

# ValkField - Double Row

## Installation manual

*Use in combination with the installation manual of the ValkPVplanner*



**Van der Valk Solar Systems**  
Solar Mounting Systems

**VAN DER VALK**



## Please note

- This manual is not project specific.
- This manual is not legally binding.
- No right may be derived from this installation manual.
- Use this manual in combination with the ValkPVplanner Project Report.
- Check 'Datasheet Cable management' for cable suggestions.
- Different types of foundation available.
- Check foundation drawing

## Table of contents

Disclaimer	Page -
Necessary tools for ValkField - Double Row	Page 01
Mounting of the U-profile	Page 02
Subassembly A	Page 03
Mounting subassembly A	Page 04
Mounting profiles	Page 05
Mounting supports	Page 06
Mounting of the end caps	Page 07
Mounting panel clamps	Page 08
Mounting of the end caps	Page 09

# Table of contents

## ValkField - Double Row

**Van der Valk Solar Systems**  
Solar Mounting Systems

**VAN DER VALK**



## Disclaimer

This installation manual must be seen in addition to the project report which shows you specific information about your project like a project drawing and ballast plan for flat roofs.

The project report is a result of the calculation tool, the ValkPVplanner. This online calculation tool and/or the project reports derived from this tool were composed with the greatest possible care. Nonetheless, it is possible that some information might not be entirely correct as the results for each project report can be based on default values, which values always need to be checked by you. The instructions provided in this project report must be observed at all times. All applicable standards and appendixes have been integrated in this online calculation tool.

All current structural, safety and building regulations must be observed. Solar mounting systems installed on roofs will be exposed to wind and snow. The building in question will be subject to a load as a result of the PV system. A design calculation must be used to establish whether or not the building will be able to withstand the extra load. Where necessary, modifications need to be made.

Flat roof systems should either be attached to the roof or need to be supported by ballast, to make sure that the system is unable to be lifted or tipped over. The ballast specified in the ValkPVplanner project report will be vital to ensure that the mounting system can be used. Flat roofs with an angle above 5 degrees must be attached to the roof.

The calculations in the online calculation tool do not take into account obstacles in the near surrounding like high buildings, cliffs and mountains. Restrictions also apply for the position of the system on a roof. The solar panels must be installed at a certain distance from edge of the roof as shown in this project report and the installation manual.

The standard warranty for pitched roof, flat roof and ground mount systems is 10 years, which can be extended under certain conditions. The guarantee provided is subject to the guarantee conditions stated in the general terms and conditions stipulated by Van der Valk Solar Systems B.V. Our terms and conditions shall apply to all our products and can be found on our website: [www.valksolarsystems.nl](http://www.valksolarsystems.nl).

Van der Valk Solar Systems B.V. does not accept any liability for any direct and/or indirect consequences of any act (or omission) ensuing from the information in or the failure to observe the instruction provided in the project report and the installation manual and for possible incorrect results resulting from the use of this online calculation tool which was made available to you.

The mounting system is a product that has been produced by:  
Van der Valk Solar Systems B.V.,  
Registered with the chamber of commerce for  
Haaglanden under number 27355116.  
Internet: [www.valksolarsystems.nl](http://www.valksolarsystems.nl)

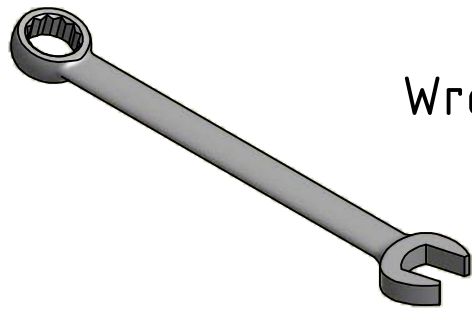
Issue date: june 2017:  
Version: General user instructions v2 EN

**Van der Valk Solar Systems**  
Solar Mounting Systems





# Necessary Tools For ValkField - Double Row



Wrench 10, 13 and 17



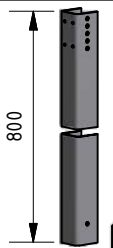
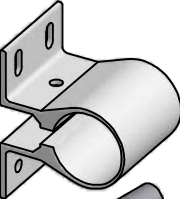
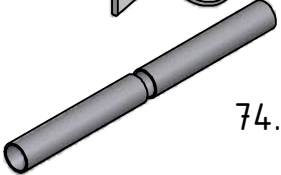




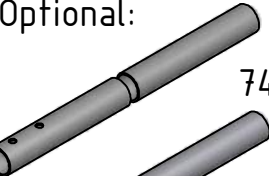
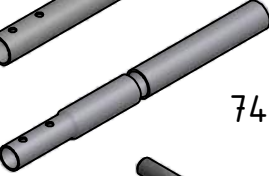


Socket 10, 13 and 17



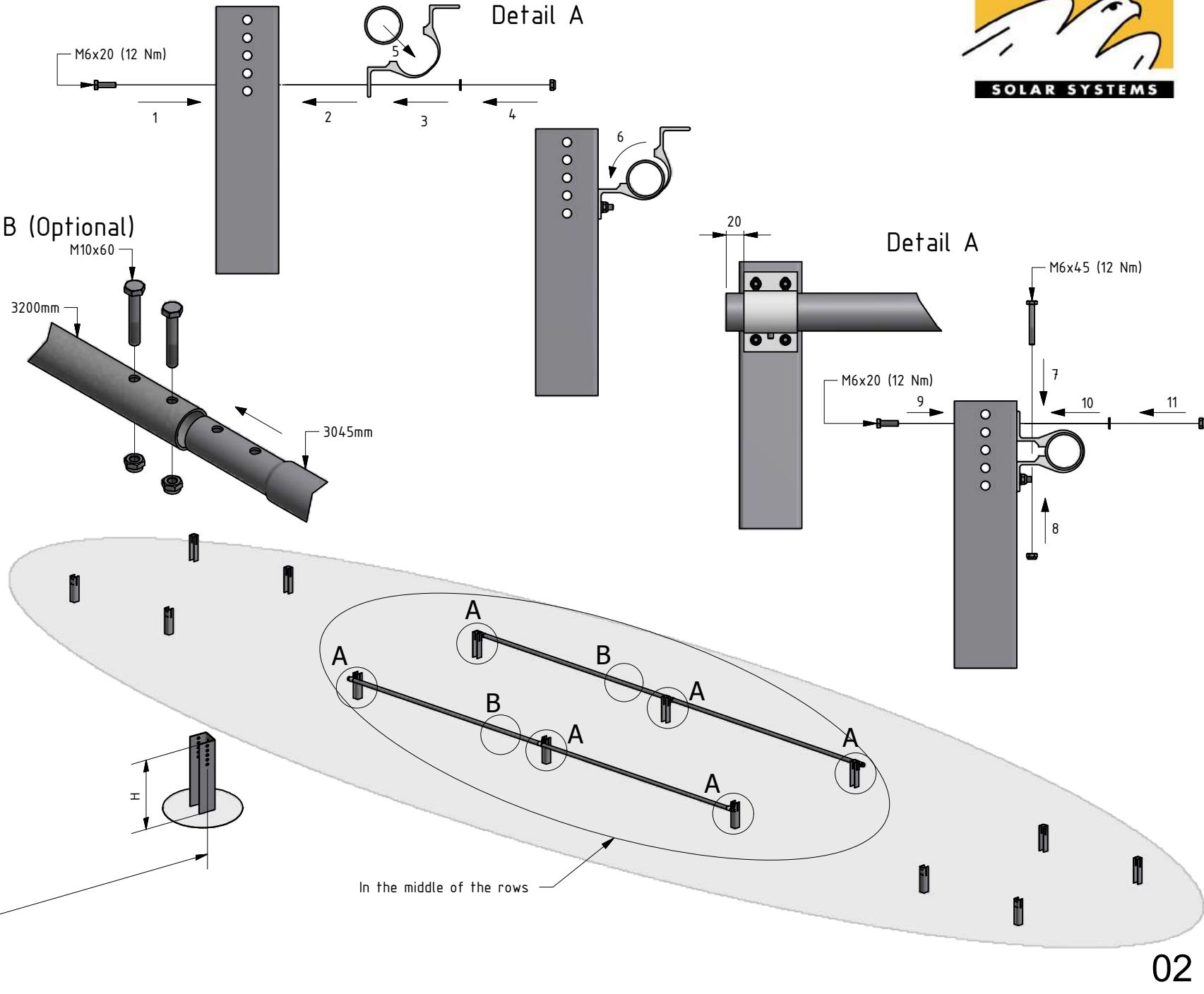
Cordless drill  
(for socket 10, 13 and 17)



Mounting of the U-profile

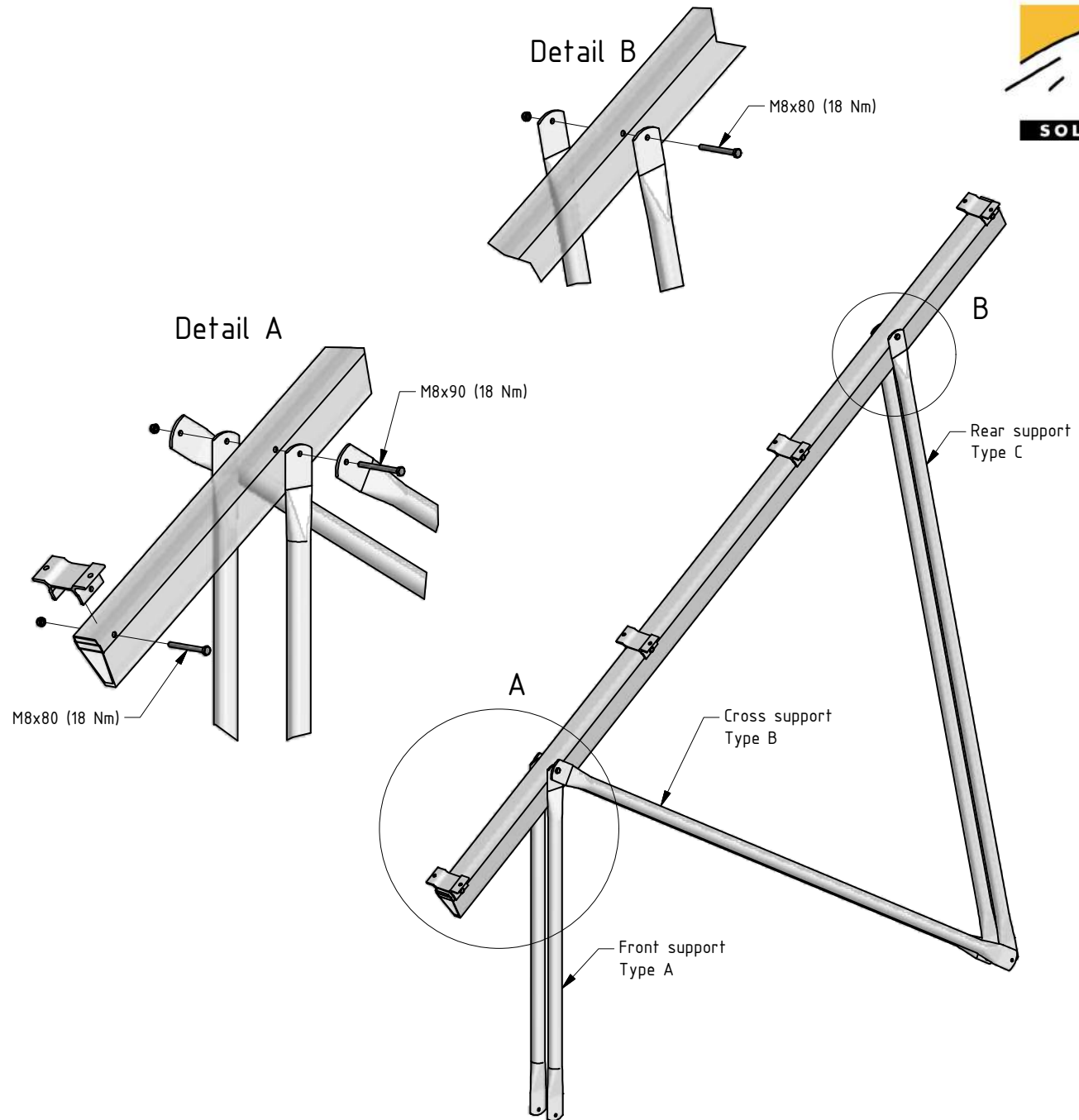
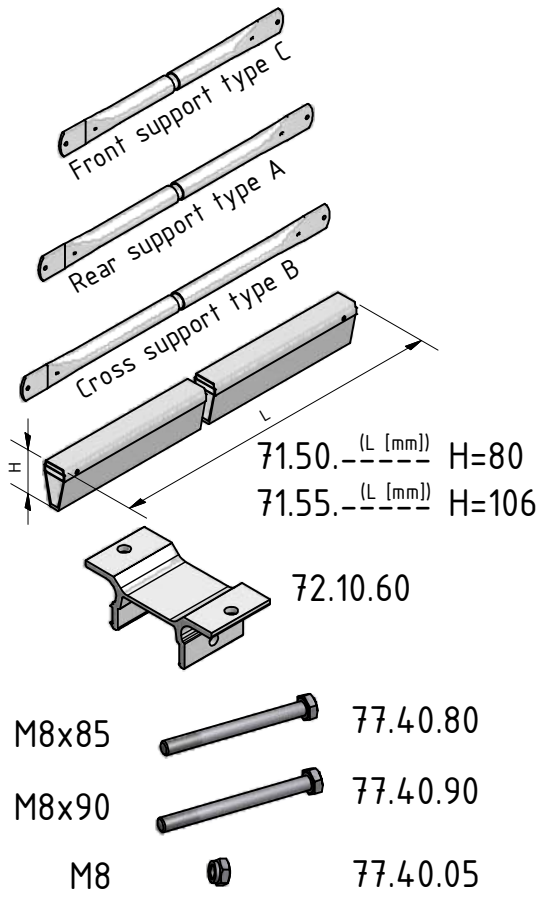
-  74.71.80
-  72.19.10
-  74.69.06100
- M6x20  77.30.20
- M6x45  77.30.45
- M6  77.30.05
- M6  77.30.07
- Optional:
-  74.62.03200
-  74.63.03045
- M10x60  77.50.60
- M10  77.50.05

B (Optional)



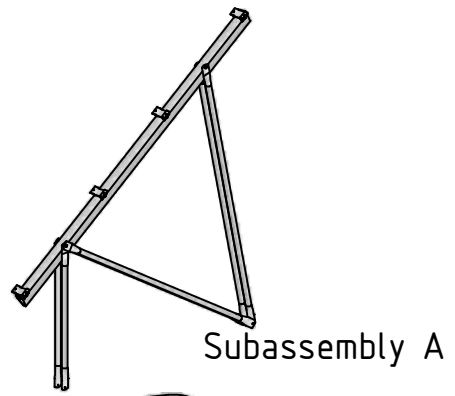
# Subassembly A

**VAN DER VALK**

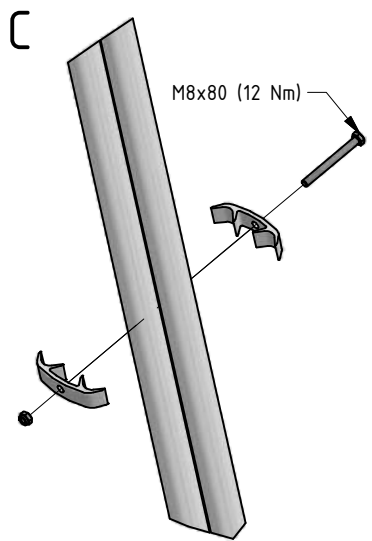
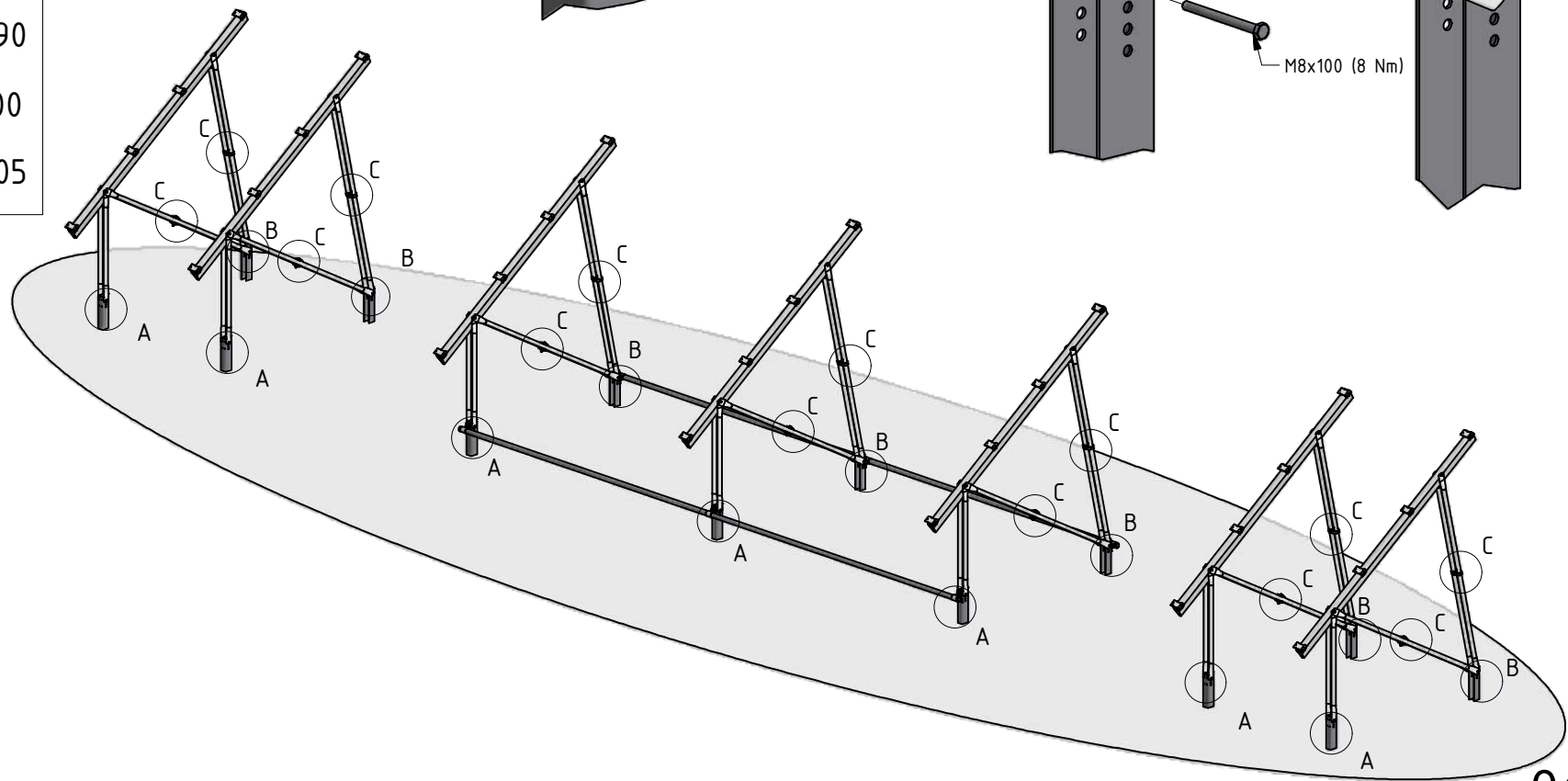
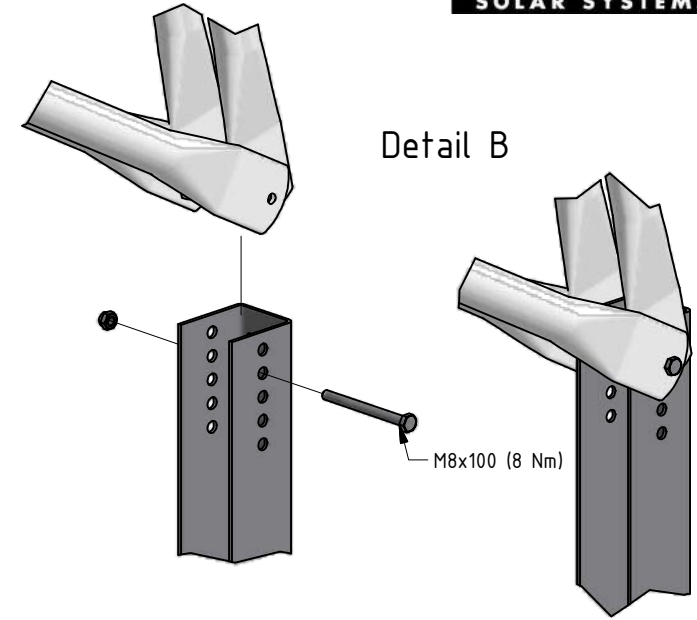
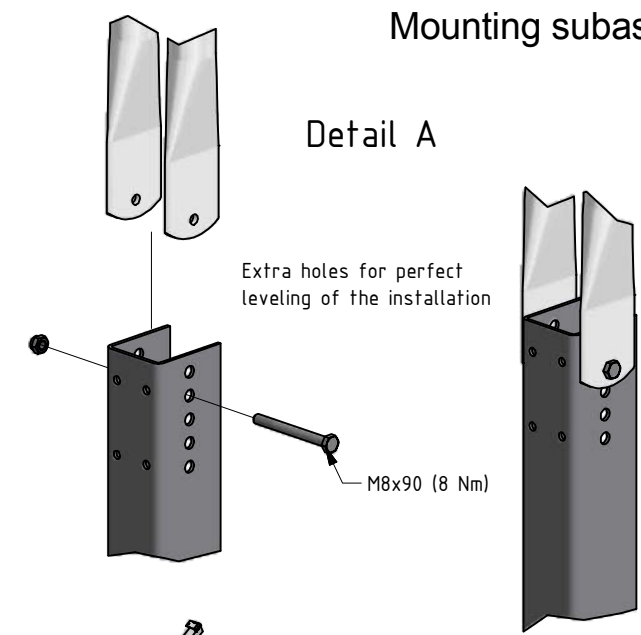


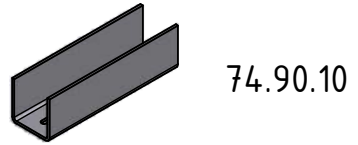
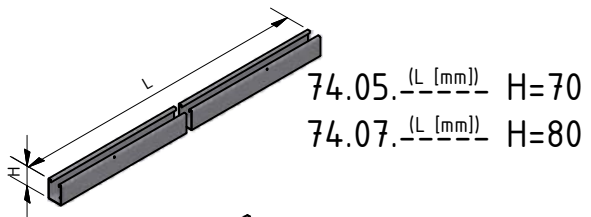


**Mounting subassembly A**

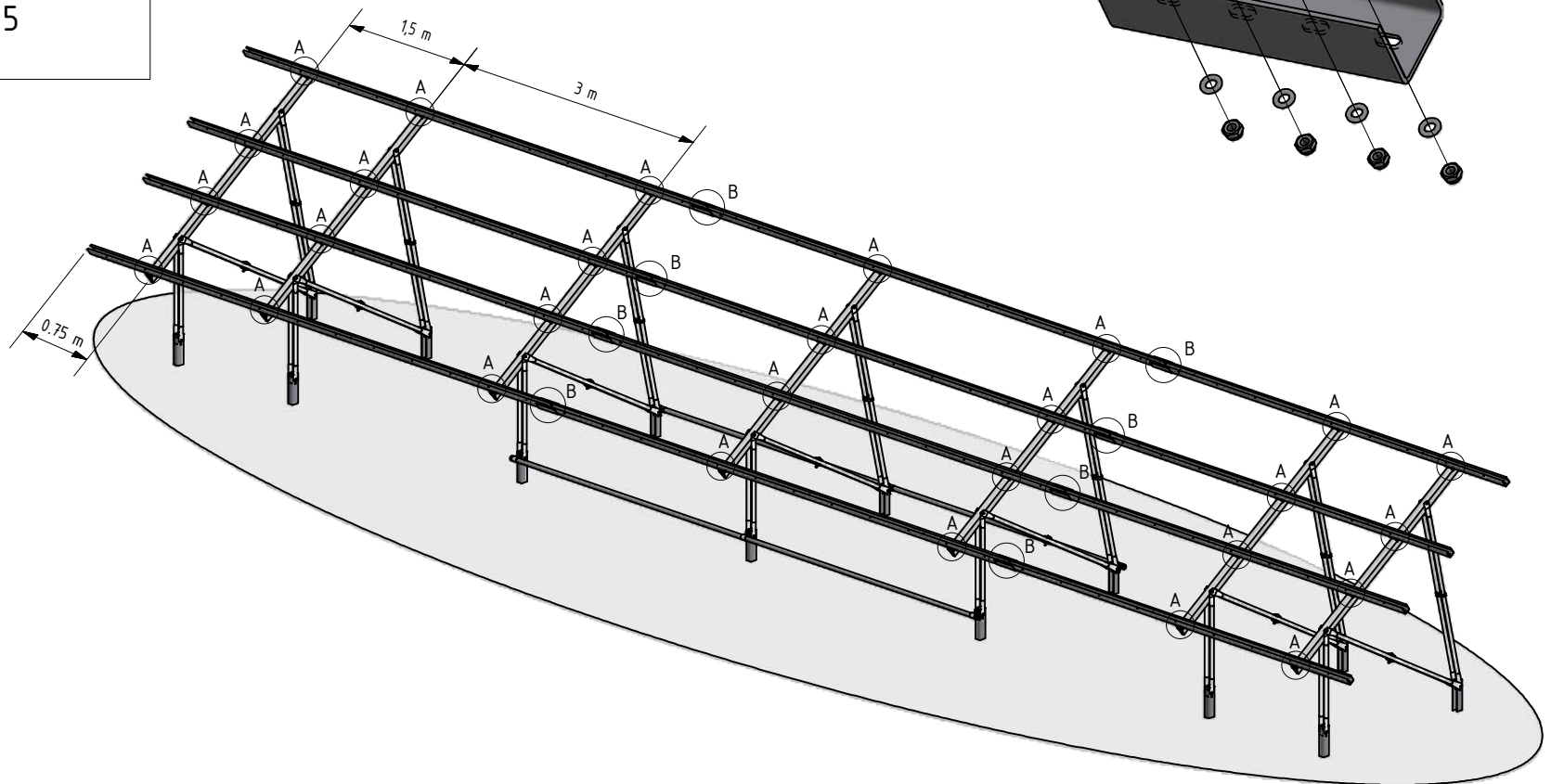
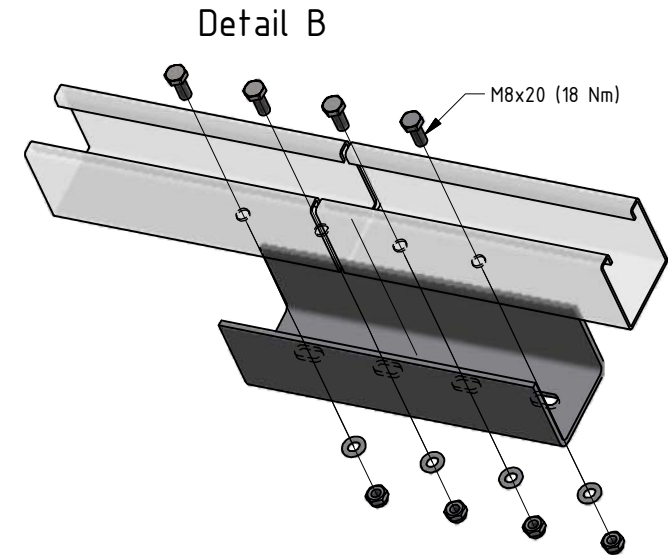
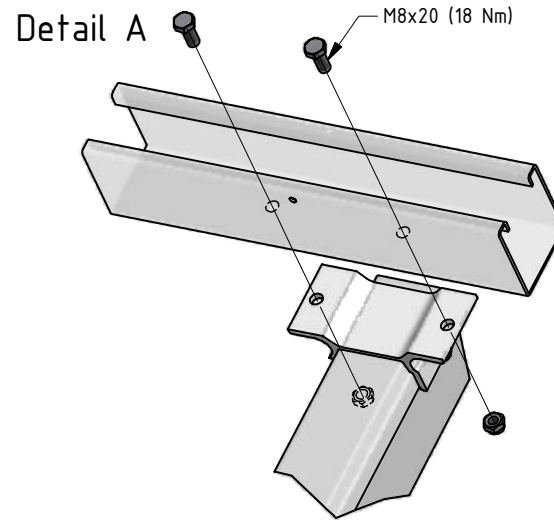


- 72.18.60
- M8x85 77.40.80
- M8x90 77.40.90
- M8x100 77.41.00
- M8 77.40.05





**Mounting profiles**

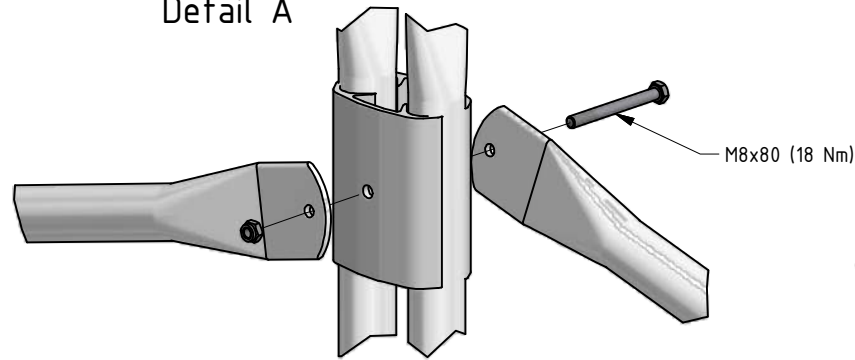




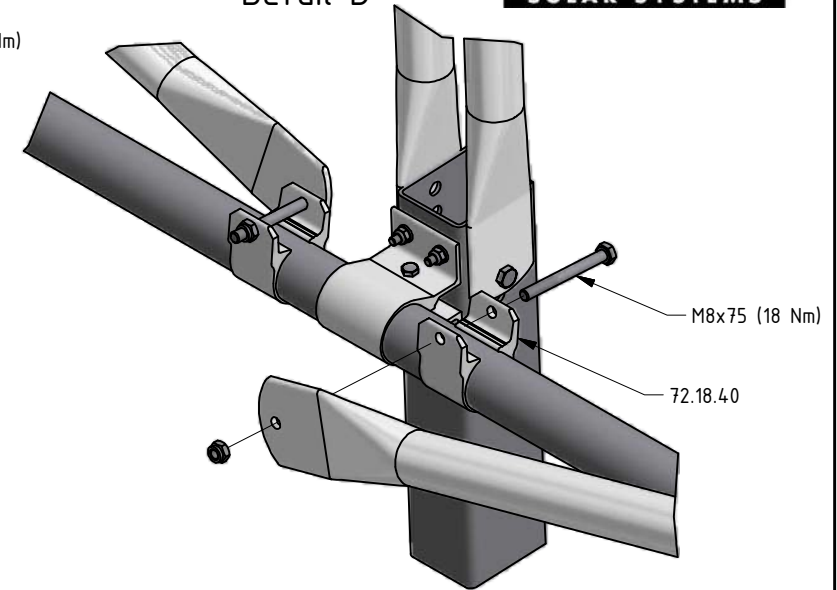


Mounting supports

Detail A



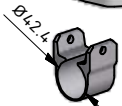
Detail B



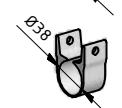
Front cross bracing type D  
Rear cross bracing type E



72.18.80

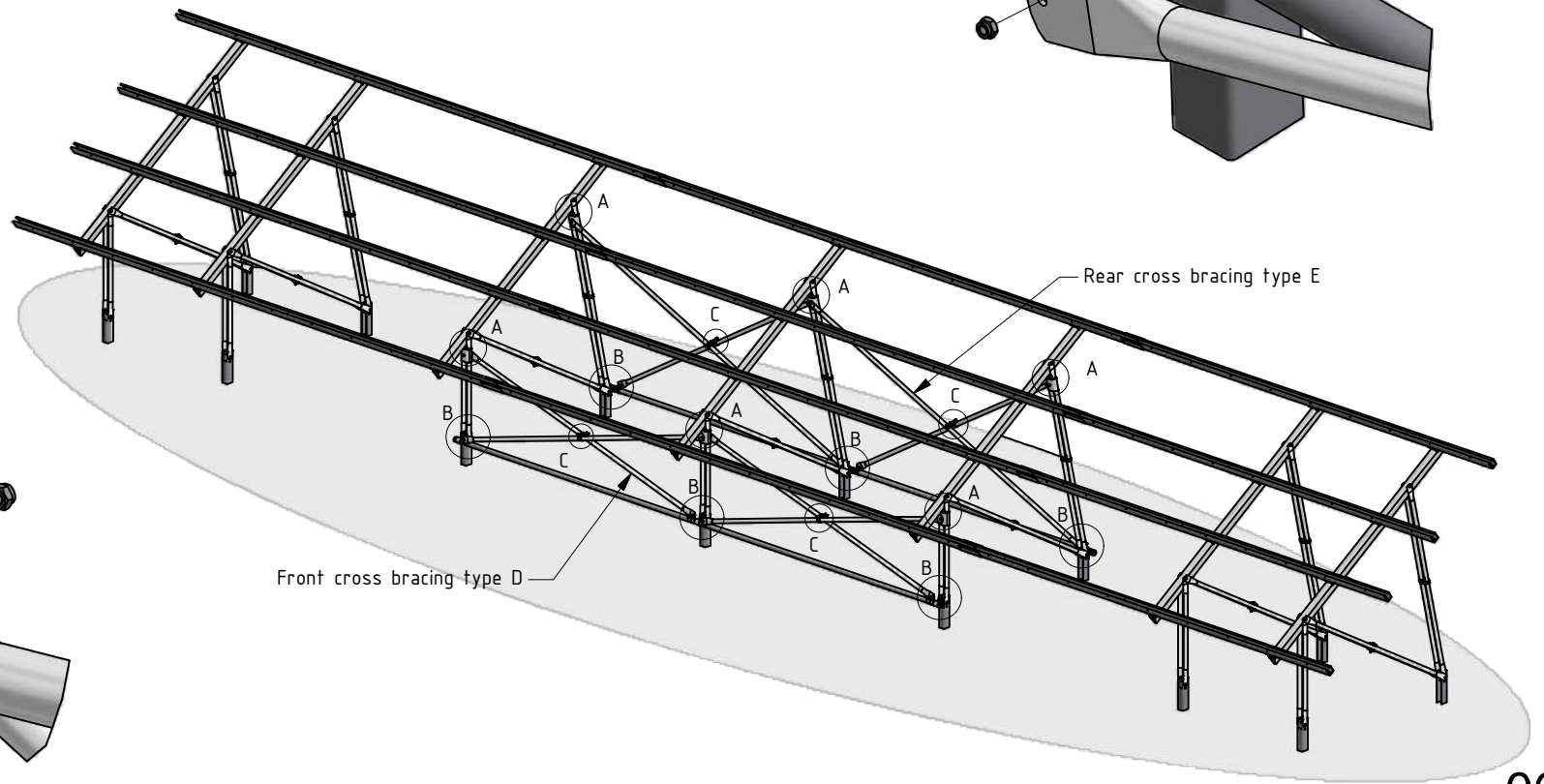


72.18.40

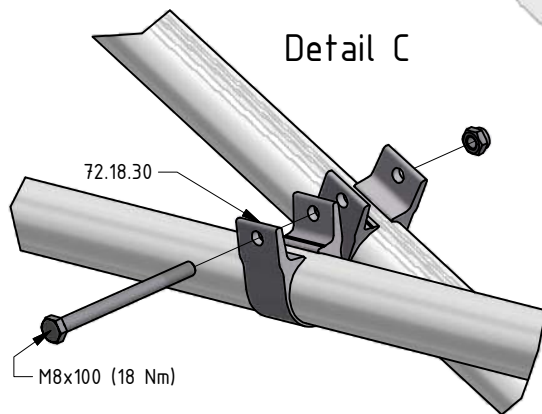


72.18.30

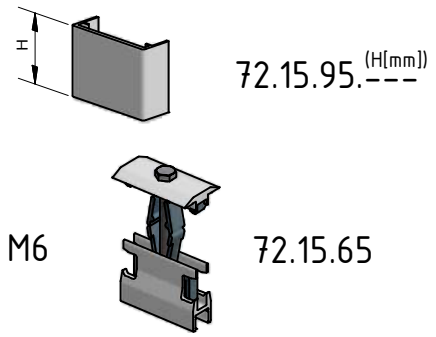
- M8x100 77.41.00
- M8x85 77.40.80
- M8x75 77.40.75
- M8 77.40.05



Detail C

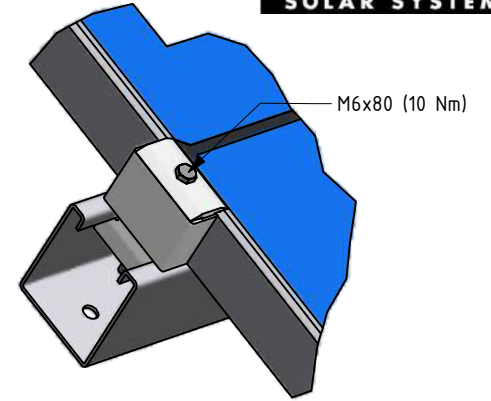
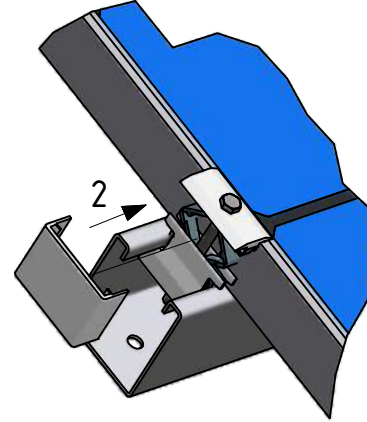
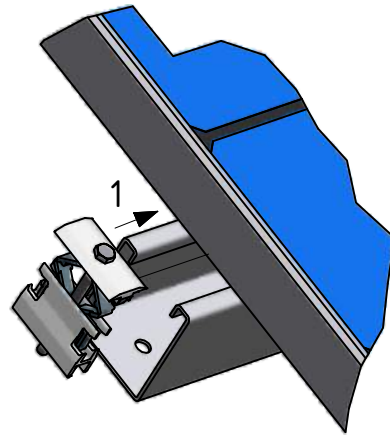


# Mounting of the end caps

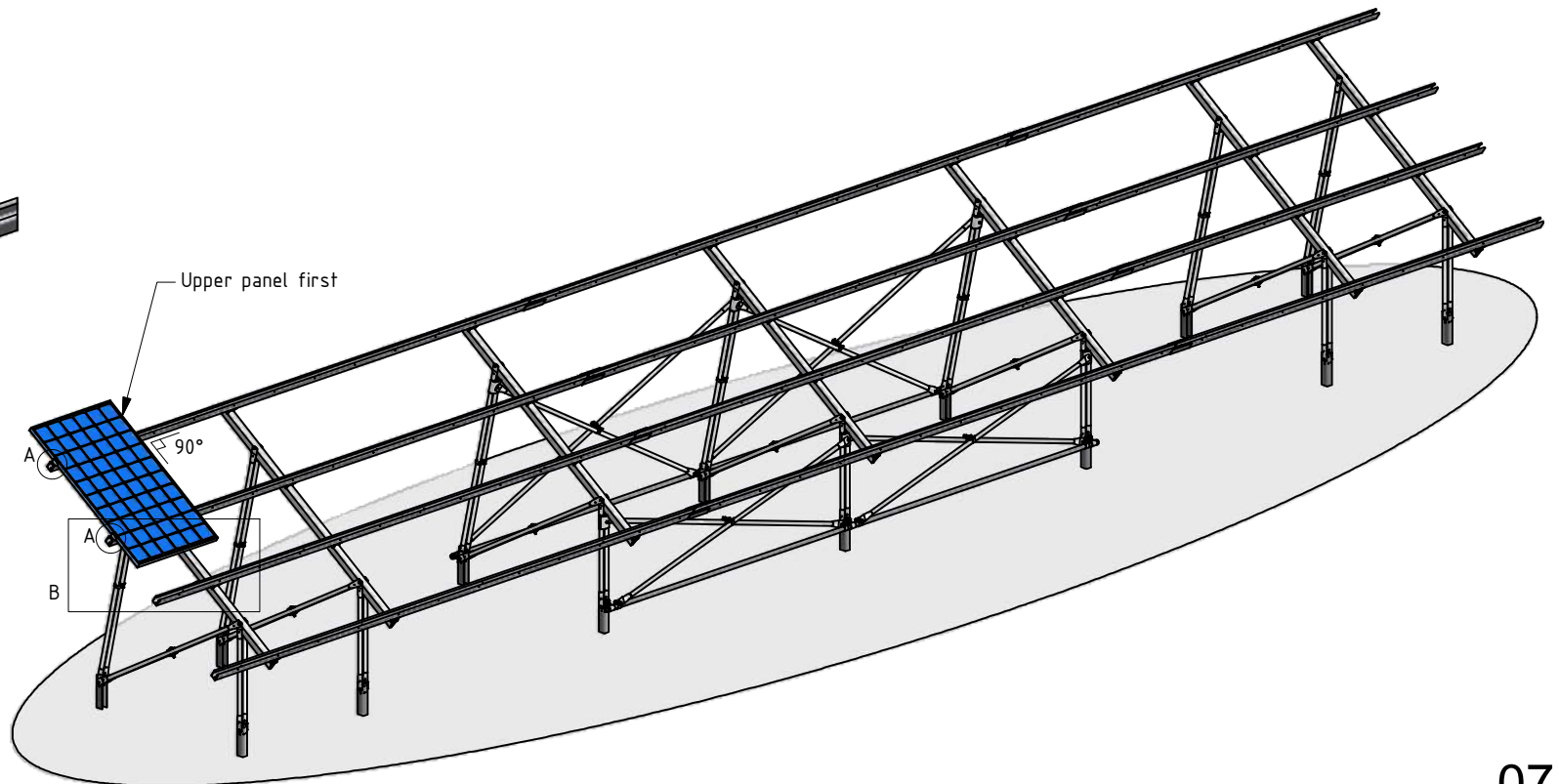
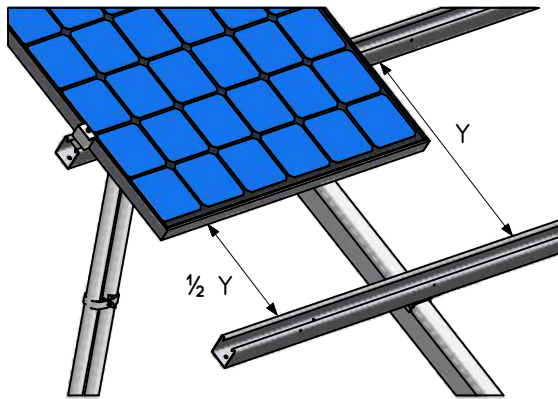


Detail A

Detail A



Detail B



M6



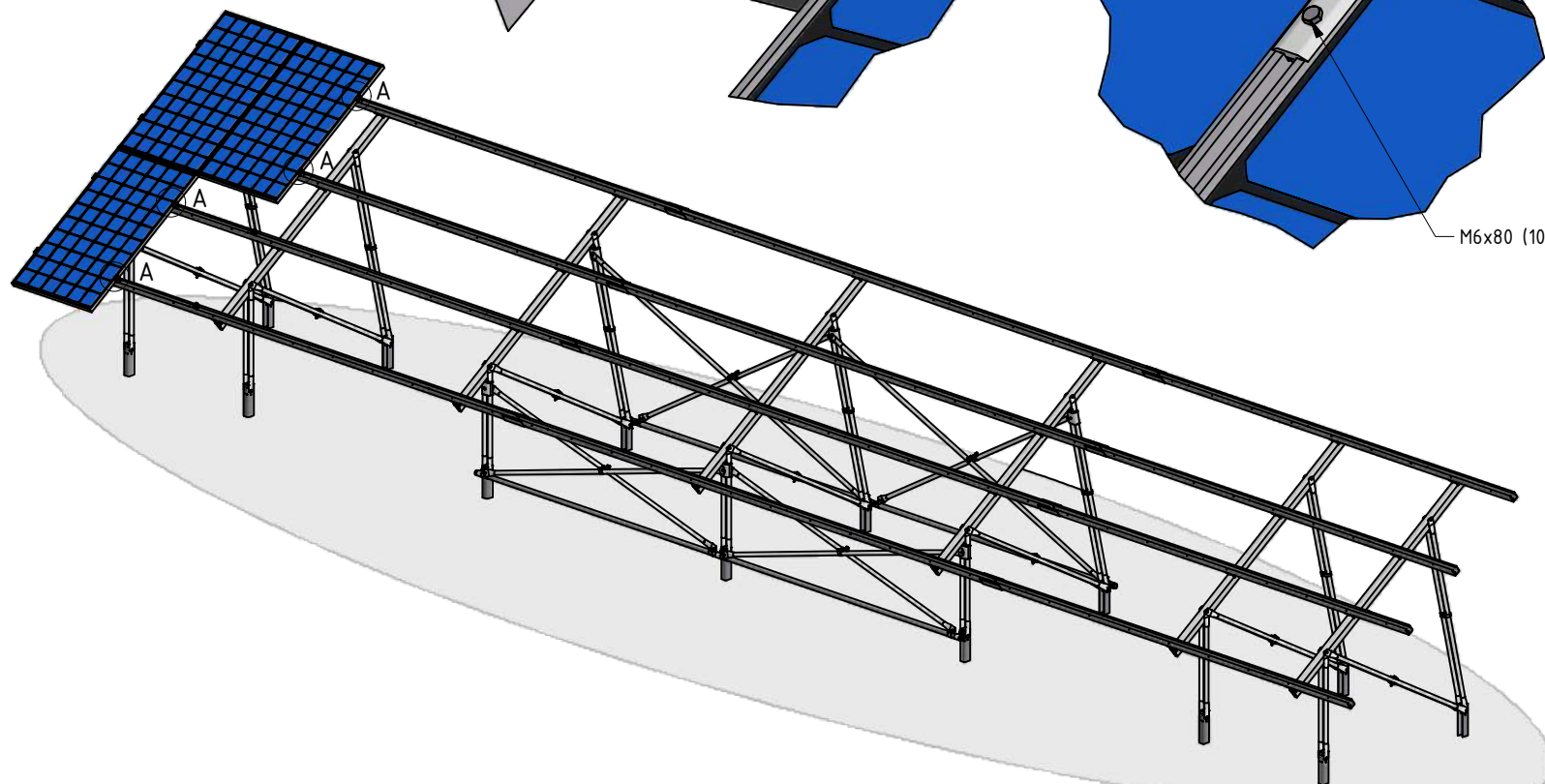
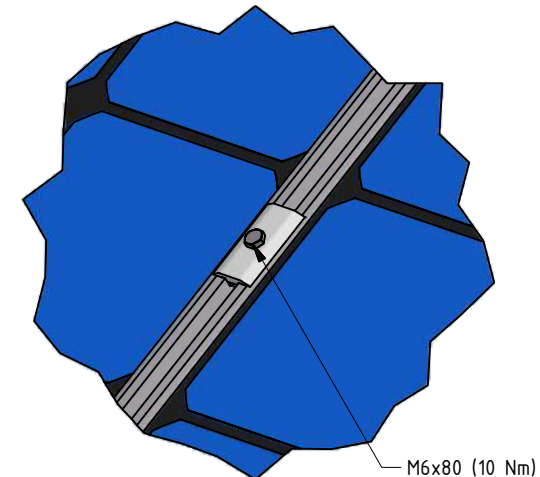
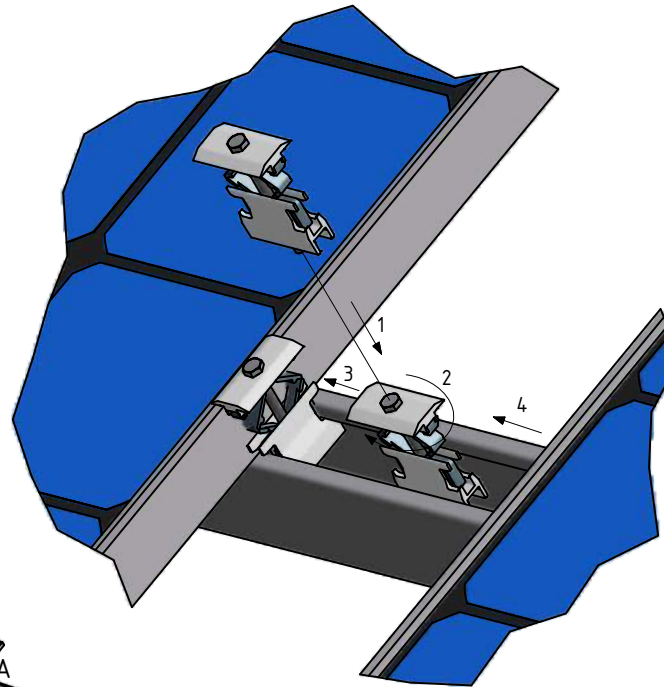
72.15.65

### Mounting panel clamps

**VAN DER VALK**



Detail A

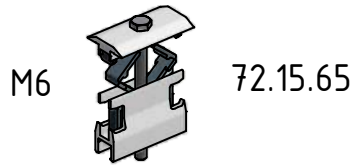
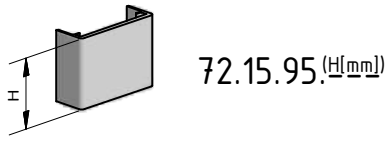


# Mounting of the end caps

**VAN DER VALK**

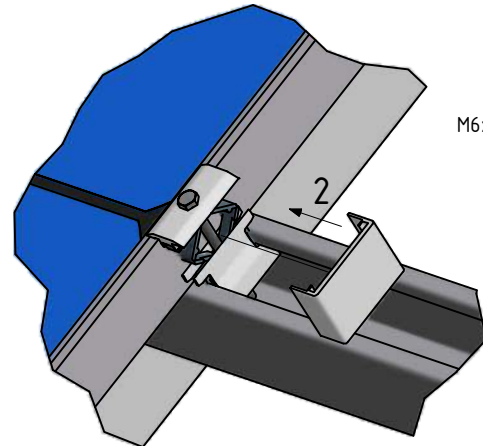
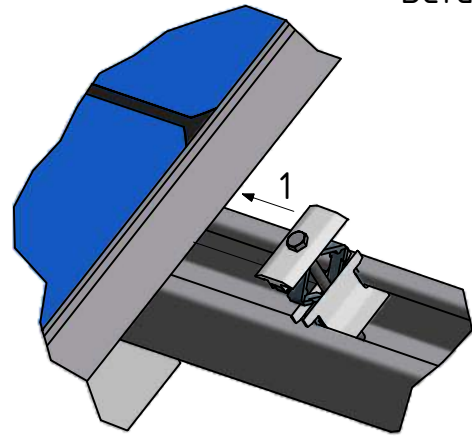


**SOLAR SYSTEMS**

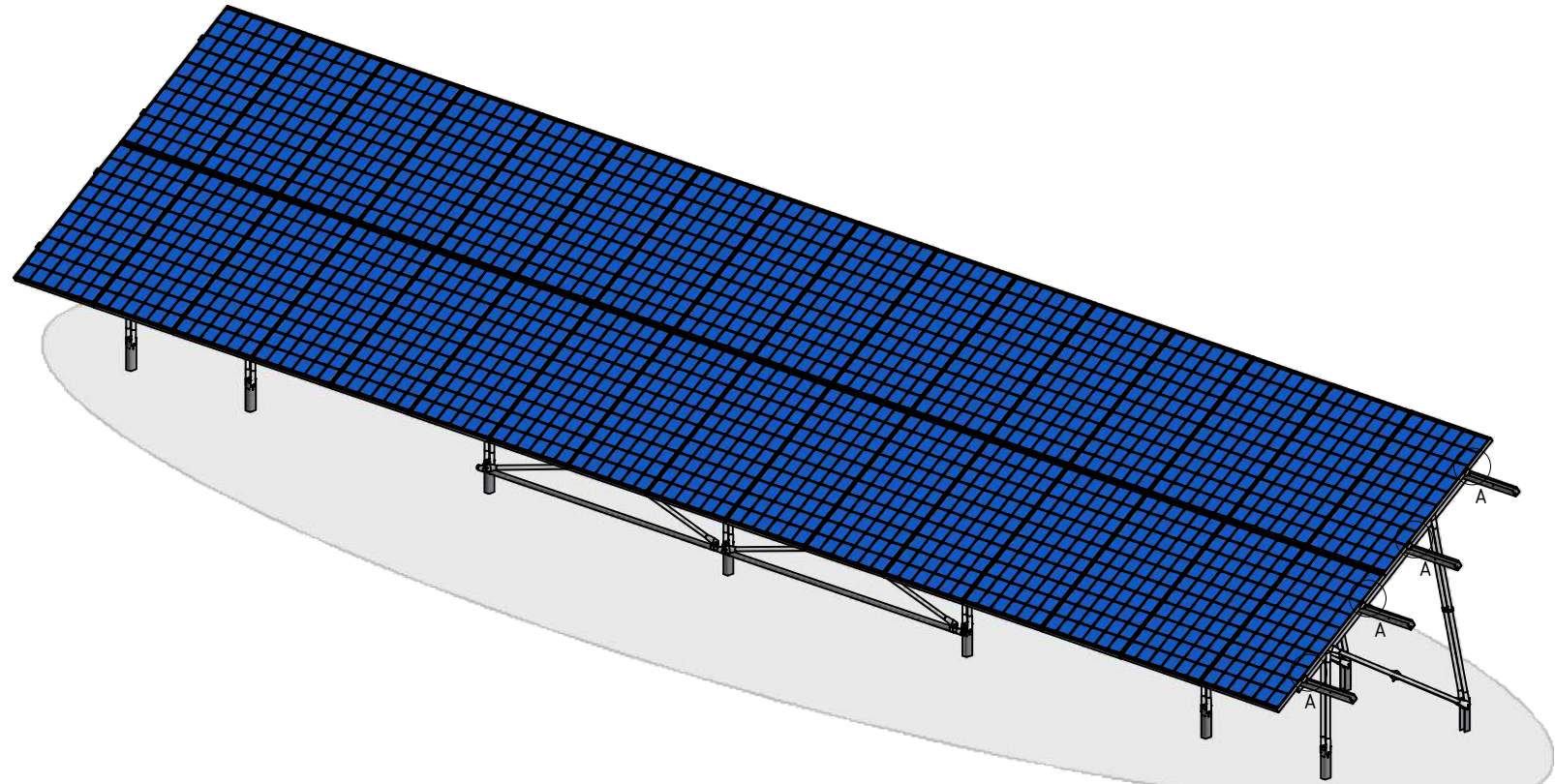
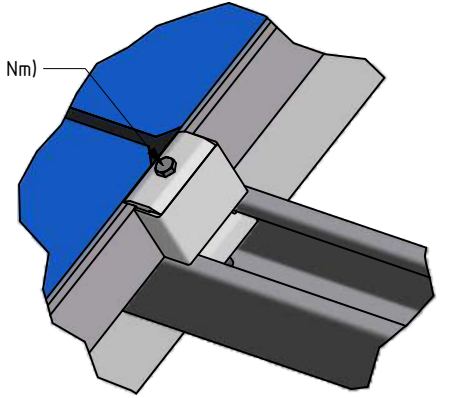


Detail A

Detail A



M6x80 (10 Nm)



## Van der Valk Solar Systems

Van der Valk Solar Systems is one of the fastest growing companies in the solar industry. It concentrates solely on developing and manufacturing solar panel mounting systems for pitched roofs, flat roofs and open fields. Van der Valk Solar Systems also has an office and warehouse located in the UK.

Our mounting systems are developed and manufactured in our own factory in the Netherlands and are distinguished by their versatile application, very fast mounting and top quality. They comply with the latest Eurocodes and thus meet the requirements set by banks and insurance companies for solar systems.

Van der Valk Solar Systems works closely together with Van der Valk Systemen, which since 1963 has upheld an international reputation in the field of mobile systems and fixation components.

Our joint industrial complex includes 20,000 m<sup>2</sup> of offices and industrial buildings. By using modern machinery and the latest technology, products and systems can be developed, manufactured and tested quickly and precisely.

### Developer and producer of solar mounting systems for:



Pitched Roofs



Flat Roofs



Open fields



Greenhouses



Water Features

Please contact Van der Valk Solar Systems, your installation company or project organisation for full information.

### Why choose Van der Valk Solar Systems?

- Innovative systems developed in compliance with applicable worldwide standards
- Fast and reliable deliveries thanks to modern machinery and large stocks
- System supplier since 1963
- Free software for project design and project calculation
- All systems applicable to any type of roof or surface
- Quick assembly thanks to premounting of essential components
- All systems available in portrait as well as landscape configuration
- Various systems also available as ready-to-use kits



Zwartendijk 73, 2681 LP Monster  
Nederland  
T +31 (0)174 21 22 23  
F +31 (0)174 24 27 27  
info@valksolarsystems.nl  
www.valksolarsystems.nl

Innovation House, Discovery Park  
Ramsgate Road, Sandwich CT13 9FF  
United Kingdom  
T +44 (0)1304 897658  
info@valksolarsystems.co.uk  
www.valksolarsystems.co.uk

# Van der Valk Solar Systems

## Solar Mounting Systems

**VAN DER VALK**



**SOLAR SYSTEMS**