

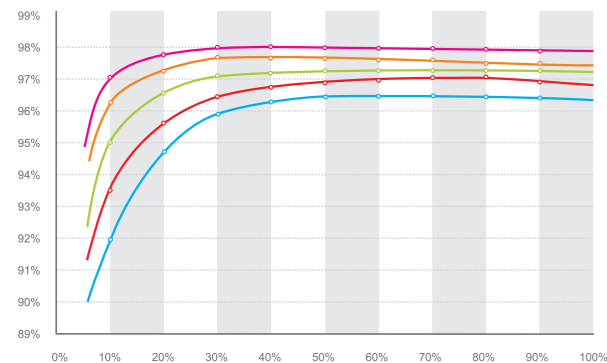


## Growatt 7000UE/8000UE/9000UE

### Leading - edge Technology

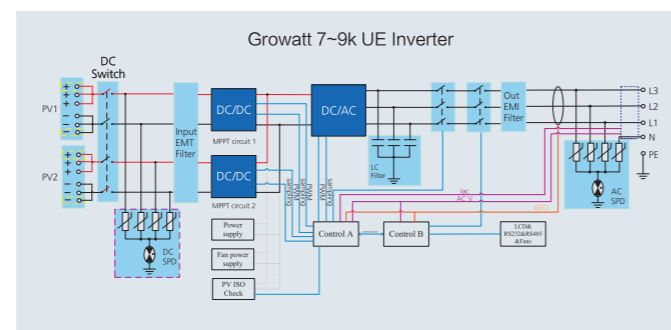
- DC input voltage up to 1000V
- Maximum efficiency of 98%
- Internal DC switch
- Transformerless
- Compact design
- Multi MPP controller
- MTL - String
- Ethernet / RF technology / WiFi
- Sound control
- Easy installation
- Comprehensive Growatt warranty program

Growatt 9000UE efficiency



575V  
600V  
700V  
800V  
900V

Growatt 7-9k UE topology



| Datasheet   | Growatt 7000UE                    | Growatt 8000UE                    | Growatt 9000UE                    |
|---|-----------------------------------|-----------------------------------|-----------------------------------|
| <b>Input Data</b>   |                                   |                                   |                                   |
| Max. DC power   | 7700W                             | 8800W                             | 9900W                             |
| Max DC voltage  | 1000V                             | 1000V                             | 1000V                             |
| Start Voltage   | 350V                              | 350V                              | 350V                              |
| PV voltage range  | 180V - 1000V                      | 180V - 1000V                      | 180V - 1000V                      |
| MPP voltage range / nominal voltage                           | 300V - 1000V / 600V               | 300V - 1000V / 600V               | 300V - 1000V / 600V               |
| Number of MPP trackers/ strings per MPP tracker               | 2/2                               | 2/2                               | 2/2                               |
| Max. input current  | 15A / 15A                         | 15A / 15A                         | 15A / 15A                         |
| Max. input current per string                                 | 15A                               | 15A                               | 15A                               |
| <b>Output (AC)</b>  |                                   |                                   |                                   |
| Rated AC output power   | 7000W                             | 8000W                             | 9000W                             |
| Max. AC apparent power  | 7000VA                            | 8000VA                            | 9000VA                            |
| Max. output current   | 11.7A                             | 13.3A                             | 15A                               |
| AC nominal voltage; range                                     | 230V/400V;<br>184 - 275V          | 230V/400V;<br>184 - 275V          | 230V/400V;<br>184 - 275V          |
| AC grid frequency; range                                      | 50-60Hz;<br>44-55Hz/54-65Hz       | 50-60Hz;<br>44-55Hz/54-65Hz       | 50-60Hz;<br>44-55Hz/54-65Hz       |
| Power factor at rated power                                   | 1                                 | 1                                 | 1                                 |
| Displacement power factor configurable                        | 0.8 leading -0.8lagging           | 0.8 leading -0.8lagging           | 0.8 leading -0.8lagging           |
| THDi (@Full load &THDv<1%)                                    | <3%                               | <3%                               | <3%                               |
| AC connection   | 3/N/PE, 3W+PE(Opt)                | 3/N/PE, 3W+PE(Opt)                | 3/N/PE, 3W+PE(Opt)                |
| <b>Efficiency</b>   |                                   |                                   |                                   |
| Max. efficiency   | 98%                               | 98%                               | 98%                               |
| Euro - eta  | 97.0%                             | 97.2%                             | 97.5%                             |
| MPPT efficiency   | 99.5%                             | 99.5%                             | 99.5%                             |
| <b>Protection Devices</b>                                     |                                   |                                   |                                   |
| DC reverse polarity protection                                | yes                               | yes                               | yes                               |
| DC switch for each MPPT                                       | yes                               | yes                               | yes                               |
| Output AC overcurrent protection                              | yes                               | yes                               | yes                               |
| Output AC overvoltage protection - varistor                   | yes                               | yes                               | yes                               |
| Ground fault monitoring                                       | yes                               | yes                               | yes                               |
| Grid monitoring   | yes                               | yes                               | yes                               |
| Integrated all-pole sensitive leakage current monitoring unit | yes                               | yes                               | yes                               |
| <b>General Data</b>   |                                   |                                   |                                   |
| Dimensions (W / H / D)  | 490/740/235 mm                    | 490/740/235 mm                    | 490/740/235 mm                    |
| Weight  | 41kg                              | 41kg                              | 41kg                              |
| Operating temperature range                                   | -25 °C ... +60 °C                 | -25 °C ... +60 °C                 | -25 °C ... +60 °C                 |
| Noise emission (typical)                                      | ≤55 dB(A)                         | ≤ 55 dB(A)                        | ≤ 55 dB(A)                        |
| Self-Consumption (night)                                      | < 0.5W                            | < 0.5W                            | < 0.5W                            |
| Topology  | Transformerless                   | Transformerless                   | Transformerless                   |
| Cooling concept   | Smart cooling                     | Smart cooling                     | Smart cooling                     |
| Environmental Protection Rating                               | IP65                              | IP65                              | IP65                              |
| Altitude  | 2000m without derating            | 2000m without derating            | 2000m without derating            |
| Relative Humidity   | 0~100%                            | 0~100%                            | 0~100%                            |
| <b>Features</b>   |                                   |                                   |                                   |
| DC connection   | H4/MC4(opt)                       | H4/MC4(opt)                       | H4/MC4(opt)                       |
| AC connection   | Screw terminal                    | Screw terminal                    | Screw terminal                    |
| Display   | LCD                               | LCD                               | LCD                               |
| Interfaces: RS232/R485/ LAN/RF/WiFi/GPRS                      | yes / yes / opt / opt / opt / opt | yes / yes / opt / opt / opt / opt | yes / yes / opt / opt / opt / opt |
| Warranty:5 years / 10 years                                   | yes / opt                         | yes / opt                         | yes / opt                         |
| <b>Certificates and Approvals</b>                             |                                   |                                   |                                   |

VDE-AR-N4105, CE, VDE 0126-1-1, IEC 62109-1/-2, AS4777, AS/NZS 3100, IEC61727, IEC62116, G83, EN50438