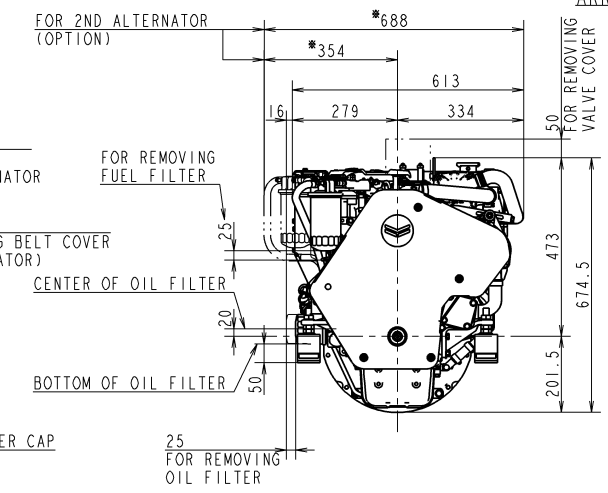
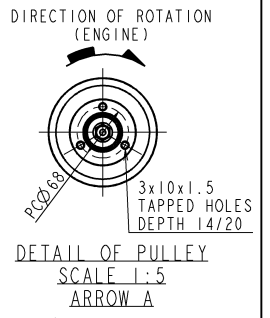
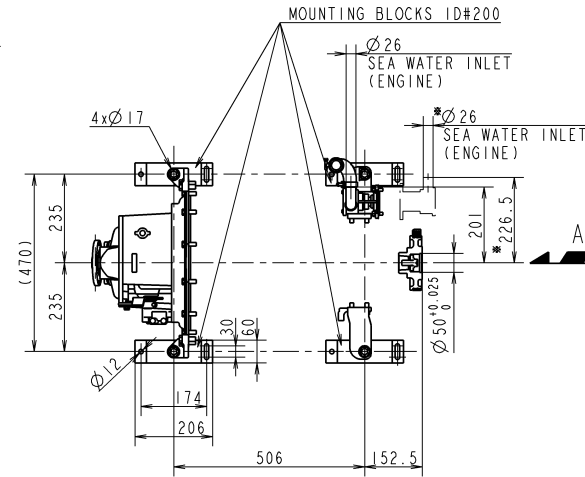
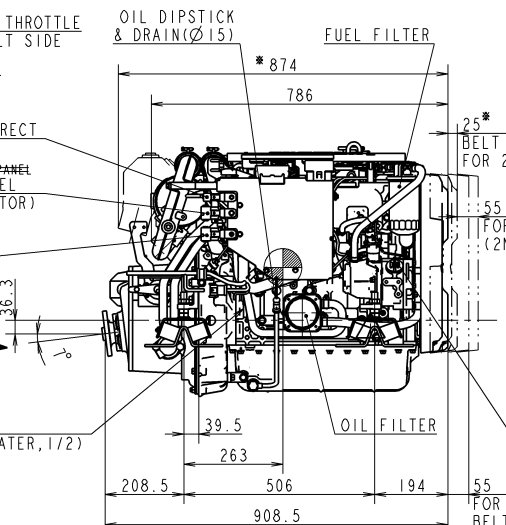
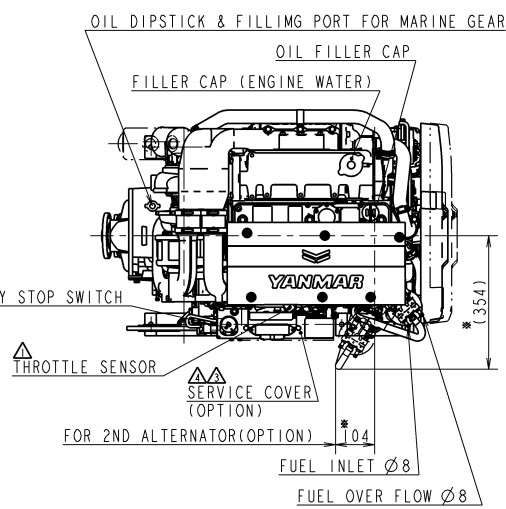
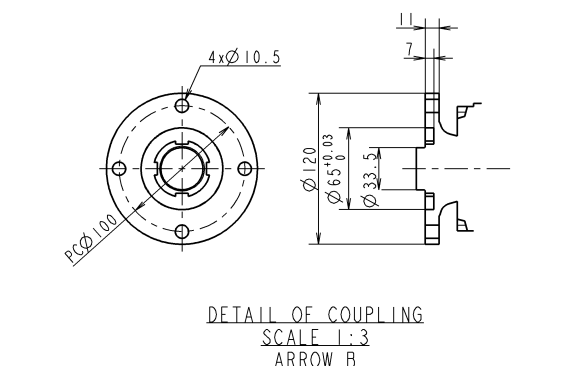
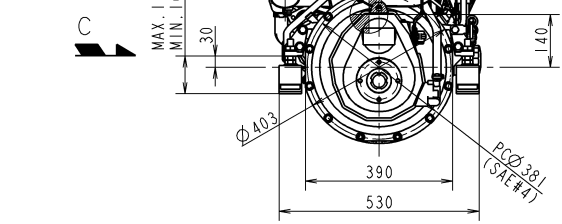
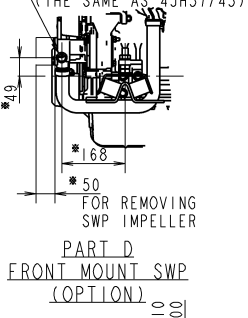
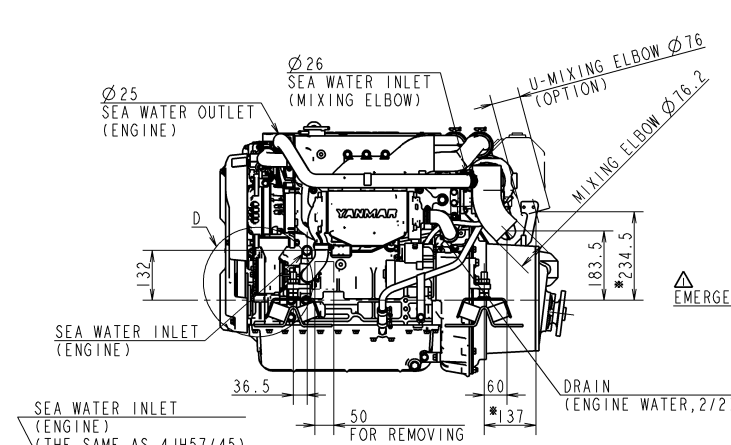


CAREER

図1形 YDSBD-14004にのみ本図適用する。
 1改 (2014.6.30)
 ・スロットルセンサ位置追加
 ・ベルトレイン3Dモデル(フロント機水用)追加
 ・緊急停止スイッチ位置追加
 ・各コネクタ位置追加
 (YDSBD-14012)(概由)
 2改 (2014.7.18)
 ・コネクタ位置の誤記を訂正する。(YDSBD-14015)(概由)
 3改 (2016.4.11)
 ・サービスカバーオプション設定。(YDSBD-16002)(概由)
 REV.4(2018.3.20) CHANGE TOP COVER AND BELT COVER (YDSBD-18002)



NOTE
 1. MOUNTING BLOCKS ARE COMPRESSED ABOUT 4mm BY ENGINE WEIGHT.
 2. DIMENSIONS OF MOUNTING BLOCK IN THIS DRAWING ARE WITHOUT ANY DEFORMATION.
 3. THE FIGURES MARKED WITH * SHOW THE DIMENSIONS WITH U-MIXING ELBOW, OR OPTIONAL PARTS.
 4. Ⓞ SHOWS THE CENTER OF GRAVITY.

SPECIFICATIONS				
Model	4JH110	4JH80		
Continuous Power (ISO 8665)	kW/min ⁻¹	73.6 / 3101	53.5 / 3101	
Fuel Stop Power	Propeller shaft (ISO 8665)	kW/min ⁻¹	---	
	Crankshaft (ISO 8665)	kW/min ⁻¹	80.9 / 3200	58.8 / 3200
Reduction ratio		1.47 2.14 2.63	1.47 2.14 2.63	
Dry mass	kg	Approx. 263		
Direction of Rotation at Output Coupling (Forward)		BOTH		

SEC. MANAGER 北本	CHECKED 北本	DESIGNED Y. Nuta	DRAWN A. Hori	DATE: Y.M.D 2014.3.17	MODEL 4JH110 4JH80	QTY -	SCALE 1:10	MATERIAL OUTLINE, 4JH110-KM4A2
<p>YANMAR</p> <p>YANMAR CO., LTD. DEVELOPMENT DIV.</p>								CODE 1改 2改 3改 REV.4 B2-29677-0021