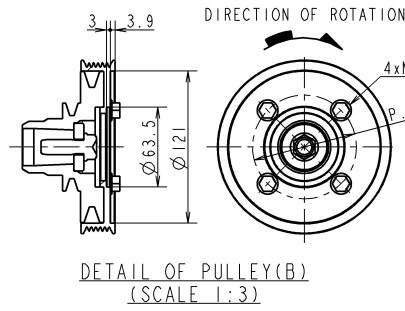
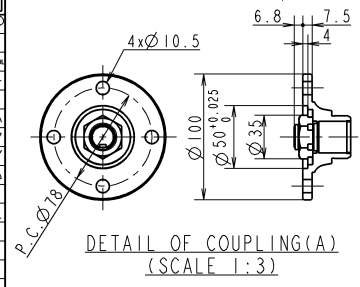
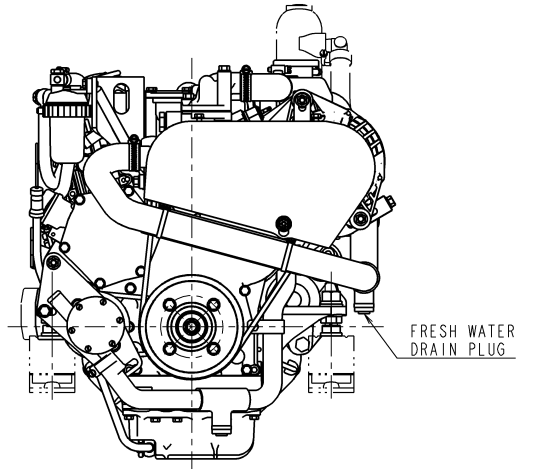
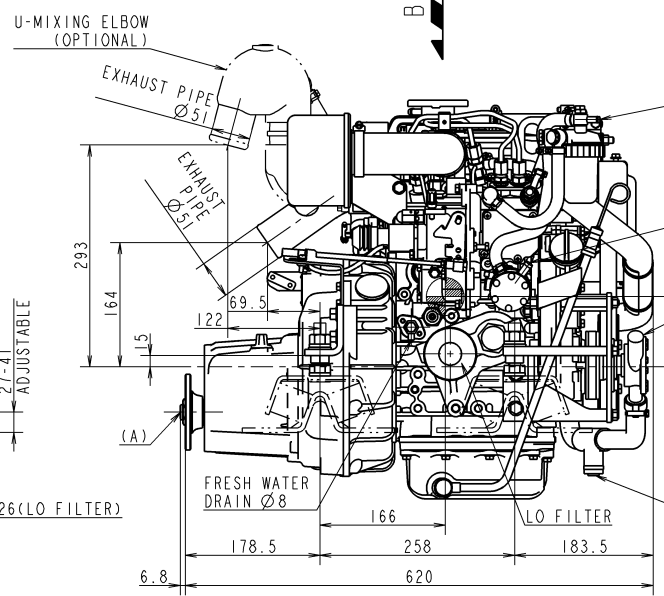
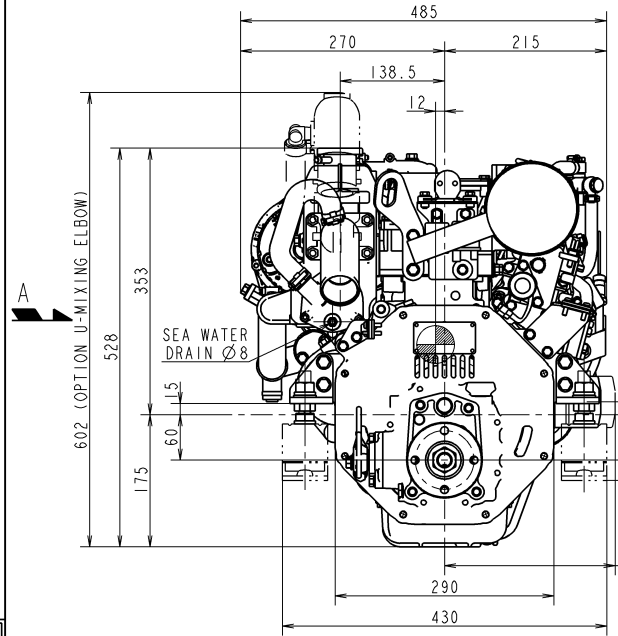
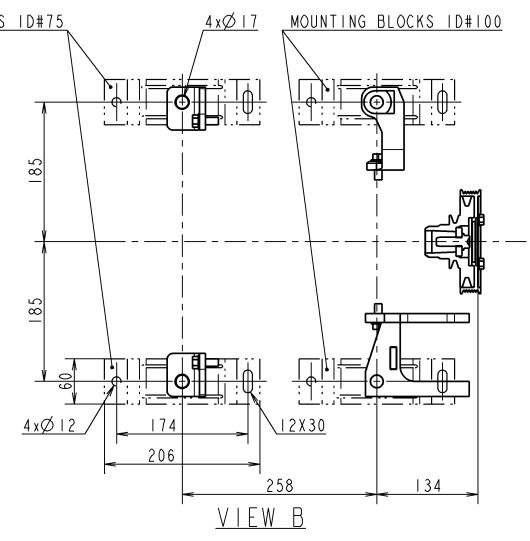
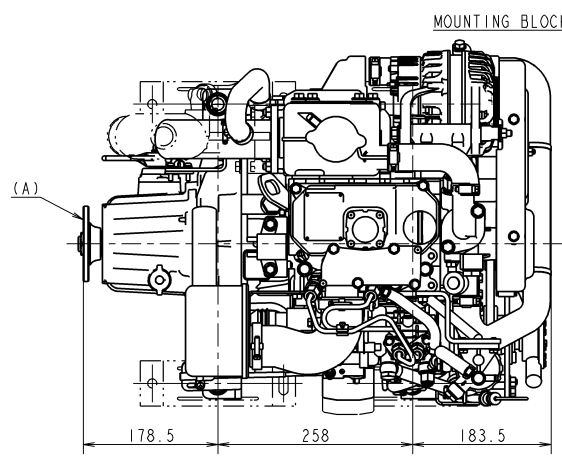
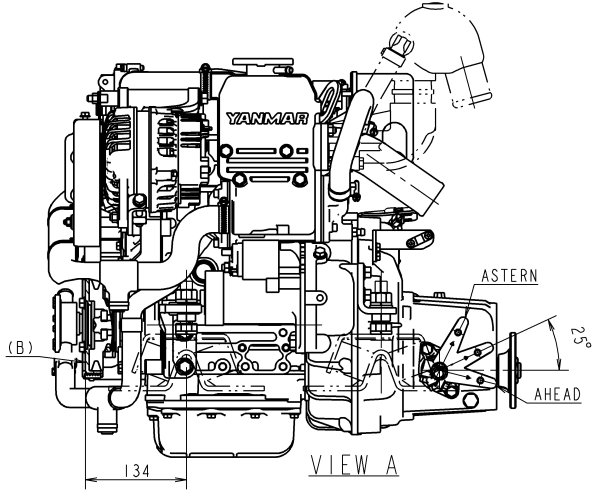


CAREER

CODE 2. CHANGE ALTERNATOR AND CRANK PULLEY (YDSBD-12009)
 REV.1 (2015.1.26)
 CHANGE SEAWATER PUMP BRACKET, CHANGE VIEW LAYOUT. (YDSBD-14022)(SHIGA)
 REV.2 (2018.11.27)
 CHANGE HOSE BRACKET (YDSBD-18019)(SHIGA)



NOTE
 1. DWG. SHOWS MOUNTING BLOCKS AT ORIGINAL HEIGHT.
 2. ENGINE WEIGHT WILL COMPRESS BLOCKS BY 4.5mm (APPROX.).
 3. MOUNTING BLOCKS ARE EQUIPPED FOR STANDARD ACCESSARY.
 4. ● SHOWS CENTER OF GRAVITY

SPECIFICATIONS	
MODEL	2YM15
Continuous Power (ISO8665) kW/min ⁻¹	9.1/3489
Fuel Stop Power/Crankshaft (ISO8665) kW/min ⁻¹	10.0/3600
Reduction Ratio	2.21 2.62 3.22
Engine Mass with marine gear KM2P-1	kg Approx. 113
Direction Of Propeller Shaft Rotation	Clockwise

SEC. MANAGER 吉崎	MODEL	2YM15	SCALE	1:5
CHECKED 北本	SPECIALIST	QTY	MATERIAL	-
DESIGNED K. Shiga	DATE: Y.M.D	2YM15XKM2P1 OUTLINE		
DRAWN		DATE: Y.M.D	2012.11.26	
			REV.1/REV.2	SCALE
YANMAR CO., LTD. DEVELOPMENT DIV.			CODE	B2-28790-0012

MANAGER
山口