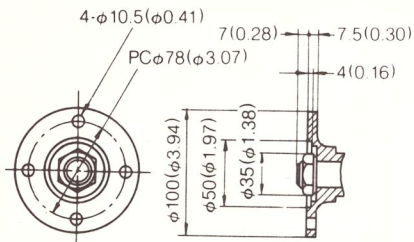
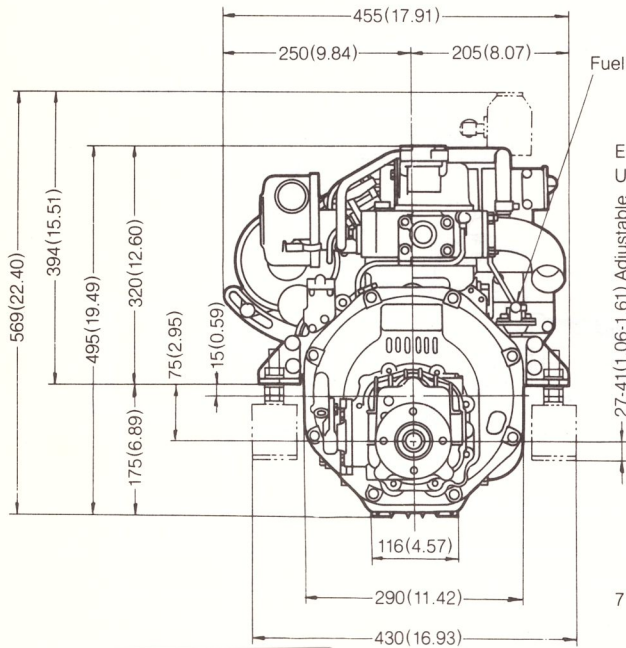
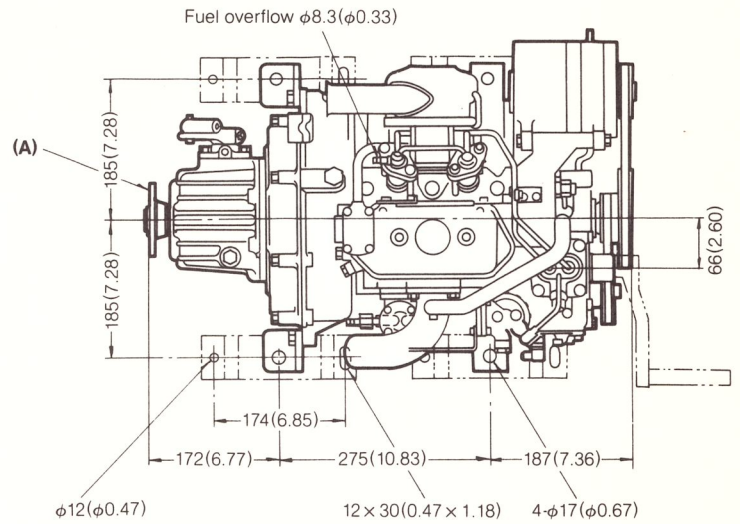


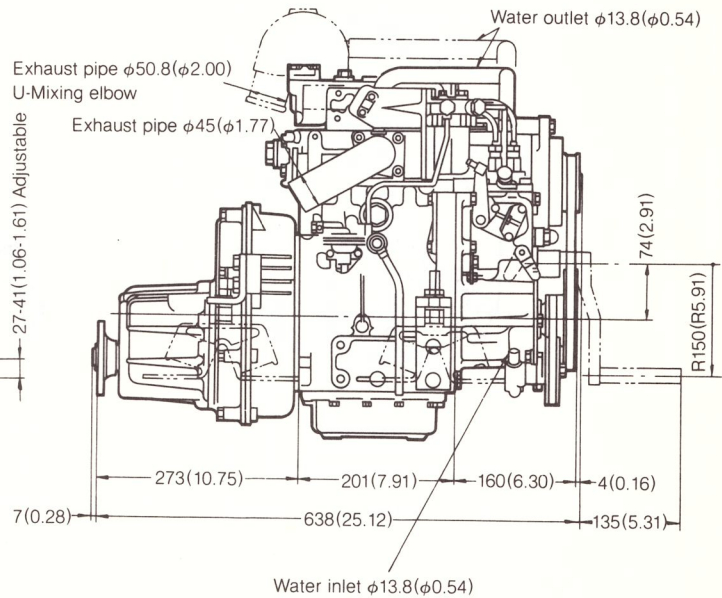
6-2 2GM20



Detail of coupling (A)



Fuel inlet φ8.3(φ0.33)



Exhaust pipe φ50.8(φ2.00)
U-Mixing elbow
Exhaust pipe φ45(φ1.77)

Water inlet φ13.8(φ0.54)

