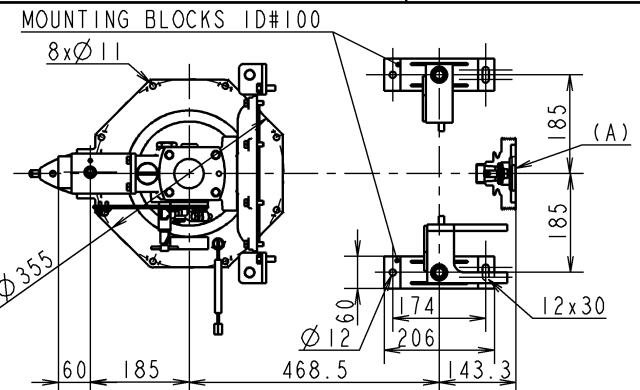
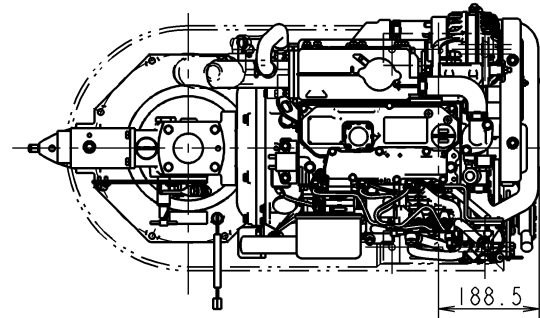
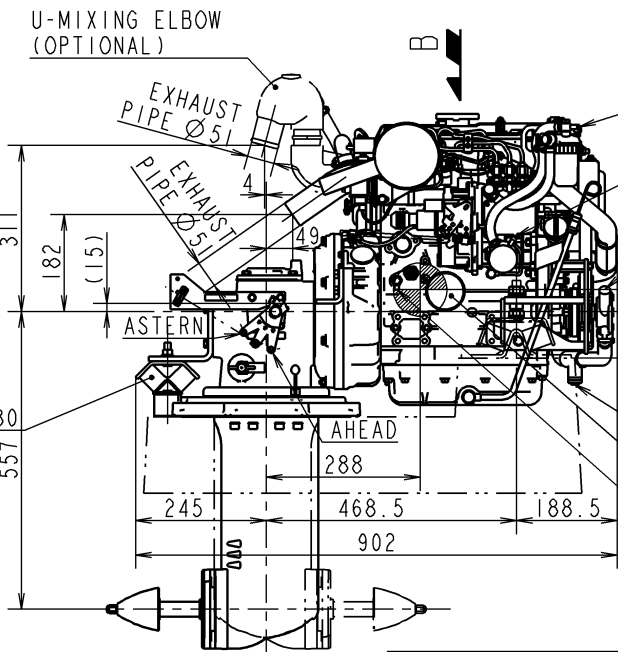
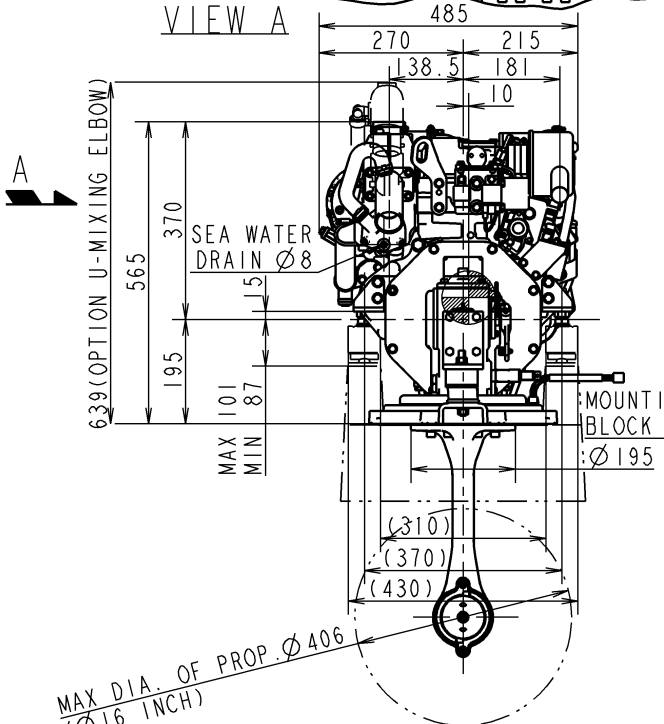


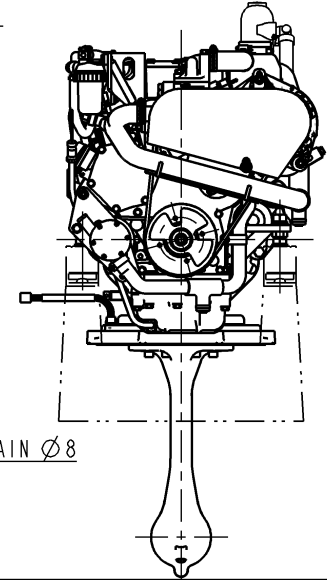
VIEW A



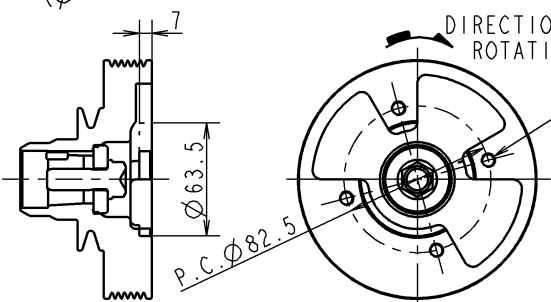
VIEW B



FUEL OVERFLOW $\varnothing 8.0$
 FUEL INLET $\varnothing 8.3$
 WATER INLET $\varnothing 19.5$
 SEA WATER DRAIN PLUG
 LO FILTER
 FRESH WATER DRAIN $\varnothing 8$



MAX DIA. OF PROP $\varnothing 406$
 ($\varnothing 16$ INCH)



DETAIL OF PULLEY(A)
 (SCALE 1:3)

- NOTE
1. DWG. SHOWS MOUNTING BLOCKS AT ORIGINAL HEIGHT.
 2. ENGINE WEIGHT WILL COMPRESS BLOCKS BY 4.5mm (APPROX.).
 3. MOUNTING BLOCKS ARE EQUIPPED FOR STANDARD ACCESSARY.
 4. SHOWS CENTER OF GRAVITY.

SPECIFICATIONS			
MODEL	3YM30AE		MANAGER
Continuous Power	(ISO8665)kW/min ⁻¹	19.4/3101	
Fuel Stop Power	Crankshaft (ISO8665)kW/min ⁻¹	21.3/3200	
Reduction Ratio		2.64	
Engine Mass with sail drive SD25	kg	Approx.157	
Direction Of Propeller Shaft Rotation		Clockwise	11/口
SEE-MANAGER 三司	CAREER REV.1(2015.1.26) CHANGE VIEW LAYOUT. (YDSBD-14022)(SHIGA)	MODEL 3YM30AE	SCALE 1:10
CHECKED 北本	SPECIALIST REV.2(2018.11.27)ADD SD25R, CHANGE HOSE BRACKET (YDSBD-18019)(SHIGA)	QTY -	MATERIAL -
DESIGNED 志賀	DRAWN 垣立	NAME 3YM30AEXSD25 OUTLINE	
DATE:Y.M.D 2013.9.26	YANMAR YANMAR CO.,LTD. DEVELOPMENT DIV.		CODE REV.1(REV.2) B2-28995-0030
		DRAW SIZE A3	

3D-CAD
NOTICE
GEOMETRICAL TOLERANCE
KIND OF TOLERANCE
SYMBOL
STRAIGHTNESS TOLERANCE
CIRCULARITY TOLERANCE
PROFILE OF LINE TOLERANCE
FLATNESS TOLERANCE
CHIRALITY TOLERANCE
PROFILE RELIEF OF SURFACE
PARALLELISM TOLERANCE
PERPENDICULARITY TOLERANCE
ANGULARITY TOLERANCE
POSITIONAL TOLERANCE
COINCIDENCE OF CENTERLINE TOLERANCE
SYMMETRY TOLERANCE
IRREGULAR RUN-OUT TOLERANCE
CIRCULAR RUN-OUT TOLERANCE
RECTANGULAR RUN-OUT TOLERANCE