



COLLECTOR®

The extremely flexible hose for milk collecting trucks

Application

COLLECTOR® is the ideal high-quality hose for the reliable and safe use with milk collecting trucks. Its white lining made from natural rubber is absolutely neutral to taste and odour, resistant to raw milk as well as to commonly used cleaning products. The reinforcements with just one steel wire helix allow a pressure of 6 bar (87 psi). The very high flexibility of the hose makes it easy to handle. The NR cover is resistant to abrasion, UV and ozone.

Marking

2 parallel, spirally applied red stripes, interrupted by the words "Continental ContiTech COLLECTOR® FDA glass/fork symbol BfR EG 1935/2004 2023/2006 Made in Germany" on blue cover

Description

- › White, homogeneous, smooth NR-lining, absolutely neutral to taste and odour
- › Reinforcements: synthetic fibres
- › With steel wire helix
- › Blue, fabric patterned NR-cover, resistant to ozone, weather, UV and abrasion
- › Working pressure up to 6 bar / 87 psi
- › Temperature range from -40°C up to +70°C / -40°F up to +158°F (+90°C / +194°F max. 20 minutes)
- › Can be steamed up to +130°C / +266°F (max. 20 minutes)
- › Highly flexible and lightweight
- › Meets the requirements of EG 1935/2004 and EG 2023/2006
- › Meets the recommendation XXI cat. 2 of BfR and FDA (21 CFR 177.2600)

Technical data

nominal width zoll/inch	inner-Ø mm	wall thickness mm	length m	steel wire helix	working pressure		min. burst pressure		vacuum		min. bending radius aprx. mm	weight aprx. g/m
					bar	psi	bar	psi	bar	mmHg		
1 1/2	38	5.5	40	•	6	87	18	261	-0.8	-608	76	1200
1 9/16	40	5.5	40	•	6	87	18	261	-0.8	-608	80	1300
1 3/4	45	5.5	40	•	6	87	18	261	-0.8	-608	90	1400
2	50	5.5	40	•	6	87	18	261	-0.8	-608	100	1500
2 1/8	53	5.5	40	•	6	87	18	261	-0.8	-608	106	1600
2 1/2	63	6.0	40	•	6	87	18	261	-0.8	-608	126	2200
2 5/8	65	7.0	40	•	6	87	18	261	-0.8	-608	140	2500
3	75	7.0	40	•	6	87	18	261	-0.8	-608	170	3000
4	100	8.0	40	•	6	87	18	261	-0.8	-608	250	4550

Pressure and vacuum based on room temperature and adequate bending radius / High pressure and/or temperature lead to reduced component durability





COLLECTOR® FLEX

The flexible hose with plastic helix for milk collecting trucks

Application

COLLECTOR® FLEX is a further development of the established COLLECTOR® quality. Thanks to the flexibility of the new integrated plastic helix, the hose shows an excellent handling, even at low temperatures. Its white lining made from natural rubber is absolutely neutral to taste and odour, resistant to raw milk as well as to commonly used cleaning products. The NR cover is resistant to abrasion, UV and ozone.

Marking

2 parallel, spirally applied red stripes, interrupted by the words "Continental ContiTech COLLECTOR® FLEX FDA glass/fork symbol BfR EG 1935/2004 2023/2006 Made in Germany" on blue cover

Description

- › White, homogeneous, smooth, NR-lining, absolutely neutral to taste and odour
- › Reinforcements: synthetic fibres
- › With plastic helix
- › Blue, fabric patterned NR-cover, resistant to ozone, weather, UV and abrasion
- › Working pressure up to 6 bar / 87 psi
- › Temperature range from -40°C up to +70°C / -40°F up to +158°F (+90°C / +194°F max. 20 minutes)
- › Can be steamed up to +130°C / +266°F (max. 20 minutes)
- › Flexible and lightweight
- › Meets the requirements of EG 1935/2004 and EG 2023/2006
- › Meets the recommendation XXI cat. 2 of BfR and FDA (21 CFR 177.2600)

Technical data

nominal width zoll/inch	inner-Ø mm	wall thickness mm	length m	steel wire helix	working pressure		min. burst pressure		vacuum		min. bending radius aprx. mm	weight aprx. g/m
					bar	psi	bar	psi	bar	mmHg		
1 9/16	40	6.5	40	•	6	87	18	261	-0.8	-608	120	1290
1 3/4	45	6.5	40	•	6	87	18	261	-0.8	-608	135	1440
2	50	6.5	40	•	6	87	18	261	-0.8	-608	150	1620
2 1/8	53	6.5	40	•	6	87	18	261	-0.8	-608	160	1700
2 1/4	55	6.5	40	•	6	87	18	261	-0.7	-532	165	1760
2 1/2	63	6.5	40	•	6	87	18	261	-0.7	-532	190	1870
2 3/4	70	7.0	40	•	6	87	18	261	-0.7	-532	220	2270
3	75	7.5	40	•	6	87	18	261	-0.6	-532	225	2400
4	100	8.0	40	•	6	87	18	261	-0.6	-456	300	3240

Pressure and vacuum based on room temperature and adequate bending radius / High pressure and/or temperature lead to reduced component durability





LACTOPAL®

The multi-purpose hose for the food industry

Application

LACTOPAL® is the multi-purpose, high-class hose for the food, pharmaceutical and cosmetic industry. The white lining, resistant to fatty and oily products, is homogeneous, smooth and neutral to taste and odour. It is resistant to commonly used cleaning and disinfecting products. Especially developed for rough working conditions LACTOPAL® is robust, ensuring dimensional stability and resists running over by trucks. Together with our swaged coupling systems and rubber protection rings it becomes the ideal hose assembly!

Marking

Red spiral with integrated blue wavy line, interrupted by the words "Continental ContiTech LACTOPAL® FDA glass/fork symbol BfR EG 1935/2004 2023/2006 Made in Germany" on blue cover, spirally applied

Description

- › White, homogenous and non-porous NBR lining, absolutely neutral to taste and odour
- › Reinforcements: synthetic fibres
- › Blue fabric patterned NBR-cover, resistant to ozone, weather, UV and abrasion
- › Working pressure up to 16 bar / 232 psi
- › Temperature range from -30°C up to +80°C / -22°F up to +176°F (+90°C / +194°F max. 20 minutes)
- › Can be steamed up to +110°C / +230°F (+130°C / +266°F max. 20 minutes)
- › Lining and cover both resistant to oil and fats
- › Meets the requirements of EG 1935/2004 and EG 2023/2006
- › Meets the recommendation XXI cat. 2 of BfR and FDA (21 CFR 177.2600)
- › 2 years warranty

Technical data

nominal width zoll/inch	inner-Ø mm	wall thickness mm	length m	working pressure		min. burst pressure		vacuum		min. bending radius aprx. mm	weight aprx. g/m
				bar	psi	bar	psi	bar	mmHg		
1/2	13	4.0	40	16	232	48	696	-0.6	-456	80	280
5/8	16	4.0	40	16	232	48	696	-0.6	-456	100	320
3/4	19	5.0	40	16	232	48	696	-0.6	-456	115	500
1	25	6.0	40	16	232	48	696	-0.5	-380	150	800
1 1/4	32	8.0	40	16	232	48	696	-0.5	-380	195	1400
1 1/2	38	9.0	40	16	232	48	696	-0.5	-380	230	1700
1 9/16	40	9.0	40	16	232	48	696	-0.5	-380	240	1900
2	50	10.0	40	16	232	48	696	-0.4	-304	300	2700
2 3/8	60	10.0	40	16	232	48	696	-0.4	-304	420	3000
2 5/8	65	12.0	40	16	232	48	696	-0.4	-304	455	3800
2 3/4	70	12.0	40	16	232	48	696	-0.3	-228	490	3900
3	75	12.0	40	16	232	48	696	-0.3	-228	525	4100
3 1/8	80	14.0	40	16	232	48	696	-0.3	-228	560	5100
4	100	15.0	40	16	232	48	696	-0.3	-228	700	6700

Pressure and vacuum based on room temperature and adequate bending radius / High pressure and/or temperature lead to reduced component durability / Warranty refers to faulty material and manufacture provided that couplings have been fitted by experts, that the recommended working conditions have been respected and that the hose has been used properly





LACTOPAL® L

The suction-proof multi-purpose hose for the food industry

Application

LACTOPAL® L is the multi-purpose, high-class hose with steel wire helix for the food, pharmaceutical and cosmetic industry. The white lining is homogeneous, smooth, neutral to taste and odour and is especially designed for the transport of fatty and oily products. It is resistant to commonly used cleaning and disinfecting products. The incorporated steel wire helix makes LACTOPAL® L extremely flexible, lightweight and particularly resistant to suction. Together with our swaged coupling systems and rubber protection rings it becomes the ideal hose assembly!

Marking

Red spiral with integrated blue wavy line, interrupted by the words "Continental ContiTech LACTOPAL® FDA glass/fork symbol BfR EG 1935/2004 2023/2006 Made in Germany" on blue cover, spirally applied

Description

- › White, homogenous and non-porous NBR lining, absolutely neutral to taste and odour
- › Reinforcements: synthetic fibres
- › With steel wire helix
- › Blue, fabric patterned NBR-cover, resistant to ozone, weather, UV and abrasion
- › Working pressure up to 16 bar / 232 psi
- › Temperature range from -30°C up to +80°C / -22°F up to +176°F (+90°C / +194°F max. 20 minutes)
- › Can be steamed up to +110°C / +230°F (+130°C / +266°F max. 20 minutes)
- › Lining and cover resistant to oil and fats
- › Meets the requirements of EG 1935/2004 and EG 2023/2006
- › Meets the recommendation XXI cat. 2 of BfR and FDA (21 CFR 177.2600)

Technical data

nominal width	inner-Ø	wall thickness	length	steel wire helix	working pressure		min. burst pressure		vacuum	min. bending radius		weight
zoll/inch	mm	mm	m		bar	psi	bar	psi	bar	mmHg	aprx. mm	aprx. g/m
3/4	19	5.0	40	•	16	232	48	696	-0.8	-608	60	600
1	25	6.0	40	•	16	232	48	696	-0.8	-608	80	880
1 1/4	32	6.0	40	•	16	232	48	696	-0.8	-608	100	1100
1 1/2	38	6.5	40	•	16	232	48	696	-0.8	-608	115	1430
1 9/16	40	7.0	40	•	16	232	48	696	-0.8	-608	130	1640
2	50	8.0	40	•	16	232	48	696	-0.8	-608	150	2170
2 1/8	53	7.0	40	•	16	232	48	696	-0.8	-608	160	2000
2 3/8	60	7.0	40	•	16	232	48	696	-0.8	-608	170	2350
2 1/2	63	7.0	40	•	16	232	48	696	-0.8	-608	180	2470
2 5/8	65	8.0	40	•	16	232	48	696	-0.8	-608	190	2870
3	75	8.0	40	•	16	232	48	696	-0.8	-608	225	3310
3 1/8	80	8.0	40	•	16	232	48	696	-0.8	-608	300	3510
4	100	9.0	40	•	16	232	48	696	-0.8	-608	350	4650

Pressure and vacuum based on room temperature and adequate bending radius / High pressure and/or temperature lead to reduced component durability





PURPLE SNAKE®

Internationally the No.1 hose for the brewing and beverage industry

Application

PURPLE SNAKE® in improved quality is the ideal hose for breweries, winepresses, bottlers and many other installations in the brewing, beverage and spirits industry. Flexibility, pressure resistance and long service life - even under extreme working conditions - are additional advantages, which make the hose most popular all over the world. The new, optimized lining conforms to foodstuffs regulations and is absolutely neutral to taste and odour, homogeneous, smooth and temperature resistant up to +90°C (+194°F). The hose is resistant to conventional cleaning agents and disinfectants. PURPLE SNAKE® can easily be cleaned conventionally or by CIP installations. Together with our swaged coupling systems and rubber protection rings it becomes the ideal hose assembly!

Marking

Blue wavy line on red cover, interrupted by the words "Continental Contitech PURPURSCHLANGE® FDA glass/fork symbol BfR EG 1935/2004 2023/2006 Made in Germany", spirally applied

Description

- › White, non-porous and high-performing special lining, absolutely neutral to taste and odour
- › Reinforcements: synthetic fibres
- › Red, fabric patterned special cover, resistant to ozone, weather, UV and abrasion
- › Working pressure up to 16 bar / 232 psi
- › Temperature range from -30°C up to +90°C / -22°F up to +194°F (up to +100°C / +212°F max. 60 minutes)
- › Can be steamed up to +130°C / +266°F (max. 30 minutes)
- › Suitable for pure alcohol up to 98%
- › Meets the requirements of EG 1935/2004 and EG 2023/2006
- › Meets the recommendation XXI cat. 2 of BfR and FDA (21 CFR 177.2600)
- › 3 years warranty

Technical data

nominal width zoll/inch	inner-Ø mm	wall thickness mm	length m	steel wire helix	working pressure		min. burst pressure		vacuum		min. bending radius aprx. mm	weight aprx. g/m
					bar	psi	bar	psi	bar	mmHg		
1/2	13	3.5	40		16	232	48	696	-0.6	-456	80	250
5/8	16	4.0	40		16	232	48	696	-0.6	-456	100	300
3/4	19	5.0	40		16	232	48	696	-0.6	-456	120	450
1	25	6.0	40		16	232	48	696	-0.5	-380	160	750
1 1/4	32	8.0	40		16	232	48	696	-0.5	-380	190	1200
1 1/4	32	8.0	60		16	232	48	696	-0.5	-380	230	1200
1 1/2	38	9.0	40		16	232	48	696	-0.5	-380	230	1600
1 9/16	40	9.0	40		16	232	48	696	-0.5	-380	240	1650
2	50	8.0	40	•	16	232	48	696	-0.8	-608	250	2050
2	50	10.0	40		16	232	48	696	-0.4	-304	300	2200
2 5/8	65	12.0	40		16	232	48	696	-0.4	-304	450	3300
3	75	8.0	40	•	16	232	48	696	-0.8	-608	375	3150
3	75	12.0	40		16	232	48	696	-0.3	-228	500	3800
3 1/8	80	8.0	40	•	16	232	48	696	-0.8	-608	400	3320
3 1/8	80	14.0	40		16	232	48	696	-0.3	-228	560	4800
4	100	9.0	40	•	16	232	48	696	-0.8	-608	500	4850
4	100	15.0	40		16	232	48	696	-0.3	-228	700	6400

Pressure and vacuum based on room temperature / High pressure and/or temperature lead to reduced component durability

ContiTech Fluid Technology
Market segment industrial hose

ContiTech Schlauch GmbH
Continentalstraße 3-5 | 34497 Korbach, Germany

industrial.hoses@fluid.contitech.de

www.contitech.de
www.purpurschlange.de

The content of this publication is not legally binding and is provided as information only. The trademarks displayed in this publication are the property of Continental AG and/or its affiliates. Copyright © 2014 Contitech AG. All rights reserved. For complete information go to: www.contitech.de/disc_en





PURPLE SNAKE® PLUS

Internationally the No.1 hose for the brewing and beverage industry

Application

PURPLE SNAKE® PLUS is the best hose for breweries, wineries, bottlers and many other installations in the brewing, beverage and spirits industry. The white UPE lining is absolutely neutral to taste and odour, homogeneous, smooth, free of plasticizers and temperature resistant up to +95°C (+203°F). Flexibility, pressure resistance and long service life - even under extreme working conditions - are additional advantages, which make the hose most popular all over the world. PURPLE SNAKE® PLUS can easily be cleaned conventionally or by CIP installations. Together with our swaged coupling systems and rubber protection rings it becomes the ideal hose assembly!

Marking

axially applied blue wavy line on red cover "Continental ContiTech PURPURSCHLANGE® PLUS FDA glass/fork symbol BfR EG 1935/2004 2023/2006 Made in Germany"

Description

- › White, non-porous and smooth UPE lining, absolutely neutral to taste and odour
- › Reinforcements: synthetic fibres
- › Red, fabric patterned special cover, resistant to ozone, weather, UV and abrasion
- › Working pressure up to 16 bar / 232 psi
- › Temperature range from -30°C up to +95°C / -22°F up to +203°F (+110°C / +230°F max. 60 minutes)
- › Can be steamed up to +130°C / +266°F (max. 30 minutes)
- › Suitable for pure alcohol up to 100%
- › Meets the requirements of EG 1935/2004, EG 2023/2006 and EU 10/2011
- › Meets the recommendation III of BfR and FDA (21 CFR 177.1520)
- › 3 years' warranty

Technical data

nominal width	inner-Ø	wall thickness	length	steel wire helix	working pressure		min. burst pressure		vacuum		min. bending radius	weight
					bar	psi	bar	psi	bar	mmHg		
zoll/inch	mm	mm	m								aprx. mm	aprx. g/m
1	25	6.0	40		16	232	48	696	-0.6	-456	160	800
1 1/4	32	6.0	40		16	232	48	696	-0.6	-456	200	900
1 9/16	40	7.0	40		16	232	48	696	-0.6	-456	250	1150
2	50	8.0	40		16	232	48	696	-0.5	-380	230	1650
2 5/8	65	12.0	40		16	232	48	696	-0.5	-380	400	2650
3 1/8	80	8.0	40	•	16	232	48	696	-0.8	-608	450	3900
4	100	9.0	40	•	16	232	48	696	-0.8	-608	550	4750

Pressure and vacuum based on room temperature / High pressure and/or temperature lead to reduced component durability / Warranty refers to faulty material and manufacture provided that couplings have been fitted by experts, that the recommended working conditions have been respected and that the hose has been used properly





BLAUDIECK® LGD

The beverage and foodstuff hose

Application

The BLAUDIECK® LGD-hose offers high quality at a reasonable price. The hygienically smooth, non-porous lining is absolutely neutral to taste and odour and thus suitable for various applications in the beverage and foodstuffs industry. It is resistant to commonly used cleaning and disinfecting products and can easily be cleaned conventionally or by CIP installations. Both, lining and cover are resistant to oil and fats. Together with our swaged coupling systems and rubber protection rings it becomes the ideal hose assembly!

Marking

2 white stripes on blue cover "Continental ContiTech BLAUDIECK® FDA glass/fork symbol BfR EG 1935/2004 2023/2006 Made in Germany" spirally applied

Description

- › White, non-porous and smooth NBR lining, absolutely neutral to taste and odour
- › Reinforcements: synthetic fibres
- › Blue, fabric patterned NBR-cover, resistant to ozone, weather, UV and abrasion
- › Working pressure up to 16 bar / 232 psi
- › Temperature range from -30°C up to +80°C / -22°F up to +176°F (+90°C / +194°F max. 20 minutes)
- › Can be steamed up to +110°C / +230°F (+130°C / +266°F max. 20 minutes)
- › Lining and cover resistant to oil and fats
- › Meets the requirements of EG 1935/2004 and EG 2023/2006
- › Meets the recommendation XXI cat. 2 of BfR and FDA (21 CFR 177.2600)

Technical data

nominal width zoll/inch	inner-Ø mm	wall thickness mm	length m	working pressure		min. burst pressure		vacuum		min. bending radius aprx. mm	weight aprx. g/m
				bar	psi	bar	psi	bar	mmHg		
1/2	13	4.0	40	16	232	48	696	-0.6	-456	80	280
5/8	16	4.0	40	16	232	48	696	-0.6	-456	100	320
3/4	19	5.0	40	16	232	48	696	-0.6	-456	115	500
1	25	6.0	40	16	232	48	696	-0.5	-380	150	800
1 1/4	32	8.0	40	16	232	48	696	-0.5	-380	195	1400
1 1/2	38	9.0	40	16	232	48	696	-0.5	-380	230	1700
1 9/16	40	9.0	40	16	232	48	696	-0.5	-380	240	1900
2	50	10.0	40	16	232	48	696	-0.4	-304	300	2700
2 5/8	65	12.0	40	16	232	48	696	-0.4	-304	455	3800
3	75	12.0	40	16	232	48	696	-0.3	-228	525	4100
3 1/8	80	14.0	40	16	232	48	696	-0.3	-228	560	5100
4	100	15.0	40	16	232	48	696	-0.3	-228	700	6700

Pressure and vacuum based on room temperature / High pressure and/or temperature lead to reduced component durability





BLAUDIECK® LGDS

The vacuum resistant beverage and foodstuff hose

Application

The BLAUDIECK® LGDS-hose as a vacuum resistant construction with an integrated steel wire helix offers high quality at a reasonable price. The hygienically smooth, non-porous lining is absolutely neutral to taste and odour and thus suitable for various applications in the beverage and food industry. It is resistant to commonly used cleaning and disinfecting products and can easily be cleaned conventionally or by CIP installations. Both, lining and cover are resistant to oil and fats. Together with our swaged coupling systems and rubber protection rings it becomes the ideal hose assembly!

Marking

2 white stripes on blue cover "Continental ContiTech BLAUDIECK® FDA glass/fork symbol BfR EG 1935/2004 2023/2006 Made in Germany" spirally applied

Description

- › White, non-porous and smooth NBR lining, absolutely neutral to taste and odour
- › Reinforcements: synthetic fibres
- › With steel wire helix
- › Blue, fabric patterned NBR-cover, resistant to ozone, weather, UV and abrasion
- › Working pressure up to 16 bar / 232 psi
- › Temperature range from -30°C bis +80°C / -22°F up to +176°F (+90°C / +194°F max. 20 minutes)
- › Can be steamed up to +110°C / +230°F (+130°C / +266°F max. 20 minutes)
- › Lining and cover both resistant to oil and fats
- › Meets the requirements of EG 1935/2004 and EG 2023/2006
- › Meets the recommendation XXI cat. 2 of BfR and FDA (21 CFR 177.2600)

Technical data

nominal width	inner-Ø	wall thickness	length	steel wire helix	working pressure	min. burst pressure	vacuum	min. bending radius	weight		
zoll/inch	mm	mm	m		bar	psi	bar	mmHg	aprx. g/m		
3/4	19	5.0	40	•	16	232	48	696	-0.8 -608	60	600
1	25	6.0	40	•	16	232	48	696	-0.8 -608	80	880
1 1/4	32	6.0	40	•	16	232	48	696	-0.8 -608	100	1100
1 1/2	38	6.5	40	•	16	232	48	696	-0.8 -608	115	1430
1 9/16	40	7.0	40	•	16	232	48	696	-0.8 -608	130	1640
2	50	8.0	40	•	16	232	48	696	-0.8 -608	150	2170
2 5/8	65	8.0	40	•	16	232	48	696	-0.8 -608	190	2870
3	75	8.0	40	•	16	232	48	696	-0.8 -608	225	3310
3 1/8	80	8.0	40	•	16	232	48	696	-0.8 -608	300	3510
4	100	9.0	40	•	16	232	48	696	-0.8 -608	350	4650

Pressure and vacuum based on room temperature / High pressure and/or temperature lead to reduced component durability





BLAUDIECK® LGDU

The beverage and foodstuff hose with UPE liner

Application

The BLAUDIECK® LGDU-hose offers high quality at a reasonable price. The hygienically smooth, non-porous UPE lining free of plasticizers is absolutely neutral to taste and odour and thus suitable for various applications in the beverage and foodstuffs industry. It is extremely resistant to commonly used cleaning and disinfecting products and can easily be cleaned conventionally or by CIP installations. Both, lining and cover are resistant to oil, fats and aggressive chemicals such as acids and caustics. Together with our swaged coupling systems and rubber protection rings it becomes the ideal hose assembly!

Marking

2 white stripes on blue cover "Continental ContiTech BLAUDIECK® UPE FDA glass/fork symbol BfR EG 1935/2004 2023/2006 Made in Germany" spirally applied

Description

- › White, non-porous, smooth UPE lining, free of plasticizers, absolutely neutral to taste and odour
- › Reinforcements: synthetic fibres
- › Blue, fabric patterned NBR-cover, resistant to ozone, weather, UV and abrasion
- › Working pressure up to 16 bar / 232 psi
- › Temperature range from -30°C up to +95°C / -22°F up to +203°F (+110°C / +230 °F max. 60 minutes)
- › Can be steamed up to +130°C / +266°F (max. 30 minutes)
- › Suitable for pure alcohol up to 100%
- › Lining and cover resistant to oil and fats
- › Meets the requirements of EG 1935/2004, EG 2023/2006 and EU 10/2011
- › Meets the recommendation III of BfR and FDA (21 CFR 177.1520)

Technical data

nominal width zoll/inch	inner-Ø mm	wall thickness mm	length m	working pressure		min. burst pressure		vacuum		min. bending radius aprx. mm	weight aprx. g/m
				bar	psi	bar	psi	bar	mmHg		
1	25	6.0	40	16	232	48	696	-0.6	-456	150	750
1 1/4	32	8.0	40	16	232	48	696	-0.6	-456	200	1200
1 9/16	40	9.0	40	16	232	48	696	-0.6	-456	250	1480
2	50	10.0	40	16	232	48	696	-0.5	-380	350	2050
2 5/8	65	12.0	40	16	232	48	696	-0.5	-380	450	3120
3	75	12.0	40	16	232	48	696	-0.4	-304	500	3450
3 1/8	80	14.0	40	16	232	48	696	-0.4	-304	650	4390
4	100	15.0	40	16	232	48	696	-0.4	-304	750	5800

Pressure and vacuum based on room temperature / High pressure and/or temperature lead to reduced component durability





BLAUDIECK® LGDSU

The vacuum resistant beverage and foodstuff hose with UPE liner

Application

The BLAUDIECK® LGDSU-hose as a vacuum resistant construction with an integrated steel wire helix offers high quality at a reasonable price. The hygienically smooth, non-porous UPE lining free of plasticizers is absolutely neutral to taste and odour and thus suitable for various applications in the beverage and foodstuffs industry. It is extremely resistant to commonly used cleaning and disinfecting products and can easily be cleaned conventionally or by CIP installations. Both, lining and cover are resistant to oil, fats and aggressive chemicals such as acids and caustics. Together with our swaged coupling systems and rubber protection rings it becomes the ideal hose assembly!

Marking

2 white stripes on blue cover "Continental ContiTech BLAUDIECK® UPE FDA glass/fork symbol BfR EG 1935/2004 2023/2006 Made in Germany" spirally applied

Description

- › White, non-porous, smooth UPE lining, free of plasticizers, absolutely neutral to taste and odour
- › Reinforcements: synthetic fibres
- › With steel wire helix
- › Blue, fabric patterned NBR-cover, resistant to ozone, weather, UV and abrasion
- › Working pressure up to 16 bar / 232 psi
- › Temperature range from -30°C up to +95°C / -22°F up to +203°F (+110°C / +230 °F max. 60 minutes)
- › Can be steamed up to +130°C / +266°F (max. 30 minutes)
- › Suitable for pure alcohol up to 100%
- › Lining and cover resistant to oil and fats
- › Meets the requirements of EG 1935/2004, EG 2023/2006 and EU 10/2011
- › Meets the recommendation III of BfR and FDA (21 CFR 177.1520)

Technical data

nominal width	inner-Ø	wall thickness	length	steel wire helix	working pressure		min. burst pressure		vacuum		min. bending radius	weight
					bar	psi	bar	psi	bar	mmHg		
zoll/inch	mm	mm	m								aprx. mm	aprx. g/m
1	25	6.0	40	•	16	232	48	696	-0.8	-608	170	760
1 1/4	32	6.0	40	•	16	232	48	696	-0.8	-608	200	1050
1 9/16	40	7.0	40	•	16	232	48	696	-0.8	-608	250	1450
2	50	8.0	40	•	16	232	48	696	-0.8	-608	330	2000
2 5/8	65	8.0	40	•	16	232	48	696	-0.8	-608	430	2520
3	75	8.0	40	•	16	232	48	696	-0.8	-608	500	2840
3 1/8	80	8.0	40	•	16	232	48	696	-0.8	-608	530	3050
4	100	9.0	40	•	16	232	48	696	-0.8	-608	660	4180

Pressure and vacuum based on room temperature / High pressure and/or temperature lead to reduced component durability





FLUOROPAL® Food + Drink

The high-end hose for the food and beverage industry

Application

FLUOROPAL® Food + Drink is the premium high-end hose for pharmaceutical and cosmetic industrial applications in a range of limited conditions, as well as for the food and beverage industry. Due to its fluoroplastic lining the FLUOROPAL® is resistant to the most extreme temperature ranges. Constant temperatures up to +125°C (+257°F) and short-term temperatures for cleaning up to +150°C (+320°F) are no problem. Moreover, the all-rounder is highly resistant to commonly used cleaning and disinfecting products and almost all chemicals. The high-temperature resistant EPDM-cover is resistant to ozone and weather. Combined with our swaged fitting systems and blue protective rubber rings, the result is the ideal hose assembly.

Marking

2 red spiral stripes with integrated white wavy line, interrupted by the words "Continental ContiTech FLUOROPAL® FDA glass/fork symbol BfR EG 1935/2004 2023/2006 Made in Germany" on blue cover, spirally applied

Description

- › White, seamless smooth, anti-adhesive fluoroplastic lining, absolutely neutral to taste and odour
- › Reinforcements: synthetic fibres
- › With steel wire helix
- › Blue, fabric patterned EPDM-cover, resistant to ozone, weather, UV and abrasion
- › Working pressure up to 16 bar / 232 psi
- › Temperature range from -30°C up to +125°C / -22°F up to +257°F, short term up to +150°C / +302°F
- › Can be steamed up to +150°C / +302°F (max. 30 minutes)
- › Meets the requirements of EG 1935/2004, EG 2023/2006 and EU 10/2011
- › Meets FDA (21 CFR 177.1550)
- › Meets the recommendation XXI cat. 2 of BfR
- › Meets USP Class VI

Technical data

nominal width	inner-Ø	wall thickness	length	steel wire helix	working pressure	min. burst pressure	vacuum	min. bending radius	weight
zoll/inch	mm	mm	m		bar	psi	bar	mm	aprx. g/m
1/2	13	4.5	40		16	232	-0.6	50	330
3/4	19	5.5	40	•	16	232	-0.8	80	650
1	25	6.0	40	•	16	232	-0.8	100	830
1 1/4	32	6.0	40	•	16	232	-0.8	125	1090
1 9/16	40	7.0	40	•	16	232	-0.8	160	1515
2	50	8.0	40	•	16	232	-0.8	200	2130
2 5/8	65	8.0	40	•	16	232	-0.8	260	2900
3	75	8.0	40	•	16	232	-0.8	300	3320
3 1/8	80	8.0	40	•	16	232	-0.8	320	3510

Pressure and vacuum based on room temperature / High pressure and/or temperature lead to reduced component durability





CONTI® SILO FOOD

High quality for the conveying of synthetic granules and dry food

Application

CONTI® SILO FOOD is the perfect conveying hose for the use in the food industry. The white compound of the smooth liner is high abrasion resistant and fulfills the requirements acc. to FDA (dry food) and BfR XXI cat.4. The ideal hose for conveying high abrasive bulk material, such as granules, sugar, flour and the like. The hose is flexible, has a high mechanical load capacity and the construction of the hose line is electrically conductive.

Marking

3 orange axially applied stripes on black cover "Continental ContiTech SILO FOOD glass/fork symbol BfR FDA DN 75 PN 5 BAR / 73 PSI Made in Germany"

Description

- › White, smooth extruded NBR-lining, highly resistant to abrasion
- › Textile reinforcement with 2 embedded Cu-wires
- › Black, fabric patterned CR-cover, abrasion resistant, electrically conductive $R < 10^6 \Omega$
- › Working pressure up to 5 bar / 72psi
- › Temperature range from -40°C up to +80°C / -40°F up to +176°F
- › According to FDA (dry food) and BfR XXI cat.4
- › M-type hose acc. to TRBS2153 no.4.9 (Cu-wires to be grounded on both sides)

Technical data

nominal width zoll/inch	inner-Ø mm	wall thickness mm	length m	working pressure		min. burst pressure		min. bending radius aprx. mm	weight aprx. g/m
				bar	psi	bar	psi		
2	50	8.0	40	5	73	15	218	250	2250
2 1/2	65	8.0	40	5	73	15	218	325	2700
3	75	9.0	40	5	73	15	218	375	3550
4	100	10.0	40	5	73	15	218	500	5000

Pressure based on room temperature / High pressure and/or temperature lead to reduced component durability





CONTI® CLEANJET - FDA

The ideal cleaning hose for conveying cold and hot water

Application

CONTI® CLEANJET - FDA is the perfect cleaning (washdown) hose for the food and beverage industry. The hose is designed for cold water as well as hot water up to +80°C (+176°F). CONTI® CLEANJET - FDA is able to convey hot oil and fluid fatty food.

Marking

"Continental ContiTech CLEANJET DN 19 PN 10 BAR / 145 PSI FDA glass/fork symbol EG 1935/2004 2023/2006 Made in Germany" on blue cover

Description

- › White, non-porous NBR lining
- › Reinforcements: synthetic fibres
- › Blue, fat resistant NBR cover (also chicken fat), resistant to ozone, weather, UV and abrasion
- › Working pressure up to 90 bar / 1305 psi
- › Temperature range from -20°C up to +80°C / -4°F up to +176°F, short term up to +100°C / +212°F
- › Can be steamed up to 6 bar / 87 psi (+164°C / +327°F) for sterilisation - open system only
- › Highly flexible
- › Lining and cover both resistant to oil and fats
- › Meets the requirements of EG 1935/2004 und EG 2023/2006
- › Meets the recommendation FDA (21 CFR 177.2600)

Technical data

nominal width zoll/inch	inner-Ø mm	wall thickness mm	length m	working pressure		min. burst pressure		min. bending radius aprx. mm	weight aprx. g/m
				bar	psi	bar	psi		
1/2	12.5	4.8	> 5	90	1305	360	5221	80	335
1/2	13	4.0	40	10	145	30	435	130	320
5/8	15	4.5	40	10	145	30	435	150	425
3/4	19	4.5	40	10	145	30	435	190	460

Pressure based on room temperature / High pressure and/or temperature lead to reduced component durability





TRIX® MULTIFOOD - white

The versatile hose for the food industry

Application

TRIX® MULTIFOOD is the universal hose for the food industry. It can be used in dairy, cheese production, margarine production, large-scale catering establishments, fish processing industry as well as in breweries, slaughter-houses, oil mills, skinning industry, large-scale butcher's shops and jam production. It is suitable for conveying milk, whey and hot water up to +90°C (+194°F).

Marking

"Continental ContiTech TRIX® MULTIFOOD DN 13 PN 20 BAR / 290 PSI glass/fork symbol FDA Made in Germany" on white cover

Description

- › White, homogeneous, smooth, NBR-lining, absolutely neutral to taste and odour
- › Reinforcements: synthetic fibres
- › White, smooth NBR-cover, resistant to ozone, weather, UV, oils, fats and abrasion
- › Working pressure up to 20 bar / 290 psi
- › Temperature range from -20°C up to +90°C / -4°F up to +194°F
- › Can be steamed up to 6 bar / 87 psi (+164°C / +327°F) - open system only
- › Meets the requirements of EG 1935/2004 and EG 2023/2006
- › Meets FDA (21 CFR 177.2600)

Technical data

nominal width zoll/inch	inner-Ø mm	wall thickness mm	length m	working pressure		min. burst pressure		min. bending radius aprx. mm	weight aprx. g/m
				bar	psi	bar	psi		
1/2	13	5.0	40	20	290	60	870	95	430
5/8	16	5.0	40	20	290	60	870	115	500
3/4	19	6.0	40	20	290	60	870	150	700
1	25	7.0	40	20	290	60	870	200	1050

Pressure based on room temperature / High pressure and/or temperature lead to reduced component durability





TRIX® MULTIFOOD - blue

The versatile hose for the food industry

Application

TRIX® MULTIFOOD is the universal hose for the food industry. It can be used in dairy, cheese production, margarine production, large-scale catering establishments, fish processing industry as well as in breweries, slaughter-houses, oil mills, skinning industry, large-scale butcher's shops and jam production. It is suitable for conveying milk, whey and hot water up to +90°C (+194°F).

Marking

"Continental ContiTech TRIX® MULTIFOOD DN 13 PN 20 BAR / 290 PSI glass/fork symbol FDA Made in Germany" on blue cover

Description

- › White, homogeneous, smooth NBR-lining, absolutely neutral to taste and odour
- › Reinforcements: synthetic fibres
- › Blue, smooth NBR-cover, resistant to ozone, weather, UV, oils, fats and abrasion
- › Working pressure up to 20 bar / 290 psi
- › Temperature range from -20°C up to +90°C / -4°F up to +194°F
- › Can be steamed up to 6 bar / 87 psi (+164°C / +327°F) - open system only
- › Meets the requirements of EG 1935/2004 and EG 2023/2006
- › Meets FDA (21 CFR 177.2600)

Technical data

nominal width zoll/inch	inner-Ø mm	wall thickness mm	length m	working pressure		min. burst pressure		min. bending radius aprx. mm	weight aprx. g/m
				bar	psi	bar	psi		
1/2	13	5.0	40	20	290	60	870	95	430
5/8	16	5.0	40	20	290	60	870	115	500
3/4	19	6.0	40	20	290	60	870	150	700
1	25	7.0	40	20	290	60	870	200	1050

Pressure based on room temperature / High pressure and/or temperature lead to reduced component durability





PAGUFIX® 3000 female part - DIN 11851

The ideal swaged coupling for the beverage and foodstuff industries

Application

In order to meet the very severe hygiene and safety requirements in the brewing, beverage and foodstuffs industries, ContiTech Schlauch GmbH offers the PAGUFIX 3000 swaged coupling, which sets new standards in quality and swaging technology. Manufactured from stainless steel 1.4301 and available in all common nominal sizes of hose, PAGUFIX 3000 is the ideal connection for all beer, beverage and foodstuffs hoses from ContiTech Schlauch GmbH - whether they contain a steel-wire helix or not. Of course, this high-quality coupling is also available in other material qualities and special designs, ensuring that it can be adapted to best meet individual specifications. With this coupling system, the hose assembly can no longer become a HACCP problem.

Marking

"PAGUFIX 3000 DN 50x8 - 1.4301"

Special types available on request

Special types of couplings and other thread types available on request (e.g. SMS 1145, IDF ISO 2853, RJT BS 4825, DS 722, Aseptic DIN 11864 part 1, clamp, open welding end).

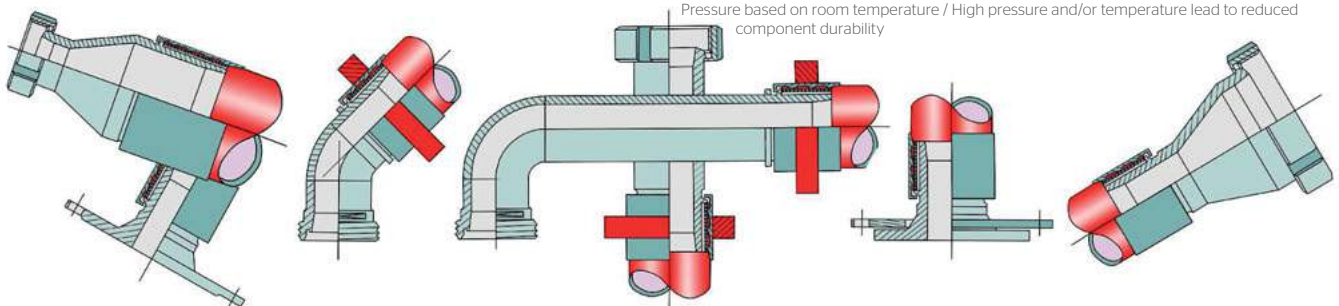
Description

- › Suitable for a great variety of applications in the brewing, beverage and foodstuff industry
- › Smooth and hygienically clean connection, without any transition between lining and fitting
- › Perfect seal of the hose end (no wicking effect)
- › Very high compression strength and resistance to pull-off forces up to 50 bar, also with hot cleaning
- › No damage to lining through swaging process
- › Rubber protection rings available in blue

Technical data

nominal width zoll/inch	Inner- Ø mm	wall thickness mm	working pressure		min. burst pressure		weight aprx. g/piece
			bar	psi	bar	psi	
1/2	13	4.0	16	232	48	696	220
3/4	19	5.0	16	232	48	696	290
1	25	6.0	16	232	48	696	410
1 1/4	32	6.0	16	232	48	696	610
1 1/4	32	8.0	16	232	48	696	630
1 1/2	38	6.5	16	232	48	696	870
1 1/2	38	9.0	16	232	48	696	870
1 2/3	40	7.0	16	232	48	696	870
1 2/3	40	9.0	16	232	48	696	870
2	50	8.0	16	232	48	696	1110
2	50	10.0	16	232	48	696	1200
2 5/8	65	8.0	16	232	48	696	1840
2 5/8	65	12.0	16	232	48	696	1880
3	75	8.0	16	232	48	696	2115
3	75	12.0	16	232	48	696	2130
3 1/8	80	8.0	16	232	48	696	2400
3 1/8	80	14.0	16	232	48	696	2400
4	100	9.0	16	232	48	696	3030
4	100	15.0	16	232	48	696	3050

Pressure based on room temperature / High pressure and/or temperature lead to reduced component durability





PAGUFIX® 3000 male part - DIN 11851

The ideal swaged coupling for the beverage and foodstuff industries

Application

In order to meet the very severe hygiene and safety requirements in the brewing, beverage and foodstuffs industries, ContiTech Schlauch GmbH offers the PAGUFIX 3000 swaged coupling, which sets new standards in quality and swaging technology. Manufactured from stainless steel 1.4301 and available in all common nominal sizes of hose, PAGUFIX 3000 is the ideal connection for all beer, beverage and foodstuffs hoses from ContiTech Schlauch GmbH - whether they contain a steel-wire helix or not. Of course, this high-quality coupling is also available in other material qualities and special designs, ensuring that it can be adapted to best meet individual specifications. With this coupling system, the hose assembly can no longer become a HACCP problem.

Marking

"PAGUFIX 3000 DN 50x8 - 1.4301"

Special types available on request

Special fittings (SMS 1145, IDF ISO 2853, RJT BS 4825, DS 722, Aseptik DIN 11864 Teil 1, Clamp, weld-on end) upon request.

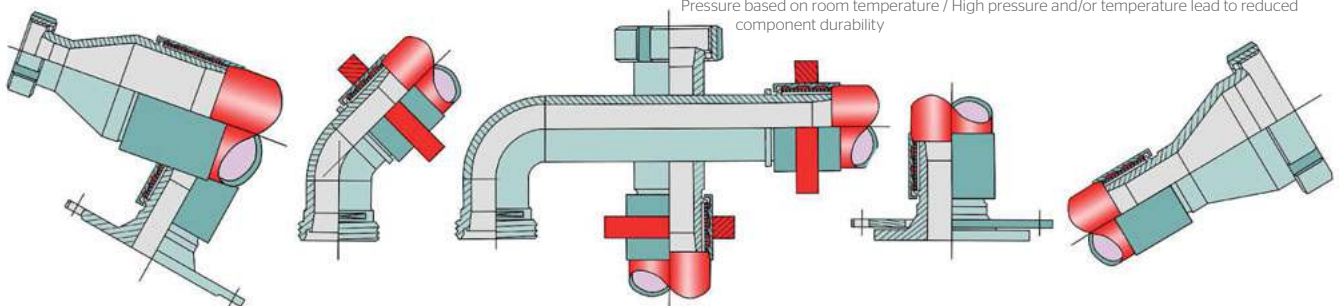
Description

- › Suitable for a great variety of applications in the brewing, beverage and foodstuff industry
- › Smooth and hygienically clean connection, without any transition between lining and fitting
- › Perfect seal of the hose end (no wicking effect)
- › Very high compression strength and resistance to pull-off forces up to 50 bar, also with hot cleaning
- › No damage to lining through swaging process
- › Rubber protection rings available in blue

Technical data

nominal width	Inner-Ø	wall thickness	working pressure		min. burst pressure		weight
			bar	psi	bar	psi	
1/2	13	4.0	16	232	48	696	180
3/4	19	5.0	16	232	48	696	210
1	25	6.0	16	232	48	696	540
1 1/4	32	6.0	16	232	48	696	430
1 1/4	32	8.0	16	232	48	696	450
1 1/2	38	6.5	16	232	48	696	610
1 1/2	38	9.0	16	232	48	696	610
1 2/3	40	7.0	16	232	48	696	770
1 2/3	40	9.0	16	232	48	696	780
2	50	8.0	16	232	48	696	830
2	50	10.0	16	232	48	696	920
2 5/8	65	8.0	16	232	48	696	1210
2 5/8	65	12.0	16	232	48	696	1250
3	75	8.0	16	232	48	696	1400
3	75	12.0	16	232	48	696	1400
3 1/8	80	8.0	16	232	48	696	1500
3 1/8	80	14.0	16	232	48	696	1500
4	100	9.0	16	232	48	696	1930
4	100	15.0	16	232	48	696	3050

Pressure based on room temperature / High pressure and/or temperature lead to reduced component durability





BLAUDIECK® Hose Coupling System female part

The piggable coupling - DIN 11851

Application

On request, ContiTech Schlauch GmbH supplies any desired hose length - either with or without steelwire - pre-fitted with the Blaudieck® coupling system. In the brewing, beverage and foodstuffs industries, this system is a recognized standard when an ultra-hygienic hose assembly is required which enables an easy flow of the product without any clearance volume and which can be easily cleaned mechanically (piggable). The high pressure resistance of the couplings helps prevent accidents. Stainless steel 1.4301 is used as a standard for this coupling system. Other materials on request.

Marking

"BLAUDIECK DN 50x8 - 1.4301"

On request we deliver the following coupling types

- › DIN 11864-1 aseptic
- › clamp - design Inch
- › ISO 2853 IDF international
- › BS 4825 RJT British Standard
- › SMS 1145 SMS Swedish Standard
- › DS 722 DS Danish Standard
- › Open welding end

Description

- › Suitable for a great variety of applications in the brewing, beverage and foodstuff industries
- › Smooth and hygienically clean connection, without any transition between lining and fitting
- › Perfect seal of the hose end (no wicking effect)
- › Resistance to pull-off forces above working pressure
- › No damage to lining through swaging process
- › No variation in cross-section within the couplings area
- › Piggable
- › Rubber protection rings available in blue

Technical data

nominal width zoll/inch	Inner- Ø mm	wall thickness mm	working pressure		min. burst pressure		weight aprx. g/piece
			bar	psi	bar	psi	
1	25	6.0	12	174	48	696	540
1 1/4	32	6.0	12	174	48	696	720
1 1/4	32	8.0	12	174	48	696	720
1 2/3	40	7.0	12	174	48	696	900
1 2/3	40	9.0	12	174	48	696	900
2	50	8.0	12	174	48	696	1240
2	50	10.0	12	174	48	696	1240
2 5/8	65	8.0	12	174	48	696	1580
2 5/8	65	12.0	12	174	48	696	1980
3	75	8.0	12	174	48	696	3520
3	75	12.0	12	174	48	696	3520
3 1/8	80	8.0	12	174	48	696	3600
3 1/8	80	14.0	12	174	48	696	3800
4	100	9.0	12	174	48	696	5050
4	100	15.0	12	174	48	696	5050

Pressure based on room temperature / High pressure and/or temperature lead to reduced component durability





BLAUDIECK® Hose Coupling System male part

The piggable coupling - DIN 11851

Application

On request, ContiTech Schlauch GmbH supplies any desired hose length - either with or without steelwire - pre-fitted with the Blaudieck® coupling system. In the brewing, beverage and foodstuffs industries, this system is a recognized standard when an ultra-hygienic hose assembly is required which enables an easy flow of the product without any clearance volume and which can be easily cleaned mechanically (piggable). The high pressure resistance of the couplings helps prevent accidents. Stainless steel 1.4301 is used as a standard for this coupling system. Other materials on request.

Marking

"BLAUDIECK DN 50x8 - 1.4301"

Description

- › Suitable for a great variety of applications in the brewing, beverage and foodstuff industries
- › Smooth and hygienically clean connection, without any transition between lining and fitting
- › Perfect seal of the hose end (no wicking effect)
- › Resistance to pull-off forces above working pressure
- › No damage to lining through swaging process
- › No variation in cross-section within the couplings area
- › Piggable
- › Rubber protection rings available in blue

On request we deliver the following coupling types:

- › DIN 11864-1 aseptic
- › clamp - design Inch
- › ISO 2853 IDF international
- › BS 4825 RJT British Standard
- › SMS 1145 SMS Swedish Standard
- › DS 722 DS Danish Standard
- › Open welding end

Technical data

nominal width zoll/inch	Inner- Ø mm	wall thickness mm	working pressure		min. burst pressure		weight aprx. g/piece
			bar	psi	bar	psi	
1	25	6.0	12	174	48	696	370
1 1/4	32	6.0	12	174	48	696	550
1 1/4	32	8.0	12	174	48	696	550
1 2/3	40	7.0	12	174	48	696	700
1 2/3	40	9.0	12	174	48	696	700
2	50	8.0	12	174	48	696	950
2	50	10.0	12	174	48	696	950
2 5/8	65	8.0	12	174	48	696	1100
2 5/8	65	12.0	12	174	48	696	1500
3	75	8.0	12	174	48	696	2970
3	75	12.0	12	174	48	696	2970
3 1/8	80	8.0	12	174	48	696	2970
3 1/8	80	14.0	12	174	48	696	3170
4	100	9.0	12	174	48	696	4000
4	100	15.0	12	174	48	696	4000

Pressure based on room temperature / High pressure and/or temperature lead to reduced component durability





COLLECTOR®

The extremely flexible hose for milk collecting trucks

Application

COLLECTOR® is the ideal high-quality hose for the reliable and safe use with milk collecting trucks. Its white lining made from natural rubber is absolutely neutral to taste and odour, resistant to raw milk as well as to commonly used cleaning products. The reinforcements with just one steel wire helix allow a pressure of 6 bar (87 psi). The very high flexibility of the hose makes it easy to handle. The NR cover is resistant to abrasion, UV and ozone.

Marking

2 parallel, spirally applied red stripes, interrupted by the words "Continental ContiTech COLLECTOR® FDA glass/fork symbol BfR EG 1935/2004 2023/2006 Made in Germany" on blue cover

Description

- › White, homogeneous, smooth NR-lining, absolutely neutral to taste and odour
- › Reinforcements: synthetic fibres
- › With steel wire helix
- › Blue, fabric patterned NR-cover, resistant to ozone, weather, UV and abrasion
- › Working pressure up to 6 bar / 87 psi
- › Temperature range from -40°C up to +70°C / -40°F up to +158°F (+90°C / +194°F max. 20 minutes)
- › Can be steamed up to +130°C / +266°F (max. 20 minutes)
- › Highly flexible and lightweight
- › Meets the requirements of EG 1935/2004 and EG 2023/2006
- › Meets the recommendation XXI cat. 2 of BfR and FDA (21 CFR 177.2600)

Technical data

nominal width	inner-Ø	wall thickness	length	steel wire helix	working pressure		min. burst pressure		vacuum		min. bending radius	weight
zoll/inch	mm	mm	m		bar	psi	bar	psi	bar	mmHg	aprx. mm	aprx. g/m
1 1/2	38	5.5	40	•	6	87	18	261	-0.7	-532	76	1200
1 9/16	40	5.5	40	•	6	87	18	261	-0.7	-532	80	1300
1 3/4	45	5.5	40	•	6	87	18	261	-0.7	-532	90	1400
2	50	5.5	40	•	6	87	18	261	-0.7	-532	100	1500
2 1/8	53	5.5	40	•	6	87	18	261	-0.7	-532	106	1600
2 1/2	63	6.0	40	•	6	87	18	261	-0.6	-304	126	2200
2 5/8	65	7.0	40	•	6	87	18	261	-0.6	-304	140	2500
3	75	7.0	40	•	6	87	18	261	-0.6	-304	170	3000
4	100	8.0	40	•	6	87	18	261	-0.6	-304	250	4550

Pressure and vacuum based on room temperature and adequate bending radius / High pressure and/or temperature lead to reduced component durability





COLLECTOR® FLEX

The flexible hose with plastic helix for milk collecting trucks

Application

COLLECTOR® FLEX is a further development of the established COLLECTOR® quality. Thanks to the flexibility of the new integrated plastic helix, the hose shows an excellent handling, even at low temperatures. Its white lining made from natural rubber is absolutely neutral to taste and odour, resistant to raw milk as well as to commonly used cleaning products. The NR cover is resistant to abrasion, UV and ozone.

Marking

2 parallel, spirally applied red stripes, interrupted by the words "Continental ContiTech COLLECTOR® FLEX FDA glass/fork symbol BfR EG 1935/2004 2023/2006 Made in Germany" on blue cover

Description

- › White, homogeneous, smooth, NR-lining, absolutely neutral to taste and odour
- › Reinforcements: synthetic fibres
- › With plastic helix
- › Blue, fabric patterned NR-cover, resistant to ozone, weather, UV and abrasion
- › Working pressure up to 6 bar / 87 psi
- › Temperature range from -40°C up to +70°C / -40°F up to +158°F (+90°C / +194°F max. 20 minutes)
- › Dämpfbar bis +130°C / +266°F (max. 20 minutes)
- › Flexible and lightweight
- › Meets the requirements of EG 1935/2004 and EG 2023/2006
- › Meets the recommendation XXI cat. 2 of BfR and FDA (21 CFR 177.2600)

Technical data

nominal width	inner-Ø	wall thickness	length	steel wire helix	working pressure		min. burst pressure		vacuum		min. bending radius	weight
zoll/inch	mm	mm	m		bar	psi	bar	psi	bar	mmHg	aprx. mm	aprx. g/m
1 9/16	40	6.5	40	•	6	87	18	261	-0.7	-532	120	1290
1 3/4	45	6.5	40	•	6	87	18	261	-0.7	-532	135	1440
2	50	6.5	40	•	6	87	18	261	-0.7	-532	150	1620
2 1/8	53	6.5	40	•	6	87	18	261	-0.7	-532	160	1700
2 1/4	55	6.5	40	•	6	87	18	261	-0.7	-532	165	1760
2 1/2	63	6.5	40	•	6	87	18	261	-0.6	-456	190	1870
2 3/4	70	7.0	40	•	6	87	18	261	-0.6	-456	220	2270
3	75	7.5	40	•	6	87	18	261	-0.6	-456	225	2400
4	100	8.0	40	•	6	87	18	261	-0.6	-456	300	3240

Pressure and vacuum based on room temperature and adequate bending radius / High pressure and/or temperature lead to reduced component durability





LACTOPAL®

The multi-purpose hose for the food industry

Application

LACTOPAL® is the multi-purpose, high-class hose for the food, pharmaceutical and cosmetic industry. The white lining, resistant to fatty and oily products, is homogeneous, smooth and neutral to taste and odour. It is resistant to commonly used cleaning and disinfecting products. Especially developed for rough working conditions LACTOPAL® is robust, ensuring dimensional stability and resists running over by trucks. Together with our swaged coupling systems and rubber protection rings it becomes the ideal hose assembly!

Marking

Red spiral with integrated blue wavy line, interrupted by the words "Continental ContiTech LACTOPAL® FDA glass/fork symbol BfR EG 1935/2004 2023/2006 Made in Germany" on blue cover, spirally applied

Description

- › White, homogenous and non-porous NBR lining, absolutely neutral to taste and odour
- › Reinforcements: synthetic fibres
- › Blue fabric patterned NBR-cover, resistant to ozone, weather, UV and abrasion
- › Working pressure up to 16 bar / 232 psi
- › Temperature range from -30°C up to +80°C / -22°F up to +176°F (+90°C / +194°F max. 20 minutes)
- › Can be steamed up to +110°C / +230°F (+130°C / +266°F max. 20 minutes)
- › Lining and cover both resistant to oil and fats
- › Meets the requirements of EG 1935/2004 and EG 2023/2006
- › Meets the recommendation XXI cat. 2 of BfR and FDA (21 CFR 177.2600)
- › 2 years warranty

Technical data

nominal width zoll/inch	inner-Ø mm	wall thickness mm	length m	working pressure		min. burst pressure		vacuum		min. bending radius aprx. mm	weight aprx. g/m
				bar	psi	bar	psi	bar	mmHg		
1/2	13	4.0	40	16	232	48	696	-0.6	-456	80	280
5/8	16	4.0	40	16	232	48	696	-0.6	-456	100	320
3/4	19	5.0	40	16	232	48	696	-0.6	-456	115	500
1	25	6.0	40	16	232	48	696	-0.5	-380	150	800
1 1/4	32	8.0	40	16	232	48	696	-0.5	-380	195	1400
1 1/2	38	9.0	40	16	232	48	696	-0.5	-380	230	1700
1 9/16	40	9.0	40	16	232	48	696	-0.5	-380	240	1900
2	50	10.0	40	16	232	48	696	-0.4	-304	300	2700
2 3/8	60	10.0	40	16	232	48	696	-0.4	-304	420	3000
2 5/8	65	12.0	40	16	232	48	696	-0.4	-304	455	3800
2 3/4	70	12.0	40	16	232	48	696	-0.3	-228	490	3900
3	75	12.0	40	16	232	48	696	-0.3	-228	525	4100
3 1/8	80	14.0	40	16	232	48	696	-0.3	-228	560	5100
4	100	15.0	40	16	232	48	696	-0.3	-228	700	6700

Pressure and vacuum based on room temperature and adequate bending radius / High pressure and/or temperature lead to reduced component durability / Warranty refers to faulty material and manufacture provided that couplings have been fitted by experts, that the recommended working conditions have been respected and that the hose has been used properly





LACTOPAL® L

The suction-proof multi-purpose hose for the food industry

Application

LACTOPAL® L is the multi-purpose, high-class hose with steel wire helix for the food, pharmaceutical and cosmetic industry. The white lining is homogeneous, smooth, neutral to taste and odour and is especially designed for the transport of fatty and oily products. It is resistant to commonly used cleaning and disinfecting products. The incorporated steel wire helix makes LACTOPAL® L extremely flexible, lightweight and particularly resistant to suction. Together with our swaged coupling systems and rubber protection rings it becomes the ideal hose assembly!

Marking

Red spiral with integrated blue wavy line, interrupted by the words "Continental ContiTech LACTOPAL® FDA glass/fork symbol BfR EG 1935/2004 2023/2006 Made in Germany" on blue cover, spirally applied

Description

- › White, homogenous and non-porous NBR lining, absolutely neutral to taste and odour
- › Reinforcements: synthetic fibres
- › With steel wire helix
- › Blue, fabric patterned NBR-cover, resistant to ozone, weather, UV and abrasion
- › Working pressure up to 16 bar / 232 psi
- › Temperature range from -30°C up to +80°C / -22°F up to +176°F (+90°C / +194°F max. 20 minutes)
- › Can be steamed up to +110°C / +230°F (+130°C / +266°F max. 20 minutes)
- › Lining and cover resistant to oil and fats
- › Meets the requirements of EG 1935/2004 and EG 2023/2006
- › Meets the recommendation XXI cat. 2 of BfR and FDA (21 CFR 177.2600)

Technical data

nominal width	inner-Ø	wall thickness	length	steel wire helix	working pressure		min. burst pressure		vacuum	min. bending radius		weight
zoll/inch	mm	mm	m		bar	psi	bar	psi	bar	mmHg	aprx. mm	aprx. g/m
3/4	19	5.0	40	•	16	232	48	696	-0.8	-608	60	600
1	25	6.0	40	•	16	232	48	696	-0.8	-608	80	880
1 1/4	32	6.0	40	•	16	232	48	696	-0.8	-608	100	1100
1 1/2	38	6.5	40	•	16	232	48	696	-0.8	-608	115	1430
1 9/16	40	7.0	40	•	16	232	48	696	-0.8	-608	130	1640
2	50	8.0	40	•	16	232	48	696	-0.8	-608	150	2170
2 1/8	53	7.0	40	•	16	232	48	696	-0.8	-608	160	2000
2 3/8	60	7.0	40	•	16	232	48	696	-0.8	-608	170	2350
2 1/2	63	7.0	40	•	16	232	48	696	-0.8	-608	180	2470
2 5/8	65	8.0	40	•	16	232	48	696	-0.8	-608	190	2870
3	75	8.0	40	•	16	232	48	696	-0.8	-608	225	3310
3 1/8	80	8.0	40	•	16	232	48	696	-0.8	-608	300	3510
4	100	9.0	40	•	16	232	48	696	-0.8	-608	350	4650

Pressure and vacuum based on room temperature and adequate bending radius / High pressure and/or temperature lead to reduced component durability





PURPLE SNAKE®

Internationally the No.1 hose for the brewing and beverage industry

Application

PURPLE SNAKE® in improved quality is the ideal hose for breweries, winepresses, bottlers and many other installations in the brewing, beverage and spirits industry. Flexibility, pressure resistance and long service life - even under extreme working conditions - are additional advantages, which make the hose most popular all over the world. The new, optimized lining conforms to foodstuffs regulations and is absolutely neutral to taste and odour, homogeneous, smooth and temperature resistant up to +90°C (+194°F). The hose is resistant to conventional cleaning agents and disinfectants. PURPLE SNAKE® can easily be cleaned conventionally or by CIP installations. Together with our swaged coupling systems and rubber protection rings it becomes the ideal hose assembly!

Marking

Blue wavy line on red cover, interrupted by the words "Continental Contitech PURPURSCHLANGE® FDA glass/fork symbol BfR EG 1935/2004 2023/2006 Made in Germany", spirally applied

Description

- › White, non-porous and high-performing special lining, absolutely neutral to taste and odour
- › Reinforcements: synthetic fibres
- › Red, fabric patterned special cover, resistant to ozone, weather, UV and abrasion
- › Working pressure up to 16 bar / 232 psi
- › Temperature range from -30°C up to +90°C / -22°F up to +194°F (up to +100°C / +212°F max. 60 minutes)
- › Can be steamed up to +130°C / +266°F (max. 30 minutes)
- › Suitable for pure alcohol up to 98%
- › Meets the requirements of EG 1935/2004 and EG 2023/2006
- › Meets the recommendation XXI cat. 2 of BfR and FDA (21 CFR 177.2600)
- › 3 years warranty

Technical data

nominal width zoll/inch	inner-Ø mm	wall thickness mm	length m	steel wire helix	working pressure		min. burst pressure		vacuum		min. bending radius aprx. mm	weight aprx. g/m
					bar	psi	bar	psi	bar	mmHg		
1/2	13	3.5	40		16	232	48	696	-0.6	-456	80	250
5/8	16	4.0	40		16	232	48	696	-0.6	-456	100	300
3/4	19	5.0	40		16	232	48	696	-0.6	-456	120	450
1	25	6.0	40		16	232	48	696	-0.5	-380	160	750
1 1/4	32	8.0	40		16	232	48	696	-0.5	-380	190	1200
1 1/4	32	8.0	60		16	232	48	696	-0.5	-380	230	1200
1 1/2	38	9.0	40		16	232	48	696	-0.5	-380	230	1600
1 9/16	40	9.0	40		16	232	48	696	-0.5	-380	240	1650
2	50	8.0	40	•	16	232	48	696	-0.8	-608	250	2050
2	50	10.0	40		16	232	48	696	-0.4	-304	300	2200
2 5/8	65	12.0	40		16	232	48	696	-0.4	-304	450	3300
3	75	8.0	40	•	16	232	48	696	-0.8	-608	375	3150
3	75	12.0	40		16	232	48	696	-0.3	-228	500	3800
3 1/8	80	8.0	40	•	16	232	48	696	-0.8	-608	400	3320
3 1/8	80	14.0	40		16	232	48	696	-0.3	-228	560	4800
4	100	9.0	40	•	16	232	48	696	-0.8	-608	500	4850
4	100	15.0	40		16	232	48	696	-0.3	-228	700	6400

Pressure and vacuum based on room temperature / High pressure and/or temperature lead to reduced component durability

ContiTech Fluid Technology
Market segment industrial hose

ContiTech Schlauch GmbH
Continentalstraße 3-5 | 34497 Korbach, Germany

industrial.hoses@fluid.contitech.de

www.contitech.de
www.purpurschlange.de

The content of this publication is not legally binding and is provided as information only. The trademarks displayed in this publication are the property of Continental AG and/or its affiliates. Copyright © 2014 Contitech AG. All rights reserved. For complete information go to: www.contitech.de/disc_en





PURPLE SNAKE® PLUS

Internationally the No.1 hose for the brewing and beverage industry

Application

PURPLE SNAKE® PLUS is the best hose for breweries, wineries, bottlers and many other installations in the brewing, beverage and spirits industry. The white UPE lining is absolutely neutral to taste and odour, homogeneous, smooth, free of plasticizers and temperature resistant up to +95°C (+203°F). Flexibility, pressure resistance and long service life – even under extreme working conditions – are additional advantages, which make the hose most popular all over the world. PURPLE SNAKE® PLUS can easily be cleaned conventionally or by CIP installations. Together with our swaged coupling systems and rubber protection rings it becomes the ideal hose assembly!

Marking

axially applied blue wavy line on red cover "Continental ContiTech PURPURSCHLANGE® PLUS FDA glass/fork symbol BfR EG 1935/2004 2023/2006 Made in Germany"

Description

- › White, non-porous and smooth UPE lining, absolutely neutral to taste and odour
- › Reinforcements: synthetic fibres
- › Red, fabric patterned special cover, resistant to ozone, weather, UV and abrasion
- › Working pressure up to 16 bar / 232 psi
- › Temperature range from -30°C up to +95°C / -22°F up to +203°F (+110°C / +230°F max. 60 minutes)
- › Can be steamed up to +130°C / +266°F (max. 30 minutes)
- › Suitable for pure alcohol up to 100%
- › Meets the requirements of EG 1935/2004, EG 2023/2006 and EU 10/2011
- › Meets the recommendation III of BfR and FDA (21 CFR 177.1520)
- › 3 years' warranty

Technical data

nominal width	inner-Ø	wall thickness	length	steel wire helix	working pressure	min. burst pressure	vacuum	min. bending radius	weight
zoll/inch	mm	mm	m		bar	psi	bar	aprx. mm	aprx. g/m
1	25	6.0	40		16	232	48	160	800
1 1/4	32	6.0	40		16	232	48	200	900
1 9/16	40	7.0	40		16	232	48	250	1150
2	50	8.0	40		16	232	48	230	1650
2 5/8	65	12.0	40		16	232	48	400	2650
3 1/8	80	8.0	40	•	16	232	48	450	3900
4	100	9.0	40	•	16	232	48	550	4750

Pressure and vacuum based on room temperature / High pressure and/or temperature lead to reduced component durability / Warranty refers to faulty material and manufacture provided that couplings have been fitted by experts, that the recommended working conditions have been respected and that the hose has been used properly





BLAUDIECK® LGD

The beverage and foodstuff hose

Application

The BLAUDIECK® LGD-hose offers high quality at a reasonable price. The hygienically smooth, non-porous lining is absolutely neutral to taste and odour and thus suitable for various applications in the beverage and foodstuffs industry. It is resistant to commonly used cleaning and disinfecting products and can easily be cleaned conventionally or by CIP installations. Both, lining and cover are resistant to oil and fats. Together with our swaged coupling systems and rubber protection rings it becomes the ideal hose assembly!

Marking

2 white stripes on blue cover "Continental ContiTech BLAUDIECK® FDA glass/fork symbol BfR EG 1935/2004 2023/2006 Made in Germany" spirally applied

Description

- › White, non-porous and smooth NBR lining, absolutely neutral to taste and odour
- › Reinforcements: synthetic fibres
- › Blue, fabric patterned NBR-cover, resistant to ozone, weather, UV and abrasion
- › Working pressure up to 16 bar / 232 psi
- › Temperature range from -30°C up to +80°C / -22°F up to +176°F (+90°C / +194°F max. 20 minutes)
- › Can be steamed up to +110°C / +230°F (+130°C / +266°F max. 20 minutes)
- › Lining and cover resistant to oil and fats
- › Meets the requirements of EG 1935/2004 and EG 2023/2006
- › Meets the recommendation XXI cat. 2 of BfR and FDA (21 CFR 177.2600)

Technical data

nominal width zoll/inch	inner-Ø mm	wall thickness mm	length m	working pressure		min. burst pressure		vacuum		min. bending radius aprx. mm	weight aprx. g/m
				bar	psi	bar	psi	bar	mmHg		
1/2	13	4.0	40	16	232	48	696	-0.6	-456	80	280
5/8	16	4.0	40	16	232	48	696	-0.6	-456	100	320
3/4	19	5.0	40	16	232	48	696	-0.6	-456	115	500
1	25	6.0	40	16	232	48	696	-0.5	-380	150	800
1 1/4	32	8.0	40	16	232	48	696	-0.5	-380	195	1400
1 1/2	38	9.0	40	16	232	48	696	-0.5	-380	230	1700
1 9/16	40	9.0	40	16	232	48	696	-0.5	-380	240	1900
2	50	10.0	40	16	232	48	696	-0.4	-304	300	2700
2 5/8	65	12.0	40	16	232	48	696	-0.4	-304	455	3800
3	75	12.0	40	16	232	48	696	-0.3	-228	525	4100
3 1/8	80	14.0	40	16	232	48	696	-0.3	-228	560	5100
4	100	15.0	40	16	232	48	696	-0.3	-228	700	6700

Pressure and vacuum based on room temperature / High pressure and/or temperature lead to reduced component durability





BLAUDIECK® LGDS

The vacuum resistant beverage and foodstuff hose

Application

The BLAUDIECK® LGDS-hose as a vacuum resistant construction with an integrated steel wire helix offers high quality at a reasonable price. The hygienically smooth, non-porous lining is absolutely neutral to taste and odour and thus suitable for various applications in the beverage and food industry. It is resistant to commonly used cleaning and disinfecting products and can easily be cleaned conventionally or by CIP installations. Both, lining and cover are resistant to oil and fats. Together with our swaged coupling systems and rubber protection rings it becomes the ideal hose assembly!

Marking

2 white stripes on blue cover "Continental ContiTech BLAUDIECK® FDA glass/fork symbol BfR EG 1935/2004 2023/2006 Made in Germany" spirally applied

Description

- › White, non-porous and smooth NBR lining, absolutely neutral to taste and odour
- › Reinforcements: synthetic fibres
- › With steel wire helix
- › Blue, fabric patterned NBR-cover, resistant to ozone, weather, UV and abrasion
- › Working pressure up to 16 bar / 232 psi
- › Temperature range from -30°C bis +80°C / -22°F up to +176°F (+90°C / +194°F max. 20 minutes)
- › Can be steamed up to +110°C / +230°F (+130°C / +266°F max. 20 minutes)
- › Lining and cover both resistant to oil and fats
- › Meets the requirements of EG 1935/2004 and EG 2023/2006
- › Meets the recommendation XXI cat. 2 of BfR and FDA (21 CFR 177.2600)

Technical data

nominal width	inner-Ø	wall thickness	length	steel wire helix	working pressure	min. burst pressure	vacuum	min. bending radius	weight		
zoll/inch	mm	mm	m		bar	psi	bar	mmHg	aprx. g/m		
3/4	19	5.0	40	•	16	232	48	696	-0.8 -608	60	600
1	25	6.0	40	•	16	232	48	696	-0.8 -608	80	880
1 1/4	32	6.0	40	•	16	232	48	696	-0.8 -608	100	1100
1 1/2	38	6.5	40	•	16	232	48	696	-0.8 -608	115	1430
1 9/16	40	7.0	40	•	16	232	48	696	-0.8 -608	130	1640
2	50	8.0	40	•	16	232	48	696	-0.8 -608	150	2170
2 5/8	65	8.0	40	•	16	232	48	696	-0.8 -608	190	2870
3	75	8.0	40	•	16	232	48	696	-0.8 -608	225	3310
3 1/8	80	8.0	40	•	16	232	48	696	-0.8 -608	300	3510
4	100	9.0	40	•	16	232	48	696	-0.8 -608	350	4650

Pressure and vacuum based on room temperature / High pressure and/or temperature lead to reduced component durability





BLAUDIECK® LGDU

The beverage and foodstuff hose with UPE liner

Application

The BLAUDIECK® LGDU-hose offers high quality at a reasonable price. The hygienically smooth, non-porous UPE lining free of plasticizers is absolutely neutral to taste and odour and thus suitable for various applications in the beverage and foodstuffs industry. It is extremely resistant to commonly used cleaning and disinfecting products and can easily be cleaned conventionally or by CIP installations. Both, lining and cover are resistant to oil, fats and aggressive chemicals such as acids and caustics. Together with our swaged coupling systems and rubber protection rings it becomes the ideal hose assembly!

Marking

2 white stripes on blue cover "Continental ContiTech BLAUDIECK® UPE FDA glass/fork symbol BfR EG 1935/2004 2023/2006 Made in Germany" spirally applied

Description

- › White, non-porous, smooth UPE lining, free of plasticizers, absolutely neutral to taste and odour
- › Reinforcements: synthetic fibres
- › Blue, fabric patterned NBR-cover, resistant to ozone, weather, UV and abrasion
- › Working pressure up to 16 bar / 232 psi
- › Temperature range from -30°C up to +95°C / -22°F up to +203°F (+110°C / +230 °F max. 60 minutes)
- › Can be steamed up to +130°C / +266°F (max. 30 minutes)
- › Suitable for pure alcohol up to 100%
- › Lining and cover resistant to oil and fats
- › Meets the requirements of EG 1935/2004, EG 2023/2006 and EU 10/2011
- › Meets the recommendation III of BfR and FDA (21 CFR 177.1520)

Technical data

nominal width zoll/inch	inner-Ø mm	wall thickness mm	length m	working pressure		min. burst pressure		vacuum		min. bending radius aprx. mm	weight aprx. g/m
				bar	psi	bar	psi	bar	mmHg		
1	25	6.0	40	16	232	48	696	-0.6	-456	150	750
1 1/4	32	8.0	40	16	232	48	696	-0.6	-456	200	1200
1 9/16	40	9.0	40	16	232	48	696	-0.6	-456	250	1480
2	50	10.0	40	16	232	48	696	-0.5	-380	350	2050
2 5/8	65	12.0	40	16	232	48	696	-0.5	-380	450	3120
3	75	12.0	40	16	232	48	696	-0.4	-304	500	3450
3 1/8	80	14.0	40	16	232	48	696	-0.4	-304	650	4390
4	100	15.0	40	16	232	48	696	-0.4	-304	750	5800

Pressure and vacuum based on room temperature / High pressure and/or temperature lead to reduced component durability





BLAUDIECK® LGDSU

The vacuum resistant beverage and foodstuff hose with UPE liner

Application

The BLAUDIECK® LGDSU-hose as a vacuum resistant construction with an integrated steel wire helix offers high quality at a reasonable price. The hygienically smooth, non-porous UPE lining free of plasticizers is absolutely neutral to taste and odour and thus suitable for various applications in the beverage and foodstuffs industry. It is extremely resistant to commonly used cleaning and disinfecting products and can easily be cleaned conventionally or by CIP installations. Both, lining and cover are resistant to oil, fats and aggressive chemicals such as acids and caustics. Together with our swaged coupling systems and rubber protection rings it becomes the ideal hose assembly!

Marking

2 white stripes on blue cover "Continental ContiTech BLAUDIECK® UPE FDA glass/fork symbol BfR EG 1935/2004 2023/2006 Made in Germany" spirally applied

Description

- › White, non-porous, smooth UPE lining, free of plasticizers, absolutely neutral to taste and odour
- › Reinforcements: synthetic fibres
- › With steel wire helix
- › Blue, fabric patterned NBR-cover, resistant to ozone, weather, UV and abrasion
- › Working pressure up to 16 bar / 232 psi
- › Temperature range from -30°C up to +95°C / -22°F up to +203°F (+110°C / +230 °F max. 60 minutes)
- › Can be steamed up to +130°C / +266°F (max. 30 minutes)
- › Suitable for pure alcohol up to 100%
- › Lining and cover resistant to oil and fats
- › Meets the requirements of EG 1935/2004, EG 2023/2006 and EU 10/2011
- › Meets the recommendation III of BfR and FDA (21 CFR 177.1520)

Technical data

nominal width	inner-Ø	wall thickness	length	steel wire helix	working pressure		min. burst pressure		vacuum		min. bending radius	weight
					bar	psi	bar	psi	bar	mmHg		
zoll/inch	mm	mm	m								aprx. mm	aprx. g/m
1	25	6.0	40	•	16	232	48	696	-0.8	-608	170	760
1 1/4	32	6.0	40	•	16	232	48	696	-0.8	-608	200	1050
1 9/16	40	7.0	40	•	16	232	48	696	-0.8	-608	250	1450
2	50	8.0	40	•	16	232	48	696	-0.8	-608	330	2000
2 5/8	65	8.0	40	•	16	232	48	696	-0.8	-608	430	2520
3	75	8.0	40	•	16	232	48	696	-0.8	-608	500	2840
3 1/8	80	8.0	40	•	16	232	48	696	-0.8	-608	530	3050
4	100	9.0	40	•	16	232	48	696	-0.8	-608	660	4180

Pressure and vacuum based on room temperature / High pressure and/or temperature lead to reduced component durability





FLUOROPAL® Food + Drink

The high-end hose for the food and beverage industry

Application

FLUOROPAL® Food + Drink is the premium high-end hose for pharmaceutical and cosmetic industrial applications in a range of limited conditions, as well as for the food and beverage industry. Due to its fluoroplastic lining the FLUOROPAL® is resistant to the most extreme temperature ranges. Constant temperatures up to +125°C (+257°F) and short-term temperatures for cleaning up to +150°C (+320°F) are no problem. Moreover, the all-rounder is highly resistant to commonly used cleaning and disinfecting products and almost all chemicals. The high-temperature resistant EPDM-cover is resistant to ozone and weather. Combined with our swaged fitting systems and blue protective rubber rings, the result is the ideal hose assembly.

Marking

2 red spiral stripes with integrated white wavy line, interrupted by the words "Continental ContiTech FLUOROPAL® FDA glass/fork symbol BfR EG 1935/2004 2023/2006 Made in Germany" on blue cover, spirally applied

Description

- › White, seamless smooth, anti-adhesive fluoroplastic lining, absolutely neutral to taste and odour
- › Reinforcements: synthetic fibres
- › With steel wire helix
- › Blue, fabric patterned EPDM-cover, resistant to ozone, weather, UV and abrasion
- › Working pressure up to 16 bar / 232 psi
- › Temperature range from -30°C up to +125°C / -22°F up to +257°F, short term up to +150°C / +302°F
- › Can be steamed up to +150°C / +302°F (max. 30 minutes)
- › Meets the requirements of EG 1935/2004, EG 2023/2006 and EU 10/2011
- › Meets FDA (21 CFR 177.1550)
- › Meets the recommendation XXI cat. 2 of BfR
- › Meets USP Class VI

Technical data

nominal width	inner-Ø	wall thickness	length	steel wire helix	working pressure		min. burst pressure		vacuum		min. bending radius	weight
zoll/inch	mm	mm	m		bar	psi	bar	psi	bar	mmHg	aprx. mm	aprx. g/m
1/2	13	4.5	40		16	232	48	696	-0.6	-456	50	330
3/4	19	5.5	40	•	16	232	48	696	-0.8	-608	80	650
1	25	6.0	40	•	16	232	48	696	-0.8	-608	100	830
1 1/4	32	6.0	40	•	16	232	48	696	-0.8	-608	125	1090
1 9/16	40	7.0	40	•	16	232	48	696	-0.8	-608	160	1515
2	50	8.0	40	•	16	232	48	696	-0.8	-608	200	2130
2 5/8	65	8.0	40	•	16	232	48	696	-0.8	-608	260	2900
3	75	8.0	40	•	16	232	48	696	-0.8	-608	300	3320
3 1/8	80	8.0	40	•	16	232	48	696	-0.8	-608	320	3510

Pressure and vacuum based on room temperature / High pressure and/or temperature lead to reduced component durability





CONTI® SILO FOOD

High quality for the conveying of synthetic granules and dry food

Application

CONTI® SILO FOOD is the perfect conveying hose for the use in the food industry. The white compound of the smooth liner is high abrasion resistant and fulfills the requirements acc. to FDA (dry food) and BfR XXI cat.4. The ideal hose for conveying high abrasive bulk material, such as granules, sugar, flour and the like. The hose is flexible, has a high mechanical load capacity and the construction of the hose line is electrically conductive.

Marking

3 orange axially applied stripes on black cover "Continental ContiTech SILO FOOD glass/fork symbol BfR FDA DN 75 PN 5 BAR / 73 PSI Made in Germany"

Description

- › White, smooth extruded NBR-lining, highly resistant to abrasion
- › Textile reinforcement with 2 embedded Cu-wires
- › Black, fabric patterned CR-cover, abrasion resistant, electrically conductive $R < 10^6 \Omega$
- › Working pressure up to 5 bar / 72psi
- › Temperature range from -40°C up to +80°C / -40°F up to +176°F
- › According to FDA (dry food) and BfR XXI cat.4
- › M-type hose acc. to TRBS2153 no.4.9 (Cu-wires to be grounded on both sides)

Technical data

nominal width zoll/inch	inner-Ø mm	wall thickness mm	length m	working pressure		min. burst pressure		min. bending radius aprx. mm	weight aprx. g/m
				bar	psi	bar	psi		
2	50	8.0	40	5	73	15	218	250	2250
2 1/2	65	8.0	40	5	73	15	218	325	2700
3	75	9.0	40	5	73	15	218	375	3550
4	100	10.0	40	5	73	15	218	500	5000

Pressure based on room temperature / High pressure and/or temperature lead to reduced component durability





CONTI® CLEANJET - FDA

The ideal cleaning hose for conveying cold and hot water

Application

CONTI® CLEANJET - FDA is the perfect cleaning (washdown) hose for the food and beverage industry. The hose is designed for cold water as well as hot water up to +80°C (+176°F). CONTI® CLEANJET - FDA is able to convey hot oil and fluid fatty food.

Marking

"Continental ContiTech CLEANJET DN 19 PN 10 BAR / 145 PSI FDA glass/fork symbol EG 1935/2004 2023/2006 Made in Germany" on blue cover

Description

- › White, non-porous NBR lining
- › Reinforcements: synthetic fibres
- › Blue, fat resistant NBR cover (also chicken fat), resistant to ozone, weather, UV and abrasion
- › Working pressure up to 90 bar / 1305 psi
- › Temperature range from -20°C up to +80°C / -4°F up to +176°F, short term up to +100°C / +212°F
- › Can be steamed up to 6 bar / 87 psi (+164°C / +327°F) for sterilisation - open system only
- › Highly flexible
- › Lining and cover both resistant to oil and fats
- › Meets the requirements of EG 1935/2004 und EG 2023/2006
- › Meets the recommendation FDA (21 CFR 177.2600)

Technical data

nominal width zoll/inch	inner-Ø mm	wall thickness mm	length m	working pressure		min. burst pressure		min. bending radius aprx. mm	weight aprx. g/m
				bar	psi	bar	psi		
1/2	12.5	4.8	> 5	90	1305	360	5221	80	335
1/2	13	4.0	> 5	10	145	30	435	130	320
5/8	15	4.5	40	10	145	30	435	150	425
3/4	19	4.5	40	10	145	30	435	190	460

Pressure based on room temperature / High pressure and/or temperature lead to reduced component durability





TRIX® MULTIFOOD - white

The versatile hose for the food industry

Application

TRIX® MULTIFOOD is the universal hose for the food industry. It can be used in dairy, cheese production, margarine production, large-scale catering establishments, fish processing industry as well as in breweries, slaughter-houses, oil mills, skinning industry, large-scale butcher's shops and jam production. It is suitable for conveying milk, whey and hot water up to +90°C (+194°F).

Marking

"Continental ContiTech TRIX® MULTIFOOD DN 13 PN 20 BAR / 290 PSI glass/fork symbol FDA Made in Germany" on white cover

Description

- › White, homogeneous, smooth, NBR-lining, absolutely neutral to taste and odour
- › Reinforcements: synthetic fibres
- › White, smooth NBR-cover, resistant to ozone, weather, UV, oils, fats and abrasion
- › Working pressure up to 20 bar / 290 psi
- › Temperature range from -20°C up to +90°C / -4°F up to +194°F
- › Can be steamed up to 6 bar / 87 psi (+164°C / +327°F) - open system only
- › Meets the requirements of EG 1935/2004 and EG 2023/2006
- › Meets FDA (21 CFR 177.2600)

Technical data

nominal width zoll/inch	inner-Ø mm	wall thickness mm	length m	working pressure		min. burst pressure		min. bending radius aprx. mm	weight aprx. g/m
				bar	psi	bar	psi		
1/2	13	5.0	40	20	290	60	870	95	430
5/8	16	5.0	40	20	290	60	870	115	500
3/4	19	6.0	40	20	290	60	870	150	700
1	25	7.0	40	20	290	60	870	200	1050

Pressure based on room temperature / High pressure and/or temperature lead to reduced component durability





TRIX[®] MULTIFOOD - blue

The versatile hose for the food industry

Application

TRIX[®] MULTIFOOD is the universal hose for the food industry. It can be used in dairy, cheese production, margarine production, large-scale catering establishments, fish processing industry as well as in breweries, slaughter-houses, oil mills, skinning industry, large-scale butcher's shops and jam production. It is suitable for conveying milk, whey and hot water up to +90°C (+194°F).

Marking

"Continental ContiTech TRIx[®] MULTIFOOD DN 13 PN 20 BAR / 290 PSI glass/fork symbol FDA Made in Germany" on blue cover

Description

- › White, homogeneous, smooth NBR-lining, absolutely neutral to taste and odour
- › Reinforcements: synthetic fibres
- › Blue, smooth NBR-cover, resistant to ozone, weather, UV, oils, fats and abrasion
- › Working pressure up to 20 bar / 290 psi
- › Temperature range from -20°C up to +90°C / -4°F up to +194°F
- › Can be steamed up to 6 bar / 87 psi (+164°C / +327°F) - open system only
- › Meets the requirements of EG 1935/2004 and EG 2023/2006
- › Meets FDA (21 CFR 177.2600)

Technical data

nominal width zoll/inch	inner-Ø mm	wall thickness mm	length m	working pressure		min. burst pressure		min. bending radius aprx. mm	weight aprx. g/m
				bar	psi	bar	psi		
1/2	13	5.0	40	20	290	60	870	95	430
5/8	16	5.0	40	20	290	60	870	115	500
3/4	19	6.0	40	20	290	60	870	150	700
1	25	7.0	40	20	290	60	870	200	1050

Pressure based on room temperature / High pressure and/or temperature lead to reduced component durability





PAGUFIX® 3000 female part - DIN 11851

The ideal swaged coupling for the beverage and foodstuff industries

Application

In order to meet the very severe hygiene and safety requirements in the brewing, beverage and foodstuffs industries, ContiTech Schlauch GmbH offers the PAGUFIX 3000 swaged coupling, which sets new standards in quality and swaging technology. Manufactured from stainless steel 1.4301 and available in all common nominal sizes of hose, PAGUFIX 3000 is the ideal connection for all beer, beverage and foodstuffs hoses from ContiTech Schlauch GmbH - whether they contain a steel-wire helix or not. Of course, this high-quality coupling is also available in other material qualities and special designs, ensuring that it can be adapted to best meet individual specifications. With this coupling system, the hose assembly can no longer become a HACCP problem.

Marking

"PAGUFIX 3000 DN 50x8 - 1.4301"

Special types available on request

Special types of couplings and other thread types available on request (e.g. SMS 1145, IDF ISO 2853, RJT BS 4825, DS 722, Aseptic DIN 11864 part 1, clamp, open welding end).

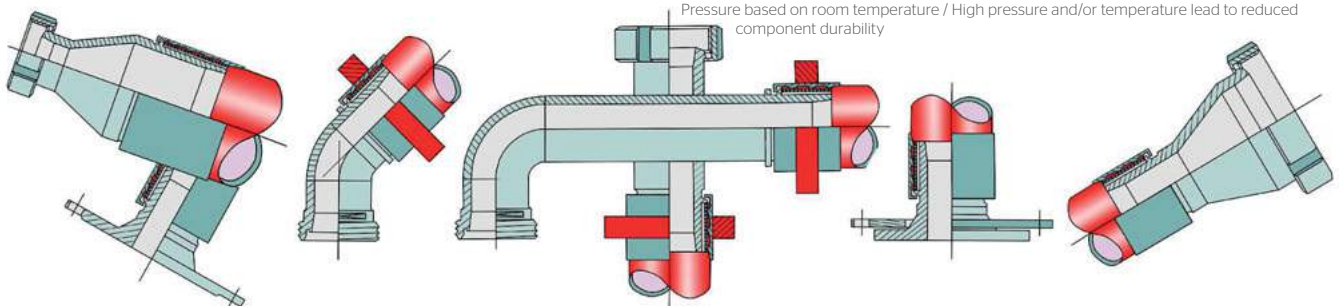
Description

- › Suitable for a great variety of applications in the brewing, beverage and foodstuff industry
- › Smooth and hygienically clean connection, without any transition between lining and fitting
- › Perfect seal of the hose end (no wicking effect)
- › Very high compression strength and resistance to pull-off forces up to 50 bar, also with hot cleaning
- › No damage to lining through swaging process
- › Rubber protection rings available in blue

Technical data

nominal width zoll/inch	Inner- Ø mm	wall thickness mm	working pressure		min. burst pressure		weight aprx. g/piece
			bar	psi	bar	psi	
1/2	13	4.0	16	232	48	696	220
3/4	19	5.0	16	232	48	696	290
1	25	6.0	16	232	48	696	410
1 1/4	32	6.0	16	232	48	696	610
1 1/4	32	8.0	16	232	48	696	630
1 1/2	38	6.5	16	232	48	696	870
1 1/2	38	9.0	16	232	48	696	870
1 2/3	40	7.0	16	232	48	696	870
1 2/3	40	9.0	16	232	48	696	870
2	50	8.0	16	232	48	696	1110
2	50	10.0	16	232	48	696	1200
2 5/8	65	8.0	16	232	48	696	1840
2 5/8	65	12.0	16	232	48	696	1880
3	75	8.0	16	232	48	696	2115
3	75	12.0	16	232	48	696	2130
3 1/8	80	8.0	16	232	48	696	2400
3 1/8	80	14.0	16	232	48	696	2400
4	100	9.0	16	232	48	696	3030
4	100	15.0	16	232	48	696	3050

Pressure based on room temperature / High pressure and/or temperature lead to reduced component durability





PAGUFIX® 3000 male part - DIN 11851

The ideal swaged coupling for the beverage and foodstuff industries

Application

In order to meet the very severe hygiene and safety requirements in the brewing, beverage and foodstuffs industries, ContiTech Schlauch GmbH offers the PAGUFIX 3000 swaged coupling, which sets new standards in quality and swaging technology. Manufactured from stainless steel 1.4301 and available in all common nominal sizes of hose, PAGUFIX 3000 is the ideal connection for all beer, beverage and foodstuffs hoses from ContiTech Schlauch GmbH - whether they contain a steel-wire helix or not. Of course, this high-quality coupling is also available in other material qualities and special designs, ensuring that it can be adapted to best meet individual specifications. With this coupling system, the hose assembly can no longer become a HACCP problem.

Marking

"PAGUFIX 3000 DN 50x8 - 1.4301"

Special types available on request

Special fittings (SMS 1145, IDF ISO 2853, RJT BS 4825, DS 722, Aseptik DIN 11864 Teil 1, Clamp, weld-on end) upon request.

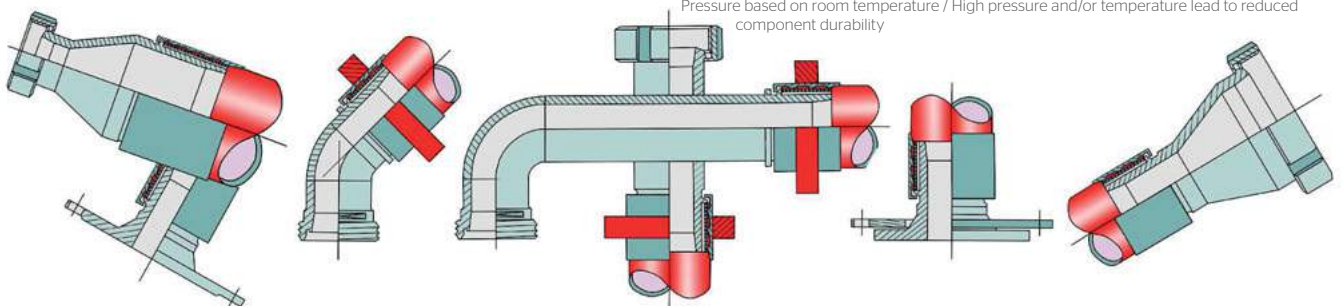
Description

- › Suitable for a great variety of applications in the brewing, beverage and foodstuff industry
- › Smooth and hygienically clean connection, without any transition between lining and fitting
- › Perfect seal of the hose end (no wicking effect)
- › Very high compression strength and resistance to pull-off forces up to 50 bar, also with hot cleaning
- › No damage to lining through swaging process
- › Rubber protection rings available in blue

Technical data

nominal width	Inner-Ø	wall thickness	working pressure		min. burst pressure		weight
			bar	psi	bar	psi	
1/2	13	4.0	16	232	48	696	180
3/4	19	5.0	16	232	48	696	210
1	25	6.0	16	232	48	696	540
1 1/4	32	6.0	16	232	48	696	430
1 1/4	32	8.0	16	232	48	696	450
1 1/2	38	6.5	16	232	48	696	610
1 1/2	38	9.0	16	232	48	696	610
1 2/3	40	7.0	16	232	48	696	770
1 2/3	40	9.0	16	232	48	696	780
2	50	8.0	16	232	48	696	830
2	50	10.0	16	232	48	696	920
2 5/8	65	8.0	16	232	48	696	1210
2 5/8	65	12.0	16	232	48	696	1250
3	75	8.0	16	232	48	696	1400
3	75	12.0	16	232	48	696	1400
3 1/8	80	8.0	16	232	48	696	1500
3 1/8	80	14.0	16	232	48	696	1500
4	100	9.0	16	232	48	696	1930
4	100	15.0	16	232	48	696	3050

Pressure based on room temperature / High pressure and/or temperature lead to reduced component durability





BLAUDIECK® Hose Coupling System female part

The piggable coupling - DIN 11851

Application

On request, ContiTech Schlauch GmbH supplies any desired hose length - either with or without steelwire - pre-fitted with the Blaudieck® coupling system. In the brewing, beverage and foodstuffs industries, this system is a recognized standard when an ultra-hygienic hose assembly is required which enables an easy flow of the product without any clearance volume and which can be easily cleaned mechanically (piggable). The high pressure resistance of the couplings helps prevent accidents. Stainless steel 1.4301 is used as a standard for this coupling system. Other materials on request.

Marking

"BLAUDIECK DN 50x8 - 1.4301"

On request we deliver the following coupling types

- › DIN 11864-1 aseptic
- › clamp - design Inch
- › ISO 2853 IDF international
- › BS 4825 RJT British Standard
- › SMS 1145 SMS Swedish Standard
- › DS 722 DS Danish Standard
- › Open welding end

Description

- › Suitable for a great variety of applications in the brewing, beverage and foodstuff industries
- › Smooth and hygienically clean connection, without any transition between lining and fitting
- › Perfect seal of the hose end (no wicking effect)
- › Resistance to pull-off forces above working pressure
- › No damage to lining through swaging process
- › No variation in cross-section within the couplings area
- › Piggable
- › Rubber protection rings available in blue

Technical data

nominal width zoll/inch	Inner- Ø mm	wall thickness mm	working pressure		min. burst pressure		weight aprx. g/piece
			bar	psi	bar	psi	
1	25	6.0	12	174	48	696	540
1 1/4	32	6.0	12	174	48	696	720
1 1/4	32	8.0	12	174	48	696	720
1 2/3	40	7.0	12	174	48	696	900
1 2/3	40	9.0	12	174	48	696	900
2	50	8.0	12	174	48	696	1240
2	50	10.0	12	174	48	696	1240
2 5/8	65	8.0	12	174	48	696	1580
2 5/8	65	12.0	12	174	48	696	1980
3	75	8.0	12	174	48	696	3520
3	75	12.0	12	174	48	696	3520
3 1/8	80	8.0	12	174	48	696	3600
3 1/8	80	14.0	21	305	48	696	3800
4	100	9.0	12	174	48	696	5050
4	100	15.0	12	174	48	696	5050

Pressure based on room temperature / High pressure and/or temperature lead to reduced component durability





BLAUDIECK® Hose Coupling System male part

The piggable coupling - DIN 11851

Application

On request, ContiTech Schlauch GmbH supplies any desired hose length - either with or without steelwire - pre-fitted with the Blaudieck® coupling system. In the brewing, beverage and foodstuffs industries, this system is a recognized standard when an ultra-hygienic hose assembly is required which enables an easy flow of the product without any clearance volume and which can be easily cleaned mechanically (piggable). The high pressure resistance of the couplings helps prevent accidents. Stainless steel 1.4301 is used as a standard for this coupling system. Other materials on request.

Marking

"BLAUDIECK DN 50x8 - 1.4301"

Description

- › Suitable for a great variety of applications in the brewing, beverage and foodstuff industries
- › Smooth and hygienically clean connection, without any transition between lining and fitting
- › Perfect seal of the hose end (no wicking effect)
- › Resistance to pull-off forces above working pressure
- › No damage to lining through swaging process
- › No variation in cross-section within the couplings area
- › Piggable
- › Rubber protection rings available in blue

On request we deliver the following coupling types:

- › DIN 11864-1 aseptic
- › clamp - design Inch
- › ISO 2853 IDF international
- › BS 4825 RJT British Standard
- › SMS 1145 SMS Swedish Standard
- › DS 722 DS Danish Standard
- › Open welding end

Technical data

nominal width zoll/inch	Inner- Ø mm	wall thickness mm	working pressure		min. burst pressure		weight aprx. g/piece
			bar	psi	bar	psi	
1	25	6.0	12	174	48	696	370
1 1/4	32	6.0	12	174	48	696	550
1 1/4	32	8.0	12	174	48	696	550
1 2/3	40	7.0	12	174	48	696	700
1 2/3	40	9.0	12	174	48	696	700
2	50	8.0	12	174	48	696	950
2	50	10.0	12	174	48	696	950
2 5/8	65	8.0	12	174	48	696	1100
2 5/8	65	12.0	12	174	48	696	1500
3	75	8.0	12	174	48	696	2970
3	75	12.0	12	174	48	696	2970
3 1/8	80	8.0	12	174	48	696	2970
3 1/8	80	14.0	12	174	48	696	3170
4	100	9.0	12	174	48	696	4000
4	100	15.0	12	174	48	696	4000

Pressure based on room temperature / High pressure and/or temperature lead to reduced component durability





PERLAPAL® W

Reliable and safe cleaning

Application

The reliable and safe Perlapal® W hot water and steam hose is especially designed for cleaning purposes in the food, pharmaceutical and cosmetic industry. It is suitable for the safe transport of hot water up to +95°C (+203°F) and steam up to +164°C (+327°F) - for open-end discharge only.

Marking

White spiral with blue, wavy line on blue cover

Description

- › White, non-porous, smooth and homogeneous CIIR lining
- › Reinforcements: synthetic fibres
- › Blue, fabric patterned NBR-cover, resistant to ozone, weather, UV, fats, oils and abrasion
- › Working pressure up to 20 bar / 290 psi (water)
- › Working pressure up to 6 bar / 87 psi for steam
- › Temperature range from -30°C up to +95°C / -22°F up to +203°F (hot water), up to max. +164°C / +327°F (steam - open systems only)
- › 2 years warranty

Technical data

nominal width zoll/inch	inner-Ø mm	wall thickness mm	length m	working pressure		min. burst pressure		min. bending radius aprx. mm	weight aprx. g/m
				bar	psi	bar	psi		
1/2	13	5.0	40	20	290	60	870	80	400
5/8	16	5.5	40	20	290	60	870	100	500
3/4	19	6.0	40	20	290	60	870	115	600
1	25	7.0	40	20	290	60	870	150	800
1 1/4	32	7.0	40	20	290	60	870	195	1200
1 1/2	38	8.0	40	20	290	60	870	230	1500
2	50	8.0	40	20	290	60	870	300	1900

Pressure based on room temperature / High pressure and/or temperature lead to reduced component durability / Warranty refers to faulty material and manufacture provided that couplings have been fitted by experts, that the recommended working conditions have been respected and that the hose has been used properly





PERLAPAL® S

Reliable and safe cleaning

Application

The reliable and safe Perlapal® S hot water and steam hose is especially designed for cleaning purposes in the food, pharmaceutical and cosmetic industry. It is suitable for the safe transport of hot water up to +95°C (+203°F) and steam up to +164°C (+327°F) - for open-end discharge only.

Marking

White spiral with blue, wavy line on blue cover

Description

- › Black, non-porous, smooth and homogeneous CIIR lining
- › Reinforcements: synthetic fibres
- › Blue, fabric patterned NBR-cover, resistant to ozone, weather, UV, fats, oils and abrasion
- › Working pressure up to 20 bar / 290 psi (water)
- › Working pressure up to 6 bar / 87 psi for steam
- › Temperature range from -30°C up to +95°C / -22°F up to +203°F (hot water), up to max. +164°C / +327°F (steam - open systems only)
- › 2 years warranty

Technical data

nominal width zoll/inch	inner-Ø mm	wall thickness mm	length m	working pressure		min. burst pressure		min. bending radius aprx. mm	weight aprx. g/m
				bar	psi	bar	psi		
1/2	13	5.0	40	20	290	60	870	80	400
5/8	16	5.5	40	20	290	60	870	100	500
3/4	19	6.0	40	20	290	60	870	115	600
7/8	22	6.0	40	20	290	60	870	135	700
1	25	7.0	40	20	290	60	870	150	800
1 1/9	28	7.0	40	20	290	60	870	170	1000
1 1/4	32	7.0	40	20	290	60	870	195	1200
1 1/2	38	8.0	40	20	290	60	870	230	1500
2	50	8.0	40	20	290	60	870	300	1900

Pressure based on room temperature / High pressure and/or temperature lead to reduced component durability / Warranty refers to faulty material and manufacture provided that couplings have been fitted by experts, that the recommended working conditions have been respected and that the hose has been used properly



Continental ContiTech DAMPF TRIX® 5000 - DAMPF / STEAM - PN 6 BAR / 87 PSI - Ω Made in Germany



DAMPF TRIX® 5000

Highest quality for conveying saturated steam according to DIN EN ISO 6134 - 1A

Application

The DAMPF TRIX® 5000 steam hose has been designed to meet the highest requirements on hose material for the safe transport of steam and hot water in the chemical and petrochemical industry, the construction industry, landscaping, for the heating of tank wagons, as well as for various other industrial applications. The construction with special textile fibres allows a much higher continuous temperature resistance compared to conventional textiles. Additionally, the high flexibility and its conductivity make the hose a safe and high-class working material.

Marking

3 red coloured axial markings on black cover "Continental ContiTech DAMPF TRIX® 5000 - DAMPF / STEAM - PN 6 BAR / 87 PSI - Ω Made in Germany"

Description

- › Black, non-porous and smooth EPDM lining
- › Reinforcements: high-strength, hydrolysis and temperature resistant aramid
- › Black, smooth EPDM-cover, resistant to ozone, weather, UV and abrasion
- › Working pressure up to 6 bar / 87 psi
- › Temperature range from -40°C up to +120°C / -40°F up to +248°F (hot water), or +164°C / +327°F (steam)
- › Electrically conductive, $R < 10^6 \Omega$ /hose line
- › Meets all requirements as per DIN EN ISO 6134-1A

Technical data

nominal width	inner-Ø	wall thickness	length	working pressure		min. burst pressure		min. bending radius	weight
				bar	psi	bar	psi		
1/2	13	6.0	40	6	87	60	870	130	400
3/4	19	7.0	40	6	87	60	870	190	650
1	25	7.5	40	6	87	60	870	250	900

Attention: Superheated steam will reduce the durability considerably





DAMPF TRIX® 6000

Highest quality for conveying steam according to EN ISO 6134 - 2A

Application

The high-temperature resistant DAMPF TRIX® 6000 steam hose has been designed to meet the most severe working conditions for conveying saturated steam in the chemical and petrochemical industry, in refineries, the construction industry, in shipyards and for various other industrial applications. It is made of an extremely heat resistant EPDM lining and cover assuring the transport of pure, saturated steam at +210°C (+410°F) and 18 bar (261 psi), or even at +220°C (+428°F) and 23 bar (334 psi) for short-time service.

Marking

3 red coloured axial markings on black cover "Continental ContiTech DAMPF TRIX® 6000 - DAMPF / STEAM - PN 18 BAR / 261 PSI - Ω Made in Germany"

Description

- › Black, non-porous and smooth EPDM lining
- › Reinforcements: 2 steel wire braids, excellent resistance to corrosion
- › Black, fabric patterned EPDM-cover, resistant to ozone, weather, UV and abrasion
- › Working pressure up to 18 bar / 261 psi
- › Burst pressure > 180 bar / 2.611 psi, safety factor 10:1
- › Temperature range for saturated steam up to max. +210°C / +410°F, short term +220°C / +428°F at 23 bar / 333 psi (saturated steam)
- › Improved resistance against pop corning
- › Electrically conductive, $R < 10^6 \Omega$ /hose line
- › Meets all requirements as per EN ISO 6134-2A

Technical data

nominal width	inner-Ø	wall thickness	length	working pressure		min. burst pressure		min. bending radius	weight
				bar	psi	bar	psi		
zoll/inch	mm	mm	m					aprx. mm	aprx. g/m
3/8	9.5	6.0	40	18	261	180	2611	100	400
1/2	13	6.0	40	18	261	180	2611	130	530
3/4	19	7.0	40	18	261	180	2611	190	900
1	25	7.5	40	18	261	180	2611	250	1200
1 1/4	32	8.0	40	18	261	180	2611	320	1550
1 1/2	38	8.0	40	18	261	180	2611	380	1800
2	50	9.0	40	18	261	180	2611	500	2600

Attention: Superheated steam will reduce the durability considerably



DAMPF TRIX® 6000 OIL

Highest quality for conveying steam according to EN ISO 6134 - 2B

Application

The new, oil resistant DAMPF TRIX® 6000 OIL is an innovative hightech version in ContiTech's extremely successful steam hose family. Its outstanding heat resistant inner liner made of high quality EPDM allows the conveyance of pure, saturated steam at +210°C (+410°F) and 18 bar (261 psi), or even at +220°C (+428°F) and 23 bar (334 psi) for short-time service. Thanks to its newly developed, oil resistant cover the hose is especially suitable for conveying steam in the chemical and petrochemical industry, in refineries, the building industry, in shipyards and for various other industrial applications under the most grueling conditions - in all places, where existing steam hoses fail at an early stage due to oil contamination from outside. With this single high flexible hose we have managed to solve the conflict between oil resistance on the one hand and high steam temperature resistance on the other hand. DAMPF TRIX® 6000 OIL meets the requirements of DIN EN ISO 6134:2006-2 to the full extent.

Marking

1 red and 2 white coloured axial markings on black cover "Continental ContiTech DAMPF TRIX® 6000 OIL - DAMPF / STEAM - PN 18 BAR / 261 PSI - Ω oil can Made in Germany"

Description

- › Black, non-porous and smooth EPDM lining
- › Reinforcements: 2 steel wire braids, excellent resistance to corrosion
- › Black, fabric patterned special cover, resistant to ozone, weather, UV, oil and abrasion
- › Working pressure up to 18 bar / 261 psi
- › Temperature range for saturated steam up to max. +210°C / +410°F, short term +220°C / +428°F at 23 bar / 333 psi (saturated steam)
- › Optimized resistance against pop corning
- › Electrically conductive, $R < 10^6 \Omega$ /hose line
- › Meets all requirements as per EN ISO 6134-2B

Technical data

nominal width	inner-Ø	wall thickness	length	working pressure		min. burst pressure		min. bending radius	weight
				bar	psi	bar	psi		
zoll/inch	mm	mm	m					aprx. mm	aprx. g/m
1/2	13	6.0	40	18	261	180	2611	130	530
3/4	19	7.0	40	18	261	180	2611	190	900
1	25	7.5	40	18	261	180	2611	250	1200
1 1/4	32	8.0	40	18	261	180	2611	320	1550
1 1/2	38	8.0	40	18	261	180	2611	380	1800
2	50	9.0	40	18	261	180	2611	500	2600

Attention: Superheated steam will reduce the durability considerably

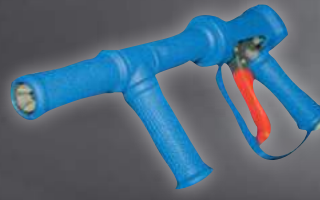




01



02



03

Water-saving gun DINGA

Saving water and protecting the environment

Application

The DINGA water-saving gun of ContiTech Schlauch GmbH is extremely robust and has a long service life due to its high-quality brass/stainless steel design. Additionally, it is protected against shock, heat and cold and has a rubber protection against any damage from caustic solutions and acids. The use of this gun helps to save considerable water and energy costs, which, along with its chemical-free cleaning capability, contributes to the protection of the environment. The flow can be adjusted from a fine spray to a concentrated jet. Thus, the gun is suitable for a careful and efficient cleaning for nearly any professional application.

01 Water-saving gun

02 Hot water-saving gun I

03 Hot water-saving gun II

Description

- › Working pressure up to 25 bar / 363 psi
- › Water temperature max. 50°C / +122°F (Water-saving gun), max. 95°C / +203°F (Hot water-saving gun)
- › Flow rate of water 25 l/minute at 5 bar / 72 psi
- › Cleans carefully and ecologically harmless
- › Robust and with a long service life
- › Resistant to caustic solutions and acids
- › Shock-, heat- and cold-proof
- › Adjustable water jet
- › Internal thread 1/2"
- › Available for hose connections 1/2", 3/4" and 1"
- › Spare parts available on request





TRIX BLAUSTR AHL®

The high quality hose for compressed air

Application

TRIX BLAUSTR AHL® is the top product for heavy duty applications in the field of compressed air handling. The hose meets the DIN EN ISO 2398 standard and is the ideal product for industrial applications, for the mining industry, pits, over- and underground workings, steel and iron industry, shipyards, manufacturers of compressed air equipment and compressors, petrol stations, largescale garages and many other applications more.

Marking

6 blue, axial stripes on black cover "Continental ContiTech TRIX BLAUSTR AHL® DN 19 DIN EN ISO 2398:2010 3C/L-T LUFT/AIR 2,5 MPa (25 BAR / 363 PSI) R < 10⁶ Ω oil can Made in Germany"

Description

- › Black, non-porous and smooth NBR lining
- › Reinforcements: synthetic fibres
- › Black, smooth NBR-cover, resistant to ozone, weather, UV and abrasion
- › From DN 28 upward with CR-cover, fabric patterned
- › Working pressure up to 25 bar / 363 psi
- › Temperature range from -40°C up to +85°C / -40°F up to +185°F
- › Highly flexible, robust
- › Good resistance to oil, RMA Class A
- › Length independently electrically conductive, R < 10⁶ Ω
- › Up to DN 25 release agent- and fat-free, free from any product harmful to lacquer
- › According to DIN EN ISO 2398:2010 3C/L-T, from DN 28 upward according to DIN EN ISO 2398:2010 2C/L-T

Technical data

nominal width	inner-Ø	wall thickness	length	working pressure		min. burst pressure		min. bending radius	weight
zoll/inch	mm	mm	m	bar	psi	bar	psi	aprx. mm	aprx. g/m
1/4	6	4.5	40	25	363	100	1450	25	250
3/8	10	5.0	40	25	363	100	1450	40	340
1/2	13	5.0	40	25	363	100	1450	60	410
1/2	13	6.0	40	25	363	100	1450	50	510
5/8	15	5.0	40	25	363	100	1450	70	460
5/8	15	6.0	40	25	363	100	1450	60	560
3/4	19	5.0	40	25	363	100	1450	85	590
3/4	19	6.0	40	25	363	100	1450	75	690
1	25	7.0	40	25	363	100	1450	100	1000
1 1/8	28	8.0	40	16	232	64	928	170	1260
1 1/4	32	8.0	40	16	232	64	928	200	1380
1 3/8	35	8.0	40	16	232	64	928	220	1500
1 1/2	38	8.0	40	16	232	64	928	240	1600
1 5/8	42	9.0	40	16	232	64	928	330	2000

Pressure based on room temperature / High pressure and/or temperature lead to reduced component durability / DN 28/35/42 no EN-diameters





AIR TRIX®

Compressed air hose according to DIN EN ISO 2398-1A and DIN 20018-1

Application

The AIR TRIX® compressed air hose is the reliable and safe hose for heavy duty service for quarrying, overground and underground workings, for use on compressed air tools or compressors, industrial applications, for the metallurgical industry, shipyards, petrol stations and garages. Also available in construction according to §10 BVOST (previously LOBA).

Marking

2x3 blue, axially applied stripes on black cover interrupted by white lettering "Continental ContiTech AIR TRIX® DN 19 DIN EN ISO 2398:2010 1A / N-T DIN 20018-1 1,0 MPa (10 BAR / 145 PSI) Made in Germany"

Description

- › Black, non-porous, smooth SBR lining
- › Reinforcements: synthetic fibres
- › Black, smooth SBR cover, resistant to ozone, weather, UV, abrasion, water and air containing oil
- › Working pressure up to 10 bar / 145 psi (air), 16 bar / 232 psi (water)
- › Temperature range from -30°C up to +70°C / -22°F up to +158°F
- › Highly flexible, robust, non-buckling, dimensionally stable
- › Release agent- and fat-free, free from any product harmful to lacquer
- › According to DIN EN ISO 2398:2010 1A and DIN 20018-1

Technical data

nominal width	inner-Ø	wall thickness	length	working pressure		min. burst pressure		min. bending radius	weight
				bar	psi	bar	psi		
zoll/inch	mm	mm	m					aprx. mm	aprx. g/m
3/8	10	5.0	40	10	145	40	580	70	340
1/2	13	5.0	40	10	145	40	580	80	410
5/8	15	6.0	40	10	145	40	580	100	560
3/4	19	6.0	40	10	145	40	580	150	690
1	25	7.0	40	10	145	40	580	185	1000

Pressure based on room temperature / High pressure and/or temperature lead to reduced component durability



Continental ContiTech TRIX® BREMSSCHLAUCH / BRAKE HOSE DN 13 DIN 74310 TÜV geprüft Made in Germany 10/13



TRIX® Brake hose

Safety according to DIN 74310

Application

The TRIX® Brake hose is the high quality brake hose for truck brake systems according to DIN 74310. It is robust, very flexible, non-buckling and offers long service life.

Marking

"Continental ContiTech TRIX® BREMSSCHLAUCH / BRAKE HOSE DN 13 DIN 74310 TÜV geprüft Made in Germany month/year" on black cover

Description

- › Black, non-porous and smooth SBR/EPDM lining
- › Reinforcements: synthetic fibres
- › Black, smooth SBR/EPDM-cover, resistant to ozone, weather, UV and abrasion
- › Working pressure up to 10 bar / 145 psi
- › Temperature range from von -40°C bis +70°C / -40°F bis +158°F for air
- › Release agent- and fat-free, free from any product harmful to lacquer
- › According to DIN 74310

Technical data

nominal width	inner-Ø	wall thickness	length	working pressure		min. burst pressure		min. bending radius	weight
				bar	psi	bar	psi		
zoll/inch	mm	mm	m					aprx. mm	aprx. g/m
7/16	11	3.5	40	10	145	40	580	70	260
1/2	13	6.0	40	10	145	40	580	100	500

Pressure based on room temperature / High pressure and/or temperature lead to reduced component durability





TRIX® Respiration hose

Quality according to the European standards

Application

The TRIX® Breathing air hose fulfills all requirements of DIN/EN 14593/14594. The hose allows the transport of inhaled air from the taking pipe to the compressed-air hose appliance. The hose lining is made from materials free from any dangerous products for inhaled air.

Attention: Not suitable for medical use! Lining to be cleaned before use!

Marking

"Continental ContiTech TRIX® ATEMLUFT / BREATHING AIR DN 10 DIN EN 14593 / DIN EN 14594 -B-S-H-F- Year Made in Germany" on black cover

Description

- › Black, non-porous and smooth EPDM-lining
- › Reinforcements: synthetic fibres
- › Black, smooth EPDM-cover, resistant to ozone, weather, UV and abrasion
- › Working pressure up to 10 bar / 145 psi
- › Temperature range from -30°C up to +100°C / -22°F up to +212°F (short term up to +120°C / +248°F)
- › Release agent- and fat-free, free from any product harmful to lacquer
- › Electrically conductive, $10^3 \Omega < R < 10^8 \Omega$
- › According to DIN EN 14593 / DIN EN 14594

Technical data

nominal width zoll/inch	inner-Ø mm	wall thickness mm	length m	working pressure		min. burst pressure		min. bending radius aprx. mm	weight aprx. g/m
				bar	psi	bar	psi		
3/8	9.5	4.5	40	10	145	40	580	50	280

Pressure based on room temperature / High pressure and/or temperature lead to reduced component durability





CONTI® Breathing air hose Plus

Quality according to EN 250

Application

The CONTI® Breathing air hose Plus of ContiTech is suitable for safe and reliable operation on breathing apparatus and light diving equipment. The hose complies with EN 250.

Attention: Not suitable for medical use! Lining to be cleaned before use!

Marking

"Continental ContiTech ATEMLUFT / BREATHING AIR PLUS DN 9 TESTED EN 250 Made in Germany" on black cover

Description

- › Bright, non-porous and smooth NR lining
- › Reinforcements: synthetic fibres
- › Black CR-cover, resistant to weather, ozone and short contact to oil and chemicals
- › Working pressure up to 30 bar / 435 psi
- › Lightweight and flexible
- › Lining according to recommendation XXI, cat. 2 of BfR
- › According to EN 250

Technical data

nominal width	inner-Ø	wall thickness	length	working pressure		min. burst pressure		min. bending radius	weight
				bar	psi	bar	psi		
zoll/inch	mm	mm	m					aprx. mm	aprx. g/m
1/4	6.4	3.2	> 10	30	435	120	1740	70	135
3/8	9	3.5	> 10	30	435	120	1740	90	190

Pressure based on room temperature / High pressure and/or temperature lead to reduced component durability / Other colours of cover on request



Continental ContiTech HOT AIR COMPRESSOR DN 75 PN 6 BAR / 87 PSI Made in Germany

CONTI® Hot air compressor hose

High quality for silo vehicles

Application

The CONTI® Hot air compressor hose is the perfect hose for the use with silo vehicles. The smooth extruded liner compound is qualified for the use with compressed air containing oil dust. The textile reinforcement is protected by a EPDM-coating, which makes the hose ozone and weather resistant. On request the hose is also available with additional elastomer cover.

Marking

3 orange, axially applied stripes on black cover "Continental ContiTech HOT AIR COMPRESSOR DN 75 PN 6 BAR / 87 PSI Made in Germany"

Description

- › Black or white, smooth EPDM-lining
- › reinforcements: synthetic fibres, rubberized, black (optionally with steel wire helix)
- › Optionally construction with black rubber cover
- › Working pressure up to 6 bar / 87 psi
- › Temperature range from -40°C up to +160°C / -40°F up to +320°F (short term up to +180°C / +356°F)

Technical data

nominal width	inner-Ø	wall thick-ness	length	working pressure		min. burst pressure		min. bending radius	weight
				bar	psi	bar	psi		
zoll/inch	mm	mm	m	bar	psi	bar	psi	aprx. mm	aprx. g/m
2	50	8.0	40	6	87	24	348	270	1450
2 5/8	65	9.0	40	6	87	24	348	300	1950
3	75	9.0	40	6	87	24	348	350	2700

Pressure based on room temperature / High pressure and/or temperature lead to reduced component durability





TRIX® Oxygen hose - blue

For the safe transport of oxygen - DIN EN ISO 3821

Application

The TRIX® Oxygen hose blue is designed for the transport of oxygen. It meets the latest regulations of the DIN EN ISO 3821 standard and thus offers the highest possible safety. The hose is extremely robust, flexible, resistant to ozone and weather and has a smooth, dirt-proof cover. The excellent quality is the reason, why the hose is most popular and is being used for decades in installation and heating system companies, foundries, shipyards, for the construction of bridges, in the steel and car body construction, over- and underground workings, in welding shops and at manufacturers of welding apparatus.

Marking

"Continental ContiTech TRIX® AUTOGEN DN 9 DIN EN ISO 3821 2MPa (20 BAR / 290 PSI) Made in Germany" on blue cover

Description

- › Black, non-porous and smooth EPDM lining
- › Reinforcements: synthetic fibres
- › Blue, smooth EPDM-cover, resistant to ozone, weather, UV and abrasion
- › Working pressure up to 20 bar / 290 psi
- › Temperature range from -40°C up to +60°C / -40°F up to +140°F
- › Highly flexible, robust
- › Non-buckling, dimensionally stable
- › Release agent- and fat-free, free from any product harmful to lacquer
- › Lining electrically conductive, $R < 10^6 \Omega/m$
- › According to DIN EN ISO 3821

Technical data

nominal width zoll/inch	inner-Ø mm	wall thickness mm	length m	working pressure		min. burst pressure		min. bending radius aprx. mm	weight aprx. g/m
				bar	psi	bar	psi		
1/6	4	3.5	40	20	290	60	870	15	130
1/4	6.3	3.5	40	20	290	60	870	25	170
1/4	6.3	5.0	40	20	290	60	870	20	260
3/8	9	5.0	40	20	290	60	870	30	330
7/16	11	5.0	40	20	290	60	870	35	370
1/2	12.5	5.0	40	20	290	60	870	45	400
5/8	16	6.0	40	20	290	60	870	55	600

Pressure based on room temperature / High pressure and/or temperature lead to reduced component durability





TRIX® Acetylene hose - red

For the safe transport of fuel gases - DIN EN ISO 3821

Application

The TRIX® Acetylene hose red is designed for the transport of acetylene gases. It meets the latest regulations of the DIN EN ISO 3821 standard and thus offers the highest possible safety. The hose is extremely robust, flexible, resistant to ozone and weather and has a smooth, dirt-proof cover. The excellent quality is the reason, why the hose is most popular and is being used for decades in installation and heating system companies, foundries, shipyards, for the construction of bridges, in the steel and car body construction, over- and underground workings, in welding shops and at manufacturers of welding apparatus.

Marking

"Continental ContiTech TRIX® AUTOGEN DN 9 DIN EN ISO 3821 2MPa (20 BAR / 290 PSI) Made in Germany" on red cover

Description

- › Black, non-porous and smooth EPDM lining
- › Reinforcements: synthetic fibres
- › Red, smooth EPDM-cover, resistant to ozone, weather, UV and abrasion
- › Working pressure up to 20 bar / 290 psi
- › Temperature range from -40°C up to +60°C / -40°F up to +140°F
- › Highly flexible, robust
- › Non-buckling, dimensionally stable
- › Release agent- and fat-free, free from any product harmful to lacquer
- › Lining electrically conductive, $R < 10^6 \Omega/m$
- › According to DIN EN ISO 3821

Technical data

nominal width	inner-Ø	wall thickness	length	working pressure		min. burst pressure		min. bending radius	weight
				bar	psi	bar	psi		
zoll/inch	mm	mm	m					aprx. mm	aprx. g/m
1/6	4	3.5	40	20	290	60	870	15	130
1/4	6.3	3.5	40	20	290	60	870	25	170
3/8	9	3.5	40	20	290	60	870	35	210
7/16	11	3.5	40	20	290	60	870	55	250
1/2	12.5	4.5	40	20	290	60	870	50	370
5/8	16	4.5	40	20	290	60	870	65	430

Pressure based on room temperature / High pressure and/or temperature lead to reduced component durability





TRIX® Air/nitrogen/argon/CO₂ hose - black

DIN EN ISO 3821

Application

The TRIX® Air/nitrogen/argon/CO₂ hose is designed for the transport of non combustible gases. It meets the latest regulations of the DIN EN ISO 3821 standard and thus offers the highest possible safety. The hose is extremely robust, flexible, resistant to ozone and weather and has a smooth, dirt-proof cover. The excellent quality is the reason, why this hose is most popular and is being used for decades in installation and heating system companies, foundries, shipyards, for the construction of bridges, in the steel and car body construction, over- and underground workings, in welding shops and at manufacturers of welding apparatus.

Marking

"Continental ContiTech TRIX® AUTOGEN DN 9 DIN EN ISO 3821 2MPa (20 BAR / 290 PSI) Made in Germany" on black cover

Description

- › Black, non-porous and smooth EPDM lining
- › Reinforcements: synthetic fibres
- › Black, smooth EPDM-cover, resistant to ozone, weather, UV and abrasion
- › Working pressure up to 20 bar / 290 psi
- › Temperature range from -40°C up to +60°C / -40°F up to +140°F
- › Highly flexible, robust
- › Non-buckling, dimensionally stable
- › Release agent- and fat-free, free from any product harmful to lacquer
- › Lining electrically conductive, $R < 10^6 \Omega/m$
- › According to DIN EN ISO 3821

Technical data

nominal width	inner-Ø	wall thickness	length	working pressure		min. burst pressure		min. bending radius	weight
				bar	psi	bar	psi		
zoll/inch	mm	mm	m					aprx. mm	aprx. g/m
1/4	6.3	3.5	40	20	290	60	870	25	170
3/8	9	3.5	40	20	290	60	870	35	210
5/8	16	4.5	40	20	290	60	870	65	385

Pressure based on room temperature / High pressure and/or temperature lead to reduced component durability





TRIX® Universal fuel gas hose

Safety according to DIN EN ISO 3821

Application

The TRIX® Universal fuel gas hose is designed for the transport of all kinds of gases as well as liquid gases according to DIN 51622, propane/butane, natural gas, DMF, MPS and LPG. It meets the latest regulations of the DIN EN ISO 3821 standard and thus offers the highest possible safety. The hose is extremely robust, flexible, resistant to ozone and weather and has a smooth, dirt-proof cover. The excellent quality is the reason, why this hose is most popular and is being used for decades in installation and heating system companies, foundries, shipyards, for the construction of bridges, in the steel and car body construction, over- and underground workings, in welding shops and at manufacturers of welding apparatus.

Marking

"Continental ContiTech TRIX® ALLBRENNGAS DN 9 DIN EN ISO 3821 2MPa (20 BAR / 290 PSI) Made in Germany" on red-orange cover

Description

- › Black, non-porous and smooth NBR lining
- › Reinforcements: synthetic fibres
- › Red-orange, smooth NBR-cover, resistant to ozone, weather, UV and abrasion, from DN 32 upward fabric patterned
- › Working pressure up to 20 bar / 290 psi
- › Temperature range from -40°C up to +60°C / -40°F up to +140°F
- › Highly flexible, robust
- › Non-buckling, dimensionally stable
- › Up to DN 20 release agent- and fat-free, free from any product harmful to lacquer
- › Lining electrically conductive, $R < 10^6 \Omega/m$
- › According to DIN EN ISO 3821

Technical data

nominal width Zoll/inch	inner-Ø mm	wall thickness mm	length m	working pressure		min. burst pressure		min. bending radius aprx. mm	weight aprx. g/m
				bar	psi	bar	psi		
1/4	6.3	3.5	40	20	290	60	870	25	170
3/8	9	3.5	40	20	290	60	870	35	210
7/16	11	3.8	40	20	290	60	870	45	280
1/2	12.5	4.5	40	20	290	60	870	50	370
5/8	16	4.5	40	20	290	60	870	65	430
3/4	20	5.0	40	20	290	60	870	80	590
1 1/4	32	5.5	40	20	290	60	870	210	950

Pressure based on room temperature / High pressure and/or temperature lead to reduced component durability





PHX Oxygen hose - blue

Safety according to DIN EN ISO 3821

Application

The PHX Oxygen hose blue is designed for the transport of oxygen. It can be used on manual welding appliances for shipyards, steel constructions, construction of vehicles, over- and underground workings, installation works and welding workshops. It fully complies with DIN EN ISO 3821.

Marking

"Continental ContiTech PHX AUTOGEN DN 6,3 DIN EN ISO 3821 2MPa (20 BAR / 290 PSI) Made in Germany" on blue cover

Description

- › Black, non-porous and smooth SBR lining
- › Reinforcements: synthetic fibres
- › Blue, smooth SBR-cover, resistant to ozone, weather, UV and abrasion
- › Working pressure up to 20 bar / 290 psi
- › Temperature range up to +60°C / +140°F
- › Flexible, robust
- › Non-buckling, dimensionally stable
- › Release agent- and fat-free, free from any product harmful to lacquer
- › According to DIN EN ISO 3821

Technical data

nominal width	inner-Ø	wall thickness	length	working pressure		min. burst pressure		min. bending radius	weight
				bar	psi	bar	psi		
zoll/inch	mm	mm	m					aprx. mm	aprx. g/m
1/6	4	3.5	40	20	290	60	870	25	130
1/4	6.3	3.5	40	20	290	60	870	30	170
1/4	6.3	5.0	40	20	290	60	870	35	270

Pressure based on room temperature / High pressure and/or temperature lead to reduced component durability





PHX Acetylene hose - red

Safety according to DIN EN ISO 3821

Application

The PHX Acetylene hose red is designed for the transport of acetylene gases. It can be used on manual welding appliances for shipyards, steel constructions, construction of vehicles, over- and underground workings, installation works and welding workshops. It fully complies with DIN EN ISO 3821.

Marking

"Continental ContiTech PHX AUTOGEN DN 6,3 DIN EN ISO 3821 2MPa (20 BAR / 290 PSI) Made in Germany" on red cover

Description

- › Black, non-porous and smooth SBR lining
- › Reinforcements: synthetic fibres
- › Red, smooth SBR-cover, resistant to ozone, weather, UV and abrasion
- › Working pressure up to 20 bar / 290 psi
- › Temperature range up to +60°C / +140°F
- › Flexible, robust
- › Non-buckling, dimensionally stable
- › Release agent- and fat-free, free from any product harmful to lacquer
- › According to DIN EN ISO 3821

Technical data

nominal width	inner-Ø	wall thickness	length	working pressure		min. burst pressure		min. bending radius	weight
				bar	psi	bar	psi		
Zoll/inch	mm	mm	m					aprx. mm	aprx. g/m
1/6	4	3.5	40	20	290	60	870	25	130
1/4	6.3	3.5	40	20	290	60	870	35	170
3/8	9	3.5	40	20	290	60	870	55	215

Pressure based on room temperature / High pressure and/or temperature lead to reduced component durability





CONTI® Flux hose - blue

For the safe transport of fluxes and fuel gases

Application

Flux hoses according to DIN EN ISO 3821 for trade and industry are used on welding and brazing machines, for transporting fuel gases mixed with fluxes and oxygen.

Marking

"ContiTech ContiTech FLUX DN 6,5 DIN EN ISO 3821 2MPa (20 BAR / 290 PSI) Made in Germany" on blue cover

Description

- › Black, seamless PA lining with high density towards diffusion
- › Reinforcements: synthetic fibres
- › Blue, smooth CSM/BR-cover, resistant to ozone, weather, UV and abrasion
- › Working pressure up to 20 bar / 290 psi
- › Temperature range up to +90°C / +194°F
- › Highly flexible and robust
- › Can also be used for welding processes with aggressive filler agents
- › According to DIN EN ISO 3821

Technical data

nominal width zoll/inch	inner-Ø mm	wall thickness mm	length m	working pressure		min. burst pressure		min. bending radius aprx. mm	weight aprx. g/m
				bar	psi	bar	psi		
1/8	3.2	1.9	> 10	20	290	60	870	50	36
1/4	6.5	3.0	> 10	20	290	60	870	80	115

Pressure based on room temperature / High pressure and/or temperature lead to reduced component durability





CONTI® Flux hose - red

For the safe transport of fluxes and fuel gases

Application

Flux hoses according to DIN EN ISO 3821 for trade and industry are used on welding and brazing machines, for transporting fuel gases mixed with fluxes.

Marking

"ContiTech ContiTech FLUX DN 6,5 DIN EN ISO 3821 2MPa (20 BAR / 290 PSI) Made in Germany" on red cover

Description

- › Black, seamless PA lining with high density towards diffusion
- › Reinforcements: synthetic fibres
- › Red, smooth CSM/BR-cover, resistant to ozone, weather, UV and abrasion
- › Working pressure up to 20 bar / 290 psi
- › Temperature range up to +90°C / +194°F
- › Highly flexible and robust
- › Can also be used for welding processes with aggressive filler agents
- › According to DIN EN ISO 3821

Technical data

nominal width zoll/inch	inner-Ø mm	wall thickness mm	length m	working pressure		min. burst pressure		min. bending radius aprx. mm	weight aprx. g/m
				bar	psi	bar	psi		
1/8	3.2	1.9	> 10	20	290	60	870	50	36
1/4	6.5	3.0	> 10	20	290	60	870	60	97
3/8	9	3.5	> 10	20	290	60	870	80	115

Pressure based on room temperature / High pressure and/or temperature lead to reduced component durability





TRIX® Nitrogen hose

Reliable and safe

Application

The TRIX® nitrogen hose is the ideal product for displacing and flushing of explosive gases and their mixtures in all ranges of the chemical and petrochemical industry. For use on tank trucks and tank wagons, in ship rooms, pipelines, tanks of all kinds etc. the hose combines safe and comfortable handling with extreme service life.

Marking

3 yellow, axially applied broad stripes on black cover "Continental ContiTech TRIX® STICKSTOFF / NITROGEN DN 19 PN 20 BAR / 290 PSI R < 10⁶ Ω Made in Germany"

Description

- › Black, non-porous and smooth EPDM lining
- › Reinforcements: synthetic fibres
- › Black, smooth EPDM-cover, resistant to ozone, weather, UV and abrasion
- › Working pressure up to 20 bar / 290 psi
- › Temperature range from -40°C up to +60°C / -40°F up to +140°F
- › Length independently electrically conductive, R < 10⁶ Ω

Technical data

nominal width	inner-Ø	wall thickness	length	working pressure		min. burst pressure		min. bending radius	weight
				bar	psi	bar	psi		
zoll/inch	mm	mm	m					aprx. mm	aprx. g/m
3/8	10	5.0	40	20	290	60	870	50	370
1/2	13	5.0	40	20	290	60	870	65	420
3/4	19	6.0	40	20	290	60	870	100	720
1	25	6.0	40	20	290	60	870	125	885

Pressure based on room temperature / High pressure and/or temperature lead to reduced component durability



Continental ContiTech UNITRIX® 60 DN 13 PN 20 BAR / 290 PSI R < 10⁶ Ω Made in Germany



UNITRIX® 60

The multipurpose hose

Application

The multi purpose hose UNITRIX® 60 provides best results when used in the areas of mechanical engineering, farming, forestry, garages, quarries, construction sites as well as shipbuilding and the railway industry. It can be used with compressors, barrel pumps and aggregates. It can also be used in the areas of the mineral oil industry and the chemical and petrochemical industry. UNITRIX® 60 is the right hose for conveying benzine, mineral oil, gasoil, kerosene, fuel oil, motor oil, compressed air, cold and hot water with or without detergent additives, vegetable oils, animal fats, propane, butane, diluted acids, technical alcohols, pesticides, salt solutions, naphtha.

Marking

6 tobacco brown coloured axial markings on black cover "Continental ContiTech UNITRIX® 60 DN 13 PN 20 BAR / 290 PSI R < 10⁶ Ω Made in Germany"

Description

- › Black, non-porous and smooth NBR lining
- › Reinforcements: synthetic fibres
- › Black, smooth NBR-cover, resistant to ozone, weather, UV, oil, grease and chemicals
- › Working pressure up to 20 bar / 290 psi
- › Temperature range from -25°C up to +85°C / -13°F up to +185°F
- › Highly flexible and robust
- › Length independently electrically conductive, R < 10⁶ Ω
- › Release agent- and fat-free, free from any product harmful to lacquer

Technical data

nominal width	inner-Ø	wall thickness	length	working pressure		min. burst pressure		min. bending radius	weight
				bar	psi	bar	psi		
zoll/inch	mm	mm	m					aprx. mm	aprx. g/m
1/4	6	3.5	50	20	290	60	870	25	160
5/16	8	3.8	50	20	290	60	870	35	210
3/8	10	3.8	50	20	290	60	870	40	250
1/2	13	4.0	50	20	290	60	870	55	320
5/8	16	4.5	50	20	290	60	870	65	430
3/4	19	5.0	50	20	290	60	870	85	550
1	25	5.5	50	20	290	60	870	115	760

Pressure based on room temperature / High pressure and/or temperature lead to reduced component durability



Continental ContiTech UNITRIX® 80 DN 13 PN 33 BAR / 479 PSI R < 10⁶ Ω Made in Germany



UNITRIX® 80

The multipurpose hose

Application

The multi purpose hose UNITRIX® 80 provides best results when used in the areas of mechanical engineering, farming, forestry, garages, quarries, construction sites as well as shipbuilding and the railway industry. It can be used with compressors, barrel pumps and aggregates. It can also be used in the areas of the mineral oil industry and the chemical and petrochemical industry. UNITRIX® 80 is the right hose for conveying benzine, mineral oil, gasoil, kerosene, fuel oil, motor oil, compressed air, cold and hot water with or without detergent additives, vegetable oils, animal fats, propane, butane, diluted acids, technical alcohols, pesticides, salt solutions, naphtha.

Marking

6 olive coloured axial markings on black cover "Continental ContiTech UNITRIX® 80 DN 13 PN 33 BAR / 479 PSI R < 10⁶ Ω Made in Germany"

Description

- › Black, non-porous and smooth NBR lining
- › Reinforcements: synthetic fibres
- › Black, smooth NBR-cover, resistant to ozone, weather, UV, oil, grease and chemicals
- › From DN 32 upward CR-cover, fabric patterned
- › Working pressure up to 33 bar / 479 psi
- › Temperature range from -40°C up to +85°C / -40°F up to +185°F
- › Highly flexible and robust
- › Length independently electrically conductive, R < 10⁶ Ω
- › Up to DN 25 release agent- and fat-free, free from any product harmful to lacquer

Technical data

nominal width zoll/inch	inner-Ø mm	wall thickness mm	length m	working pressure		min. burst pressure		min. bending radius aprx. mm	weight aprx. g/m
				bar	psi	bar	psi		
1/4	6	4.0	50	33	479	80	1160	25	190
5/16	8	4.0	50	33	479	80	1160	35	230
3/8	10	4.0	50	33	479	80	1160	40	260
1/2	13	4.5	50	33	479	80	1160	55	370
5/8	16	5.0	50	33	479	80	1160	65	480
3/4	19	6.0	50	33	479	80	1160	85	680
1	25	6.0	50	33	479	80	1160	115	840
1 1/4	32	6.0	40	33	479	80	1160	190	935
1 1/2	38	6.5	40	33	479	80	1160	230	1150
2	50	7.0	40	33	479	80	1160	300	1610
2 3/8	60	8.0	40	33	479	80	1160	400	2260

Pressure based on room temperature / High pressure and/or temperature lead to reduced component durability



Continental ContiTech CONCRETE STAR DN 75 PN 85 BAR / 1233 PSI SF 2 Made in Germany

CONTI® CONCRETE STAR

High quality for high pressure concrete lines

Application

CONTI® CONCRETE STAR is the perfect hose for the use in concrete and soild pumps. With its extruded smooth bore tube, made of highly abrasion resistant special compound and the high tension steel reinforcement, the hose is designed to meet the strongest requirements at construction site.

Made in Germany!

Marking

3 orange axially applied stripes on black cover "Continental ContiTech CONCRETE STAR DN 75 PN 85 BAR / 1233 PSI SF2 Made in Germany"

Description

- › Black, smooth, extruded lining, highly resistant to abrasion (acc. to DIN ISO 4649-A: <60mm³)
- › Min. 4 layer reinforcement, made of high tension steel wire
- › Black, fabric patterned cover, resistant to ozone, weather, UV and abrasion
- › Working pressure up to 85 bar / 1233 psi
- › Temperature range from -40°C up to +90°C / -40°F up to +194°F
- › Fixed lengths with built-in couplings acc. to customers request
- › Couplings are partly hardend and with galvanized sleeve
- › Available flange systems: Victaulic, Heavy Duty (US), etc.

Technical data

nominal width zoll/inch	inner-Ø mm	wall thickness mm	length m	working pressure		min. burst pressure		vacuum		min. bending radius aprx. mm	weight aprx. g/m
				bar	psi	bar	psi	bar	mmHg		
2	50	10.0	40	85	1233	170	2466	-0.8	-608	350	3000
2 5/8	65	10.0	40	85	1233	170	2466	-0.8	-608	450	3700
3	75	11.0	40	85	1233	170	2466	-0.8	-608	450	4250
3 1/4	80	12.0	40	85	1233	170	2466	-0.8	-608	500	5250
4	100	14.0	40	85	1233	170	2466	-0.8	-608	650	7000
5	125	14.0	40	85	1233	170	2466	-0.8	-608	800	8800
6	150	16.0	40	85	1233	150	2176	-0.8	-608	1000	11750

Pressure and vacuum based on room temperature / High pressure and/or temperature lead to reduced component durability



Continental ContiTech CONCRETE STAR TEXTILE DN 75 PN 85 BAR / 1233 PSI SF 2 Made in Germany

CONTI® CONCRETE STAR TEXTILE

High quality hoses for high pressure concrete lines

Application

CONTI® CONCRETE STAR TEXTILE is the perfect hose for the use in concrete and soild pumps. With its extruded smooth bore tube, made of highly abrasion resistant special compound and the high tension textile reinforcement, the hose is designed to meet the strongest requirements at construction site. Significant weight savings compared to hoses with steel wire reinforcement. Made in Germany!

Marking

3 orange, axially applied stripes on black cover "Continental ContiTech CONCRETE STAR TEXTILE DN 75 PN 85 BAR / 1233 PSI SF2 Made in Germany"

Description

- › Black, smooth, extruded lining, highly resistant to abrasion (acc. to DIN ISO 4649-A: <60mm³)
- › Min. 4 layer reinforcement, made of synthetic textile yarn
- › Black, fabric patterned cover, resistant to ozone, weather, UV and abrasion
- › Working pressure up to 85 bar / 1233 psi
- › Temperature range from -40°C up to +90°C / -40°F up to +194°F
- › Fixed lengths with built-in couplings acc. to customers request
- › Couplings are partly hardend and with galvanized sleeve
- › Available flange systems: Victaulic, Heavy Duty (US), etc.

Technical data

nominal width	inner-Ø	wall thickness	length	working pressure		min. burst pressure		vacuum		min. bending radius	weight
				bar	psi	bar	psi	bar	mmHg		
zoll/inch	mm	mm	m							aprx. mm	aprx. g/m
2	50	10.0	40	85	1233	170	2466	-0.5	-380	500	2300
2 5/8	65	10.0	40	85	1233	170	2466	-0.5	-380	650	2750
3	75	11.0	40	85	1233	170	2466	-0.5	-380	700	3450
3 1/4	80	12.0	40	85	1233	170	2466	-0.5	-380	800	4000
4	100	14.0	40	85	1233	170	2466	-0.5	-380	1000	5950
5	125	14.0	40	85	1233	170	2466	-0.5	-380	1250	7800

Pressure and vacuum based on room temperature / High pressure and/or temperature lead to reduced component durability





Continental ContiTech CEMENT SILO DN 75 PN 6 BAR / 87 PSI Made in Germany

CONTI® CEMENT SILO

The reliable specialist

Application

CONTI® CEMENT SILO of ContiTech is especially designed for use under rough working conditions in cement plants, on cement silo trucks, in building material stores and for forwarding agents. The highly abrasion resistant lining ensures the safe transport of cement, concrete, sand, pebbles etc.

Marking

3 orange, axially applied stripes on black cover "Continental ContiTech CEMENT SILO DN 75 PN 6 BAR / 87 PSI Made in Germany"

Description

- › Black, non-porous, smooth, highly abrasion resistant SBR lining
- › Reinforcements: synthetic fibres with copper braid
- › Black, fabric patterned SBR cover, resistant to ozone, weather, UV and abrasion
- › Working pressure up to 6 bar / 87 psi
- › Temperature range from -20°C up to +70°C / -4°F up to +158°F
- › Electrically conductive, $R < 10^6 \Omega/m$

Technical data

nominal width	inner-Ø	wall thickness	length	working pressure		min. burst pressure		min. bending radius	weight
				bar	psi	bar	psi		
zoll/inch	mm	mm	m					aprx. mm	aprx. g/m
2	50	9.0	40	6	87	18	261	500	1980
3	75	9.0	40	6	87	18	261	750	2770
4	100	10.0	40	6	87	18	261	1000	4020

Pressure based on room temperature / High pressure and/or temperature lead to reduced component durability / Other dimensions on request





CONTI® Compact conveyor hose

For abrasive products

Application

For the conveying of materials such as sand, gravel, dredged mud and silt, chalk, ash, coal, ore, carbon black, salts, concrete, cement, wastes from industrial plants and fluegas desulphurization plants. The conveyor hose system consists of 3 components: hose, coupling and gasket. The coupling is in two halves to permit easy assembly without special tools. Nipples are not required with this system. If a hose has to be changed, the fittings can be reused in as much as they are not subject to wear. The compact design with special low-expansion textile plies ensures that the operating pressure causes only minimal elongation, so that even when longer lengths are necessary the stability of the system is retained.

Marking

Description

- › Black, smooth, highly abrasion resistant SBR lining
- › Reinforcement: synthetic corded plies and steel wire helix
- › Black, strongly corrugated SBR-cover, resistant to ozone, weather, UV and abrasion
- › Working pressure up to 10 bar / 145 psi
- › Temperature range up to +80°C / +176°F
- › Vacuum up to 0.9 bar
- › Electrically conductive, $R < 10^6 \Omega/m$
- › Couplings in aluminium cast consisting of 2 halves clamped together with 2, 4 or 6 screw bolts
- › Flange connecting dimensions comply with DIN EN 1092-1
- › Gaskets of highly abrasion resistant rubber mixture, bores match coupling flanges to DIN EN 1092-1, thickness 8mm

Technical data

nominal width Zoll/inch	inner-Ø mm	wall thickness mm	length m	working pressure		min. burst pressure		vacuum		min. bending radius aprx. mm	weight aprx. g/m
				bar	psi	bar	psi	bar	mmHg		
2	50	12.0	40	10	145	30	435	-0.9	-684	250	2800
2 1/2	65	15.0	40	10	145	30	435	-0.9	-684	325	4400
3	80	15.5	40	10	145	30	435	-0.9	-684	400	4900
4	100	15.5	40	10	145	30	435	-0.9	-684	500	6400
5	125	16.0	40	10	145	30	435	-0.9	-684	750	8200
6	150	15.5	40	10	145	30	435	-0.9	-684	900	10500
8	200	16.0	40	10	145	30	435	-0.9	-684	1200	14700
10	250	17.5	12	6	87	18	261	-0.5	-380	1500	20300
12	300	19.5	12	6	87	18	261	-0.5	-380	1800	27900

Pressure and vacuum based on room temperature / High pressure and/or temperature lead to reduced component durability

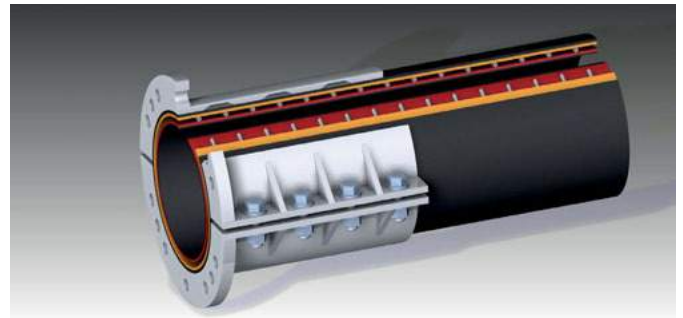


Conveyor hose systems

for abrasive products

Compact conveyor hose system:

- › Compact design
- › Trouble-free assembly, flexible adaption to existing installation conditions by cutting to size, on site
- › Minimum stop periods when changing hoses
- › Reusable couplings
- › Positive and frictional connection of hose and coupling
- › Flange connection sizes complying with DIN 2576



Compact conveyor hose couplings:

- › Compact design
- › The flange connecting dimensions comply with DIN 2576, with the number of flange holes increased by 2 for DN 50, 65 and 80 for better clamping.
- › From DN 100 to 350 there are 2 flange holes less owing to the flange design

Hoses providing a connection piece inserted by vulcanisation:

- › Excellent frictional connection - steel socket / steel clamp
- › Infinitely variable smooth transition in the lining
- › Piggings is guaranteed
- › With this steel-cone flange system (steel pressed on steel) there is no rubber relaxation is to be expected
- › No contact of product with metal parts
- › Clamps hot galvanized according to DIN 1548
- › Nominal widths and lengths on request



Continental ContiTech PREMIUM SUCTION SD DN 100 PN 6 BAR / 87 PSI Made in Germany

CONTI® PREMIUM SUCTION SD

Application

CONTI® PREMIUM SUCTION SD is the perfect hose for street cleaning vehicles. The extruded inner liner is homogeneous, smooth and extremely abrasion resistant and ensures a long service life. The steel wire helix is perfectly embedded between to high strength textile reinforcements, which will provide a safe hose for tough cleaning action.

Marking

3 orange, axially applied stripes on black cover "Continental ContiTech PREMIUM SUCTION SD DN 100 PN 6 BAR / 87 PSI Made in Germany"

Description

- › Black, smooth, highly abrasion resistant, extruded SBR/BR lining
- › Extremely low elongation construction resulting from two layers of braided reinforcement made from synthetic fibers
- › with embedded steel wire helix
- › Black, fabric patterned SBR/BR cover, resistant to ozon-, weather, UV and abrasion
- › Working pressure up to 6 bar / 87 psi
- › Temperature range from -40°C up to +80°C / -40°F up to +176°F
- › Electrically conductive, $R < 10^6 \Omega/m$
- › On request also available in oil resistant construction

Technical data

nominal width zoll/inch	inner-Ø mm	wall thick- ness mm	length m	steel wire helix	working pressure		min. burst pres- sure		vacuum		min. bend- ing radius aprx. mm	weight aprx. g/m
					bar	psi	bar	psi	bar	mmHg		
4	100	8.0	20	•	6	87	15	218	-0.9	-684	400	4300
5	125	10.0	20	•	6	87	15	218	-0.9	-684	500	6300
6	150	11.0	20	•	6	87	15	218	-0.9	-684	600	8100

Pressure and vacuum based on room temperature / High pressure and/or temperature lead to reduced component durability



Continental ContiTech TROCKENEIS / DRY ICE DN 19 PN 16 BAR / 232 PSI Made In Germany

CONTI® Dry ice hose

Application

CONTI® Dry ice hose is a kink and low temperature resistant discharge hose for use with dry ice application. This hose is developed especially to handle cold temperature materials and has a very abrasion resistant tube and cover. The high strength textile reinforcement will ensure a safe and long service life for harsh application.

Marking

"Continental ContiTech TROCKENEIS / DRY ICE DN 19 PN 16 BAR / 232 PSI Made in Germany" on black cover

Description

- › Black, highly abrasion resistant NR lining
- › Reinforcement: synthetic fibres
- › Black, fabric patterned NR cover, resistant to ozone, weather, UV and abrasion
- › Working pressure up to 16 bar / 232 psi
- › Temperature range from -55°C up to +60°C / -67°F up to +140°F
- › Electrically conductive, $R < 10^6 \Omega$

Technical data

nominal width zoll/inch	inner-Ø mm	wall thickness mm	length m	working pressure		min. bending radius aprx. mm	weight aprx. g/m
				bar	psi		
3/8	10	5.0	40	16	232	100	259
1/2	13	5.0	40	16	232	130	313
5/8	16	5.0	40	16	232	160	365
3/4	19	6.0	40	16	232	190	536
1	25	6.0	40	16	232	250	635
1 1/4	32	6.0	40	16	232	160	904
1 1/2	38	6.5	40	16	232	190	1193
2	50	8.0	40	16	232	250	1843
3	75	9.0	40	16	232	375	3091
4	100	10.0	40	10	145	500	4427
5	125	11.0	30	10	145	625	6855
6	150	12.0	30	10	145	750	9014

Pressure based on room temperature / High pressure and/or temperature lead to reduced component durability





Big-bore hoses

Application possibilities

Big-bore hoses are made of high-quality, synthetic special-rubber compounds. They are manufactured on state-of-the-art, electronically controlled large-hose units. The various production technologies guarantee an absolutely uniform product quality. An overriding quality assurance system to DIN EN ISO 9001 : 2000 monitors the production process throughout. These hoses are used wherever high quality and long service life are per se prerequisites for the efficient transport of all types of products. Typical application possibilities are to be found particularly in offshore technology, in material handling, large-tank units, the ironworks industry, mining and the building trade.

We manufacture these hoses to the customer's specific requirements, with inside diameters of 80mm to >1200mm. Kindly send us your detailed inquiry!

Applications

- › Wastewater hoses
- › Concrete- and cement-handling hoses
- › Bunker hoses (light- and heavy-weight types)
- › Sewage hoses
- › Fish pump hoses
- › Liquid gas hoses (e.g. for butane, propane)
- › Granulate transport hoses
- › Industrial hoses (general)
- › Cooling hoses for industrial plants
- › Compressed air hoses
- › Oxygen hoses
- › Sludge hoses
- › Floating hoses
- › Spiral hoses (general)
- › Underwater hoses





Big-bore hoses

Couplings

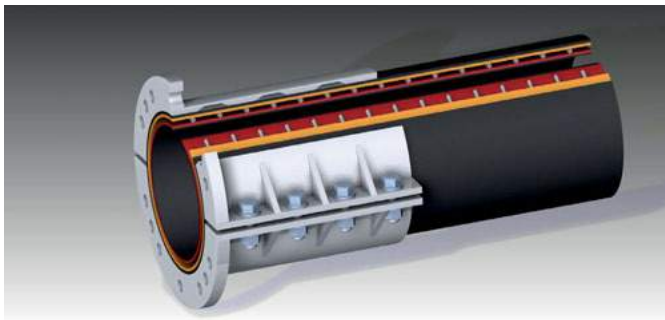
Socket ends and flange dimensions

The dimensions of the expanded socket ends are manufactured to your specifications. Flange dimensions are matched to the required connections.

Connections

Big-bore hoses can be manufactured in the requisite dimensions and with the desired connection to satisfy operating conditions of all kinds.

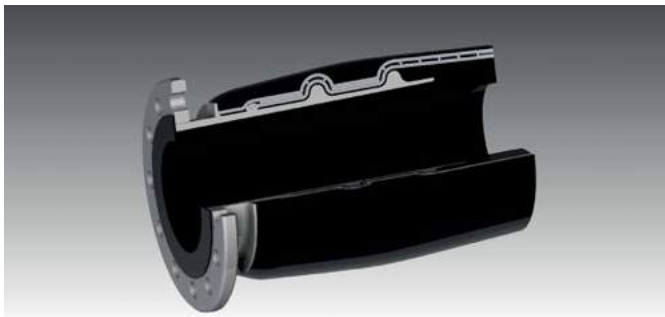
ContiTech offers the following connection types:



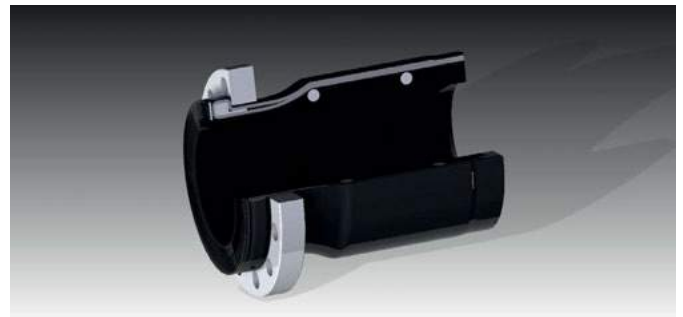
› Split flange, e.g. compact conveyor hose systems




› Integral rubber flange, optional with steel backing flange



› Integral steel flange, concealed attachment, vulcanized in, without lining drawn through



› Beaded end with swivel steel backing flange



Continental ContiTech 1TE DN 10 DIN EN 854 NBR/NBR

CONTI® Hydraulic hose 1 TE - SAE 100 R 6

according to DIN EN 854 – for reliable lifting and moving

Application

The high performance CONTI® Hydraulic hose 1 TE is suitable for the safe transport of hydraulic oil on basis of mineral oil, oil and water emulsions as well as aqueous glycol solutions. The hose construction is according to DIN EN 854 and is a safe element of work for hydraulic plants and systems of all kinds in the machine building industry, for fork-lift trucks, ground moving machines, lifting platforms, excavators, agriculture machines and many more.

Description

- › Black, non-porous and smooth NBR lining
- › Reinforcements: synthetic fibres
- › Black NBR-cover, resistant to ozone, weather, UV and abrasion
- › Working pressure up to 25 bar / 363 psi
- › Temperature range from -40°C up to +100°C / -40 °F up to + 212°F (short term up to +125°C / +257°F)
- › Resistant to oil and fats
- › According to DIN EN 854

Marking


"Continental ContiTech 1TE DN 10 DIN EN 854 NBR/NBR"

Technical data

nominal width zoll/inch	inner-Ø mm	wall thickness mm	length m	steel wire helix	working pressure		min. burst pressure		vacuum		min. bending radius aprx. mm	weight aprx. g/m
					bar	psi	bar	psi	bar	mmHg		
1/4	6.4	3.0	> 2		25	363	100	1450			45	120
5/16	7.9	3.0	> 2		20	290	80	1160			65	140
3/8	9.5	3.0	> 2		20	290	80	1160			75	160
1/2	12.7	3.0	> 2		16	232	64	928			90	190
5/8	15.9	3.5	> 2		16	232	64	928			115	290

Pressure based on room temperature / High pressure and/or temperature lead to reduced component durability





Continental ContiTech 2TE DN 10 DIN EN 854 NBR/NBR

CONTI® Hydraulic hose 2 TE

according to DIN EN 854 – for reliable lifting and moving

Application

The high performance CONTI® Hydraulic hose 2 TE is suitable for the safe transport of hydraulic oil on basis of mineral oil, oil and water emulsions as well as aqueous glycol solutions. The hose construction is according to DIN EN 854 and is a safe element of work for hydraulic plants and systems of all kinds in the machine building industry, for fork-lift trucks, ground moving machines, lifting platforms, excavators, agriculture machines and many more.

Marking

"Continental ContiTech 2TE DN 10 DIN EN 854 NBR/NBR"

Description


- › Black, non-porous and smooth NBR lining
- › Reinforcements: synthetic fibres
- › Black NBR-cover, resistant to ozone, weather, UV and abrasion
- › Working pressure up to 80 bar / 1.160 psi
- › Temperature range from -40°C up to +100°C / -40 °F up to + 212°F (short term up to +125°C / +257°F)
- › Resistant to oil and fats
- › According to DIN EN 854
- ›

Technical data

nominal width zoll/inch	inner-Ø mm	wall thickness mm	length m	steel wire helix	working pressure		min. burst pressure		vacuum		min. bending radius aprx. mm	weight aprx. g/m
					bar	psi	bar	psi	bar	mmHg		
1/4	6.4	3.5	> 2		75	1088	300	4351			40	150
5/16	7.9	3.5	> 2		68	986	272	3945			50	175
3/8	9.5	3.5	> 2		63	914	252	3655			60	207
1/2	12.7	3.5	> 2		58	841	232	3365			70	255
5/8	15.9	4.0	> 2		50	725	200	2901			90	340
3/4	19	4.0	> 2		45	653	180	2611			110	415
1	25.4	4.5	> 2		40	580	160	2321			150	586
1 1/4	31.8	4.5	> 2		35	508	140	2031			190	636

Pressure based on room temperature / High pressure and/or temperature lead to reduced component durability





Continental ContiTech 3TE DN 10 DIN EN 854 NBR/NBR

CONTI® Hydraulic hose 3 TE - SAE 100 R 3

according to DIN EN 854 – for reliable lifting and moving

Application

The high performance CONTI® Hydraulic hose 3 TE is suitable for the safe transport of hydraulic oil on basis of mineral oil, oil and water emulsions as well as aqueous glycol solutions. The hose construction is according to DIN EN 854 and is a safe element of work for hydraulic plants and systems of all kinds in the machine building industry, for fork-lift trucks, ground moving machines, lifting platforms, excavators, agriculture machines and many more.

Description

- › Black, non-porous and smooth NBR lining
- › Reinforcements: synthetic fibres
- › Black NBR-cover, resistant to ozone, weather, UV and abrasion
- › Working pressure up to 160 bar / 2.321 psi
- › Temperature range from -40°C up to +100°C / -40 °F up to + 212°F (short term up to +125°C / +257°F)
- › Resistant to oil and fats
- › According to DIN EN 854

Marking

"Continental ContiTech 2TE DN 10 DIN EN 854 NBR/NBR"

Technical data

nominal width	inner-Ø	wall thickness	length	working pressure		min. burst pressure		min. bending radius	weight
				bar	psi	bar	psi		
zoll/inch	mm	mm	m					aprx. mm	aprx. g/m
1/4	6.4	4.0	> 2	145	2103	580	8412	45	170
5/16	7.9	4.5	> 2	130	1885	520	7542	55	240
3/8	9.5	4.5	> 2	110	1595	440	6382	70	270
1/2	12.7	4.5	> 2	93	1349	372	5395	85	350
5/8	15.9	5.0	> 2	80	1160	320	4641	105	460
3/4	19	5.0	> 2	70	1015	280	4061	130	520
1	25.4	5.3	> 2	55	798	220	3191	150	680
1 1/4	31.8	5.3	> 2	45	653	180	2611	190	850

Pressure based on room temperature / High pressure and/or temperature lead to reduced component durability



Continental ContiTech TRIX® FARBSPRITZ/PAINT SPRAY EPDM DN 9 PN 10BAR / 145 PSI R < 10⁶ Ω Made in Germany



TRIX® Paint spray hose EPDM

for easy and safe varnishing

Application

The TRIX® Paint spray hose EPDM is the ideal product for paint shops, dockyards, painters and many other industrial applications. It is highly flexible, non-kinking, non-buckling, and its smooth lining is especially suitable for conveying spirit lacquer, nitro cellulose lacquer, chlorine rubber lacquer, polyurethane lacquer, epoxy lacquer, latex paint, and many other materials around varnishing and painting. Further information concerning resistance to paints, lacquers, cleaning agents and solvents is available on request.

Marking

6 orange, axially applied stripes on black cover "Continental ContiTech TRIX® FARBSPRITZ / PAINT SPRAY EPDM DN 9 PN 10 BAR / 145 PSI R < 10⁶ Ω Made in Germany"

Description

- › Black, non-porous and smooth EPDM lining
- › Reinforcements: synthetic fibres
- › Black, smooth EPDM-cover, resistant to ozone, weather and UV
- › Working pressure up to 10 bar / 145 psi
- › Temperature range from -40°C up to +100°C / -40°F up to +212°F
- › Release agent- and fat-free, free from any product harmful to lacquer
- › Length independently electrically conductive, R < 10⁶ Ω

Technical data

nominal width	inner-Ø	wall thickness	length	working pressure		min. burst pressure		min. bending radius	weight
				bar	psi	bar	psi		
3/8	9	3.5	40	10	145	40	580	35	230

Pressure based on room temperature / High pressure and/or temperature lead to reduced component durability





TRIX® Paint spray hose NBR

for easy and safe varnishing

Application

The TRIX® Paint spray hose NBR is the ideal product for paint shops, dockyards, painters and many other industrial applications. It is highly flexible, non-kinking, non-buckling, and its smooth lining is especially suitable for conveying alkyd resin lacquers, latex paint, spirit lacquers and polyester lacquers (2 components). Further information concerning resistance to paints, lacquers, cleaning agents and solvents is available on request.

Marking

6 grey, axially applied stripes on black cover "Continental ContiTech TRIX® FARBSPRITZ / PAINT SPRAY NBR DN 9 PN 25 BAR / 363 PSI R < 10⁶ Ω Made in Germany"

Description

- › Black, non-porous and smooth NBR lining
- › Reinforcements: synthetic fibres
- › Black, smooth NBR-cover, resistant to ozone, weather and UV
- › Working pressure up to 25 bar / 363 psi
- › Temperature range from -30°C up to +80°C / -22°F up to +176°F
- › Release agent- and fat-free, free from any product harmful to lacquer
- › Length independently electrically conductive, R < 10⁶ Ω

Technical data

nominal width zoll/inch	inner-Ø mm	wall thickness mm	length m	working pressure		min. burst pressure		min. bending radius aprx. mm	weight aprx. g/m
				bar	psi	bar	psi		
1/4	6	3.5	40	25	363	100	1450	25	170
3/8	9	3.5	40	25	363	100	1450	35	230
7/16	11	4.0	40	25	363	100	1450	45	260

Pressure based on room temperature / High pressure and/or temperature lead to reduced component durability





CONTI® Paint spray hose PA

The reliable specialist

Application

The very high requirements, necessary for safe and reliable spray painting hoses, are achieved by using the right type of materials and well tested construction and production technologies. Relevant specifications (e.g. TRbF 131/2) as well as the specific requirements set up by the end users qualify the high standard of this product. The hose with PA lining can be used for conveying polar and aromatic solvents, paints, lacquers, glue and oils. The CONTI® Paint spray hose PA is an example of high quality and safety thus offering a maximum of economy. Further information concerning resistance to paints, lacquers, cleaning agents and solvents is available on request.

Description

- › Black, non-porous, smooth and high abrasion resistant PA lining
- › Reinforcements: synthetic fibres
- › Grey NBR-cover, resistant to ozone, weather and UV
- › Working pressure up to 25 bar / 363 psi
- › Temperature range from -25°C up to +80°C / -13°F up to +176°F
- › Length independently electrically conductive, R < 10⁶ Ω

Marking

"Continental ContiTech FARBSPRITZ / PAINT SPRAY PA DN 9 PN 25 BAR / 363 PSI R < 10⁶ Ω Made in Germany" on grey cover

Technical data

nominal width zoll/inch	inner-Ø mm	wall thickness mm	length m	working pressure		min. burst pressure		min. bending radius aprx. mm	weight aprx. g/m
				bar	psi	bar	psi		
1/4	6	2.5	> 10	25	363	100	1450	60	86
1/3	8	3.0	> 10	25	363	100	1450	80	140
3/8	9	3.5	> 10	25	363	100	1450	90	184
7/16	11	4.0	> 10	25	363	100	1450	110	243
1/2	13	3.5	> 10	25	363	100	1450	130	240

Pressure based on room temperature / High pressure and/or temperature lead to reduced component durability





CONTI® Fire Hose CO₂

Safety on a very high level

Application

The CONTI® Fire Hose CO₂ provides highest safety and reliability in case of conditions of severity and thus should not be missed on any portable fire extinguisher. Hydrant hoses according to EN 694 can also be delivered.

Description

- › Black, non-porous and smooth EPDM lining
- › Reinforcements: synthetic fibres
- › Black EPDM-cover, resistant to ozone, weather, UV and abrasion
- › Working pressure up to 30 bar / 435 psi
- › Temperature range from -30°C up to +80°C / -22°F up to +176°F
- › Electrically conductive, R < 10⁸ Ω
- › Suitable for any portable fire extinguisher usual in the trade

Technical data

nominal width zoll/inch	inner-Ø mm	wall thickness mm	length m	working pressure		min. burst pressure		min. bending radius aprx. mm	weight aprx. g/m
				bar	psi	bar	psi		
3/8	10	3.0	40	30	435	90	1305	100	170
3/8	10	3.0	80	30	435	90	1305	100	170
1/2	13.2	3.8	80	30	435	90	1305	132	270
1/2	13.2	3.8	40	30	435	90	1305	132	270

Pressure based on room temperature / High pressure and/or temperature lead to reduced component durability



Continental ContiTech TEERSPRITZ / TARSPRAY DN 19 PN 16 BAR / 232 PSI Made in Germany

CONTI® Tar spray hose

Application

CONTI® Tar spray hose is the perfect equipment hose the use of bitumen and tar equipment in roadmaking. The hard-wearing NBR lining and cover and the selected reinforcement materials will ensure a long service life. The hose is flexible and due to its construction electrically conductive.

Marking

"Continental ContiTech TEERSPRITZ / TARSPRAY DN 19 PN 16 BAR/ 232 PSI Made in Germany" on grey cover

Description

- › Black, smooth NBR lining
- › Reinforcements:
- › Black, fabric patterned NBR cover, resistant to ozone, weather, UV and abrasion
- › Working pressure up to 16 bar /232 psi
- › Burst pressure > 80 bar / 1.160 psi
- › Temperature range from -25°C up to +180°C / -13°F up to +356°F
- › Electrically conductive

Technical data

nominal width zoll/inch	inner-Ø mm	wall thickness mm	length m	working pressure		min. burst pressure		min. bending radius aprx. mm	weight aprx. g/m
				bar	psi	bar	psi		
3/4	19	6.0	40	16	232	80	1160	200	778

Pressure based on room temperature / High pressure and/or temperature lead to reduced component durability





Chemical and Refuelling Hoses

Application

The product range of chemical hoses of ContiTech Schlauch GmbH includes the whole spectrum of hoses according to EN 12115 for chemical, petrochemical and pharmaceutical applications. Special manufacturing processes of which some are patented guarantee the safe transport of various liquids. That includes hoses with elastomere or plastics linings as well as specialties like the "hose-in-hose system" for vapour recovery at petrol stations. In addition, ContiTech offer high-quality refuelling hoses for aircrafts, tank-truck hoses and bunker hoses for loading and unloading of ships at harbours, channels and tank ships worldwide.

These products are distributed by our partner ELAFLEX.

ELAFLEX - Gummi Ehlers GmbH
Schackenburgallee 121
D-22525 Hamburg (Eidelstedt)

Phone +49 40 540 00 50
Fax +49 40 540 00 567
eMail info@elaflex.de

Description

Petrol station hoses

- › Lightweight, flexible, kink- and weather resistant
- › Conductive
- › Retractable
- › Guaranteeing no increase in volume, appropriate for gauging
- › Good resistance to swelling and diffusion
- › Automatic vapour recovery by means of "hose-in-hose system"
- › Bright colours available, not discolouring

Aircraft refuelling hoses

- › Extremely impermeable and particularly pressure-proof
- › Resistant to kerosene and mechanical stress
- › Marking with fluorescent colours
- › The high safety standards of the mineral oil companies are being excelled

Tank-truck hoses

- › Flexible, lightweight and resistant to overrunning by trucks (without steel wire helix only)
- › Easy to handle
- › Applicable at a wide temperature range

Bunker hoses

- › For loading and unloading ships
- › Suitable even for the reliable transport of heavy oil, motor gasoline or hot bitumen



CONTI[®] Machine hose

Application

Since many years ContiTech has been specialised in producing and supplying hoses without reinforcements (machine hoses) for a great variety of applications such as:

- › Transport of fuel oil, petrol, diesel and bio diesel
- › Transport of engine oil, gear lubricant oil and power steering oil
- › Hoses for windscreen washers
- › Air control
- › Protecting hoses (in general)
- › Transport of milk (for example teat hoses) and potable water according to KTW and DVGW W270.

The materials used are either CR, NBR, ECO, HNBR, ACM, IIR, VMQ or FPM. The admissible working temperatures are in the range of -40°C up to +230°C / -40°F up to +446°F. The hoses are produced with inner diameters 3 - 40 mm. Please send your detailed inquiries to the address mentioned below.

