

Conveying Excellence with High-End Conveyor Belts

Every conveyor belt, every climate zone and every topography calls for perfect conveyor belt technology. ContiTech provides knowledge, experience, a globally encompassing and competent network and a broad product range to give your conveyor belt applications a technological lead. More than 140 years of rubber expertise make us a strong partner, enabling our customers to benefit from the synergies within the Continental corporation. We implement innovative conveyor belt technology reliably, sustainably and safely from development to commissioning and after-sales service.



ContiTech

Industrial Fluid Systems

Market Segment
Industrial Hoses

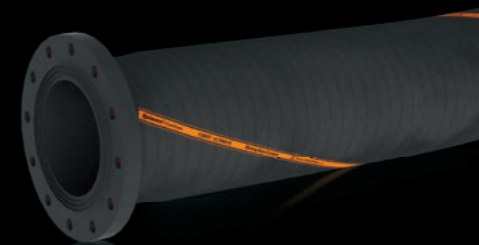
Contact
ContiTech Rubber Industrial Kft.
Budapesti út 10.,
H-6728 Szeged, Hungary
Phone +36 (0) 62 566 941
E-Mail industrial@fluid.contitech.hu

www.contitech.de/ih

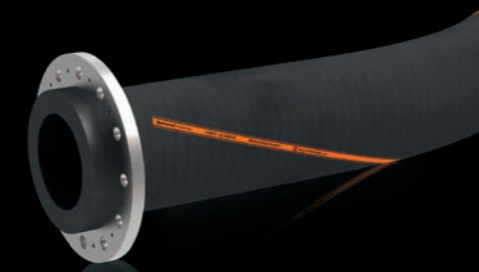
Learn more about
the content of this
brochure.

Other wear resistant hose end options

- Suitable for CONTI®ULTIMATE split flange system
- Non-turbulent flow of the medium
- Ability to rotate the hose to evenly distribute wear (swivel, beaded-end)
- Working pressure up to 25 bar (365 PSI)
- Available sizes up to DN1200 (48")
- Non-standard flange types upon request
- Very flexible, minimized stiff hose section
- Lightweight, easy to handle



CONTI®ULTIMATE Rubberized Flange Hose End



CONTI®ULTIMATE Beaded End Hose End (swivel)

ContiTech. Smart Solutions Beyond Rubber

ContiTech is part of the international technology corporation Continental and enjoys a global reputation as a materials specialist and development partner with innovative products and intelligent systems that make use of rubber, plastic and combinations of materials such as metals, fabric, textiles, glass and electronic components. ContiTech operates in almost all sectors of industry. Drawing on our extensive development and materials expertise, we combine our products and systems with customized services. We partner with our customers to create added value and help make the social trends of tomorrow into a reality today.



The content of this publication is not legally binding and is provided as information only. The trademarks displayed in this publication are the property of Continental AG and/or its affiliates. Copyright © 2016 ContiTech AG. All rights reserved. For complete information go to: www.contitech.de/discl_en

IFS1626 GB 0716 (GBB) Printed with ContiTech offset printing blankets on bleached paper free of chlorine



CONTI®ULTIMATE Mining Hose System

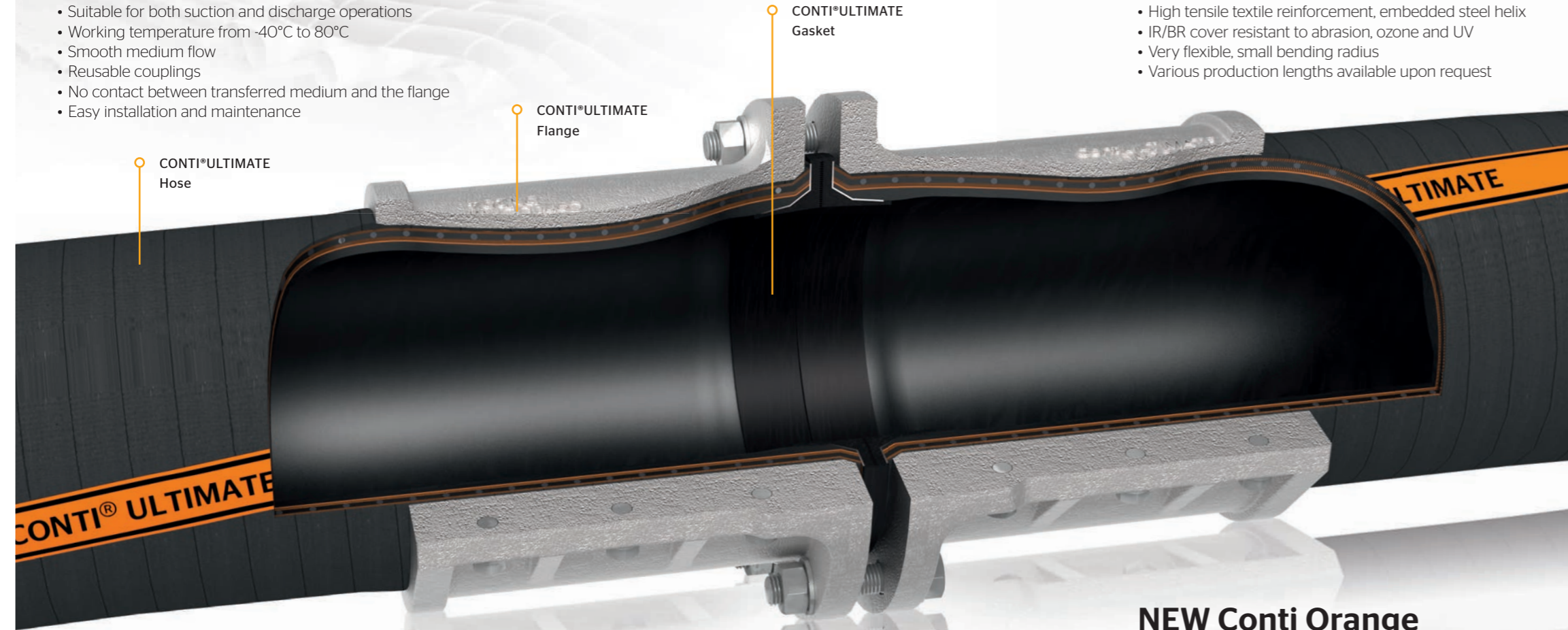
Industrial Fluid Systems

ContiTech

CONTI®ULTIMATE System: Highly flexible and lightweight

Typical Application & Features

- Heavy duty abrasion-resistant suction and discharge hose for the transfer of sand, gravel and slurries
- Safety factor of 3.2 times working pressure to burst
- Suitable for both suction and discharge operations
- Working temperature from -40°C to 80°C
- Smooth medium flow
- Reusable couplings
- No contact between transferred medium and the flange
- Easy installation and maintenance



Technical Data

Hose ID		OD	Liner thickness	Working Pressure		Vacuum	Minimum Bending Radius	Weight		Maximum length
mm	in	mm	mm	bar	psi	%	mm	kg/m	lb/ft	m
51	2.0	71	5.0	10.0	150	90	250	2.5	1.7	40.0
76	3.0	103	5.0	10.0	150	90	400	4.3	2.9	40.0
102	4.0	125	5.0	10.0	150	90	550	5.2	3.5	40.0
127	5.0	151	5.0	10.0	150	90	680	7.3	4.9	40.0
152	6.0	179	5.5	10.0	150	90	800	9.0	6.0	40.0
204	8.0	238	7.5	10.0	150	90	1050	16.4	11.0	40.0
254	10.0	290	7.5	5.0	75	50	1300	22.8	15.3	12.0
305	12.0	342	7.5	5.0	75	50	1600	27.4	18.4	12.0
355	14.0	404	11.5	5.0	75	50	1900	42.6	28.6	12.0
405	16.0	455	12.0	5.0	75	50	2200	46.9	31.5	12.0
455	18.0	510	10.0	5.0	75	50	2500	61.1	41.1	10.0
508	20.0	562	12.0	5.0	75	50	2900	71.1	47.8	10.0
610	24.0	690	12.0	5.0	75	50	3400	89.2	59.9	12.0

CONTI®ULTIMATE Hose:

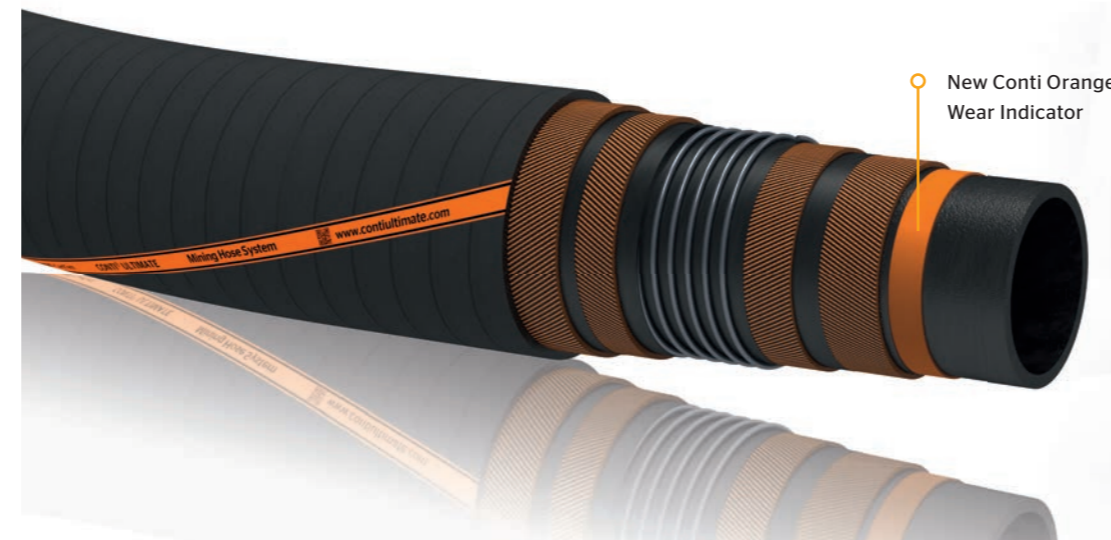
Features

- Liner material made of highly abrasion resistant NR compound with Conti Orange liner wear indicator
- High tensile textile reinforcement, embedded steel helix
- IR/BR cover resistant to abrasion, ozone and UV
- Very flexible, small bending radius
- Various production lengths available upon request

NEW Conti Orange Wear Indicator:

Features

- Allows the wear of the liner to be continuously monitored
- Helps to prevent unexpected production breakdowns
- Placed just beneath textile reinforcement



CONTI®ULTIMATE Gasket:

Features

- Conical shape ensures ease of installation
- Reliable sealing protecting hose reinforcement from impact of the medium
- Improves connection between hose body and flange
- Rubber sealing with steel reinforcement



Technical Data

Gasket Size		ID	OD	Sealing Thickness
mm	in	mm	mm	mm
51	2.0	36	100	8.0
76	3.0	70	134	8.0
102	4.0	91	163	8.0
127	5.0	119	185	8.0
152	6.0	141	213	8.0
204	8.0	192	264	8.0
254	10	243	315	8.0
305	12	294	365	8.0
355	14	343	418	8.0
405	16	394	467	8.0
455	18	438	511	8.0
508	20	497	567	8.0
610	24	597	667	8.0

CONTI®ULTIMATE Flange:

Features

- Suitable for both EN 1092-1 / ANSI 16.5B standards
- Made of high strength aluminium alloy
- Non-corrosive, good seawater resistance
- Robust design to withstand heavy duty operations



Technical Data

Flange Size		Working Pressure		Bolt Circle Standard		Weight	
mm	in	bar	psi	DIN	ANSI	kg/pc	lb/pc
51	2.0	10.0	150	PN10	150lbs	1.4	3.0
76	3.0	10.0	150	PN10	150lbs	2.3	5.0
102	4.0	10.0	150	PN10	150lbs	3.9	8.6
127	5.0	10.0	150	PN10	150lbs	6.9	15.1
152	6.0	10.0	150	PN10	150lbs	7.8	17.2
204	8.0	10.0	150	PN10	150lbs	12.7	27.9
254	10.0	5.0	75	PN10	150lbs	13.1	28.9
305	12.0	5.0	75	PN10	150lbs	21.8	48.2
355	14.0	5.0	75	PN10	150lbs	26.4	58.2
405	16.0	5.0	75	PN10	150lbs	38.0	83.9
455	18.0	5.0	75	PN10	150lbs	42.0	92.6
508	20.0	5.0	75	PN10	150lbs	73.1	161.2
610	24.0	5.0	75	PN10	150lbs	90.0	198.4