

VT103 / Strobe light

Function and purpose

Needed for light and sound alarms. Has 1.5 m length. Connects to 12V DC, 0.25A electronic relay of Vutlan monitoring systems.


Website link: <https://www.vutlan.com/accessories/40-vt105-strobe.html>




Documentation link: <https://vutlan.atlassian.net/wiki/spaces/DEN/pages/1834680385/VT103+Strobe+light>



Package includes

VT103 package includes:

	Package content	Description
1		x1 Alarm beacon with 1.5m cable

2		x2 4J-S sticky clamps
3		x2 Dowels,
4		x2 Screws, M3, 20mm

Developer notes:

Drawing



Installation drawing



VT103_strobe_sir...installation.pdf

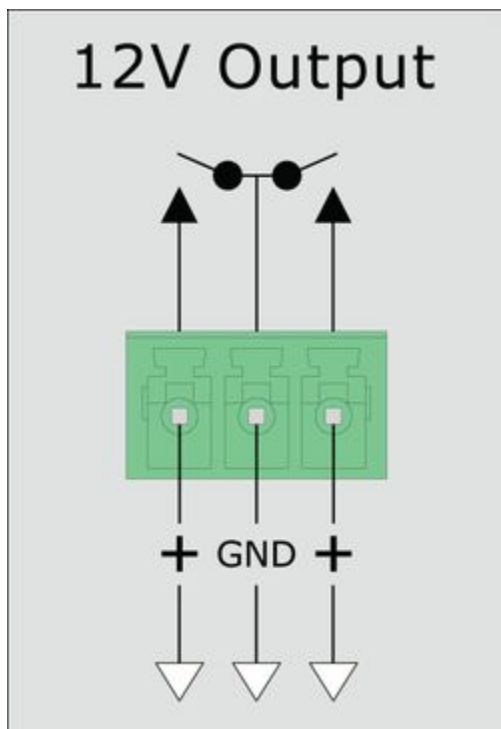
Connecting 12V devices to Vutlan monitoring systems

All Vutlan monitoring systems and switched PDUs have the ability to connect up to two alarm beacons, for example a siren and / or strobe, and other low-current devices, for example a dry contact output module VT11, to E1, E2 - two outputs of electronic relays.

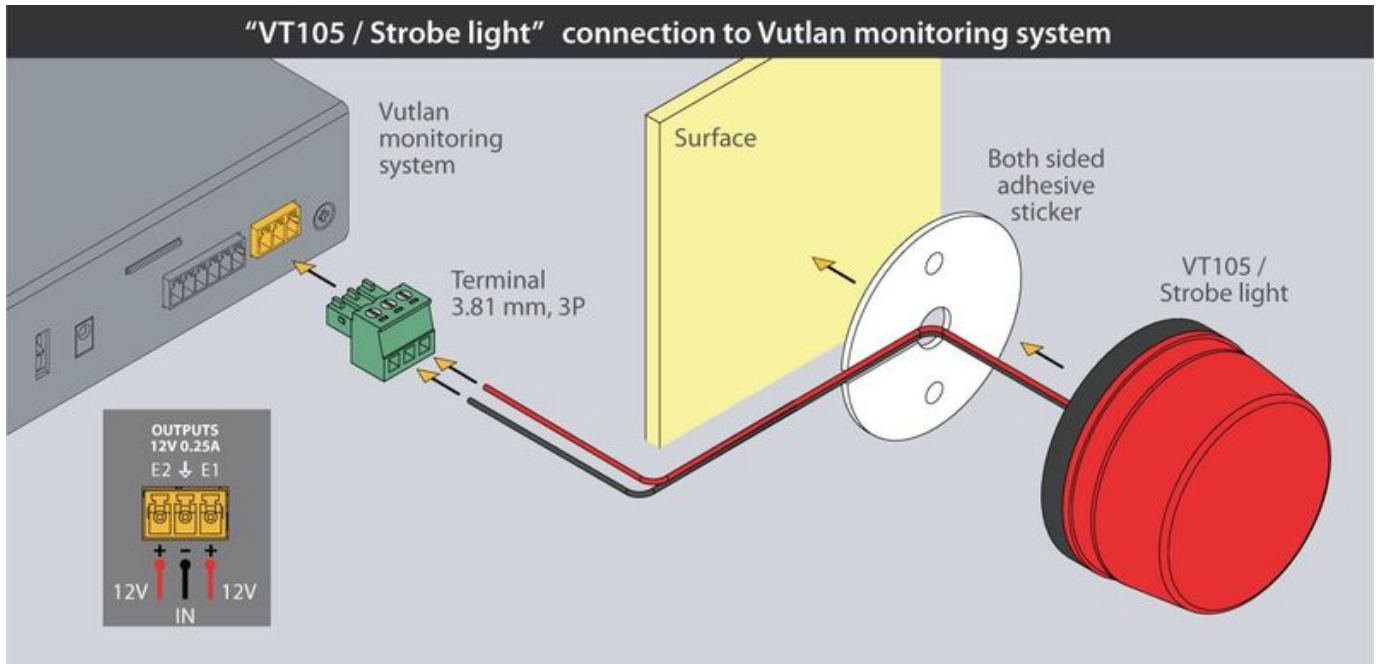
Connection.

To connect alarm beacon to the 12V output, you need to connect the device with a cable to the terminal according to the polarity. By appropriate logic or manually in the device interface, you can turn on or off and / or give a pulse to the siren, strobe or a signal on a dry contact output. The maximum current consumption is limited by 250 mA.

Check the voltage supply in the test mode. Go to the Main Menu -> System Structure -> Alarm in the system interface. In the window that appears, click "Pulse". The stroboscope lights up, the siren wails. To configure alarms, you need to configure the [logic](#).



❌ Do not connect the loads to the outputs while the monitoring system is on.



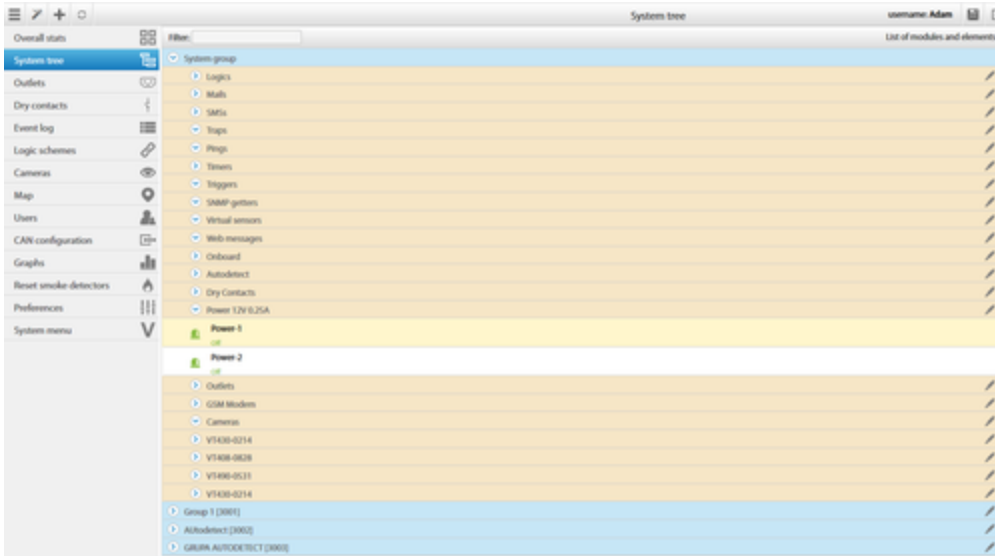
Further reading

- [VT11 / Relay output](#)
- [VT103 / Strobe light](#)
- [VT105 / Strobe light](#)

Developer comments:

12V relay configuration (alarm beacon or strobe light)

- a) Login to the web interface of the monitoring system
- b) To configure the relay: go to System tree >> Power 12V 0.25A >> Choose relay



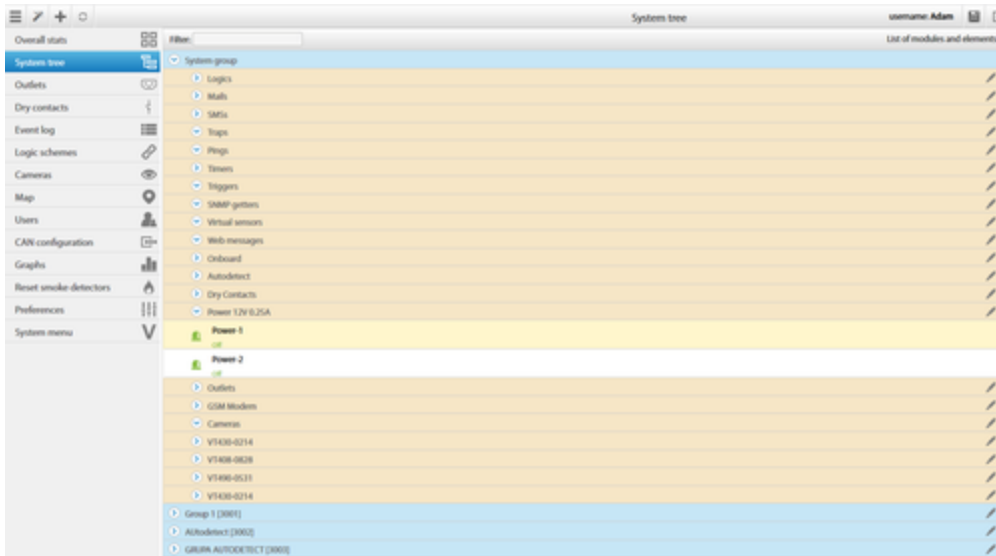
c) By default Power-1 and Power-2. Rename it, set initial state and set Pulse duration time in seconds to specific time period.



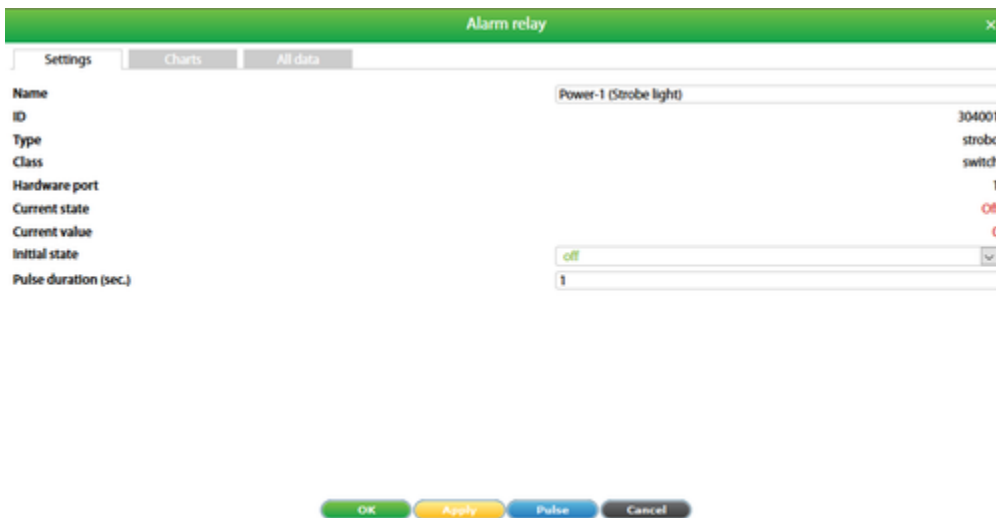
Additionally: 12V relay configuration

12V relay configuration (for example, alarm beacon, strobe light, lock)

- a) Login to the web interface of the monitoring system
- b) To configure the relay: go to System tree >> Power 12V 0.25A >> Choose relay



c) By default Power-1 and Power-2. Rename it, set initial state and set Pulse duration time in seconds to specific time period.



Examples

Example configuration article can be read at: [Access control](#)

Hardware configuration of 12V devices: [Connecting 12V devices to 12V outputs](#)

12V Vutlan devices

[VT103 / Alarm beacon](#)

[VT105 / Strobe light](#)

Developer notes:

Cable pinouts

Strobe light uses standard two wire cable for connecting to the monitoring unit.



x2 wire cable included (1 meter)

Technical specifications

VT105	
Dimensions	Size 70 x 36 x 56 mm, cable 3m
Weight	150g
Cable length	3m
Output	Light and sound
Rated voltage	12V DC, 1A
Power consumption	250mA
Sound pressure	108 dB
Tone frequency	3.8 kHz
Flash frequency	2.5Hz red 150/min
Mounting	Wall mount
HS code	8531 10 300
Case, color	ABS plastic, red, white
IP rating standard	IP54
Operating temperature	Temperature : Min. -50 °C - Max.105 °C
Operating humidity	Humidity : Min. 5% - Max. 95% (Non-Condensing)
Components	Manufactured in E.U.

Copyright of:

Vutlan s.r.o. (LLC)

Remote Infrastructure Monitoring and Control

43 ul.Svornosti, 821 06 Bratislava,

Slovak Republic