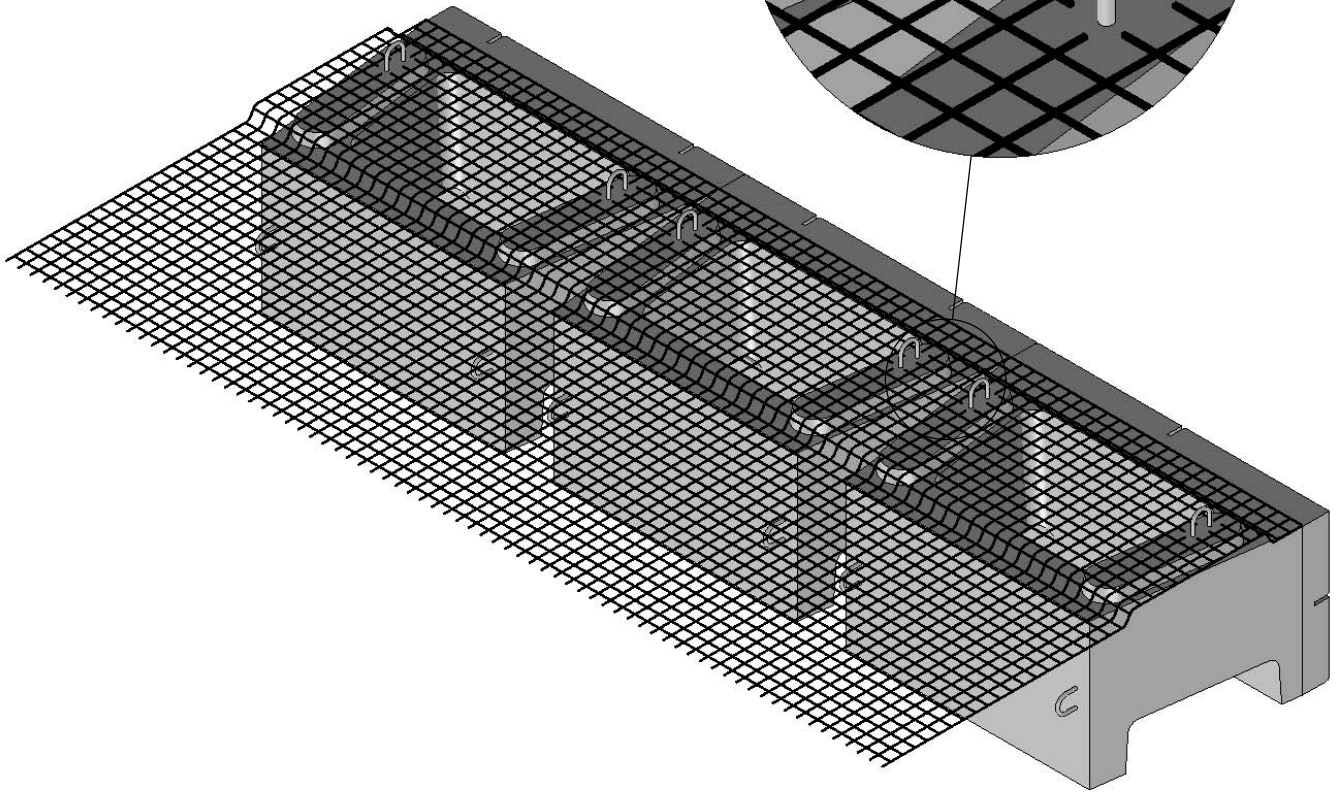
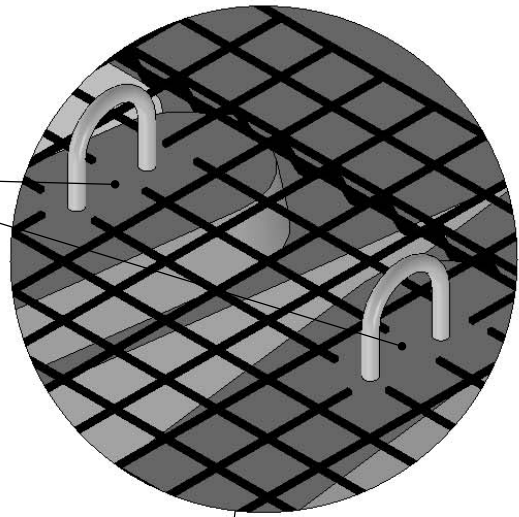
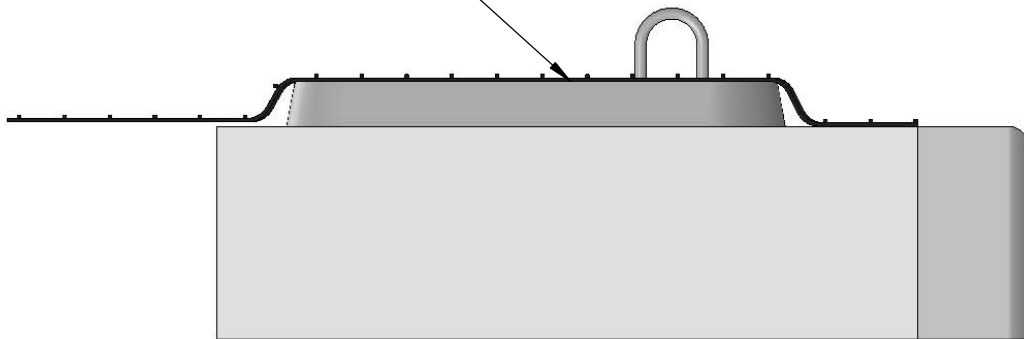


CUT MESH FOR
LIFTING RINGS



MESH SHOULD LAY FLAT
ON TOP OF BLOCK



DRAWN BY
DAN BALLING

DATE
12/12/2013

16500 SOUTH 500 WEST
BLUFFDALE, UTAH 84065
PHONE: (801) 571-2028

TITLE:
FRICTION CONNECTION

DWG NO.
M-01

SCALE: 1: 7

SHEET 1 OF 1