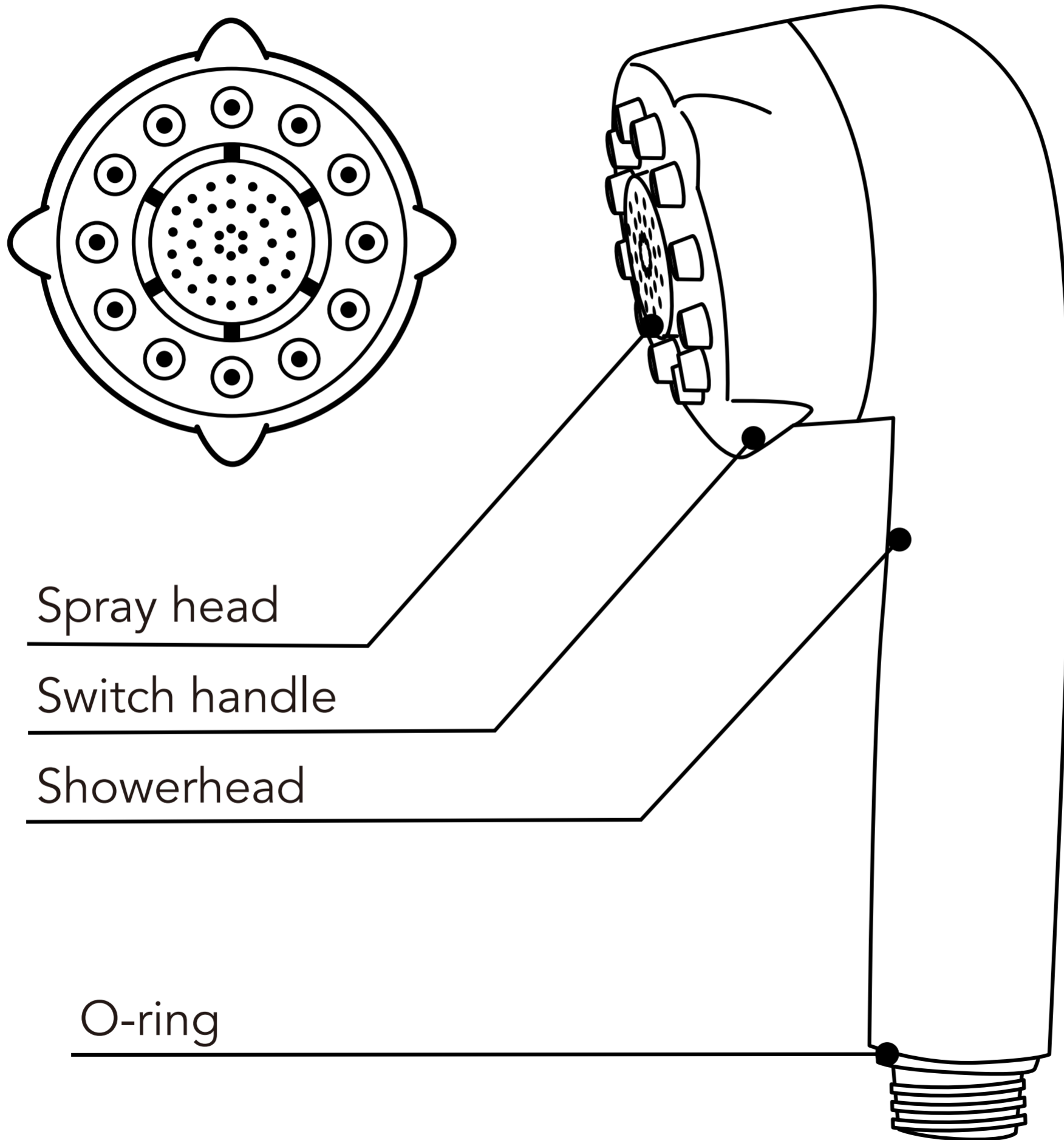


Mirable



Name of parts

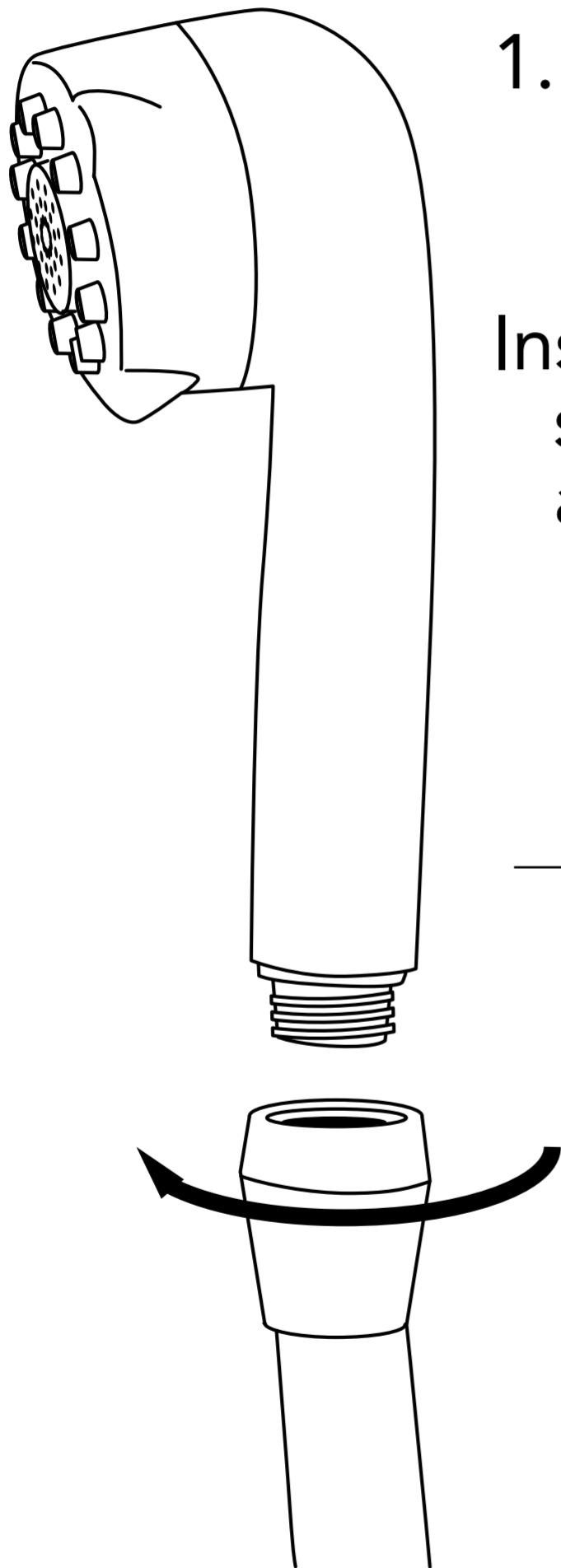


How to Install

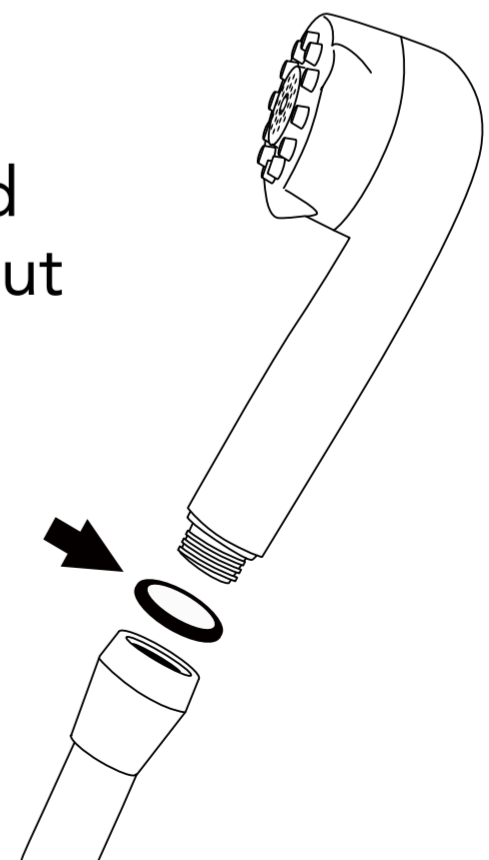
1. Remove your old shower head.

It may take time to do with bare hands. In this case, dry the metal fittings with a towel to prevent slippage.

Install the Mirable showerhead. If the screw size is not G1/2, prepare an appropriate adapter accordingly.

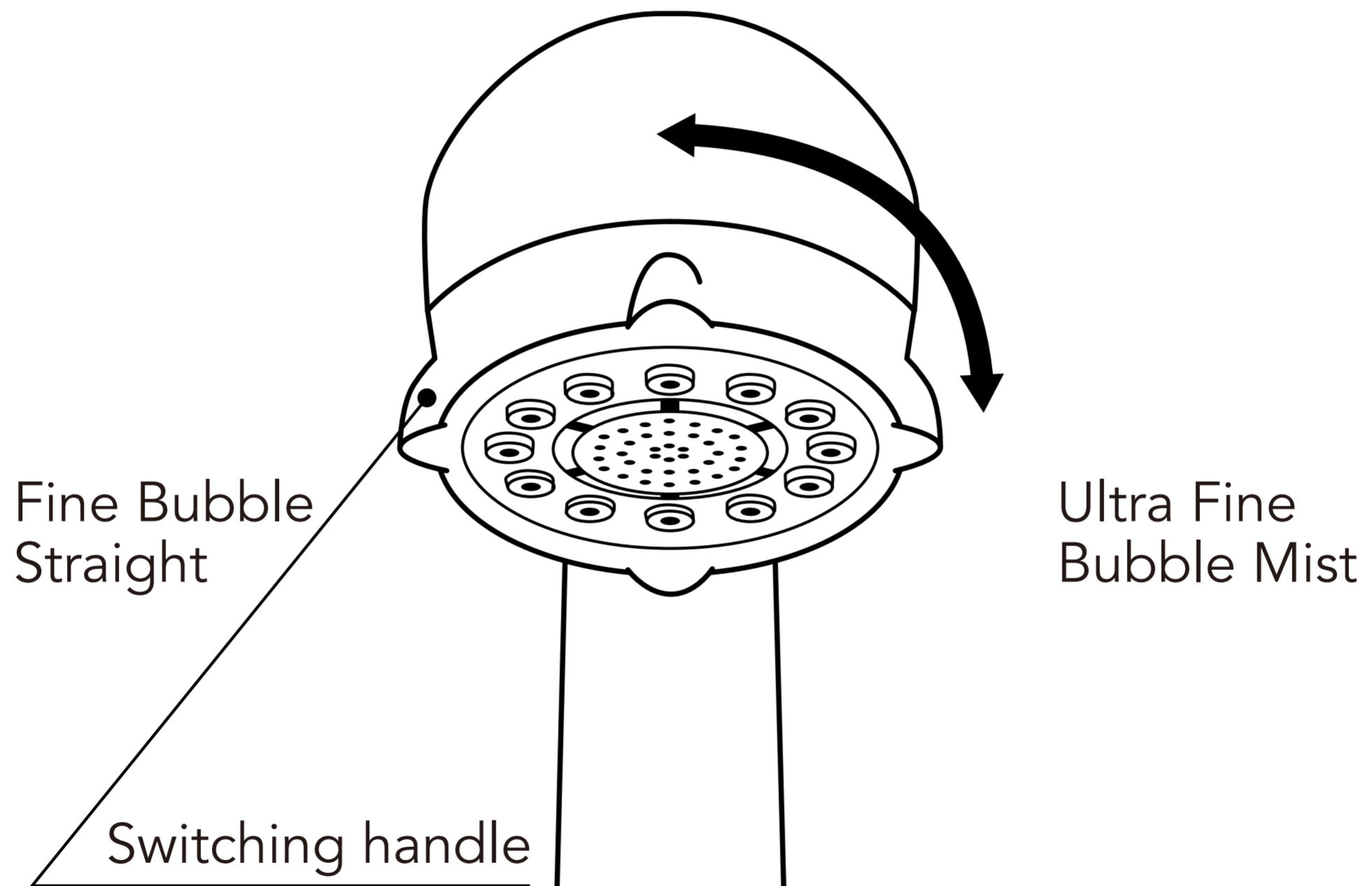


If the O-ring already installed on the main unit does not shut off water, please try the included packing.



How to use

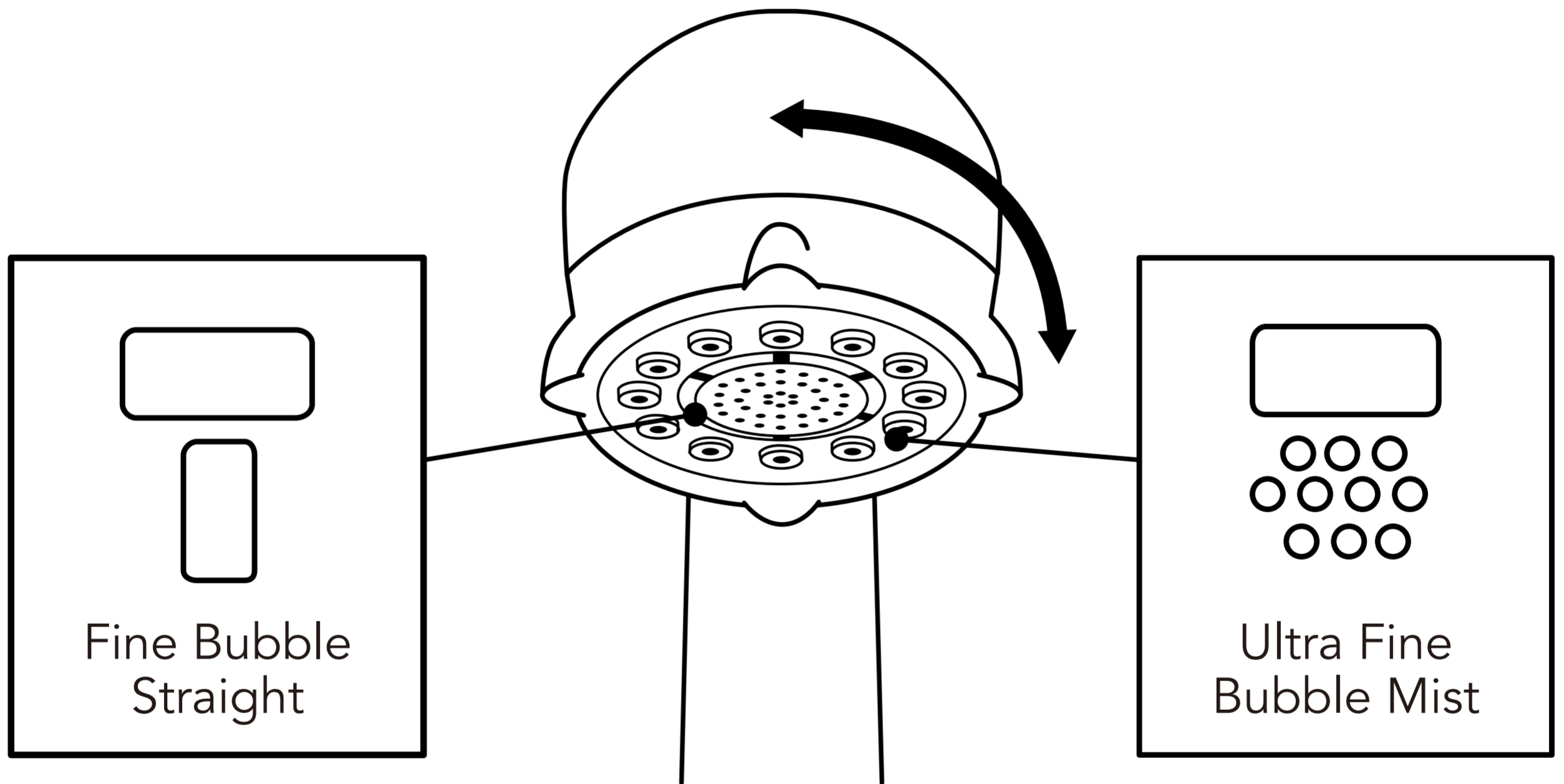
Use the switch handle to change the spray setting.



You can also adjust the setting between the above modes based on your preference. Adjust the faucet setting when the spray is too strong.

How to use

Adjust using the spray setting handle to set the spray in between the Fine Bubble Straight mode and Ultra Fine Bubble Mist mode.



Remarks:

Ultra Fine Bubble Mist may lower the water temperature when compared with the Fine Bubble Straight mode. Some gas water heaters may remain not ignited due to the insufficient water supply during the Ultra Fine Bubble Mist mode. In this case, slowly tune the handle to the Fine Bubble Straight side to increase the total water volume.

To ensure that the product functions normally, please use it correctly according to this manual.

- + This product is designed for household water supply.
- + If the water discharge is switched with the spray plate facing down, the nozzle may not rotate. In this case, turn the water discharge switch again with the shower body in an upright position.
- + The showerhead contains sensitive parts so be mindful to handle it with care to prevent damage. Shocks may damage the internal components and affect their functions adversely.
- + In the case of instantaneous water heaters, the water heater may not ignite when the water supply temperature is high (in the summer) and the water volume is low. In this case, lower the temperature setting of the water heater. This product is not compatible with balanced kettles.
- + In areas where the water supply pressure is 0.2 MPa or higher, the water spray could be strong when the faucet handle is fully opened. In this case, adjust the water pressure with the water shutoff valve in advance. Or adjust the water flow rate at the water shutoff valve in advance.
- + The bubbling noise inside the showerhead due to the mixing of air. The showerhead can still function normally with the noise.
- + When the showerhead is off, residual water might still be discharged for a while. If it continues for up to a couple of minutes, check the handle to see if it is completely closed.
- + Do not submerge the shower head in water (e.g. bathtub or washbowl) or soak in detergent. It might clog the shower head.
- + In the Fine Bubble Straight mode, there might be no water flow in some holes due to air mixing. The showerhead is still functioning normally.

Safety Precautions

- + Read through this manual carefully and store it probably.
- + Various symbols are used in this manual to ensure safety and correct usage to prevent accidents or damages. Below please find the keys.



WARNING

A potential hazard; might cause fatal accidents if ignored or handled inappropriately.



CAUTION

A potential hazard; might cause accidents/damages if ignored or handled inappropriately.



Attention



Prohibited

DO NOT allow hot water (60°C or more) to pass through the product.

It may cause damage, deformation, or discoloration. For safety reasons, water temperature should be kept below 45°C.

When used with a 2-handle/ single-lever mixer faucet, do not use the water heater at a temperature higher than 42°C to avoid burns.

DO NOT clean with detergent (except for neutral detergent), or it might cause discoloration/ damage.

DO NOT allow cosmetics or other materials to adhere/remain on the showerhead. Cleansing agents and hair product remains may cause discoloration or damage. Rinse off with plenty of water immediately when adhered.



Warning



Execute at all times

Water temperature might change when the spray setting is changed. Be mindful to test the temperature with your hand but be cautious of burns.

Hand the showerhead tight when water pressure is strong. Sudden drops might cause accidents or damage.

How to prevent freezing



Cautions



Execute at
all times

Be mindful to keep the showerhead from freezing if a low temperature is expected. Freezing might cause damage to the product thus accidents or damage.

- + If the showerhead is frozen, its components may be damaged and cause water leakage.
- + If the product is damaged by freezing, repair might come with a fee even within the warranty period.
- + Keep the product from freezing if a low temperature is expected. Take the following preventative measures if temperature is expected to drop below 0 degrees Celsius.

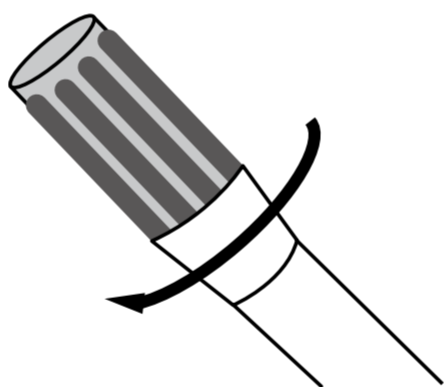
- (1) Drain water from the hose.
- (2) Shake the showerhead until no water comes out.
- (3) Place the showerhead on the floor.

Tornado Stick

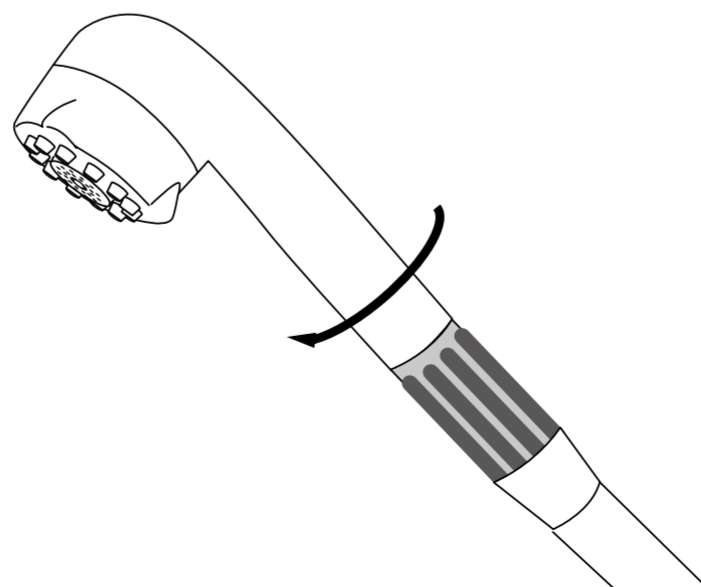
User manual

How to install

- 1** Connect the Tornado Stick to the hose thread as shown in the diagram below.



- 2** Connect the Mirable main unit to **1**



Material	polycarbonate
Filtering material	Calcium sulphite
Filtering substance	Chlorine in tap water

[Introduction]

It is recommended to change the product in approx.
every 3 months.

- The dechlorination performance depends on various conditions such as water quality and temperature.
- Replacement guidelines might differ depending on usage frequency, water quality, and other usage conditions.
- The replacement frequency might be shorter when the operating temperature is high (over 40°C) or the chlorine density is high.

[Cautions]

- This product is specially designed for use with the Mirable showerheads by Science. Cannot be used with shower heads by other manufacturers.
- Stop usage for allergy issues.
(Notable redness, swelling, itches, irritation, or other abnormalities.) Symptoms could be worsened for continuous usage. Consult your dermatologist or other specialists.
- The water supply pressure is 0.1 MPa~ 0.3 MPa.
- Designed to reduce free residual chlorine.
- Please dispose of the old Tornado Stick after replacement in accordance with the disposal regulations of your residential area.
- Please read carefully the user manual before use.
- Continue to use the product as it is after the water has been drained. The performance might deteriorate even after removal/ storage once drained.