

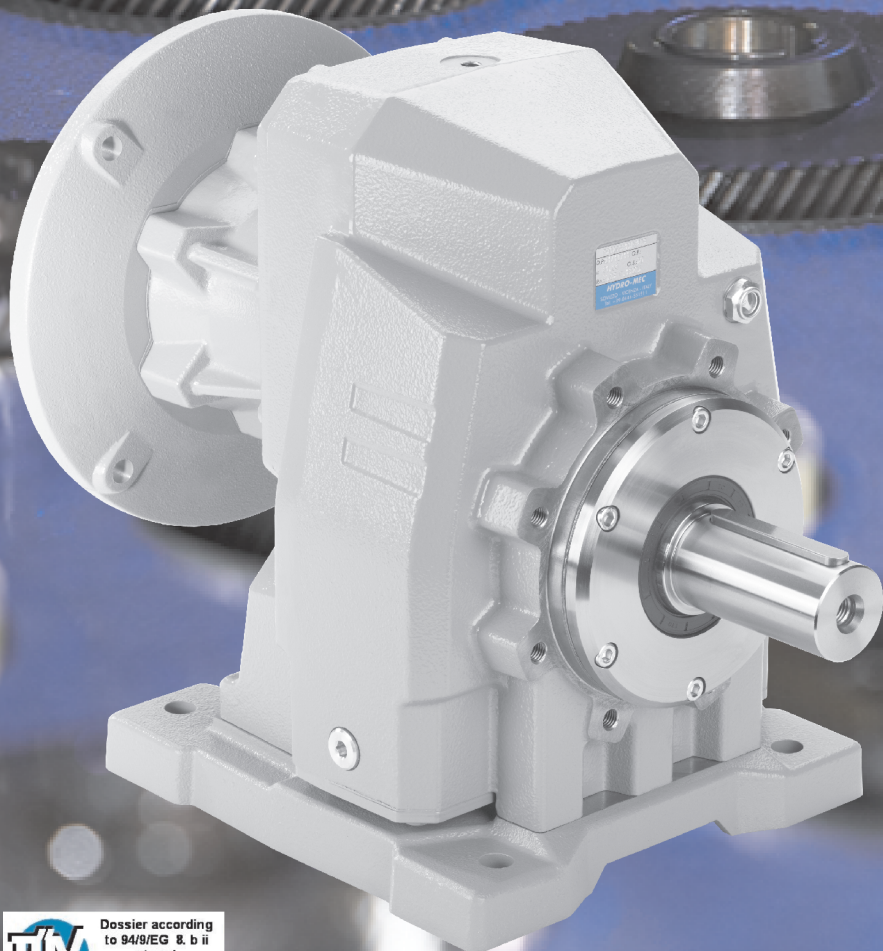
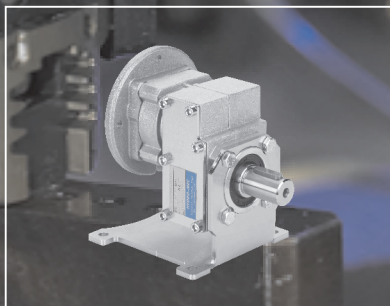
Coaxial

Gears

Cat.: CT-RCM-WO-HM017

Coaxial gearboxes

Riduttori Coassiali
0.12 ÷ 45kW



Made in Italy



Dossier according
to 94/9/EG 8. b ii
stored



HYDRO · MEC

Aluminum one step gearboxes

A modular and compact product

3

Alloy housing

Is vacuum impregnated (MIL-STD 276) for protection and sealing. No secondary finish required but readily accepts paint

Flange

Fully modular to IEC and Compact integrated motor. NEMA C flange

Gears

Hardened and ground gears.

Removable inspection cover

Allows periodic inspection of gearing during routine maintenance

Output shaft

With well proportioned bearings

Feet

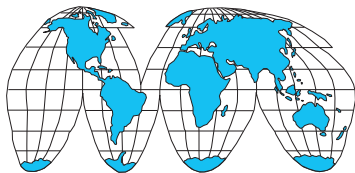
Removable feet.

Single-piece aluminum alloy housing

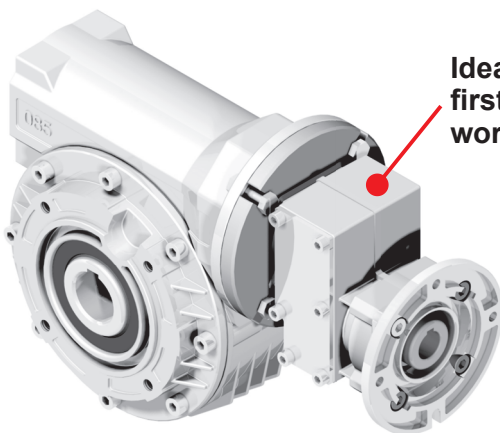
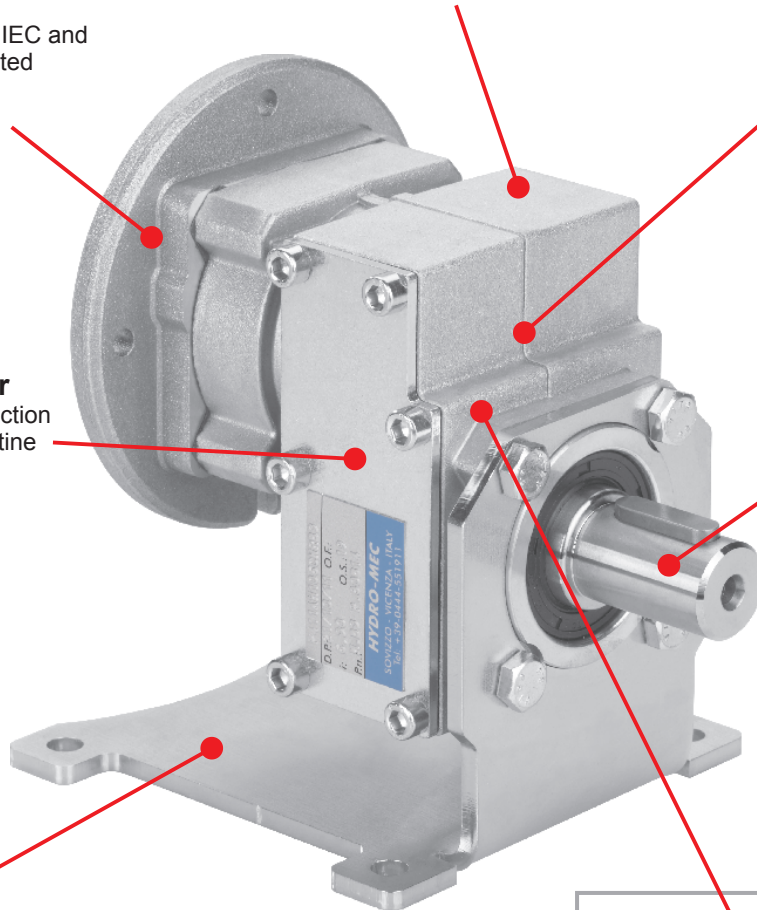
Combines light weight with high tensile strength. Precision machined for alignment of bearings and gearing

Ideal for use as first step with wormgearboxes.

Lubricated for life with synthetic oil with operative range from -15° to +130°C

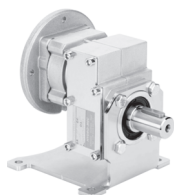


World wide sales network.



Specific type datasheet on page...

On page / A pagina / Auf Seite / À la page / En la página

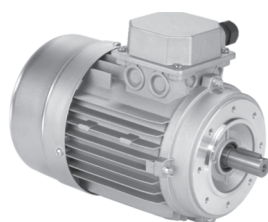


Types / Tipi
Tipen / Types
Tipos



3-5	3-7	3-9	3-11
211A 20Nm	311A 30Nm	411A 38Nm	511A 110Nm

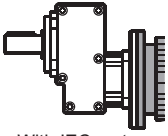
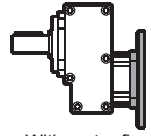
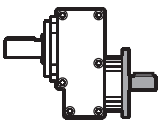
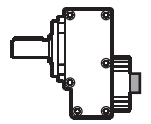
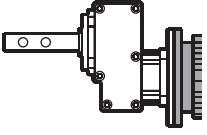
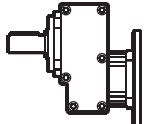
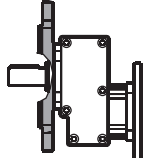
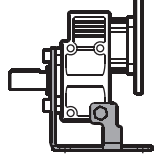
On page / A pagina / Auf Seite / À la page / En la página



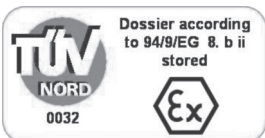
Types / Tipi
Tipen / Types
Tipos



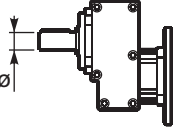
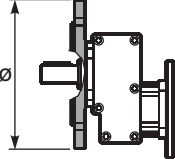
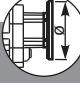
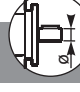

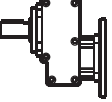


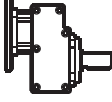
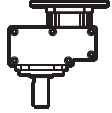
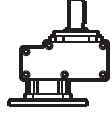




M-1									
56A 56B	63A 63B	71A 71B	80A 80B	90S 90L	100LA 100LB	112M	132S 132M	160M 160L	180M 180L

Type - Tipo - Typ Type - Tipo	Size - Grandezza - Grösse Taille - Tamaño	Mounting - Montaggio Montage - Fixation Tipo de montaje	Ratio - Rapporto Untersetzung Reduction Relación
P	311A	-F	2.84
<p>Aluminum one step gear Riduttori in alluminio a uno stadio</p> <div style="display: flex; justify-content: space-around;"> <div style="text-align: center;">  With IEC motor M </div> <div style="text-align: center;">  With motor flange P </div> </div> <div style="display: flex; justify-content: space-around; margin-top: 20px;"> <div style="text-align: center;">  With male input shaft R </div> <div style="text-align: center;">  Modular Base B </div> </div> <div style="border: 1px solid black; padding: 10px; margin-top: 20px; text-align: center;"> <p>Special output shaft Albero uscita speciale</p>  <p>Only on request for Q.ty A richiesta per quantità</p> </div>	<p>1 Stages Riduzioni Stufen Trains Etapas</p> <div style="border: 1px solid black; padding: 5px; margin: 10px auto; width: 80px; text-align: center;"> <p>211A 311A 411A 511A</p> </div>	<div style="text-align: center; margin-bottom: 20px;">  Without flange / feet -N </div> <div style="text-align: center; margin-bottom: 20px;">  Output flange mounted -F </div> <div style="text-align: center;">  Mounted feet H1 </div>	<p>See technical data table</p> <p>Vedi tabelle dati tecnici.</p> <p>Technisches Datenblatt beachten</p> <p>Voir Tableau données techniques</p> <p>Ver tabla datos técnicos</p>

3



On request we can deliver our products according to the ATEX
 A richiesta possiamo fornire i nostri prodotti secondo le normative ATEX
 Auf Anfrage können wir unsere Produkte den Richtlinien ATEX entsprechend liefern
 Sur demande nos produits peuvent se conformer à la réglementation ATEX
 A pedido, se pueden enviar nuestros productos de acuerdo con las normas ATEX.

Output shaft Albero uscita Abtriebswelle Arbre de sortie Eje en salida	Output flange Flangia uscita Ausgangsflansch Bride de sortie Brida en salida	Motor size - Grandezza motore Motor Größe Motor Grösse Grandeur moteur - Tamaño motor	Mounting position Posizione montaggio Einbaulage Position de montage Position de montaje	Input bore Foro entrata Eingangshohlwelle Trou d'entree Eje hueco de entrada	Terminal box position Posizione morsetteria Klemmkastenlage Position boîte à bornes Posición caja de bornes
<p style="text-align: center;">S</p>  <p>→ STANDARD</p> <div style="border: 1px solid black; padding: 2px; margin-bottom: 5px;">211A</div> <p>S → ∅14</p> <div style="border: 1px solid black; padding: 2px; margin-bottom: 5px;">311A</div> <p>S → ∅14 C ⇨ ∅19 E ⇨ ∅24</p> <div style="border: 1px solid black; padding: 2px; margin-bottom: 5px;">411A</div> <p>S ⇨ ∅14 C → ∅19 E ⇨ ∅24</p> <div style="border: 1px solid black; padding: 2px; margin-bottom: 5px;">511A</div> <p>C ⇨ ∅19 E ⇨ ∅24 G → ∅28</p>	<p style="text-align: center;">2</p>  <p>N Senza flangia Without flange</p> <div style="border: 1px solid black; padding: 2px; margin-bottom: 5px;">211A</div> <p>I ⇨ ∅105 Flangia integrata Integrated flange</p> <div style="border: 1px solid black; padding: 2px; margin-bottom: 5px;">311A</div> <p>1 ⇨ ∅120 2 ⇨ ∅140 3 → ∅160 4 ⇨ ∅200</p> <div style="border: 1px solid black; padding: 2px; margin-bottom: 5px;">411A</div> <p>1 ⇨ ∅120 2 ⇨ ∅140 3 ⇨ ∅160 4 → ∅200</p> <div style="border: 1px solid black; padding: 2px; margin-bottom: 5px;">511A</div> <p>1 ⇨ ∅120 2 ⇨ ∅140 3 ⇨ ∅160 4 ⇨ ∅200 5 → ∅250</p>	<p style="text-align: center;">-C</p> <p>Flange Flangia</p>  <div style="border: 1px solid black; padding: 2px; margin-bottom: 5px;">B5</div> <p>-A=56 (∅120) -B=63 (∅140) -C=71 (∅160) -D=80 (∅200) -E=90 (∅200) -F=100+112 (∅250) -G=132 (∅300)</p> <div style="border: 1px solid black; padding: 2px; margin-bottom: 5px;">B14</div> <p>-O=56 (∅80) -P=63 (∅90) -Q=71 (∅105) -R=80 (∅120) -T=90 (∅140) -U=100+112 (∅160) -V=132 (∅200)</p> <p>Type R Tipo R</p>  <div style="border: 1px solid black; padding: 2px; margin-bottom: 5px;">211A 311A</div> <p>-1 ⇨ ∅14 -2 ⇨ ∅19 -3 ⇨ ∅24</p> <div style="border: 1px solid black; padding: 2px; margin-bottom: 5px;">411A</div> <p>-3 ⇨ ∅24</p> <p>Without flange Senza flangia</p>  <div style="border: 1px solid black; padding: 2px; margin-bottom: 5px;">211A 311A</div> <p>-Z ⇨ ∅9 (56B5) -0 ⇨ ∅11 (63B5) -1 ⇨ ∅14 (71B5)</p> <div style="border: 1px solid black; padding: 2px; margin-bottom: 5px;">411A</div> <p>-1 ⇨ ∅14 (71B5) -2 ⇨ ∅19 (80B5) -3 ⇨ ∅24 (90B5)</p> <div style="border: 1px solid black; padding: 2px; margin-bottom: 5px;">511A</div> <p>-2 ⇨ ∅19 (80B5) -3 ⇨ ∅24 (90B5) -4 ⇨ ∅28 (100B5)</p>	<p style="text-align: center;">B3</p>  <p>B3 STANDARD</p>  <p>B6</p>  <p>B7</p>  <p>B8</p>  <p>V5</p>  <p>V6</p>	<p style="text-align: center;">-</p> <p>Nothing indication: standard bore</p> <p>Nessuna indicazione: foro standard</p>	<p>With Type M specify terminal box position Con tipo M specificare posizione morsetteria</p>  <p>A</p>  <p>B STANDARD</p>  <p>C</p>  <p>D</p>

POTENZA RICHIESTA / REQUIRED POWER / ERFORDERLICHE LEISTUNG / PUISSANCE NECESSAIRE / POTENCIA NECESARIA

Lifting / sollevamento / hubantriebe / levage / elevación

$$P [KW] = \frac{M [Kg] \cdot g [9.81] \cdot v [m / s]}{1000}$$

Rotation / rotazione / drehung / rotation / rotation

$$P [KW] = \frac{M [Nm] \cdot n [rpm]}{9550}$$

Linear movement / traslazione / linearbewegung / translation / translacion

$$P [KW] = \frac{F [N] \cdot v [m / s]}{1000}$$

3

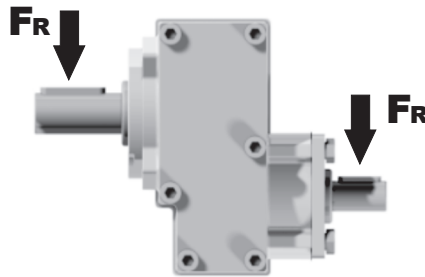
TORQUE / COPPIA / DREHMOMENT / COUPLE / PAR

$$M [Nm] = \frac{9550 \cdot P[KW]}{n [rpm]}$$

$$M [lb in] = \frac{63030 \cdot P[HP]}{n [rpm]}$$

RADIAL LOADS / CARICHI RADIALI / RADIALE - UND AXIALLASTEN / CHARGES RADIALES / CARGA RADIAL Y AXIAL

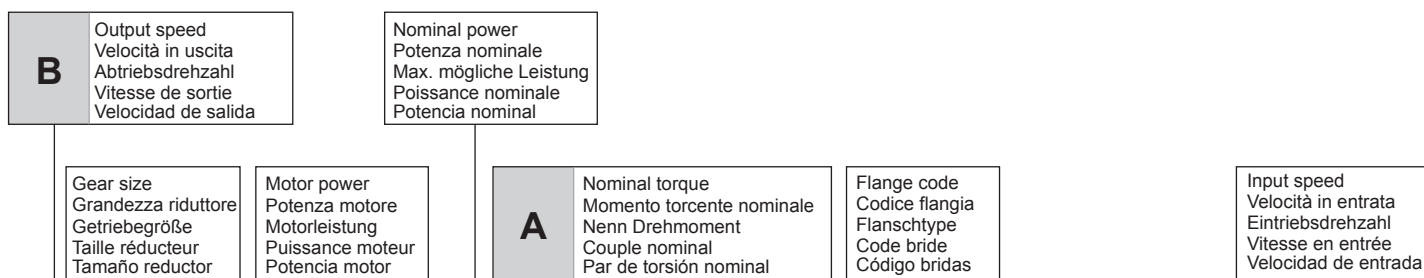
- Radial load generated by external transmissions keyed onto input and/or output shafts.
- Forza radiale generata da organi di trasmissione calettati sugli alberi di ingresso e/o uscita.
- Belastungen der Antriebs- bzw. Abtriebswellen durch von aussen eingebrachte Radiallasten.
- Charge radiale générée par la transmissions calés sur les entrées et / ou des arbres de sortie
- Cargas radiales, generada por transmisiones externas, aplicadas sobre los ejes de entrada y/o salida



	$F_R [N] = \frac{M [Nm] \cdot 2000}{d [mm]} \cdot f_k$	$F_R [N] = \frac{M [lb in] \cdot 8.9}{d [in]} \cdot f_k$
M	Momento torcente / Output torque / Abtriebsdrehmoment / Couple / Par torsion	
d	Diametro primitivo / Diam. of driving element / Durchmesser der Abtriebseinheit / Diamètre primitif / Diámetro primitivo	
f_k	Coefficiente di trasformazione / Factor / Faktor / Coefficient de transmission / Coeficiente de transmisión 1.15 Ingranaggi / Gearwheels / Zahnrad / Engrenage / Engranaje 1.25 Catena / Chain sprockets / Antriebskette / Chaîne / Cadena 1.75 Cinghia Trapezoidale / Narrow v-belt pulley / Keilriemen / Courroie trap. / Correa trapezoidal 2.50 Cinghia piatta / Flat-belt pulley / Flachzahnriem. / Courroie crantée / Correa plana	

- If your application requires higher radial loads, contact our technical office. Higher load may be possible.
- Nel caso la vostra applicazione richieda carichi radiali superiori consultare il nostro ufficio tecnico, valori maggiori possono essere accettati.
- Wenn Ihre Anwendung höhere Radialbelastungen erfordert, so wenden Sie sich bitte an unser technischen Büro.
- Si votre application demande des charges radiales supérieures, s'adresser à notre bureau technique.
- En el caso en que una aplicación exija una carga radial superior a la especificada en el catálogo, consultar a nuestra oficinas técnica.

How to select a gearbox / Come selezionare un riduttore / Wie wählt man ein Getriebe
Comment sélectionner un réducteur / Cómo seleccionar un reductor



311A One step 30Nm

Rating - Aluminum ONE STEP GEARBOXES

QUICK SELECTION / Selezione velocità input speed (n₁) = 1400 min⁻¹

Output Speed n ₂ [min ⁻¹]	Ratio i	Motor power P _{1M} [kW]	Output torque M _{2M} [Nm]	Service factor f.s.	Nominal power P _{1R} [kW]	Nominal torque M _{2R} [Nm]	Available B5 motor flanges		Available B14 motor flanges			Output Shaft Ø	Ratios code
							-B	-C	-O	-P	-Q		
892	1.57	0.37	3.9	3.3	1.24	13			C	C		2844	01
493	2.84	0.37	7.0	3.3	1.21	23			C	C		1954	02
426	3.29	0.37	8.1	3.2	1.18	26			C	C		1756	03
362	3.87	0.37	9.6	2.9	1.08	28			C	C		1558	04



fs

Type of load and starts per hour Tipo di carico e avviamenti per ora		Oper. hours per day Ore di funz. giorn.		
		3 h	10 h	24 h
Continuous or intermittent appl. with start / hour Applicazione cont. o interm. con n.ro operazioni/ora	Uniform / Uniforme	0.8	1	1.25
	Moderate / Moderato	1	1.25	1.5
	Heavy / Forte	1.25	1.5	1.75
Intermittent application with start / hour Applicazione intermittente con n.ro operazioni/ora	Uniform / Uniforme	1	1.25	1.5
	Moderate / Moderato	1.25	1.5	1.75
	Heavy / Forte	1.5	1.75	2.15

D Motor flange available
Flange disponibili
Erhältliche Motorflansche
Brides disponibles
Bridas disponibles

B) Mounting with reduction ring
Montaggio con boccia di riduzione
Reduzierhülsen
Montage avec douille de réduction
Montaje con casquillo de reducción

C) Motor flangeholes position/terminal box position
Posizione fori flangia/basetta motore
Bohrungsposition am Motorflansch/-socket
Position trous bride/barrette à bornes moteur
Posición agujeros brida / base motor



B) Available without reduction bushes
Disponibile anche senza boccia
Auch ohne Reduzierbuchse verfügbar
Disponible aussi sans douille de réduction
Disponible también sin casquillo

A	Select required torque (according to service factor)	Seleziona la coppia desiderata (comprensiva del fattore di servizio)	Max. Drehmoment in Bezug zum Betriebsfaktor	Sélectionner le couple souhaité (comprenant le facteur de service)	Seleccionar el par deseado (incluyendo el factor de servicio)
B	Select output speed	Seleziona la velocità in uscita	Ausgewählte Abtriebsdrehzahl	Sélectionner la vitesse de sortie	Seleccionar la velocidad de salida
C	On the same line of selected geared motor, you can find the gear ratio	Sulla riga corrispondente alla motorizzazione prescelta si può rilevare il rapporto di riduzione	Auf der gleichen Linie wie die ausgewählte Motorleistung steht auch die Getriebeuntersetzung	Sur la ligne correspondante à la motorisation pré-choisie on peut relever le rapport de réduction	En la línea correspondiente al motor preseleccionado es posible encontrar la relación de reducción
D	Select motor flange available (if requested)	Scegli la flangia disponibile (se richiesta)	Erhältliche Motorflansche (auf Anfrage)	Choisir la bride disponible (si elle est demandée)	Seleccionar la brida disponible (sobre pedido)



QUICK SELECTION / Selezione veloce

input speed (n_1) = 1400 min⁻¹

Output Speed n_2 [min ⁻¹]	Ratio i	Motor power P_{1M} [kW]	Output torque M_{2M} [Nm]	Service factor f.s.	Nominal power P_{1R} [kW]	Nominal torque M_{2R} [Nm]	Available B5 motor flanges				Available B14 motor flanges				Output Shaft  standard ø14	Ratios code 
							-B	-C	-D	-E	-O	-P	-Q	-R		
							63	71	80	90	56	63	71	80		
682	2.05	0.37	5	2.0	0.73	10					C	C			1939	01
595	2.35	0.37	6	2.1	0.76	12					C	C			1740	02
500	2.80	0.37	7	2.0	0.75	14					C	C			1542	03
414	3.38	0.37	8	2.0	0.75	17					C	C			1344	04
298	4.70	0.37	12	1.7	0.64	20					C	C			1047	05
225	6.22	0.37	15	1.5	0.55	23					C	C			956	06
169	8.29	0.37	20	1.0	0.36	20					C	C			758	07
142	9.83	0.25	16	1.0	0.24	16					C	C			659	08

The dynamic efficiency is **0.98** for all ratios

A Motor Flanges Available
Flange Motore Disponibili

B Supplied with Reduction Bushing
Fornito con Bussola di Riduzione

B Available on Request without reduction bushing
Disponibile a Richiesta senza Bussola di Riduzione

C Motor Flange Holes Position
Posizione Fori Flangia Motore

EN Unit **211A** is supplied with synthetic oil for lifetime lubrication, no maintenance is necessary. See table 1 for lubrication and recommended quantity. In table 2 please see possible radial loads and axial loads on the gearbox.

I Il riduttore **211A** viene fornito completo di olio sintetico per la lubrificazione permanente e non necessita di alcuna manutenzione. Vedi tab.1 per oli e quantità consigliati. In tab.2 sono presenti i carichi radiali e assiali applicabili al riduttore.

D Das Getriebe **211A** ist mit synthetischem Öl gefüllt und ist lebensdauergeschmiert. In Tabelle 1 ist die Schmiermenge und das empfohlene Schmiermittel angegeben. In Tabelle 2 sind die zulässigen Radial- und Axialbelastungen des Getriebes aufgeführt.

F Le réducteur **211A** est fourni complet avec de l'huile synthétique pour la lubrification permanente et ne nécessite aucun entretien. Voir tableau 1 concernant les huiles et les quantités conseillées. Les charges radiales et axiales applicables au réducteur sont précisées dans le tableau 2.

E El reductor tamaño **211A** se suministra, lubricado de por vida con aceite sintético y no requieren mantenimiento alguna. Ver tabla 1, para cantidades y aceites recomendados. En la tabla 2, se encuentran las cargas radiales y axiales admitidas por el reductor.

LUBRICATION 211A Oil Quantity 0.05 Lt.

AGIP Telium VSF 320

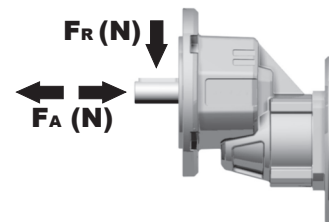
SHELL Omala S4 WE 320

For all details on lubrication and plugs check our website **tab. 1**
Per maggiori dettagli su lubrificazione e tappi olio vedi il nostro sito web

RADIAL AND AXIAL LOADS

Output shaft

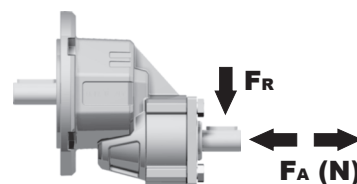
Albero di uscita



n_2	FA	FR
700	101	504
600	120	600
400	138	696
300	151	756
200	175	876
140	192	960

Input shaft

albero in entrata



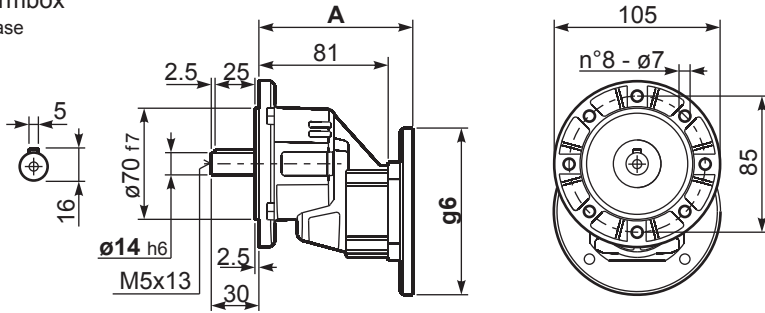
n_1	FA	FR
1400	168	840
900	192	960

*Strong axial loads in the DX direction are not allowed.
Non sono consentiti forti carichi assiali con direzione DX

tab. 2

P211A-F... Basic wormbox
Riduttore base

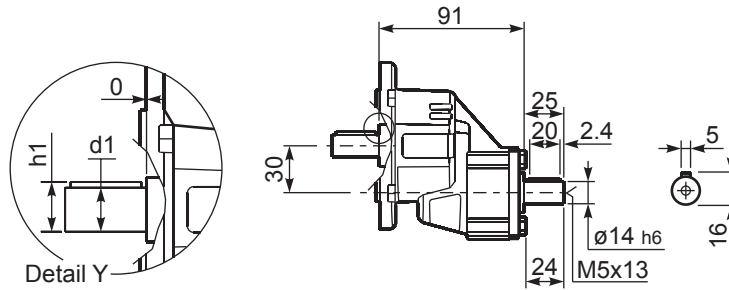
Gearbox weight
peso riduttore **1.40 kg**



B5 Motor Flanges	A	g6	kit code
63 B5	99.5	138	K050.4.041
71 B5	97	160	K050.4.042

B14 Motor Flanges	A	g6	kit code
56 B14	97	80	KC40.4.049
63 B14	99.5	90	K050.4.047
71 B14	97	105	K050.4.045

R211A-F... Basic wormbox
Riduttore base



*Available output shaft / Albero di uscita

	Shaft - d1	p1	h1	x
Standard	$\phi 14 \times 30$	5	16	M5x13



QUICK SELECTION / Selezione veloce

input speed (n_1) = 1400 min⁻¹

Output Speed n_2 [min ⁻¹]	Ratio i	Motor power P_{1M} [kW]	Output torque M_{2M} [Nm]	Service factor f.s.	Nominal power P_{1R} [kW]	Nominal torque M_{2R} [Nm]	Available B5 motor flanges		Available B14 motor flanges			Output Shaft 	Ratios code		
							-B	-C	-O	-P	-Q				
891	1.57	0.37	4	3.3	1.2	13			C	C		2844	standard ø14	01	
493	2.84	0.37	7	3.3	1.2	23			C	C		1954		02	
425	3.29	0.37	8	3.2	1.2	26			C	C		1756		03	
362	3.87	0.37	10	2.9	1.1	28			C	C		1558		04	
303	4.62	0.37	11	2.6	0.97	30			C	C		1360		On request	05
222	6.30	0.37	16	2.2	0.83	35			C	C		1063		ø19	06
170	8.22	0.37	20	1.9	0.69	38			C	C		974		ø24	07
129	10.86	0.37	27	1.0	0.39	28			C	C		776			08

The dynamic efficiency is **0.98** for all ratios

A) Motor Flanges Available
Flange Motore Disponibili

B) Supplied with Reduction Bushing
Fornito con Bussola di Riduzione

B) Available on Request without reduction bushing
Disponibile a Richiesta senza Bussola di Riduzione

C) Motor Flange Holes Position
Posizione Fori Flangia Motore

EN Unit **311A** is supplied with synthetic oil for lifetime lubrication, no maintenance is necessary. See table 1 for lubrication and recommended quantity. In table 2 please see possible radial loads and axial loads on the gearbox.

I Il riduttore **311A** viene fornito completo di olio sintetico per la lubrificazione permanente e non necessita di alcuna manutenzione. Vedi tab.1 per oli e quantità consigliati. In tab.2 sono presenti i carichi radiali e assiali applicabili al riduttore.

D Das Getriebe **311A** ist mit synthetischem Öl gefüllt und ist lebensdauergeschmiert. In Tabelle 1 ist die Schmiermenge und das empfohlene Schmiermittel angegeben. In Tabelle 2 sind die zulässigen Radial- und Axialbelastungen des Getriebes aufgeführt.

F Le réducteur **311A** est fourni complet avec de l'huile synthétique pour la lubrification permanente et ne nécessite aucun entretien. Voir tableau 1 concernant les huiles et les quantités conseillées. Les charges radiales et axiales applicables au réducteur sont précisées dans le tableau 2.

E El reductor tamaño **311A** se suministra, lubricado de por vida con aceite sintético y no requieren mantenimiento alguna. Ver tabla 1, para cantidades y aceites recomendados. En la tabla 2, se encuentran las cargas radiales y axiales admitidas por el reductor.

LUBRICATION 311A Oil Quantity 0.10 Lt.

AGIP Telium VSF 320

SHELL Omala S4 WE 320

For all details on lubrication and plugs check our website

tab. 1

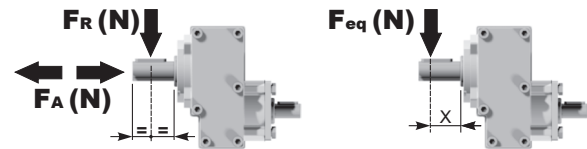
Per maggiori dettagli su lubrificazione e tappi olio vedi il nostro sito web

RADIAL AND AXIAL LOADS

Output shaft

Albero di uscita

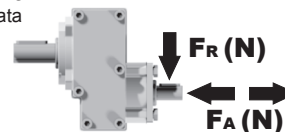
$$F_{eq} = F_R \cdot \frac{38.5}{X+18.5}$$



n_2	FA	FR	n_2	FA	FR	n_2	FA	FR
700	120	640	400	160	800	200	200	1020
600	140	700	300	175	880	140	225	1120

Input shaft

Albero in entrata

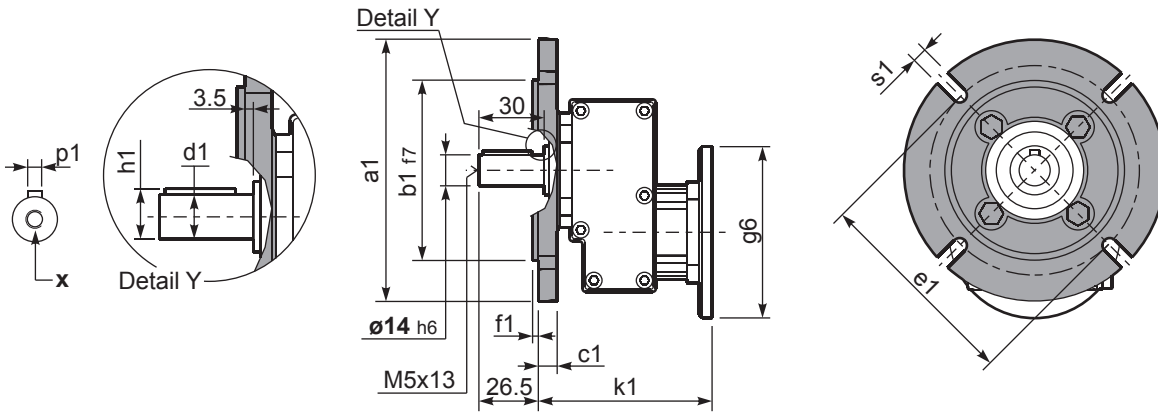


n_1	FA	FR
1400	180	860
900	200	980

tab. 2

P311-F... Output flange
flange di uscita

Gearbox weight
peso riduttore **2.50 kg**



***Available output shaft / Albero di uscita**

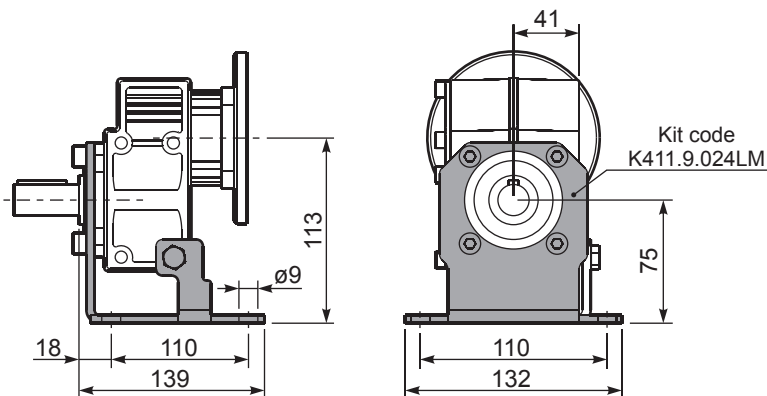
	Shaft - d1	p1	h1	x
Standard	∅ 14x30	5	16	M5x13
On request A richiesta	∅ 19x40 ∅ 24x40	6 8	21.5 27	M6x16 M6x16

Available output flanges / flange di uscita

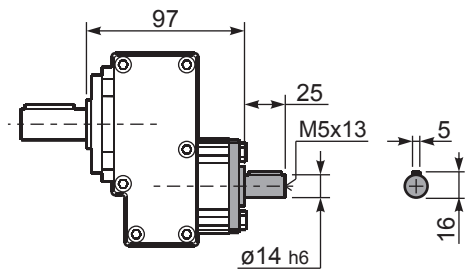
a1 ∅	b1	c1	e1	f1	s1	kit code
120	80	11.5	100	3	9*	KC30.9.010
140	95	11.5	115	3	9	KC30.9.011
160	110	11.5	130	3.5	9	KC30.9.012
200	130	11.5	165	3.5	11	KC30.9.013

*Holes position
posizione fori

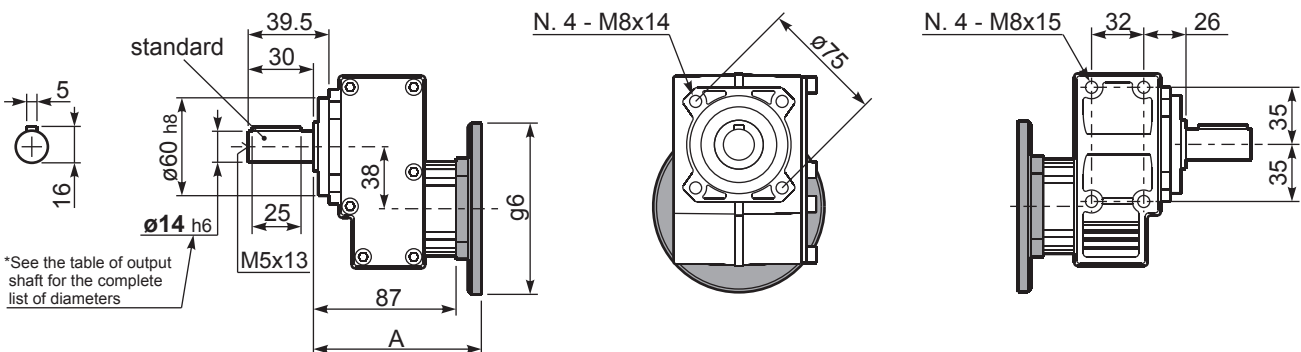
P311-H1... With feet
Con piedini



R311-N... Input Shaft
Albero in entrata



P311-N... Basic gearbox
Riduttore base



B14 Motor Flanges	A	g6	k1	kit code
56 B14	103	80	106.5	KC40.4.049
63 B14	105.5	90	109	K050.4.047
71 B14	103	105	106.5	K050.4.045

B5 Motor Flanges	A	g6	k1	kit code
63 B5	105.5	138	109	K050.4.041
71 B5	103	160	106.5	K050.4.042



QUICK SELECTION / Selezione veloce

input speed (n_1) = 1400 min⁻¹

Output Speed n_2 [min ⁻¹]	Ratio i	Motor power P_{1M} [kW]	Output torque M_{2M} [Nm]	Service factor f.s.	Nominal power P_{1R} [kW]	Nominal torque M_{2R} [Nm]	Available B5 motor flanges				Available B14 motor flanges			Output Shaft 	Ratios code	
							-B	-C	-D	-E	-Q	-R	-T			
							63	71	80	90	71	80	90			
891	1.57	1.5	16	1.3	1.9	20	B				C	C		2844	standard ø19 On request ø14 ø24	01
493	2.84	1.5	28	1.2	1.8	35	B				C	C		1954		02
425	3.29	1.5	33	1.2	1.7	38	B				C	C		1756		03
362	3.87	1.5	39	1.0	1.5	40	B				C	C		1558		04
303	4.62	1.5	46	1.0	1.5	47	B				C	C		1360		05
222	6.30	1.1	46	1.0	1.1	46	B				C	C		1063		06
170	8.22	0.55	30	1.3	0.69	38	B				C	C		974		07
129	10.86	0.37	27	1.0	0.39	28	B				C	C		776		08

The dynamic efficiency is **0.98** for all ratios

Motor Flanges Available
Flange Motore Disponibili

B) Supplied with Reduction Bushing
Fornito con Bussola di Riduzione

B) Available on Request without reduction bushing
Disponibile a Richiesta senza Bussola di Riduzione

C) Motor Flange Holes Position
Posizione Fori Flangia Motore

EN Unit **411A** is supplied with synthetic oil for lifetime lubrication, no maintenance is necessary. See table 1 for lubrication and recommended quantity. In table 2 please see possible radial loads and axial loads on the gearbox.

I Il riduttore **411A** viene fornito completo di olio sintetico per la lubrificazione permanente e non necessita di alcuna manutenzione. Vedi tab.1 per oli e quantità consigliati. In tab.2 sono presenti i carichi radiali e assiali applicabili al riduttore.

D Das Getriebe **411A** ist mit synthetischem Öl gefüllt und ist lebensdauer geschmiert. In Tabelle 1 ist die Schmiermenge und das empfohlene Schmiermittel angegeben. In Tabelle 2 sind die zulässigen Radial - und Axialbelastungen des Getriebes aufgeführt.

F Le réducteur **411A** est fourni complet avec de l'huile synthétique pour la lubrification permanente et ne nécessite aucun entretien. Voir tableau 1 concernant les huiles et les quantités conseillées. Les charges radiales et axiales applicables au réducteur sont précisées dans le tableau 2.

E El reductor tamaño **411A** se suministra, lubricado de por vida con aceite sintético y no requieren mantenimiento alguna. Ver tabla 1, para cantidades y aceites recomendados. En la tabla 2, se encuentran las cargas radiales y axiales admitidas por el reductor.

LUBRICATION 411A Oil Quantity 0.10 Lt.

AGIP Telium VSF 320

SHELL Omala S4 WE 320

For all details on lubrication and plugs check our website

tab. 1

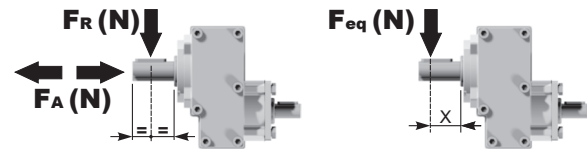
Per maggiori dettagli su lubrificazione e tappi olio vedi il nostro sito web

RADIAL AND AXIAL LOADS

Output shaft

Albero di uscita

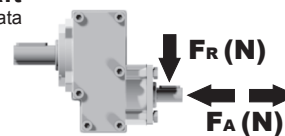
$$F_{eq} = F_R \cdot \frac{40}{X+20}$$



n_2	FA	FR	n_2	FA	FR	n_2	FA	FR
700	182	910	400	230	1150	200	290	1450
600	200	1000	300	250	1250	140	320	1600

Input shaft

Albero in entrata

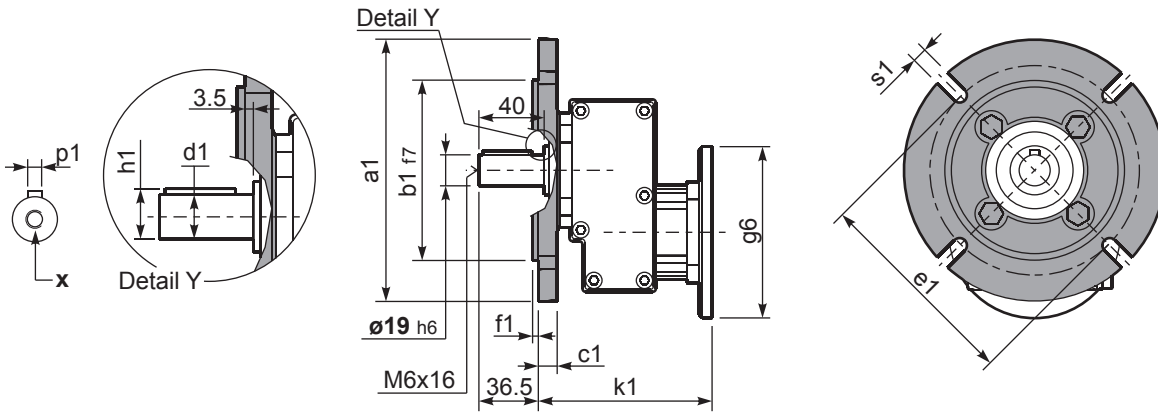


n_1	FA	FR
1400	240	1200
900	280	1400

tab. 2

P411-F... Output flange
flange di uscita

Gearbox weight
peso riduttore **3.20 kg**



***Available output shaft / Albero di uscita**

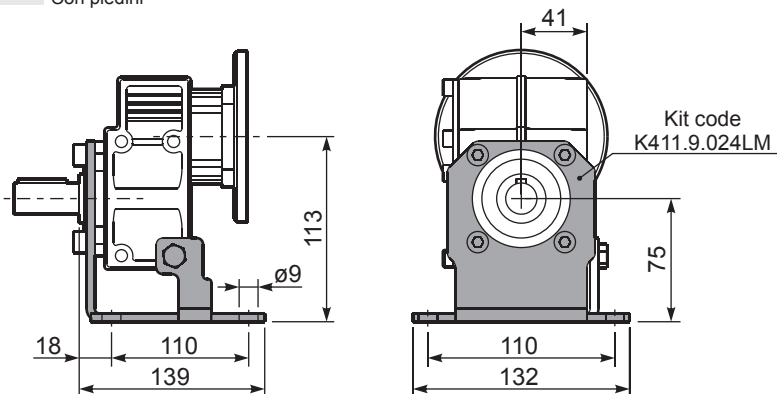
	Shaft - d1	p1	h1	x
Standard	∅ 19x40	6	21.5	M6x16
On request A richiesta	∅ 14x30 ∅ 24x40	5 8	16 27	M5x13 M6x16

Available output flanges / flange di uscita

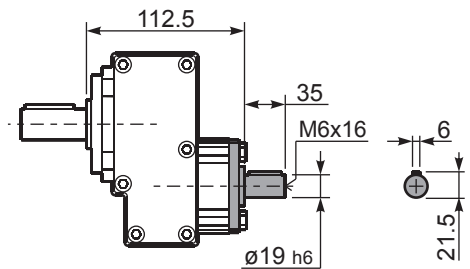
a1 ∅	b1	c1	e1	f1	s1	kit code
120	80	11.5	100	3	9*	KC30.9.010
140	95	11.5	115	3	9	KC30.9.011
160	110	11.5	130	3.5	9	KC30.9.012
200	130	11.5	165	3.5	11	KC30.9.013

*Holes position
posizione fori

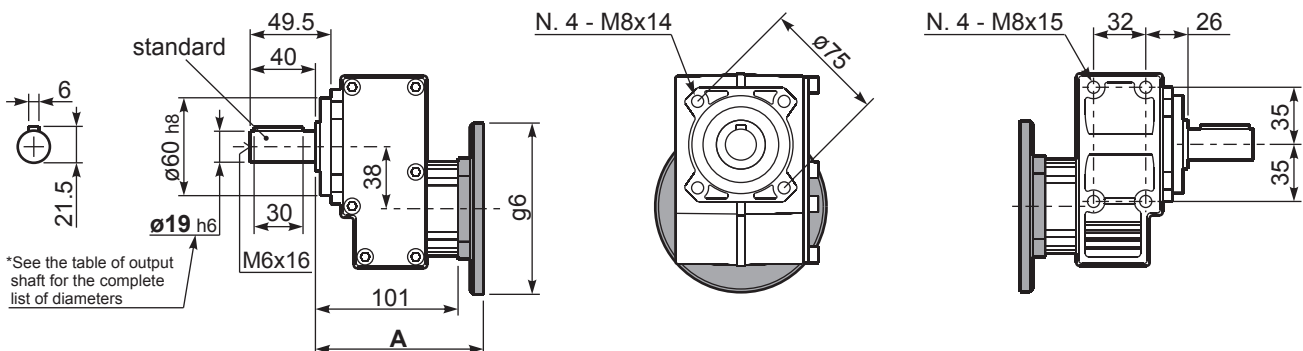
P411-H1... With feet
Con piedini



R411-N... Input Shaft
Albero in entrata



P411-N... Basic gearbox
Riduttore base



*See the table of output shaft for the complete list of diameters

B5 Motor Flanges	A	g6	k1	kit code
63 B5	121.5	140	125	K063.4.041
71 B5	119.5	160	123	K063.4.042
80/90 B5	121.5	200	125	K063.4.043

B14 Motor Flanges	A	g6	k1	kit code
71 B14	119.5	105	123	K063.4.047
80 B14	121.5	120	125	K063.4.046
90 B14	121.5	140	125	K063.4.041



QUICK SELECTION / Selezione veloce

input speed (n_1) = 1400 min⁻¹

Output Speed n_2 [min ⁻¹]	Ratio i	Motor power P_{1M} [kW]	Output torque M_{2M} [Nm]	Service factor f.s.	Nominal power P_{1R} [kW]	Nominal torque M_{2R} [Nm]	Available B5 motor flanges					Available B14 motor flanges				Output Shaft			
							-C	-D	-E	-F	-G	-R	-T	-U	-V			Ratios code	
							71	80	90	100 112	132	80	90	100 112	132				
1077	1.30	4	34	1.2	4.6	40	B										3039	standard ø28	01
571	2.45	4	64	1.1	4.3	70	B										2049		02
423	3.31	4	87	1.0	4.1	90	B										1653	03	
325	4.31	4	113	1.0	3.8	110	B										1356	04	
266	5.27	3	104	1.1	3.1	110	B										1158	On request	05
184	7.63	2.2	111	1.0	2.2	110	B										861	ø19	06
133	10.50	1.1	77	1.0	1.1	80	B										663	ø24	07

The dynamic efficiency is **0.98** for all ratios

A Motor Flanges Available
Flange Motore Disponibili

B Supplied with Reduction Bushing
Fornito con Bussola di Riduzione

B Available on Request without reduction bushing
Disponibile a Richiesta senza Bussola di Riduzione

C Motor Flange Holes Position
Posizione Fori Flangia Motore

EN Unit **511A** is supplied with synthetic oil for lifetime lubrication, no maintenance is necessary. See table 1 for lubrication and recommended quantity. In table 2 please see possible radial loads and axial loads on the gearbox.

I Il riduttore **511A** viene fornito completo di olio sintetico per la lubrificazione permanente e non necessita di alcuna manutenzione. Vedi tab.1 per oli e quantità consigliati. In tab.2 sono presenti i carichi radiali e assiali applicabili al riduttore.

D Das Getriebe **511A** ist mit synthetischem Öl gefüllt und ist lebensdauergeschmiert. In Tabelle 1 ist die Schmiermenge und das empfohlene Schmiermittel angegeben. In Tabelle 2 sind die zulässigen Radial- und Axialbelastungen des Getriebes aufgeführt.

F Le réducteur **511A** est fourni complet avec de l'huile synthétique pour la lubrification permanente et ne nécessite aucun entretien. Voir tableau 1 concernant les huiles et les quantités conseillées. Les charges radiales et axiales applicables au réducteur sont précisées dans le tableau 2.

E El reductor tamaño **511A** se suministra, lubricado de por vida con aceite sintético y no requieren mantenimiento alguna. Ver tabla 1, para cantidades y aceites recomendados. En la tabla 2, se encuentran las cargas radiales y axiales admitidas por el reductor.

LUBRICATION 511A Oil Quantity 0.29 Lt.

AGIP Telium VSF 320

SHELL Omala S4 WE 320

For all details on lubrication and plugs check our website

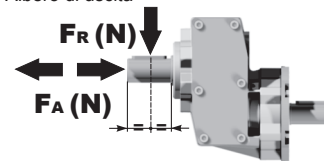
tab. 1

Per maggiori dettagli su lubrificazione e tappi olio vedi il nostro sito web

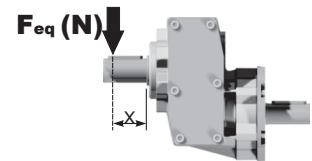
RADIAL AND AXIAL LOADS

Output shaft

Albero di uscita



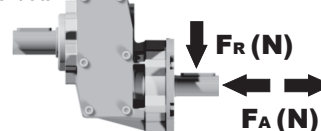
$$F_{eq} = F_R \cdot \frac{52.5}{X+22.5}$$



n_2	FA	FR	n_2	FA	FR	n_2	FA	FR
700	294	1470	400	370	1850	200	460	2300
600	320	1600	300	400	2000	140	510	2550

Input shaft

Albero in entrata

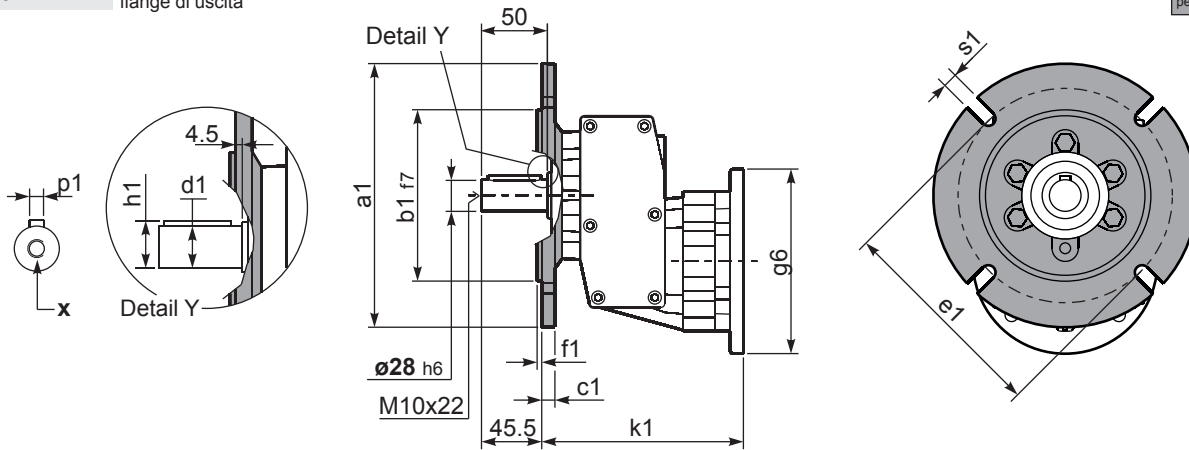


n_1	FA	FR
1400	400	2000
900	440	2200

tab. 2

P511-F... Output flanges
flange di uscita

Gearbox weight
peso riduttore **5.00 kg**



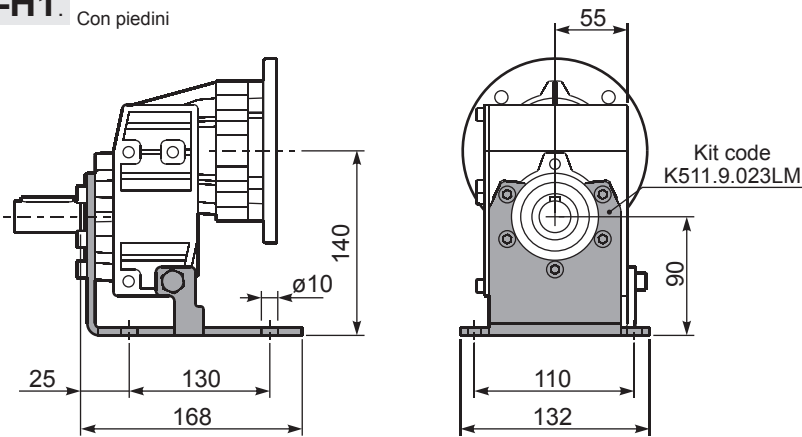
***Available output shaft / Albero di uscita**

	Shaft - d1	p1	h1	x
Standard	ø 28x50	8	31	M10x22
On request A richiesta	ø 24x50 ø 19x40	8 6	27 21.5	M8x19 M6x16

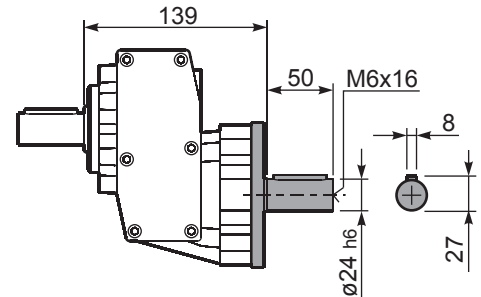
Available output flanges / flange di uscita

a1 ø	b1	c1	e1	f1	s1	kit code
120	80	10	100	3	7	KC40.9.010
140	95	10	115	3	9	KC40.9.011
160	110	10	130	3.5	9	KC40.9.012
200	130	11	165	3.5	11	KC40.9.013
250	180	11.5	215	3.5	14	KC40.9.014

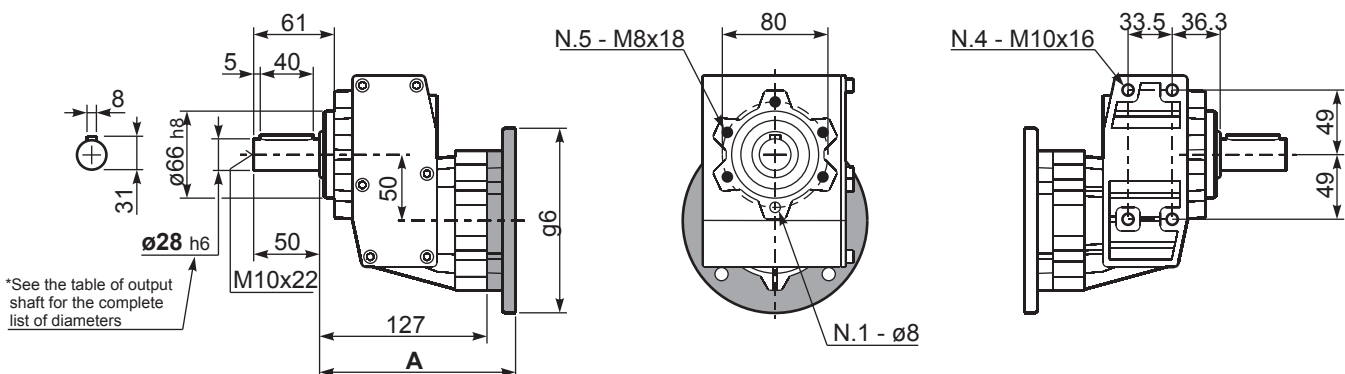
P511A-H1. With feet
Con piedini



R511A-N... Input Shaft
Albero in entrata



P511-N... Basic gearbox
Riduttore base



*See the table of output shaft for the complete list of diameters

B5 Motor Flanges	A	g6	k1	kit code
71 B5	145.5	160	150	K023.4.041
80/90 B5	147.5	200	152	K023.4.042
100/112 B5	156.5	250	161	K023.4.043
132 B5	174.5	300	179	KC50.4.043

B14 Motor Flanges	A	g6	k1	kit code
80 B14	147.5	120	152	K085.4.046
90 B14	147.5	140	152	K085.4.045
100/112 B14	156.5	160	161	K085.4.047
132 B14	174.5	200	179	KC50.4.041

Aluminum in line gearboxes

A modular and compact product

Alloy housing

Is vacuum impregnated (MIL-STD 276) for protection and sealing. No secondary finish required but readily accepts paint

Flange

Fully modular to IEC and Compact integrated motor. NEMA C flange

Removable inspection cover

Allows periodic inspection of gearing during routine maintenance

Oil seals

Two oil seals on request

Output shaft

With well proportioned bearings

Lubricated for life with synthetic oil with operative range from -15° to +130°C



Foot prints

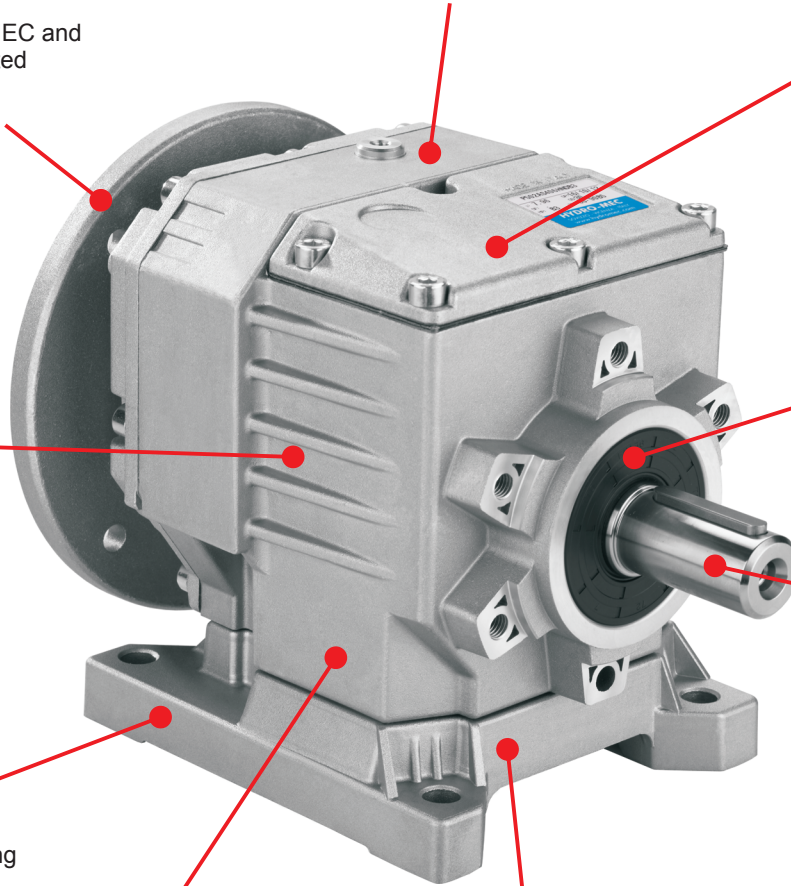
Compatible to the main standard of the market.

Feet

Removable feet. With patented locking system.

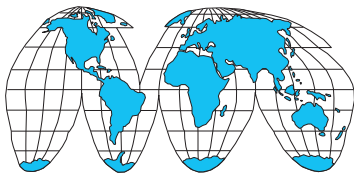
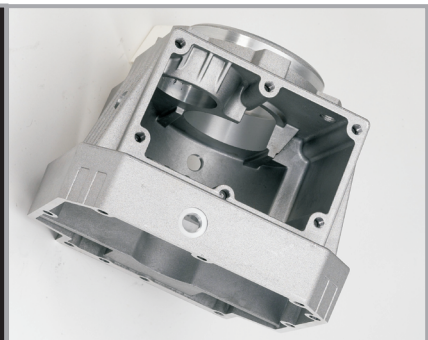
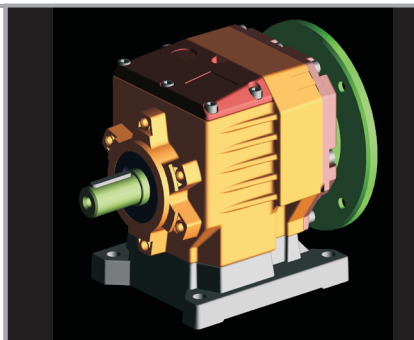
Gears

Hardened and ground gears.

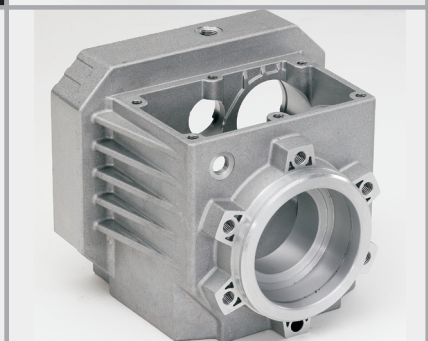
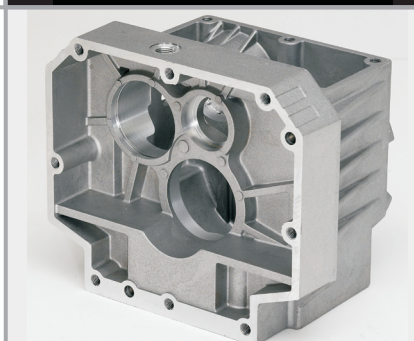


Single-piece aluminum alloy housing

Combines light weight with high tensile strength. Precision machined for alignment of bearings and gearing

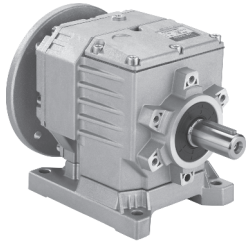


World wide sales network.



Specific type datasheet on page...

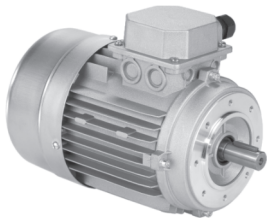
On page / A pagina / Auf Seite / À la page / En la página



Types / Tipi
Tipen / Types
Tipos

4-5	4-7	4-9	4-11	4-13	4-15	4-17	4-19	4-21
202A 70Nm	302A 120Nm	402A 160Nm	403A 160Nm	452A 300Nm	502A 350Nm	503A 350Nm	602A 520Nm	603A 520Nm

On page / A pagina / Auf Seite / À la page / En la página



Types / Tipi
Tipen / Types
Tipos

M-1									
56A 56B	63A 63B	71A 71B	80A 80B	90S 90L	100LA 100LB	112M	132S 132M	160M 160L	180M 180L

Type - Tipo - Typ
Type - Tipo

Size - Grandezza - Grösse
Taille - Tomafío

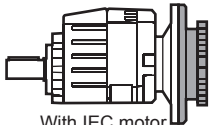
Mounting - Montaggio
Montage - Fixation
Tipo de montaje

P

402A

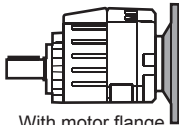
-F

Aluminum coaxial gear boxes
Riduttori coassiali in alluminio



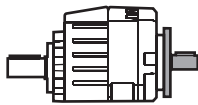
With IEC motor

M



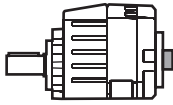
With motor flange

P



With male input shaft

R



Modular base

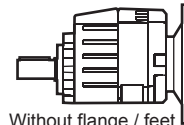
B

2 Stages
Riduzioni
Stufen
Trains
Etapas

3 Stages
Riduzioni
Stufen
Trains
Etapas

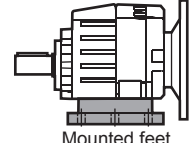
202A
302A
402A
452A
502A
602A

403A
503A
603A



Without flange / feet

-N

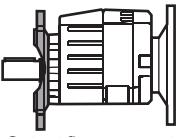


Mounted feet

B..

Feet / piedini		G	H	R	L	L1	S
Feet Code	Market reference						
B1	112	18	85	110	87	50	
B2	212/3	18	100	130	107.5		
S4	17	18	75	110	90+20		
S2	27	25	90	110	130		
M1	42/3	25	80	110+120	85		
L4	04	13	80	105			
L5	05	16	100	125			

You see feet code in the chart of the dimensions
Vedi codice piede nella tabella delle dimensioni

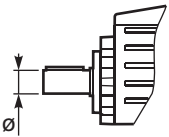
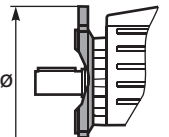
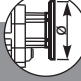

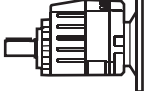
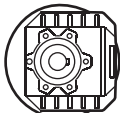
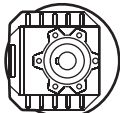
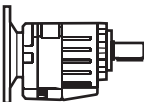
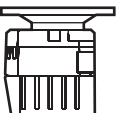

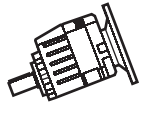

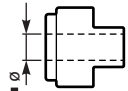
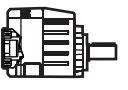






Output flange mounted

-F



On request we can deliver our products according to the ATEX
A richiesta possiamo fornire i nostri prodotti secondo le normative ATEX
Auf Anfrage können wir unsere Produkte den Richtlinien ATEX entsprechend liefern
Sur demande nos produits peuvent se conformer à la réglementation ATEX
A pedido, se pueden enviar nuestros productos de acuerdo con las normas ATEX.

Ratio - Rapporto Untersetzung Reduction Relación	Output shaft Albero uscita Abtriebswelle Arbre de sortie Eje en salida	Output flange Flangia uscita Ausgangsflansch Bride de sortie Brida en salida	Motor size - Grandezza motore Motor Grösse Motor Grösse Grandeur moteur - Tamaño motor	Mounting position Posizione montaggio Einbaulage Position de montage Position de montage	Input bore Foro entrata Eingangshohlwelle Trou d'entree Eje hueco de entrada	Terminal box position Posizione morsettiere Klemmkastenlage Position boîte à bornes Posición caja de bornes	
7.33	V	2	-C	B3	-		
See technical data table Vedi tabella dati tecnici Technisches Datenblatt beachten Voir Tableau données techniques Ver tabla datos técnicos	 → STANDARD 202A S ⇒ Ø14 B ⇒ Ø16 D ⇒ Ø20 V ⇒ Ø25 302A S ⇒ Ø14 B ⇒ Ø16 C ⇒ Ø19 D ⇒ Ø20 E ⇒ Ø24 V ⇒ Ø25 G ⇒ Ø28 402A 403A B ⇒ Ø16 C ⇒ Ø19 D ⇒ Ø20 E ⇒ Ø24 V ⇒ Ø25 452A 502A 503A E ⇒ Ø24 V ⇒ Ø25 G ⇒ Ø28 H ⇒ Ø30 I ⇒ Ø35 602A 603A G ⇒ Ø28 H ⇒ Ø30 I ⇒ Ø35 L ⇒ Ø38 M ⇒ Ø40	 N Senza flangia Without flange 202A 302A 1 ⇒ Ø120 2 ⇒ Ø140 3 ⇒ Ø160 4 ⇒ Ø200 402A 403A 1 ⇒ Ø120 2 ⇒ Ø140 3 ⇒ Ø160 4 ⇒ Ø200 5 ⇒ Ø250 452A 502A 503A 3 ⇒ Ø160 4 ⇒ Ø200 5 ⇒ Ø250 602A 603A 3 ⇒ Ø160 4 ⇒ Ø200 5 ⇒ Ø250	 Flange Flangia B5 -A =56 (Ø120) -B =63 (Ø140) -C =71 (Ø160) -D =80 (Ø200) -E =90 (Ø200) -F =100+112 (Ø250) -G =132 (Ø300) B14 -O =56 (Ø80) -P =63 (Ø90) -Q =71 (Ø105) -R =80 (Ø120) -T =90 (Ø140) -U =100+112 (Ø160) -V =132 (Ø200)	 Type R Tipo R 202A 403A -1 ⇒ Ø14 302A 402A 503A 603A -2 ⇒ Ø19 452A 502A 602A -3 ⇒ Ø24 Without flange Senza flangia -M ⇒ With coupling 202A 403A -Z ⇒ Ø9 (56B5) -0 ⇒ Ø11 (63B5) -1 ⇒ Ø14 (71B5) 302A 402A 503A 603A -1 ⇒ Ø14 (71B5) -2 ⇒ Ø19 (80B5) -3 ⇒ Ø24 (90B5) 452A 502A 602A -2 ⇒ Ø19 (80B5) -3 ⇒ Ø24 (90B5) -4 ⇒ Ø28 (100B5)	 B3 STANDARD  B6  B7  B8  V5  V6  V8	 - Nothing indication: standard bore Nessuna indicazione: foro standard COUPLING  A = 9mm B = 11mm C = 14mm D = 19mm E = 24mm F = 28mm 0 Ready for input coupling Predisposto per giunto 	With Type M specify terminal box position Con tipo M specificare posizione morsettiere  A  B STANDARD  C  D

POTENZA RICHIESTA / REQUIRED POWER / ERFORDERLICHE LEISTUNG / PUISSANCE NECESSAIRE / POTENCIA NECESARIA

Lifting / sollevamento / hubantriebe / levage / elevación

$$P \text{ [KW]} = \frac{M \text{ [Kg]} \cdot g \text{ [9.81]} \cdot v \text{ [m / s]}}{1000}$$

Rotation / rotazione / drehung / rotation / rotation

$$P \text{ [KW]} = \frac{M \text{ [Nm]} \cdot n \text{ [rpm]}}{9550}$$

Linear movement / traslazione / linearbewegung / translation / translacion

$$P \text{ [KW]} = \frac{F \text{ [N]} \cdot v \text{ [m / s]}}{1000}$$

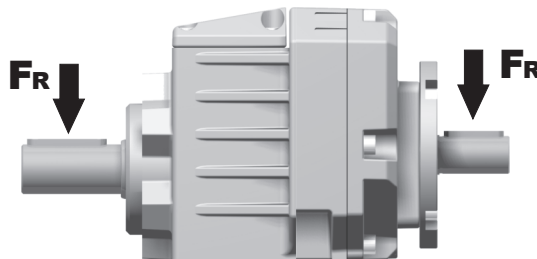
TORQUE / COPPIA / DREHMOMENT / COUPLE / PAR

$$M \text{ [Nm]} = \frac{9550 \cdot P \text{ [KW]}}{n \text{ [rpm]}}$$

$$M \text{ [lb in]} = \frac{63030 \cdot P \text{ [HP]}}{n \text{ [rpm]}}$$

RADIAL LOADS / CARICHI RADIALI / RADIALE - UND AXIALLASTEN / CHARGES RADIALES / CARGA RADIAL Y AXIAL

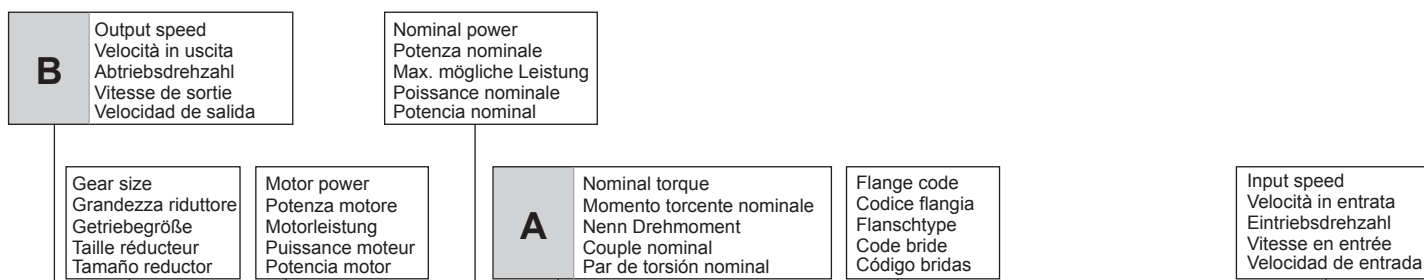
- Radial load generated by external transmissions keyed onto input and/or output shafts.
- Forza radiale generata da organi di trasmissione calettati sugli alberi di ingresso e/o uscita.
- Belastungen der Antriebs- bzw. Abtriebswellen durch von aussen eingebrachte Radiallasten.
- Charge radiale générée par la transmissions calés sur les entrées et / ou des arbres de sortie
- Cargas radiales, generada por transmisiones externas, aplicadas sobre los ejes de entrada y/o salida



	$F_R \text{ [N]} = \frac{M \text{ [Nm]} \cdot 2000}{d \text{ [mm]}} \cdot f_k$	$F_R \text{ [N]} = \frac{M \text{ [lb in]} \cdot 8.9}{d \text{ [in]}} \cdot f_k$
M	Momento torcente / Output torque / Abtriebsdrehmoment / Couple / Par torsion	
d	Diametro primitivo / Diam. of driving element / Durchmesser der Abtriebseinheit / Diamètre primitif / Diámetro primitivo	
f_k	Coefficiente di trasformazione / Factor / Faktor / Coefficient de transmission / Coeficiente de transmisión 1.15 Ingranaggi / Gearwheels / Zahnrad / Engrenage / Engranaje 1.25 Catena / Chain sprockets / Antriebskette / Chaîne / Cadena 1.75 Cinghia Trapezoidale / Narrow v-belt pulley / Keilriemen / Courroie trap. / Correa trapezoidal 2.50 Cinghia piatta / Flat-belt pulley / Flachzahnriem. / Courroie crantée / Correa plana	

- If your application requires higher radial loads, contact our technical office. Higher load may be possible.
- Nel caso la vostra applicazione richieda carichi radiali superiori consultare il nostro ufficio tecnico, valori maggiori possono essere accettati.
- Wenn Ihre Anwendung höhere Radialbelastungen erfordert, so wenden Sie sich bitte an unser technisches Büro.
- Si votre application demande des charges radiales supérieures, s'adresser à notre bureau technique.
- En el caso en que una aplicación exija una carga radial superior a la especificada en el catálogo, consultar a nuestra oficinas técnica.

How to select a gearbox / Come selezionare un riduttore / Wie wählt man ein Getriebe
Comment sélectionner un réducteur / Cómo seleccionar un reductor



402A

Coaxial - Gear
160Nm

Rating - Aluminum COAXIAL GEARBOXES



QUICK SELECTION / Selezione veloce

input speed (n_1) = 1400 min⁻¹

Output Speed n_2 [min ⁻¹]	Ratio i	Motor power P_{1M} [kW]	Output torque M_{2M} [Nm]	Service factor f.s.	Nominal power P_{1R} [kW]	Nominal torque M_{2R} [Nm]	Available B5 motor flanges				Available B14 motor flanges				Output Shaft		
							-B	-C	-D	-E	-Q	-R	-T	-U			Ratio code
398	3.52	3	69	1.2	3.5	80	B				C	C			2821		01
320	4.37	3	86	1.0	3.1	90	B				C	C			2818		02
252	5.55	3	109	0.9	2.8	100	B				C	C			2813		03
220	6.36	2.2	92	1.0	2.3	95	B				C	C			1921		04
191	7.33	2.2	106	1.1	2.5	120	B				C	C			2812		05

C Ratio
Rapporto
Untersetzung
Rapport de réduction
Relación

Output shaft diam.
Diam. albero uscita
Durchmesser abtriebswelle
Diametre arbre lent
Diametro eje de salida

Notes
Note
Anmerkungen
Note
Notas

Transmitted torque
Momento torcente trasmesso
Mögliche Drehmomente
Couple de sortie
Par transmitido

Service factor
Fattore di servizio
Betriebsfaktor
Facteur de service
Factor de servicio

Type of load and starts per hour Tipo di carico e avviamenti per ora		Oper. hours per day Ore di funz. giorn.		
		3 h	10 h	24 h
Continuous or intermittent appl. with start / hour Applicazione cont. o interm. con n.ro operazioni/ora	Uniform / Uniforme	0.8	1	1.25
	Moderate / Moderato	1	1.25	1.5
	Heavy / Forte	1.25	1.5	1.75
Intermittent application with start / hour Applicazione intermittente con n.ro operazioni/ora	Uniform / Uniforme	1	1.25	1.5
	Moderate / Moderato	1.25	1.5	1.75
	Heavy / Forte	1.5	1.75	2.15

D	Motor flange available Flange disponibili Erhältliche Motorflansche Brides disponibles Bridas disponibles	
B)	Mounting with reduction ring Montaggio con boccia di riduzione Reduzierhülsen Montage avec douille de réduction Montaje con casquillo de reducción	
C)	Motor flangeholes position/terminal box position Posizione fori flangia/basetta motore Bohrungsposition am Motorflansch/-socket Position trous bride/barrette à bornes moteur Posición agujeros brida / base motor	
B)	Available without reduction bushes Disponibile anche senza boccia Auch ohne Reduzierbuchse verfügbar Disponible aussi sans douille de réduction Disponible también sin casquillo	

A	Select required torque (according to service factor)	Seleziona la coppia desiderata (comprensiva del fattore di servizio)	Max. Drehmoment in Bezug zum Betriebsfaktor	Sélectionner le couple souhaité (comprenant le facteur de service)	Seleccionar el par deseado (incluyendo el factor de servicio)
B	Select output speed	Seleziona la velocità in uscita	Ausgewählte Abtriebsdrehzahl	Sélectionner la vitesse de sortie	Seleccionar la velocidad de salida
C	On the same line of selected geared motor, you can find the gear ratio	Sulla riga corrispondente alla motorizzazione prescelta si può rilevare il rapporto di riduzione	Auf der gleichen Linie wie die ausgewählte Motorleistung steht auch die Getriebeuntersetzung	Sur la ligne correspondante à la motorisation pré-choisie on peut relever le rapport de réduction	En la línea correspondiente al motor preseleccionado es posible encontrar la relación de reducción
D	Select motor flange available (if requested)	Scegli la flangia disponibile (se richiesta)	Erhältliche Motorflansche (auf Anfrage)	Choisir la bride disponible (si elle est demandée)	Seleccionar la brida disponible (sobre pedido)



QUICK SELECTION / Selezione veloce The dynamic efficiency is **0.96** for all ratios **input speed (n₁) = 1400 min⁻¹**

Output Speed n ₂ [min ⁻¹]	Ratio i	Motor power P _{1M} [kW]	Output torque M _{2M} [Nm]	Service factor f.s.	Nominal power P _{1R} [kW]	Nominal torque M _{2R} [Nm]	Available B5 motor flanges		Available B14 motor flanges			Output Shaft 	Ratios code
							-B	-C	-O	-P	-Q		
							63	71*	56	63	71		
407	3.44	0.55**	12	2.0	1.1	25			C	C		2821	01
327	4.28	0.55**	15	1.9	1.1	30			C	C		2818	02
257	5.45	0.55**	20	2.0	1.1	40			C	C		2815	03
225	6.23	0.55**	23	2.0	1.1	45			C	C		1921	04
194	7.20	0.55**	26	1.9	1.1	50			C	C		2812	05
181	7.74	0.55**	28	1.8	0.99	50			C	C		1918	06
142	9.85	0.55**	36	1.7	0.93	60			C	C		1915	07
123	11.42	0.55**	41	1.5	0.80	60			C	C		1715	08
107	13.03	0.55**	47	1.3	0.70	60			C	C		1912	09
93	15.10	0.37	37	1.6	0.61	60			C	C		1712	10
86	16.20	0.37	39	1.5	0.57	60			C	C		1910	11
75	18.78	0.37	45	1.3	0.49	60			C	C		1710	12
66	21.15	0.37	51	1.2	0.43	60			C	C		1312	13
64	21.84	0.37	53	1.1	0.42	60			C	C		1015	14
53	26.31	0.37	64	0.9	0.35	60			C	C		1310	15
48.5	28.88	0.37	70	1.0	0.37	70			C	C		1012	16
39	35.91	0.37	87	0.8	0.30	70			C	C		1010	17
37.1	37.69	0.25	62	1.1	0.28	70			C	C		912	18
29.9	46.87	0.25	77	0.9	0.23	70			C	C		910	19
28.1	49.76	0.25	81	0.9	0.21	70			C	C		712	20
22.6	61.89	0.18	77	0.9	0.17	70			C	C		710	21

** Concerning a reduced dimensions electric motor. * Nel montaggio P la flangia può superare l'ingombro massimo dei piedi. Eventualmente utilizzare la flangia B14 Riferito a motore con grandezza ridotta * In the P mounting the B5 motor flange can exceed the foot maximum dimensions. Possibly use the flange B14

A) Motor Flanges Available Flange Motore Disponibili **B) Supplied with Reduction Bushing** Fornito con Bussola di Riduzione **C) Available on Request without reduction bushing** Disponibile a Richiesta senza Bussola di Riduzione **D) Motor Flange Holes Position** Posizione Fori Flangia Motore

EN Unit **202A** is supplied with synthetic oil for lifetime lubrication, no maintenance is necessary. See table 1 for lubrication and recommended quantity. In table 2 please see possible radial loads and axial loads on the gearbox.

I Il riduttore **202A** viene fornito completo di olio sintetico per la lubrificazione permanente e non necessita di alcuna manutenzione. Vedi tab.1 per oli e quantità consigliati. In tab.2 sono presenti i carichi radiali e assiali applicabili al riduttore.

D Das Getriebe **202A** ist mit synthetischem Öl gefüllt und ist lebensdauergeschmiert. In Tabelle 1 ist die Schmiermenge und das empfohlene Schmiermittel angegeben. In Tabelle 2 sind die zulässigen Radial - und Axialbelastungen des Getriebes aufgeführt.

F Le réducteur **202A** est fourni complet avec de l'huile synthétique pour la lubrification permanente et ne nécessite aucun entretien. Voir tableau 1 concernant les huiles et les quantités conseillées. Les charges radiales et axiales applicables au réducteur sont précisées dans le tableau 2.

E El reductor tamaño **202A** se suministra, lubricado de por vida con aceite sintético y no requieren mantenimiento alguna. Ver tabla 1, para cantidades y aceites recomendados. En la tabla 2, se encuentran las cargas radiales y axiales admitidas por el reductor.

LUBRICATION 202A Oil Quantity 0.15 Lt.

AGIP Telium VSF 320 **SHELL** Omala S4 WE 320

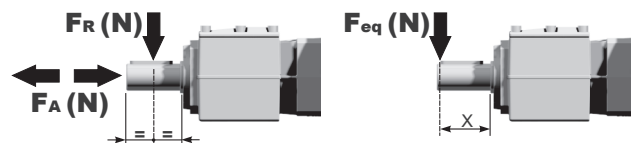
For all details on lubrication and plugs check our website **tab. 1**
Per maggiori dettagli su lubrificazione e tappi olio vedi il nostro sito web

RADIAL AND AXIAL LOADS

Output shaft

Albero di uscita

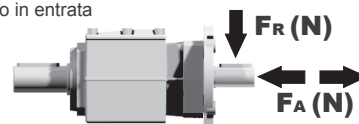
$$F_{eq} = FR \cdot \frac{35.7}{X+20.7}$$



n ₂	FA	FR	n ₂	FA	FR	n ₂	FA	FR
300	140	700	140	246	1320	70	340	1700
250	151	756	120	270	1350	40	380	1900
200	185	924	85	300	1500	15	-	-

Input shaft

Albero in entrata

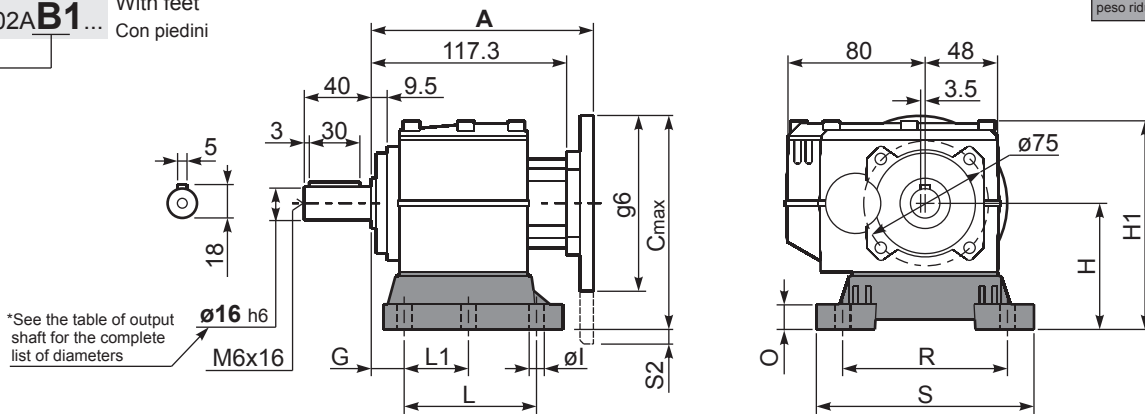


n ₁	FA	FR
1400	140	700
900	160	800
500	190	950

tab. 2

Gearbox weight With flange **3.3 kg**
peso riduttore With feet **3.7 Kg**

P202A-B1... With feet
Con piedini



*See the table of output shaft for the complete list of diameters
Ø16 h6
M6x16

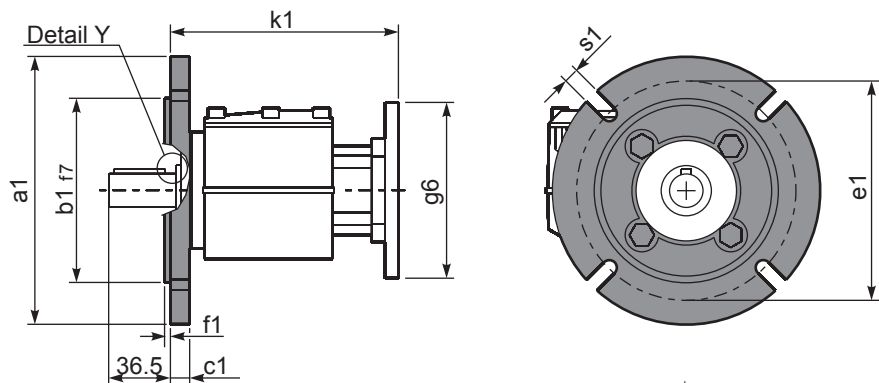
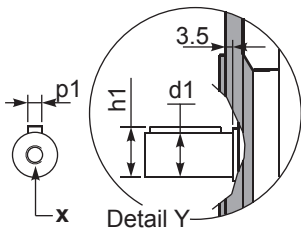
Feet Code	Market reference	G	H	R	L	L1	S	H1	O	Ø1	S2 only with motor flange	B5 max. Flange	kit code
B1	112	18	85	110	87	50	130	133	15	9	-	-	KC30.9.022
B2	212/3	18	100	130	107.5	60	155	145	5	11	-	-	KC30.9.023LM
S1	17-32	18	75	110	110	50	130	123	15	9	-	63B5	KC30.9.024

Other feet are available, see our web site
Sono disponibili altri piedini, consulta il nostro sito web

A see on page bottom

Most popular types
Tipi più diffusi

P202A-F... Output flanges
flange di uscita



*Available output shaft / Alberi di uscita

	Shaft - d1	p1	h1	x
Standard	Ø 16x40	5	18	M6x16
On request A richiesta	Ø 14x30	5	16	M6x16
	Ø 20x40	6	22.5	M8x19
	Ø 25x50	8	28	M8x19

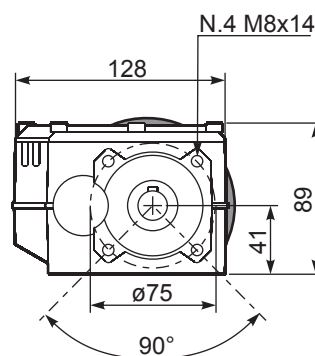
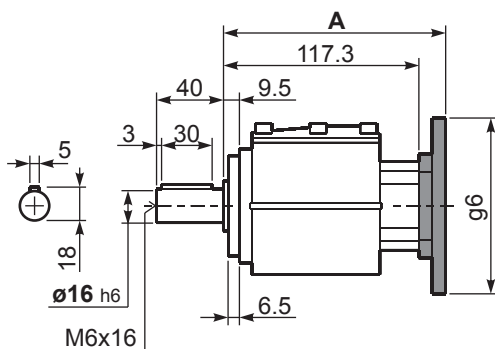
Available output flanges / flange di uscita

a1 Ø	b1	c1	e1	f1	s1	kit code
120	80	11.5	100	3	9*	KC30.9.010
140	95	11.5	115	3	9	KC30.9.011
160	110	11.5	130	3.5	9	KC30.9.012
200	130	11.5	165	3.5	11	KC30.9.013

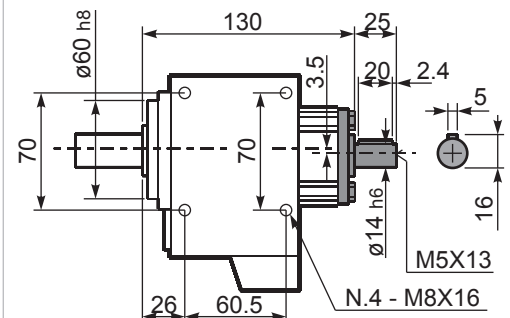
* Holes position
Posizione fori

With flange and feet only on request. Ask for compatibility

P202A-N... Basic gearbox
Riduttore base



R202A-N... Input Shaft
Albero in entrata



B5 Motor Flanges	A	C _{max}	g6	k1	kit code
63 B5	135.8	170	140	139.3	K050.4.041
71 B5	133.3	180	160	136.8	K050.4.042

B14 Motor Flanges	A	C _{max}	g6	k1	kit code
56 B14	133.3	139	80	136.8	KC40.4.049
63 B14	135.8	146	90	139.3	K050.4.047
71 B14	133.3	152.5	105	136.8	K050.4.045



QUICK SELECTION / Selezione veloce							input speed (n ₁) = 1400 min ⁻¹								
Output Speed n ₂ [min ⁻¹]	Ratio i	Motor power P _{1M} [kW]	Output torque M _{2M} [Nm]	Service factor f.s.	Nominal power P _{1R} [kW]	Nominal torque M _{2R} [Nm]	Available B5 motor flanges				Available B14 motor flanges			Output Shaft	Ratios code
							-B	-C	-D	-E	-Q	-R	-T		
							63	71*	80*	90*	71	80	90		
407	3.44	1.5	34	1.0	1.6	35	B				C	C		2821	01
327	4.28	1.5	42	1.0	1.4	40	B				C	C		2818	02
257	5.45	1.5	53	1.0	1.5	52	B				C	C		2815	03
225	6.23	1.5	61	1.1	1.7	70	B				C	C		1921	04
194	7.20	1.5	71	1.0	1.5	70	B				C	C		2812	05
181	7.74	1.5	76	1.1	1.6	80	B				C	C		1918	06
142	9.85	1.5	97	1.0	1.5	95	B				C	C		1915	07
123	11.42	1.5	112	1.0	1.5	115	B				C	C		1715	08
107	13.03	1.1	93	1.2	1.3	114	B				C	C		1912	09
93	15.10	1.1	108	1.1	1.2	114	B				C	C		1712	10
86	16.20	0.75	80	1.3	1.0	107	B				C	C		1910	11
75	18.78	0.75	92	1.2	0.87	107	B				C	C		1710	12
66	21.15	0.75	104	1.1	0.82	114	B				C	C		1312	13
64	21.84	0.75	107	1.1	0.83	119	B				C	C		1015	14
53	26.31	0.55	95	1.1	0.62	107	B				C	C		1310	15
48.5	28.88	0.55	105	1.1	0.60	114	B				C	C		1012	16
39	35.91	0.37	87	1.2	0.46	107	B				C	C		1010	17
37.1	37.69	0.37	91	1.1	0.41	102	B				C	C		912	18
29.9	46.87	0.37	113	0.9	0.35	107	B				C	C		910	19
28.1	49.76	0.25	81	1.2	0.31	101	B				C	C		712	20
22.6	61.89	0.25	101	1.1	0.26	107	B				C	C		710	21

The dynamic efficiency is **0.96** for all ratios

*Nel montaggio P la flangia può superare l'ingombro massimo dei piedi. Eventualmente utilizzare la flangia B14
* In the P mounting the B5 motor flange can exceed the foot maximum dimensions. Possibly use the flange B14

A) Motor Flanges Available
Flange Motore Disponibili

B) Supplied with Reduction Bushing
Fornito con Bussola di Riduzione

C) Available on Request without reduction bushing
Disponibile a Richiesta senza Bussola di Riduzione

D) Motor Flange Holes Position
Posizione Fori Flangia Motore

EN Unit **302A** is supplied with synthetic oil for lifetime lubrication, no maintenance is necessary. See table 1 for lubrication and recommended quantity. In table 2 please see possible radial loads and axial loads on the gearbox.

I Il riduttore **302A** viene fornito completo di olio sintetico per la lubrificazione permanente e non necessita di alcuna manutenzione. Vedi tab.1 per oli e quantità consigliati. In tab.2 sono presenti i carichi radiali e assiali applicabili al riduttore.

D Das Getriebe **302A** ist mit synthetischem Öl gefüllt und ist lebensdauergeschmiert. In Tabelle 1 ist die Schmiermenge und das empfohlene Schmiermittel angegeben. In Tabelle 2 sind die zulässigen Radial - und Axialbelastungen des Getriebes aufgeführt.

F Le réducteur **302A** est fourni complet avec de l'huile synthétique pour la lubrification permanente et ne nécessite aucun entretien. Voir tableau 1 concernant les huiles et les quantités conseillées. Les charges radiales et axiales applicables au réducteur sont précisées dans le tableau 2.

E El reductor tamaño **302A** se suministra, lubricado de por vida con aceite sintético y no requieren mantenimiento alguna. Ver tabla 1, para cantidades y aceites recomendados. En la tabla 2, se encuentran las cargas radiales y axiales admitidas por el reductor.

LUBRICATION 302A Oil Quantity 0.15 Lt.

AGIP Telium VSF 320

SHELL Omala S4 WE 320

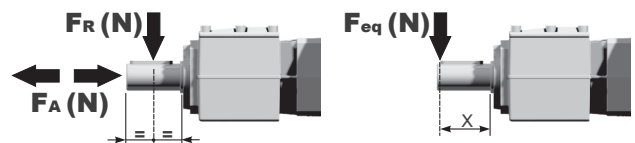
For all details on lubrication and plugs check our website **tab. 1**
Per maggiori dettagli su lubrificazione e tappi olio vedi il nostro sito web

RADIAL AND AXIAL LOADS

Output shaft

Albero di uscita

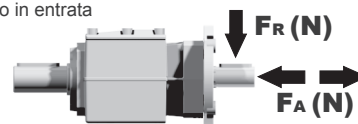
$$F_{eq} = F_R \cdot \frac{35.7}{X+20.7}$$



n ₂	FA	FR	n ₂	FA	FR	n ₂	FA	FR
300	140	700	140	246	1320	70	340	1700
250	151	756	120	270	1350	40	380	1900
200	185	924	85	300	1500	15	-	-

Input shaft

Albero in entrata



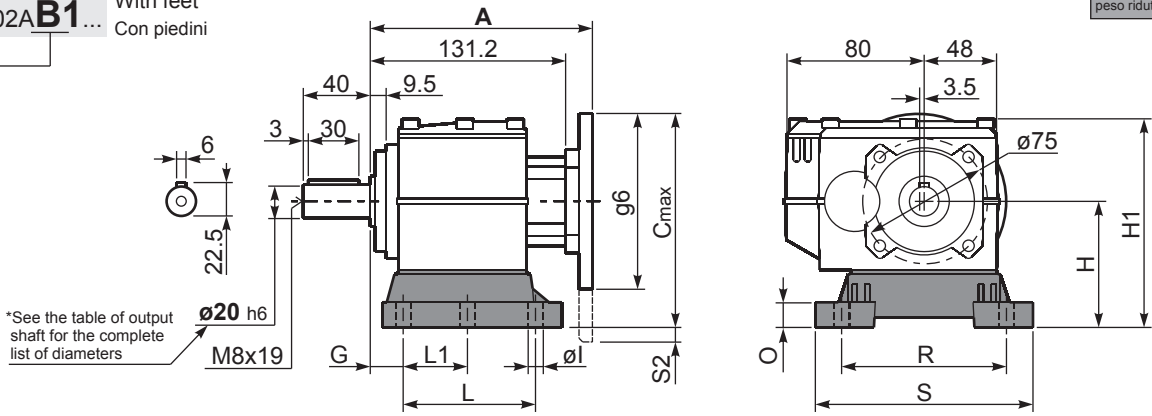
n ₁	FA	FR
1400	226	1130
900	264	1320
500	322	1610

tab. 2

Gearbox weight **3.5 kg**
 With flange
 peso riduttore **4.0 Kg**
 With feet

P302A-B1...

With feet
 Con piedini



*See the table of output shaft for the complete list of diameters

Feet Code	Market reference	G	H	R	L	L1	S	H1	O	1	S2 only with motor flange	B5 max. Flange	kit code
B1	112	18	85	110	87	50	130	133	15	9	15 80/90B5	-	KC30.9.022
B2	212/3	18	100	130	107.5	60	155	145	5	11	3.5 80/90B5	-	KC30.9.023LM
S1	17-32	18	75	110	110	50	130	123	15	9	5 71B5	71B5	KC30.9.024
S2	27	25	90	110	130	-	130	135	5	9	-	71B5	KC30.9.025LM

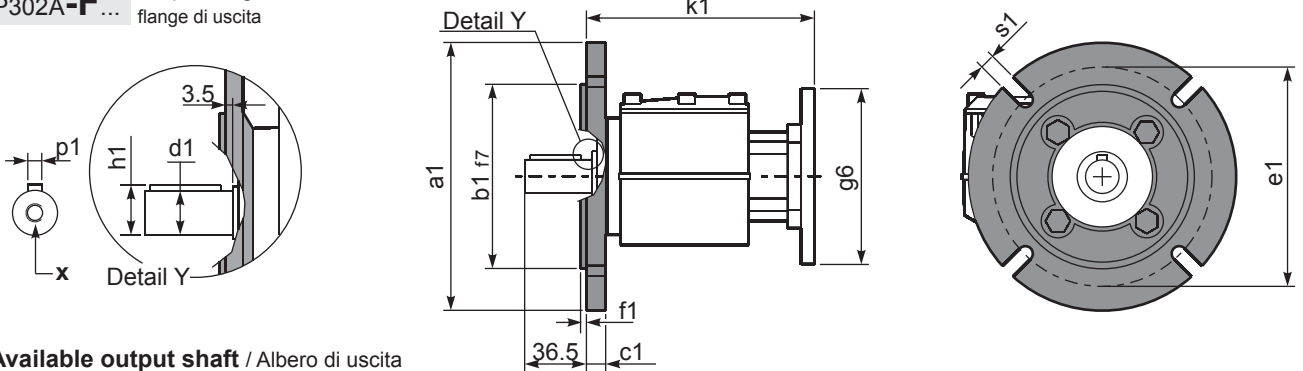
Other feet are available, see our web site
 Sono disponibili altri piedini, consulta il nostro sito web

A see on page bottom

Most popular types
 Tipi più diffusi

P302A-F...

Output flanges
 flange di uscita



*Available output shaft / Albero di uscita

	Shaft - d1	p1	h1	x
Standard	20x40	6	22.5	M8x19
On request A richiesta	14x30	5	16	M6x16
	16x40	5	18	M6x16
	19x40	6	21.5	M6x16
	24x50	8	27	M8x19
	25x50	8	28	M8x19
	28x50	8	31	M8x19

Available output flanges / flange di uscita

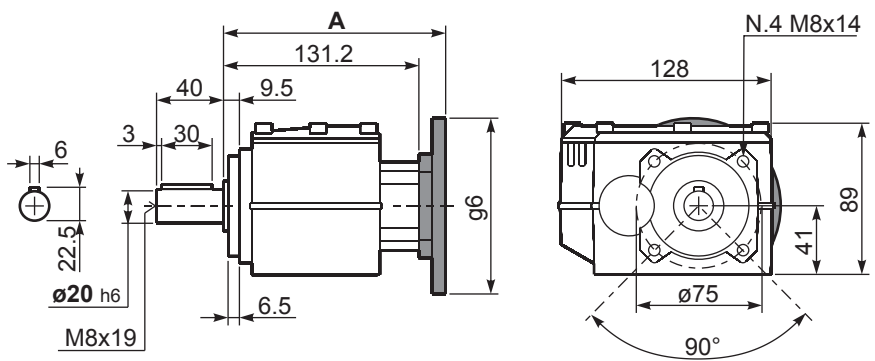
a1 1	b1	c1	e1	f1	s1	kit code
120	80	11.5	100	3	9*	KC30.9.010
140	95	11.5	115	3	9	KC30.9.011
160	110	11.5	130	3.5	9	KC30.9.012
200	130	11.5	165	3.5	11	KC30.9.013

* Holes position
 Posizione fori

With flange and feet only on request. Ask for compatibility

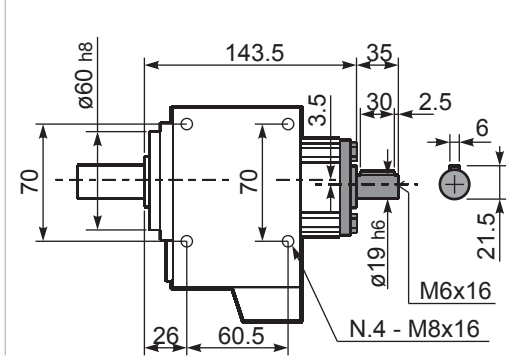
P302A-N...

Basic gearbox
 Riduttore base



R302A-N...

Input Shaft
 Albero in entrata



B5 Motor Flanges	A	C _{max}	g6	k1	kit code
63 B5	151.7	170	140	155.2	K063.4.041
71 B5	149.7	180	160	153.2	K063.4.042
80/90 B5	151.7	200	200	155.2	K063.4.043

B14 Motor Flanges	A	C _{max}	g6	k1	kit code
71 B14	149.7	152.5	105	153.2	K063.4.047
80 B14	151.7	160	120	155.2	K063.4.046
90 B14	151.7	170	140	155.2	K063.4.041



QUICK SELECTION / Selezione veloce

input speed (n₁) = 1400 min⁻¹

Output Speed n ₂ [min ⁻¹]	Ratio i	Motor power P _{1M} [kW]	Output torque M _{2M} [Nm]	Service factor f.s.	Nominal power P _{1R} [kW]	Nominal torque M _{2R} [Nm]	Available B5 motor flanges					Available B14 motor flanges				Output Shaft		
							-B	-C	-D	-E	-F	-Q	-R	-T	-U			Ratios code
							63	71	80*	90*	100*	71	80	90	100	112		
398	3.52	3	68	1.2	3.5	80	B					C	C			2821		01
321	4.37	3	84	1.1	3.1	90	B					C	C			2818		02
252	5.56	3	107	0.9	2.7	100	B					C	C			2813		03
220	6.36	2.2	90	1.1	2.3	95	B					C	C			1921		04
191	7.33	2.2	104	1.2	2.5	120	B					C	C			2812		05
177	7.89	2.2	112	1.1	2.3	120	B					C	C			1918		06
139	10.06	2.2	143	1.0	2.3	150	B					C	C			1913		08
120	11.66	1.5	114	1.5	2.3	174	B					C	C			1713	standard	09
106	13.26	1.5	130	1.2	1.8	160	B					C	C			1912	ø25	10
102	13.68	1.5	134	1.1	1.6	144	B					C	C			1513		25
91	15.37	1.5	151	1.1	1.6	160	B					C	C			1712	ø16	11
86	16.20	1.5	159	0.9	1.3	138	B					C	C			1910	ø19	12
78	18.04	1.5	177	0.9	1.4	160	B					C	C			1512	ø20	23
75	18.78	1.1	134	1.0	1.1	138	B					C	C			1710	ø24	24
65	21.54	1.1	154	1.0	1.1	160	B					C	C			1312	On request	14
63	22.29	1.1	160	1.0	1.1	167	B					C	C			1013		15
53	26.31	0.75	129	1.1	0.80	138	B					C	C			1310		16
47.6	29.40	0.75	144	1.1	0.83	160	B					C	C			1012		17
39	35.91	0.55	130	1.1	0.59	138	B					C	C			1010		18
36.5	38.37	0.55	139	1.2	0.64	160	B					C	C			912		19
29.9	46.87	0.55	170	0.8	0.45	138	B					C	C			910		20
27.6	50.67	0.37	123	1.1	0.40	132	B					C	C			712		21
22.6	61.89	0.37	150	0.9	0.34	138	B					C	C			710		22

The dynamic efficiency is **0.96** for all ratios

*Nel montaggio P la flangia può superare l'ingombro massimo dei piedi. Eventualmente utilizzare la flangia B14
* In the P mounting the B5 motor flange can exceed the foot maximum dimensions. Possibly use the flange B14

A Motor Flanges Available
Flange Motore Disponibili

B Supplied with Reduction Bushing
Fornito con Bussola di Riduzione

C Available on Request without reduction bushing
Disponibile a Richiesta senza Bussola di Riduzione

D Motor Flange Holes Position
Posizione Fori Flangia Motore

EN Unit **402A** is supplied with synthetic oil for lifetime lubrication, no maintenance is necessary. See table 1 for lubrication and recommended quantity. In table 2 please see possible radial loads and axial loads on the gearbox.

I Il riduttore **402A** viene fornito completo di olio sintetico per la lubrificazione permanente e non necessita di alcuna manutenzione. Vedi tab.1 per oli e quantità consigliati. In tab.2 sono presenti i carichi radiali e assiali applicabili al riduttore.

D Das Getriebe **402A** ist mit synthetischem Öl gefüllt und ist lebensdauergeschmiert. In Tabelle 1 ist die Schmiermenge und das empfohlene Schmiermittel angegeben. In Tabelle 2 sind die zulässigen Radial - und Axialbelastungen des Getriebes aufgeführt.

F Le réducteur **402A** est fourni complet avec de l'huile synthétique pour la lubrification permanente et ne nécessite aucun entretien. Voir tableau 1 concernant les huiles et les quantités conseillées. Les charges radiales et axiales applicables au réducteur sont précisées dans le tableau 2.

E El reductor tamaño **402A** se suministra, lubricado de por vida con aceite sintético y no requieren mantenimiento alguna. Ver tabla 1, para cantidades y aceites recomendados. En la tabla 2, se encuentran las cargas radiales y axiales admitidas por el reductor.

Standard supplied	For these mounting position specify in the order or add oil Per queste posizioni specificare in fase d'ordine o aggiungere olio					
B3	B6	B7	B8	V5	V6	V8
0.25 LT	0.30 LT	0.40 LT	0.40 LT	0.40 LT	0.50 LT	Ask
AGIP Telium VSF 320			SHELL Omala S4 WE 320			

For all details on lubrication and plugs check our website **tab. 1**
Per maggiori dettagli su lubrificazione e tappi olio vedi il nostro sito web

RADIAL AND AXIAL LOADS

Output shaft
Albero di uscita

$F_{eq} = F_R \cdot \frac{46}{X+21}$

Input shaft
Albero di entrata

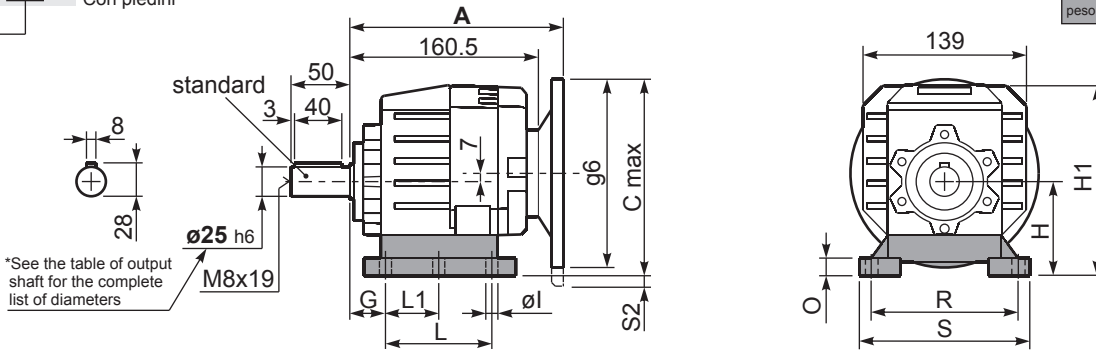
n ₂	FA	FR	n ₂	FA	FR	n ₂	FA	FR
300	310	1550	140	406	2030	70	540	2700
250	330	1650	120	448	2240	40	600	3000
200	360	1800	85	480	2400	15	600	3000

n ₁	FA	FR
1400	240	1200
900	280	1400
500	340	1700

tab. 2

P402A**B1** ... With feet
Con piedini

Gearbox weight **5.7 kg**
peso riduttore With flange
With feet **5.9 Kg**



Feet / piedini

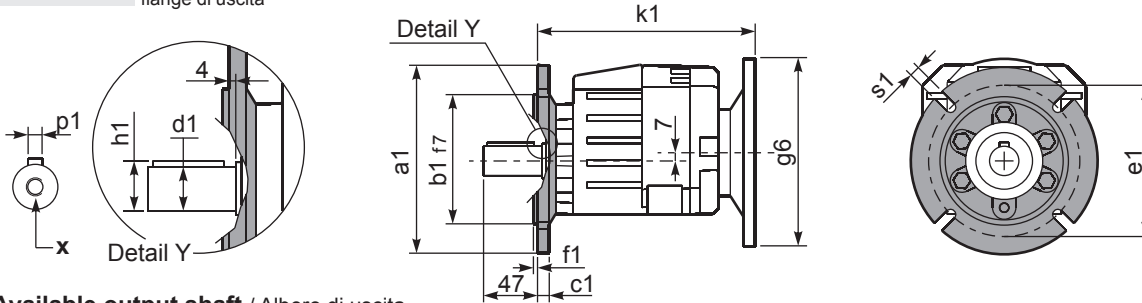
Feet Code	Market reference	G	H	R	L	L1	S	H1	O	øl	S2 only with motor flange	B5 max. Flange	kit code
B1	112	18	85	110	87	50	130	167	15	-	8/33 80/90B5 100/112B5	-	KC35.9.021
B2	212/3	18	100	130	107.5	60	155	182	17	11	18 100/112B5	-	KC40.9.025
S1	17	18	75	110	90÷110	50	145	155	15	9	18/43 80/90B5 100/112B5	-	KC40.9.022
S2	27	25	90	110	130	-	145	172	20	9	3/28 80/90B5 100/112B5	-	KC40.9.024
H2	022-223	25	100	110	115	-	145	182	20	9	18 100/112B5	-	KC40.9.026
M1	42/3	25	80	110÷120	85	-	145	162	15	9	13/38 80/90B5 100/112B5	-	KC40.9.023
H1	020-221	18	80	110	90	-	135	162	14	9	13 80/90B5	-	KC35.9.022

Other feet are available, see our web site
Sono disponibili altri piedini, consulta il nostro sito web

A see on page bottom

Most popular types
Tipi più diffusi

P402A-**F** ... Output flanges
flange di uscita



***Available output shaft / Albero di uscita**

	Shaft - d1	p1	h1	x
Standard	ø 25x50	8	28	M8x19
On request A richiesta	ø 16x40	5	18	M6x16
	ø 19x40	6	21.5	M6x16
	ø 20x40	6	22.5	M8x19
	ø 24x50	8	27	M8x19

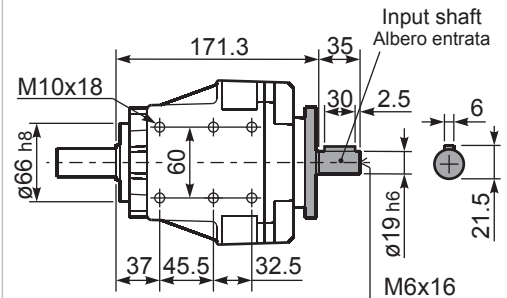
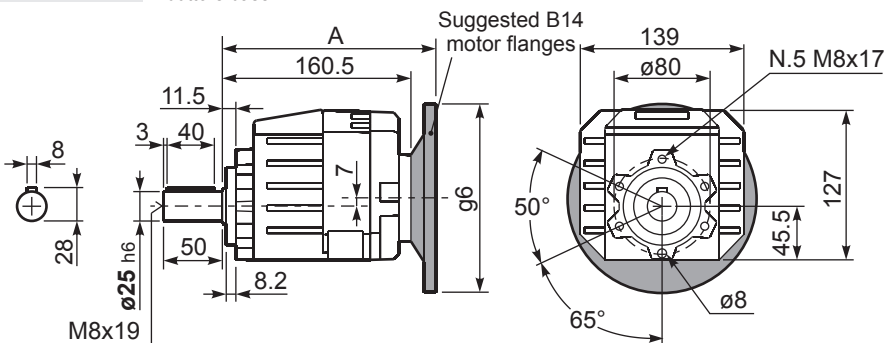
Available output flanges / flange di uscita

a1 ø	b1	c1	e1	f1	s1	kit code
120	80	10	100	3	7	KC40.9.010
140	95	10	115	3	9	KC40.9.011
160	110	10	130	3.5	9	KC40.9.012
200	130	11	165	3.5	11	KC40.9.013
250	180	11.5	215	3.5	14	KC40.9.014

With flange and feet only on request. Ask for compatibility

P402A-**N** ... Basic gearbox
Riduttore base

R402A-N ... Input Shaft
Albero in entrata



B5 Motor Flanges	A	C _{max}	g6	k1	kit code
63 B5	181	177	140	185	K063.4.041
71 B5	179	187	160	183	K063.4.042
80/90 B5	181	207	200	185	K063.4.043
100/112 B5	195.8	232	250	199.8	KC40.4.043

B14 Motor Flanges	A	C _{max}	g6	k1	kit code
71 B14	179	159.5	105	183	K063.4.047
80 B14	181	167	120	185	K063.4.046
90 B14	181	177	140	185	K063.4.041
100/112 B14	195.8	187	160	199.8	KC40.4.041



QUICK SELECTION / Selezione veloce

input speed (n₁) = 1400 min⁻¹

Output Speed n ₂ [min ⁻¹]	Ratio i	Motor power P _{1M} [kW]	Output torque M _{2M} [Nm]	Service factor f.s.	Nominal power P _{1R} [kW]	Nominal torque M _{2R} [Nm]	Available B5 motor flanges		Available B14 motor flanges			Output Shaft \varnothing	Ratios code
							-B	-C	-O	-P	-Q		
							63	71	56	63	71		
36.5	38.40	0.37	91	1.9	0.71	175			C	C		171713	02
32.0	43.69	0.37	104	1.4	0.53	149			C	C		191712	03
27.6	50.64	0.37	120	1.3	0.49	160			C	C		171712	04
26.2	53.36	0.37	127	1.1	0.40	138			C	C		191710	05
22.9	61.21	0.37	145	1.1	0.41	160			C	C		191312	06
22.6	61.85	0.37	147	0.9	0.35	138			C	C		171710	07
19.7	70.95	0.37	168	1.0	0.35	160			C	C		131712	08
19.1	73.43	0.37	174	1.0	0.37	175			C	C		101713	09
18.7	74.77	0.25	120	1.2	0.29	138			C	C		191310	10
16.2	86.66	0.25	139	1.0	0.25	138			C	C		131710	11
14.5	96.85	0.25	155	1.0	0.26	160			C	C		101712	12
13.6	102.89	0.25	165	1.1	0.27	180			C	C		101313	13
11.1	126.40	0.18	155	1.0	0.20	160			C	C		91712	17
10.3	135.69	0.18	166	1.0	0.18	160			C	C		101312	15
8.4	165.74	0.12	131	1.1	0.13	138			C	C		101310	16
7.9	177.09	0.12	140	1.1	0.14	160			C	C		91312	18
6.5	216.31	0.09	136	1.0	0.10	138			C	C		91310	19

The dynamic efficiency is **0.94** for all ratios

Motor Flanges Available
Flange Motore Disponibili

B) Supplied with Reduction Bushing
Fornito con Bussola di Riduzione

B) Available on Request without reduction bushing
Disponibile a Richiesta senza Bussola di Riduzione



C) Motor Flange Holes Position
Posizione Fori Flangia Motore

EN Unit **403A** is supplied with synthetic oil for lifetime lubrication, no maintenance is necessary. See table 1 for lubrication and recommended quantity. In table 2 please see possible radial loads and axial loads on the gearbox.

I Il riduttore **403A** viene fornito completo di olio sintetico per la lubrificazione permanente e non necessita di alcuna manutenzione. Vedi tab.1 per oli e quantità consigliati. In tab.2 sono presenti i carichi radiali e assiali applicabili al riduttore.

D Das Getriebe **403A** ist mit synthetischem Öl gefüllt und ist lebensdauergeschmiert. In Tabelle 1 ist die Schmiermenge und das empfohlene Schmiermittel angegeben. In Tabelle 2 sind die zulässigen Radial - und Axialbelastungen des Getriebes aufgeführt.

F Le réducteur **403A** est fourni complet avec de l'huile synthétique pour la lubrification permanente et ne nécessite aucun entretien. Voir tableau 1 concernant les huiles et les quantités conseillées. Les charges radiales et axiales applicables au réducteur sont précisées dans le tableau 2.

E El reductor tamaño **403A** se suministra, lubricado de por vida con aceite sintético y no requieren mantenimiento alguna. Ver tabla 1, para cantidades y aceites recomendados. En la tabla 2, se encuentran las cargas radiales y axiales admitidas por el reductor.

Standard supplied	For these mounting position specify in the order or add oil Per queste posizioni specificare in fase d'ordine o aggiungere olio					
0.30 LT	0.35 LT	0.45 LT	0.45 LT	0.45 LT	0.55 LT	Ask
AGIP Telium VSF 320			SHELL Omala S4 WE 320			

For all details on lubrication and plugs check our website **tab. 1**
Per maggiori dettagli su lubrificazione e tappi olio vedi il nostro sito web

RADIAL AND AXIAL LOADS

Output shaft
Albero di uscita

$F_R (N)$
 $F_A (N)$

$F_{eq} = F_R \cdot \frac{46}{X+21}$

$F_{eq} (N)$

n ₂	FA	FR	n ₂	FA	FR	n ₂	FA	FR
300	310	1550	140	406	2030	70	540	2700
250	330	1650	120	448	2240	40	600	3000
200	360	1800	85	480	2400	15	600	3000

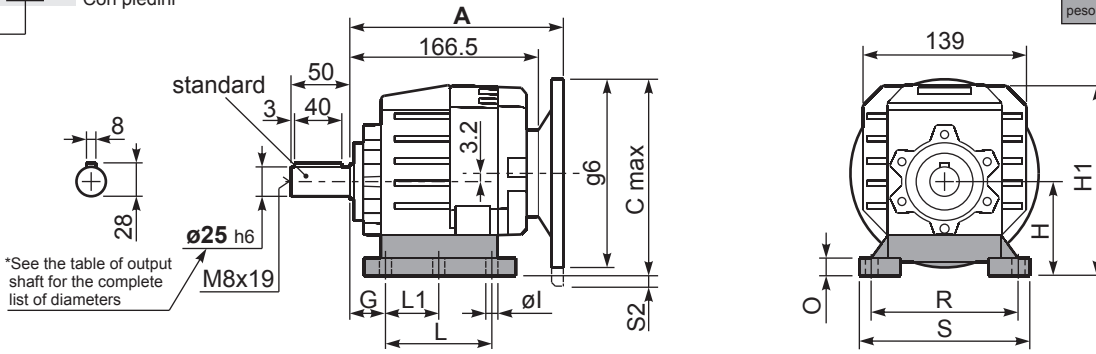
Input shaft
Albero di entrata

n ₁	FA	FR
1400	140	700
900	160	800
500	190	950

tab. 2

P403A **B1** ... With feet
Con piedini

Gearbox weight With flange **6.1 kg**
peso riduttore With feet **6.3 Kg**



Feet / piedini

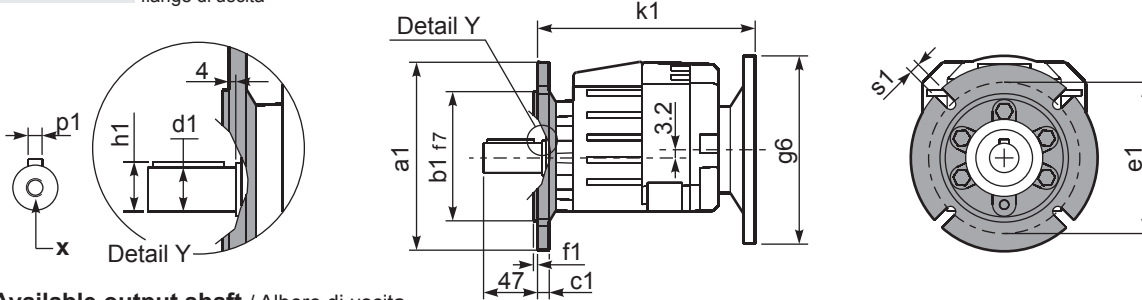
Feet Code	Market reference	G	H	R	L	L1	S	H1	O	øl	S2 only with motor flange	B5 max. Flange	kit code
B1	112	18	85	110	87	50	130	167	15	-	-	-	KC35.9.021
B2	212/3	18	100	130	107.5	60	155	182	17	11	-	-	KC40.9.025
S1	17	18	75	110	90÷110	50	145	155	15	9	2 80/90B5	-	KC40.9.022
S2	27	25	90	110	130	-	145	172	20	9	-	-	KC40.9.024
H2	022-223	25	100	110	115	-	145	182	20	9	-	-	KC40.9.026
M1	42/3	25	80	110÷120	85	-	145	162	15	9	-	-	KC40.9.023
H1	020-221	18	80	110	90	-	135	162	14	9	13 80/90B5	-	KC35.9.022

Other feet are available, see our web site
Sono disponibili altri piedini, consulta il nostro sito web

A see on page bottom

Most popular types
Tipi più diffusi

P403A **-F** ... Output flanges
flange di uscita



***Available output shaft / Albero di uscita**

	Shaft - d1	p1	h1	x
Standard	ø 25x50	8	28	M8x19
On request A richiesta	ø 16x40	5	18	M6x16
	ø 19x40	6	21.5	M6x16
	ø 20x40	6	22.5	M8x19
	ø 24x50	8	27	M8x19

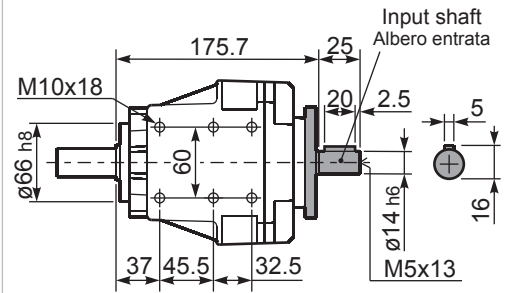
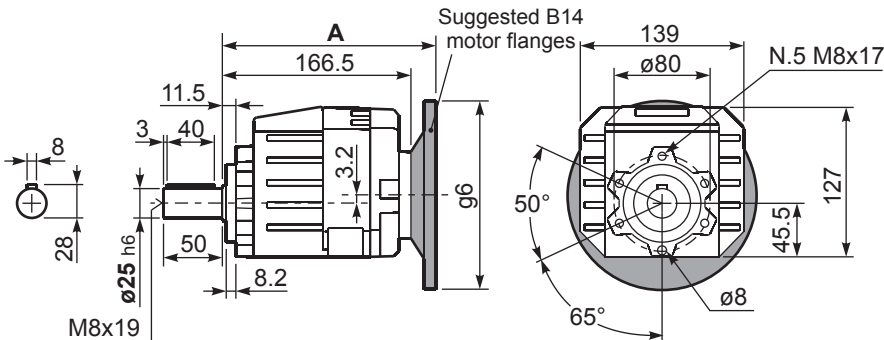
Available output flanges / flange di uscita

a1 ø	b1	c1	e1	f1	s1	kit code
120	80	10	100	3	7	KC40.9.010
140	95	10	115	3	9	KC40.9.011
160	110	10	130	3.5	9	KC40.9.012
200	130	11	165	3.5	11	KC40.9.013
250	180	11.5	215	3.5	14	KC40.9.014

With flange and feet only on request. Ask for compatibility

P403A **-N** ... Basic gearbox
Riduttore base

R403A-N ... Input Shaft
Albero in entrata



B5 Motor Flanges	A	C _{max}	g6	k1	kit code
63 B5	185	173.2	140	189	K050.4.041
71 B5	182.5	183.2	160	186.5	K050.4.042

B14 Motor Flanges	A	C _{max}	g6	k1	kit code
56 B14	182.5	143.2	80	186.5	KC40.4.049
63 B14	185	148.2	90	189	K050.4.047
71 B14	182.5	155.7	105	186.5	K050.4.045



QUICK SELECTION / Selezione veloce

input speed (n_1) = 1400 min⁻¹

Output Speed n_2 [min ⁻¹]	Ratio i	Motor power P_{1M} [kW]	Output torque M_{2M} [Nm]	Service factor f.s.	Nominal power P_{1R} [kW]	Nominal torque M_{2R} [Nm]	Available B5 motor flanges					Available B14 motor flanges				Output Shaft 	Ratios code
							-C	-D	-E	-F	-G	-R	-T	-U	-V		
							71	80	90	100* 112	132*	80	90	100 112	132		
388	3.61	4	93	1.6	6.3	150	B									3018	01
331	4.23	4	108	1.6	6.1	170	B									3016	02
279	5.01	4	129	1.6	6.1	200	B									3014	03
231	6.07	4	156	1.6	6.3	250	B									3012	04
206	6.81	4	175	1.6	6.2	277	B									2018	05
176	7.96	4	204	1.5	5.8	300	B									2016	06
148	9.45	4	242	1.3	4.9	304	B									2014	07
122	11.43	4	293	1.0	4.0	300	B									2012	08
99	14.21	3	274	1.0	2.8	265	B									2010	09
84	16.62	3	321	0.9	2.8	304	B									1314	10
70	20.10	2.2	286	1.0	2.3	300	B									1312	11
56	24.98	1.85	302	0.9	1.6	265	B									1310	12
47.6	29.41	1.5	288	1.1	1.6	304	B									814	13
39.3	35.58	1.5	349	0.9	1.3	300	B									812	14
34.6	40.50	1.1	290	1.0	1.1	290	B									614	15
31.7	44.23	1.1	316	0.8	0.92	265	B									810	16
28.6	49.00	0.75	240	1.2	0.93	300	B									612	17
23.0	60.90	0.75	299	0.9	0.66	265	B									610	18

The dynamic efficiency is **0.96** for all ratios

*Nel montaggio P la flangia può superare l'ingombro massimo dei piedi. Eventualmente utilizzare la flangia B14
* In the P mounting the B5 motor flange can exceed the foot maximum dimensions. Possibly use the flange B14

Motor Flanges Available
Flange Motore Disponibili

B) Supplied with Reduction Bushing
Fornito con Bussola di Riduzione

B) Available on Request without reduction bushing
Disponibile a Richiesta senza Bussola di Riduzione

C) Motor Flange Holes Position
Posizione Fori Flangia Motore

EN Unit **452A** is supplied with synthetic oil for lifetime lubrication, no maintenance is necessary. See table 1 for lubrication and recommended quantity. In table 2 please see possible radial loads and axial loads on the gearbox.

I Il riduttore **452A** viene fornito completo di olio sintetico per la lubrificazione permanente e non necessita di alcuna manutenzione. Vedi tab.1 per oli e quantità consigliati. In tab.2 sono presenti i carichi radiali e assiali applicabili al riduttore.

D Das Getriebe **452A** ist mit synthetischem Öl gefüllt und ist lebensdauergeschmiert. In Tabelle 1 ist die Schmiermenge und das empfohlene Schmiermittel angegeben. In Tabelle 2 sind die zulässigen Radial- und Axialbelastungen des Getriebes aufgeführt.

F Le réducteur **452A** est fourni complet avec de l'huile synthétique pour la lubrification permanente et ne nécessite aucun entretien. Voir tableau 1 concernant les huiles et les quantités conseillées. Les charges radiales et axiales applicables au réducteur sont précisées dans le tableau 2.

E El reductor tamaño **452A** se suministra, lubricado de por vida con aceite sintético y no requieren mantenimiento alguna. Ver tabla 1, para cantidades y aceites recomendados. En la tabla 2, se encuentran las cargas radiales y axiales admitidas por el reductor.

Standard supplied	For these mounting position specify in the order or add oil Per queste posizioni specificare in fase d'ordine o aggiungere olio					
0.31 LT	0.31 LT	0.31 LT	0.31 LT	0.31 LT	0.31 LT	Ask
AGIP Telium VSF 320			SHELL Omala S4 WE 320			

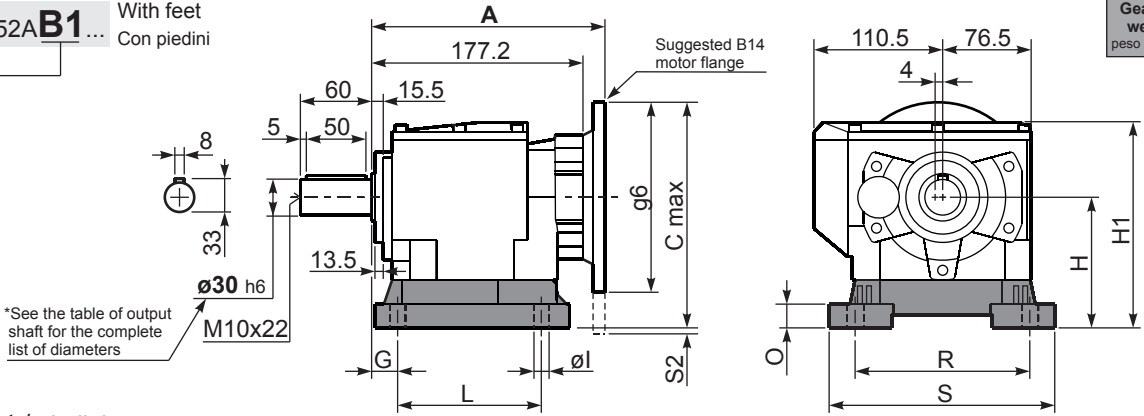
For all details on lubrication and plugs check our website **tab. 1**
Per maggiori dettagli su lubrificazione e tappi olio vedi il nostro sito web

RADIAL AND AXIAL LOADS								
Output shaft / Albero di uscita								
						$F_{eq} = F_R \cdot \frac{51}{X+21}$		
n_2	FA	FR	n_2	FA	FR	n_2	FA	FR
300	415	2070	140	540	2700	70	700	3510
250	430	2160	120	560	2790	40	810	4050
200	470	2340	85	630	3150	15	900	4500
Input shaft / Albero in entrata								
n_1	FA	FR						
1400	400	2000						
900	440	2200						
500	440	2200						

tab. 2

P452A **B1** ...
With feet
Con piedini

Gearbox weight With flange **8.7 kg**
peso riduttore With feet **8.9 Kg**



*See the table of output shaft for the complete list of diameters

Feet / piedini

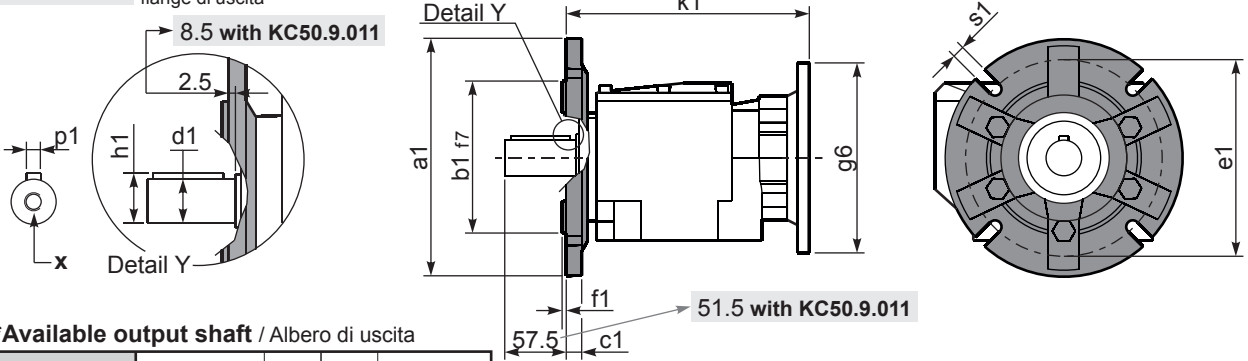
Feet Code	Market reference	G	H	R	L	S	H1	O	Øl	S2 only with motor flange	B5 max. Flange	kit code
B3	312/3	18	110	160	130	190	173	20	11	15 100/112B5 40 132B5	-	KC50.9.024
B4	30/35	20	130	180	149.5	216	193	18	14	20 132B5	-	KC60.9.024
S4	47-57	30	115	135	165	170	178	24	13.5	-	80/90B5	KC50.9.022
H3	023-233	30	130	135	135	185	193	25	14	20 132B5	-	KC50.9.025
M2	52/3	30	110	135+150	100	190	173	18	11	15 100/112B5 40 132B5	-	KC50.9.023
L6	06	19	125	160	106	205	188	8	14	25 132B5	-	KC50.9.026LM
E2	2202/3	13	100	135	192	164	163	6	14	-	71B5	KC50.9.027LM

Other feet are available, see our web site
Sono disponibili altri piedini, consulta il nostro sito web

A see on page bottom

Most popular types
Tipi più diffusi

P452A-**F** ...
Output flanges
flange di uscita



*Available output shaft / Alberi di uscita

	Shaft - d1	p1	h1	x
Standard	Ø 30x60	8	33	M10x22
On request A richiesta	Ø 24x50	8	27	M8x19
	Ø 25x50	8	28	M8x19
	Ø 28x60	8	31	M8x19
	Ø 35x60	10	38	M10x22

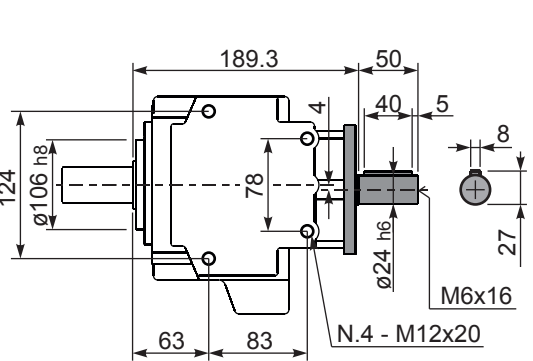
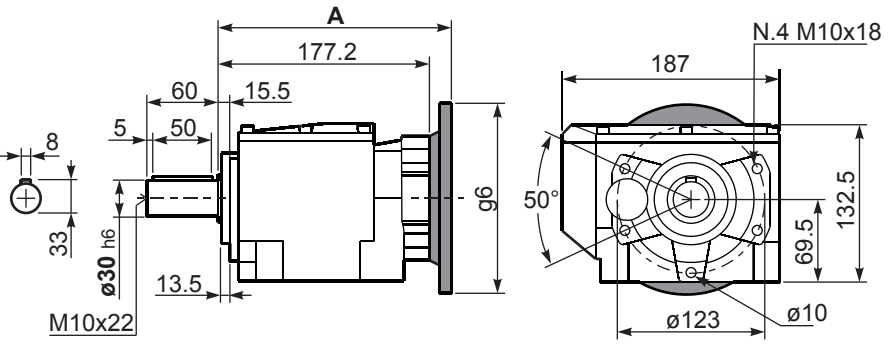
Available output flanges / flange di uscita

a1 Ø	b1	c1	e1	f1	s1	kit code
160	110	14	130	3.5	11	KC50.9.011
200	130	13	165	3.5	11	KC50.9.012
250	180	15.5	215	4	14	KC50.9.013

With flange and feet only on request. Ask for compatibility

P452A-**N** ...
Basic gearbox
Riduttore base

R452A-**N** ...
Input Shaft
Albero in entrata



B5 Motor Flanges	A	C _{max}	g6	k1	kit code	k1 with KC50.9.011	B14 Motor Flanges	A	C _{max}	g6	k1	kit code	k1 with KC50.9.011
71 B5	195.7	222	160	198.2	K023.4.041	204.2	80 B14	197.7	202	120	200.2	K085.4.046	206.2
80/90 B5	197.7	242	200	200.2	K023.4.042	206.2	90 B14	197.7	212	140	200.2	K085.4.045	206.2
100/112 B5	206.7	267	250	209.2	K023.4.043	215.2	100/112 B14	206.7	222	160	209.2	K085.4.047	215.2
132 B5	224.7	292	300	227.2	KC50.4.043	233.2	132 B14	224.7	242	200	227.2	KC50.4.041	233.2



QUICK SELECTION / Selezione veloce

input speed (n₁) = 1400 min⁻¹

Output Speed n ₂ [min ⁻¹]	Ratio i	Motor power P _{1M} [kW]	Output torque M _{2M} [Nm]	Service factor f.s.	Nominal power P _{1R} [kW]	Nominal torque M _{2R} [Nm]	Available B5 motor flanges					Available B14 motor flanges				Output Shaft Ø	Ratios code
							-C	-D	-E	-F	-G	-R	-T	-U	-V		
							71	80	90	100* 112	132*	80	90	100 112	132		
388	3.61	5.5	127	1.2	6.3	150	B									3018	01
331	4.23	5.5	148	1.1	6.1	170	B									3016	02
279	5.01	5.5	176	1.1	6.1	200	B									3014	03
231	6.07	5.5	213	1.2	6.3	250	B									3012	04
206	6.81	5.5	239	1.3	6.7	300	B									2018	05
176	7.96	5.5	279	1.2	6.3	330	B									2016	07
148	9.45	5.5	331	1.1	5.7	354	B									2014	08
122	11.43	4	293	1.1	4.4	326	B									2012	09
99	14.21	3	274	0.9	2.7	250	B									2010	10
84	16.62	3	321	1.1	3.3	354	B									1314	11
70	20.10	2.2	286	1.1	2.5	326	B									1312	12
57	24.61	2.2	350	0.9	2.0	326	B									1112	20
56	24.98	1.5	245	1.0	1.5	250	B									1310	13
47.6	29.41	1.5	288	1.2	1.8	354	B									814	14
39.3	35.58	1.5	349	0.9	1.4	326	B									812	15
34.6	40.50	1.1	290	1.0	1.1	295	B									614	16
31.7	44.23	1.1	316	0.8	0.86	250	B									810	17
28.6	49.00	1.1	351	0.9	1.0	326	B									612	18
23.0	60.90	0.75	299	0.8	0.63	250	B									610	19

The dynamic efficiency is **0.96** for all ratios

*Nel montaggio P la flangia può superare l'ingombro massimo dei piedi. Eventualmente utilizzare la flangia B14
* In the P mounting the B5 motor flange can exceed the foot maximum dimensions. Possibly use the flange B14

Motor Flanges Available
Flange Motore Disponibili

B) Supplied with Reduction Bushing
Fornito con Bussola di Riduzione

B) Available on Request without reduction bushing
Disponibile a Richiesta senza Bussola di Riduzione

C) Motor Flange Holes Position
Posizione Fori Flangia Motore

EN Unit **502A** is supplied with synthetic oil for lifetime lubrication, no maintenance is necessary. See table 1 for lubrication and recommended quantity. In table 2 please see possible radial loads and axial loads on the gearbox.

I Il riduttore **502A** viene fornito completo di olio sintetico per la lubrificazione permanente e non necessita di alcuna manutenzione. Vedi tab.1 per oli e quantità consigliati. In tab.2 sono presenti i carichi radiali e assiali applicabili al riduttore.

D Das Getriebe **502A** ist mit synthetischem Öl gefüllt und ist lebensdauergeschmiert. In Tabelle 1 ist die Schmiermenge und das empfohlene Schmiermittel angegeben. In Tabelle 2 sind die zulässigen Radial - und Axialbelastungen des Getriebes aufgeführt.

F Le réducteur **502A** est fourni complet avec de l'huile synthétique pour la lubrification permanente et ne nécessite aucun entretien. Voir tableau 1 concernant les huiles et les quantités conseillées. Les charges radiales et axiales applicables au réducteur sont précisées dans le tableau 2.

E El reductor tamaño **502A** se suministra, lubricado de por vida con aceite sintético y no requieren mantenimiento alguna. Ver tabla 1, para cantidades y aceites recomendados. En la tabla 2, se encuentran las cargas radiales y axiales admitidas por el reductor.

Standard supplied	For these mounting position specify in the order or add oil Per queste posizioni specificare in fase d'ordine o aggiungere olio					
B3	B6	B7	B8	V5	V6	V8
0.45 LT	0.55 LT	1.00 LT	1.10 LT	1.10 LT	1.15 LT	Ask
AGIP Telium VSF 320			SHELL Omala S4 WE 320			

For all details on lubrication and plugs check our website **tab. 1**
Per maggiori dettagli su lubrificazione e tappi olio vedi il nostro sito web

RADIAL AND AXIAL LOADS

Output shaft
Albero di uscita

$F_R(N)$
 $F_A(N)$

$F_{eq} = F_R \cdot \frac{54}{X+24}$

$F_{eq}(N)$
X

n ₂	FA	FR	n ₂	FA	FR	n ₂	FA	FR
300	460	2300	140	600	3000	70	780	3900
250	480	2400	120	620	3100	40	900	4500
200	520	2600	85	700	3500	15	1000	5000

Input shaft
Albero in entrata

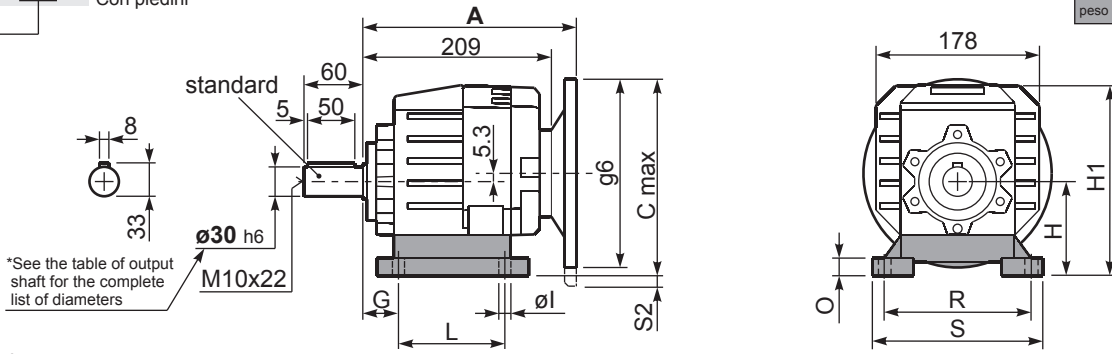
$F_R(N)$
 $F_A(N)$

n ₁	FA	FR
1400	450	2250
900	500	2500
500	600	3000

tab. 2

P502A **B1** ... With feet
Con piedini

Gearbox weight **11.7 kg**
peso riduttore With feet **11.9 Kg**



Feet / piedini

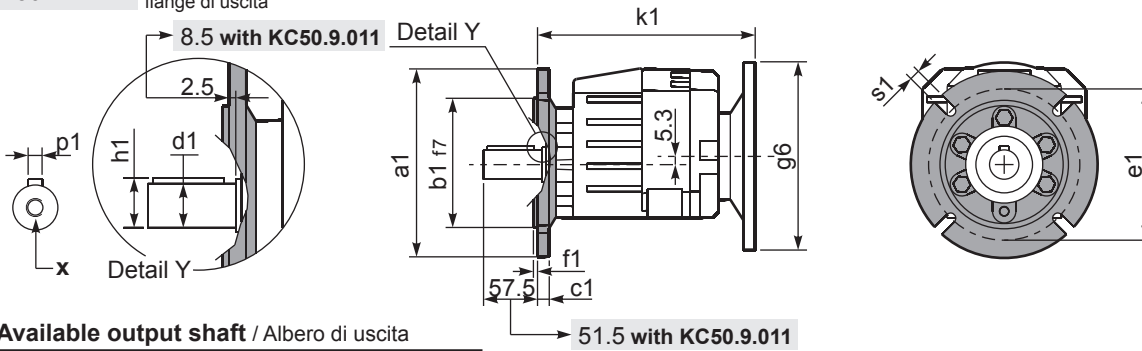
Feet Code	Market reference	G	H	R	L	S	H1	O	øl	S2 only with motor flange	B5 max. Flange	kit code
B3	312/3	18	110	160	130	190	211.5	20	11	10 100/112B5 35 132B5	-	KC50.9.024
B4	30/35	20	130	180	149.5	216	231.5	18	14	15 132B5	-	KC60.9.024
S4	47-57	30	115	135	165	170	216.5	24	13.5	5 100/112B5 30 132B5	-	KC50.9.022
H3	023-233	30	130	135	135	185	231.5	25	14	15 132B5	-	KC50.9.025
M2	52/3	30	110	135-150	100	190	211.5	18	11	10 100/112B5 35 132B5	-	KC50.9.023
L6	06	19	125	160	106	205	226.5	8	14	20 132B5	-	KC50.9.026LM
E2	2202/3	13	100	135	192	164	201.5	6	14	20 100/112B5 45 132B5	-	KC50.9.027LM

Other feet are available, see our web site
Sono disponibili altri piedini, consulta il nostro sito web

A see on page bottom

Most popular types
Tipi più diffusi

P502A **F** ... Output flanges
flange di uscita



*Available output shaft / Alberi di uscita

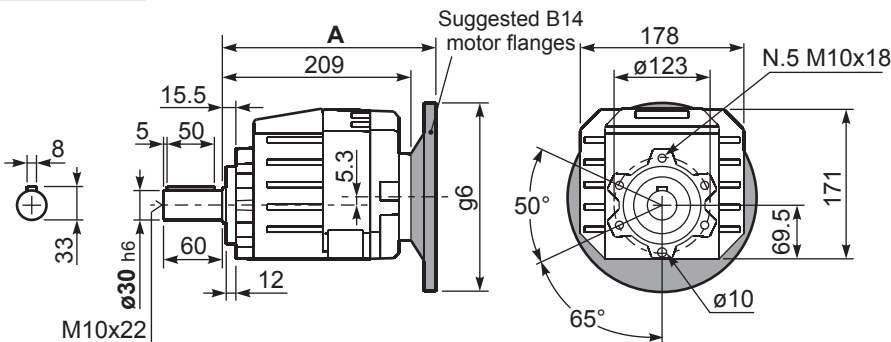
	Shaft - d1	p1	h1	x
Standard	ø 30x60	8	33	M10x22
On request A richiesta	ø 24x50	8	27	M8x19
	ø 25x50	8	28	M8x19
	ø 28x60	8	31	M8x19
	ø 35x60	10	38	M10x22

Available output flanges / flange di uscita

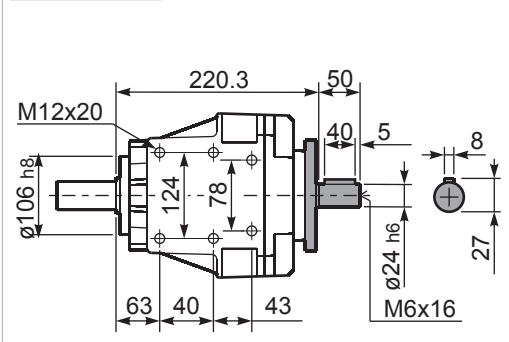
a1 ø	b1	c1	e1	f1	s1	kit code
160	110	14	130	3.5	11	KC50.9.011
200	130	13	165	3.5	11	KC50.9.012
250	180	15.5	215	4	14	KC50.9.013

With flange and feet only on request. Ask for compatibility

P502A **N** ... Basic gearbox
Riduttore base



R502A-N ... Input Shaft
Albero in entrata



B5 Motor Flanges	A	C _{max}	g6	k1	kit code	k1 with KC50.9.011	B14 Motor Flanges	A	C _{max}	g6	k1	kit code	k1 with KC50.9.011
71 B5	227.5	227.3	160	230	K023.4.041	236	80 B14	229.5	207.3	120	232	K085.4.046	238
80/90 B5	229.5	247.3	200	232	K023.4.042	238	90 B14	229.5	217.3	140	232	K085.4.045	238
100/112 B5	238.5	272.3	250	241	K023.4.043	247	100/112 B14	238.5	227.3	160	241	K085.4.047	247
132 B5	256.5	297.3	300	259	KC50.4.043	265	132 B14	256.5	247	200	259	KC50.4.041	265



QUICK SELECTION / Selezione veloce							input speed (n ₁) = 1400 min ⁻¹									
Output Speed n ₂ [min ⁻¹]	Ratio i	Motor power P _{1M} [kW]	Output torque M _{2M} [Nm]	Service factor f.s.	Nominal power P _{1R} [kW]	Nominal torque M _{2R} [Nm]	Available B5 motor flanges				Available B14 motor flanges			Output Shaft	Ratios code	
							-B	-C	-D	-E	-Q	-R	-T			
							63	71	80	90	71	80	90			
35.2	39.79	1.5	382	1.0	1.5	373	B				C	C		191316	01	
29.6	47.22	1.1	331	1.1	1.2	354	B				C	C		191314	02	
25.6	54.73	1.1	384	0.9	1.0	354	B				C	C		171314	03	
21.1	66.22	0.75	318	1.0	0.77	326	B				C	C		171312	04	
18.3	76.69	0.75	369	1.0	0.72	354	B				C	C		131314	05	
16.7	83.59	0.55	297	1.2	0.66	354	B				C	C		190814	06	
15.1	92.78	0.55	329	1.0	0.55	326	B				C	C		131312	07	
13.4	104.68	0.55	371	1.0	0.53	354	B				C	C		101314	08	
11.9	117.22	0.37	278	1.2	0.43	326	B				C	C		170812	09	
11.1	126.65	0.37	300	1.1	0.40	326	B				C	C		101312	10	
10.2	136.62	0.37	324	1.1	0.40	354	B				C	C		91314	11	
8.5	165.29	0.25	264	1.2	0.31	326	B				C	C		91312	12	
7.8	180.40	0.25	289	1.2	0.31	354	B				C	C		71314	13	
6.4	218.26	0.25	349	0.9	0.23	326	B				C	C		71312	14	
5.8	241.82	0.25	387	0.9	0.23	354	B				C	C		90814	15	
4.8	292.57	0.18	358	0.9	0.17	326	B				C	C		90812	16	
4.4	319.32	0.18	391	0.9	0.17	354	B				C	C		70814	17	
3.6	386.33	0.12	305	1.1	0.13	326	B				C	C		70812	18	
2.9	480.16	0.12	380	0.7	0.08	250	B				C	C		70810	19	

The dynamic efficiency is **0.94** for all ratios

Motor Flanges Available Flange Motore Disponibili
 B Supplied with Reduction Bushing Fornito con Bussola di Riduzione
 B Available on Request without reduction bushing Disponibile a Richiesta senza Bussola di Riduzione
 C Motor Flange Holes Position Posizione Fori Flangia Motore

EN Unit **503A** is supplied with synthetic oil for lifetime lubrication, no maintenance is necessary. See table 1 for lubrication and recommended quantity. In table 2 please see possible radial loads and axial loads on the gearbox.

I Il riduttore **503A** viene fornito completo di olio sintetico per la lubrificazione permanente e non necessita di alcuna manutenzione. Vedi tab.1 per oli e quantità consigliati. In tab.2 sono presenti i carichi radiali e assiali applicabili al riduttore.

D Das Getriebe **503A** ist mit synthetischem Öl gefüllt und ist lebensdauergeschmiert. In Tabelle 1 ist die Schmiermenge und das empfohlene Schmiermittel angegeben. In Tabelle 2 sind die zulässigen Radial - und Axialbelastungen des Getriebes aufgeführt.

F Le réducteur **503A** est fourni complet avec de l'huile synthétique pour la lubrification permanente et ne nécessite aucun entretien. Voir tableau 1 concernant les huiles et les quantités conseillées. Les charges radiales et axiales applicables au réducteur sont précisées dans le tableau 2.

E El reductor tamaño **503A** se suministra, lubricado de por vida con aceite sintético y no requieren mantenimiento alguna. Ver tabla 1, para cantidades y aceites recomendados. En la tabla 2, se encuentran las cargas radiales y axiales admitidas por el reductor.

Standard supplied	For these mounting position specify in the order or add oil					
	Per queste posizioni specificare in fase d'ordine o aggiungere olio					
0.75 LT	0.75 LT	1.05 LT	1.15 LT	1.20 LT	1.20 LT	Ask
AGIP Telium VSF 320			SHELL Omala S4 WE 320			

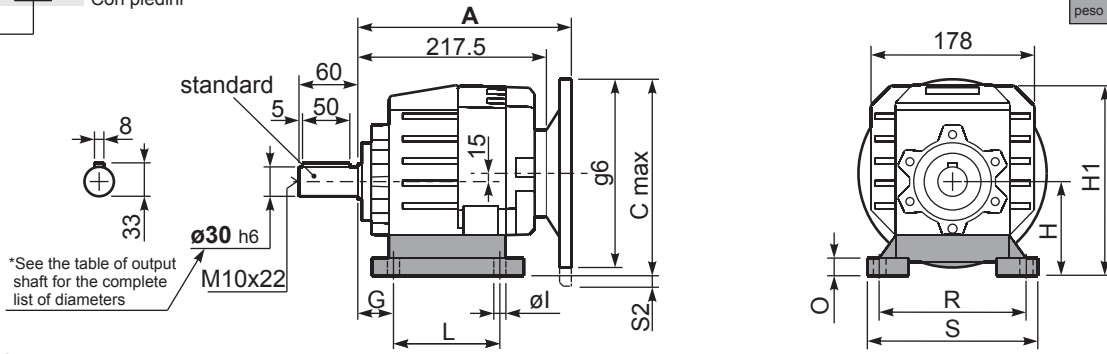
For all details on lubrication and plugs check our website **tab. 1**
Per maggiori dettagli su lubrificazione e tappi olio vedi il nostro sito web

RADIAL AND AXIAL LOADS								
Output shaft Albero di uscita			$F_{eq} = F_R \cdot \frac{54}{X+24}$					
n ₂	FA	FR	n ₂	FA	FR	n ₂	FA	FR
300	460	2300	140	600	3000	70	780	3900
250	480	2400	120	620	3100	40	900	4500
200	520	2600	85	700	3500	15	1000	5000
Input shaft Albero di entrata								
n ₁	FA	FR						
1400	400	2000						
900	440	2200						
500	440	2200						

tab. 2

P503A-B1... With feet
Con piedini

Gearbox weight **11.9 kg**
peso riduttore With feet **12.1 Kg**



Feet / piedini

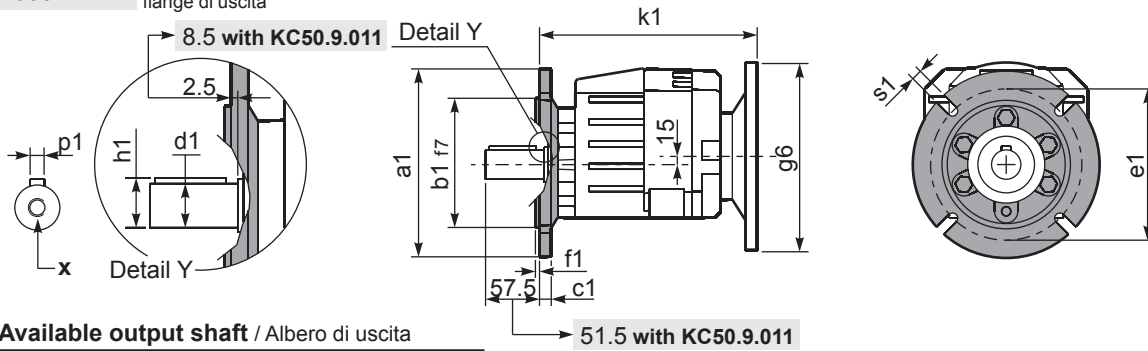
Feet Code	Market reference	G	H	R	L	S	H1	O	øl	S2 only with motor flange	B5 max. Flange	kit code
B3	312/3	18	110	160	130	190	211.5	20	11	-	-	KC50.9.024
B4	30/35	20	130	180	149.5	216	231.5	18	14	-	-	KC60.9.024
S4	47-57	30	115	135	165	170	216.5	24	13.5	-	-	KC50.9.022
H3	023-233	30	130	135	135	185	231.5	25	14	-	-	KC50.9.025
M2	52/3	30	110	135-150	100	190	211.5	18	11	-	-	KC50.9.023
L6	06	19	125	160	106	205	226.5	8	14	-	-	KC50.9.026LM
E2	2202/3	13	100	135	192	164	201.5	6	14	-	-	KC50.9.027LM

Other feet are available, see our web site
Sono disponibili altri piedini, consulta il nostro sito web

A see on page bottom

Most popular types
Tipi più diffusi

P503A-F... Output flanges
flange di uscita



***Available output shaft / Alberi di uscita**

	Shaft - d1	p1	h1	x
Standard	ø 30x60	8	33	M10x22
On request A richiesta	ø 24x50	8	27	M8x19
	ø 25x50	8	28	M8x19
	ø 28x60	8	31	M8x19
	ø 35x60	10	38	M10x22

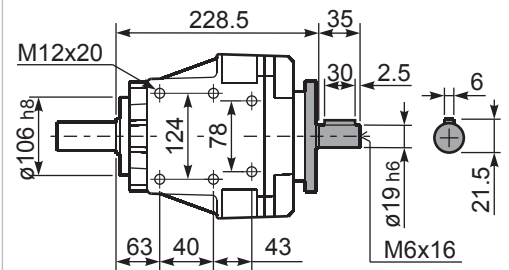
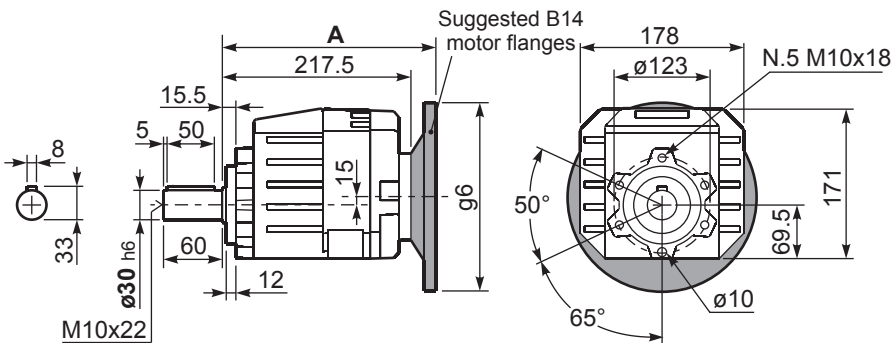
Available output flanges / flange di uscita

a1 ø	b1	c1	e1	f1	s1	kit code
160	110	14	130	3.5	11	KC50.9.011
200	130	13	165	3.5	11	KC50.9.012
250	180	15.5	215	4	14	KC50.9.013

With flange and feet only on request. Ask for compatibility

P503A-N... Basic gearbox
Riduttore base

R503A-N... Input Shaft
Albero in entrata



B5 Motor Flanges	A	C _{max}	g6	k1	kit code	k1 with KC50.9.011
63 B5	238	227	140	240.5	K063.4.041	246.5
71 B5	236	237	160	238.5	K063.4.042	244.5
80/90 B5	238	257	200	240.5	K063.4.043	246.5

B14 Motor Flanges	A	C _{max}	g6	k1	kit code	k1 with KC50.9.011
71 B14	236	209.5	105	238.5	K063.4.047	244.5
80 B14	238	217	120	240.5	K063.4.046	246.5
90 B14	238	227	140	240.5	K063.4.041	246.5



QUICK SELECTION / Selezione veloce

input speed (n₁) = 1400 min⁻¹

Output Speed n ₂ [min ⁻¹]	Ratio i	Motor power P _{1M} [kW]	Output torque M _{2M} [Nm]	Service factor f.s.	Nominal power P _{1R} [kW]	Nominal torque M _{2R} [Nm]	Available B5 motor flanges					Available B14 motor flanges				Output Shaft			
							-C	-D	-E	-F	-G	-R	-T	-U	-V			Ratios code	
							71	80	90	100 112	132*	80	90	100 112	132				
388	3.61	7.5	171	1.1	7.6	180	B										3018		01
331	4.23	7.5	200	1.1	8.0	220	B										3016		02
279	5.01	7.5	238	1.1	7.9	260	B										3014		03
231	6.07	7.5	288	1.0	7.6	300	B										3012		04
206	6.81	7.5	323	1.1	7.9	350	B										2018		05
176	7.96	7.5	378	1.0	7.1	370	B										2016		07
148	9.45	5.5	331	1.2	6.5	400	B										2014	standard	08
122	11.43	5.5	401	1.0	5.5	415	B										2012	ø35	09
100	14.00	4	359	1.2	4.7	435	B										1316		10
84	16.62	4	426	1.2	4.7	515	B										1314	ø28	11
70	20.10	4	515	1.0	4.0	520	B										1312	ø30	12
57	24.61	3	475	1.1	3.2	520	B										1112	ø38	20
47.6	29.41	2.2	418	1.1	2.3	450	B										814	ø40	14
39.3	35.58	1.85	431	1.2	2.2	520	B										812	On request	15
34.6	40.50	1.1	290	1.1	1.2	320	B										614		16
31.7	44.23	1.5	433	0.9	1.4	400	B										810		17
28.6	49.00	1.1	351	1.1	1.2	400	B										612		18
23.0	60.90	1.1	436	0.9	1.0	400	B										610		19

The dynamic efficiency is **0.96** for all ratios

*Nel montaggio P la flangia può superare l'ingombro massimo dei piedi. Eventualmente utilizzare la flangia B14
* In the P mounting the B5 motor flange can exceed the foot maximum dimensions. Possibly use the flange B14

Motor Flanges Available
Flange Motore Disponibili

B) Supplied with Reduction Bushing
Fornito con Bussola di Riduzione

B) Available on Request without reduction bushing
Disponibile a Richiesta senza Bussola di Riduzione

C) Motor Flange Holes Position
Posizione Fori Flangia Motore

EN Unit **602A** is supplied with synthetic oil for lifetime lubrication, no maintenance is necessary. See table 1 for lubrication and recommended quantity. In table 2 please see possible radial loads and axial loads on the gearbox.

I Il riduttore **602A** viene fornito completo di olio sintetico per la lubrificazione permanente e non necessita di alcuna manutenzione. Vedi tab.1 per oli e quantità consigliati. In tab.2 sono presenti i carichi radiali e assiali applicabili al riduttore.

D Das Getriebe **602A** ist mit synthetischem Öl gefüllt und ist lebensdauergeschmiert. In Tabelle 1 ist die Schmiermenge und das empfohlene Schmiermittel angegeben. In Tabelle 2 sind die zulässigen Radial- und Axialbelastungen des Getriebes aufgeführt.

F Le réducteur **602A** est fourni complet avec de l'huile synthétique pour la lubrification permanente et ne nécessite aucun entretien. Voir tableau 1 concernant les huiles et les quantités conseillées. Les charges radiales et axiales applicables au réducteur sont précisées dans le tableau 2.

E El reductor tamaño **602A** se suministra, lubricado de por vida con aceite sintético y no requieren mantenimiento alguna. Ver tabla 1, para cantidades y aceites recomendados. En la tabla 2, se encuentran las cargas radiales y axiales admitidas por el reductor.

Standard supplied	For these mounting position specify in the order or add oil Per queste posizioni specificare in fase d'ordine o aggiungere olio					
0.55 LT	0.85 LT	1.10 LT	1.20 LT	1.20 LT	1.25 LT	Ask
AGIP Telium VSF 320			SHELL Omala S4 WE 320			

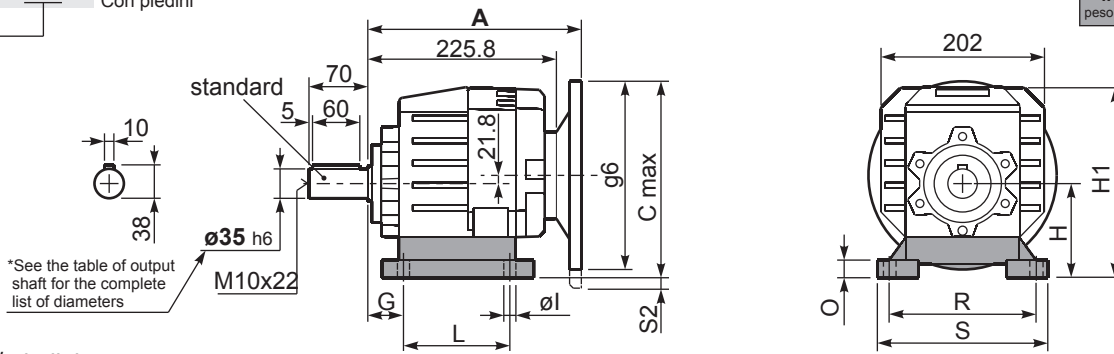
For all details on lubrication and plugs check our website **tab. 1**
Per maggiori dettagli su lubrificazione e tappi olio vedi il nostro sito web

RADIAL AND AXIAL LOADS								
Output shaft Albero di uscita			$F_{eq} = F_r \cdot \frac{60.5}{X+25.5}$					
n ₂	FA	FR	n ₂	FA	FR	n ₂	FA	FR
300	560	2800	140	740	3700	70	890	4200
250	600	3000	120	760	3800	40	1160	5800
200	640	3200	85	840	4000	15	1300	6500
Input shaft Albero di entrata								
n ₁	FA	FR						
1400	450	2250						
900	500	2500						
500	600	3000						

tab. 2

P602A**B1**... With feet
Con piedini

Gearbox weight **14.1 kg**
peso riduttore With feet **14.5 kg**



Feet / piedini

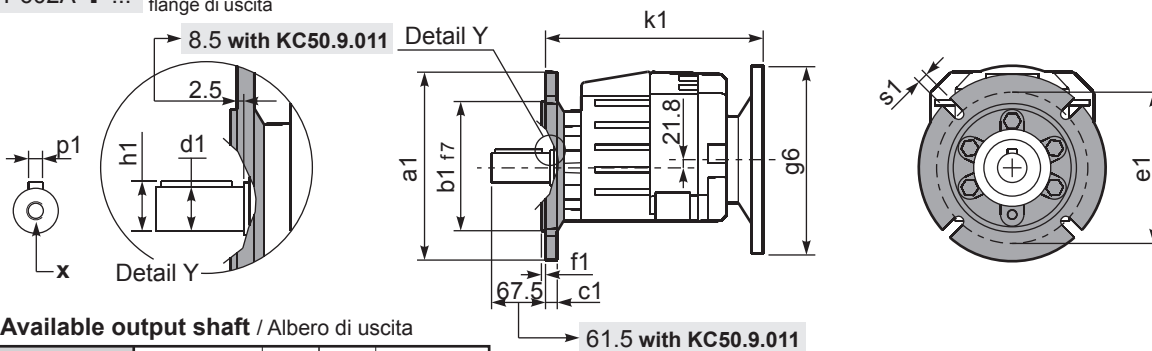
Feet Code	Market reference	G	H	R	L	S	H1	O	øl	S2 only with motor flange	B5 max. Flange	kit code
B4	412/3	20	130	180	149.5	216	233	18	14	-	-	KC60.9.024
S4	47-57	30	115	135	165	170	218	24	13.5	13 132B5	-	KC50.9.022
M3	62/3	35	120	170-185	110	230	223	20	14	8 132B5	-	KC60.9.023
S7	77	35	140	170	205	204	243	8	14	-	-	KC60.9.029LM
H4	024-243	35	155	170	150	225	258	30	14	-	-	KC60.9.025
L6	06	19	125	160	106	205	228	8	14	3 132B5	-	KC50.9.026LM
B5	352/3	23.5	115	170	130	205	218	8	14	13 132B5	-	KC60.9.021LM

Other feet are available, see our web site
Sono disponibili altri piedini, consulta il nostro sito web

A see on page bottom

Most popular types
Tipi più diffusi

P602A-**F**... Output flanges
flange di uscita



*Available output shaft / Alberi di uscita

	Shaft - d1	p1	h1	x
Standard	ø 35x70	10	38	M10x22
On request A richiesta	ø 28x60	8	31	M8x20
	ø 30x60	8	33	M10x22
	ø 38x70	10	41	M10x25
	ø 40x80	12	43	M12x28

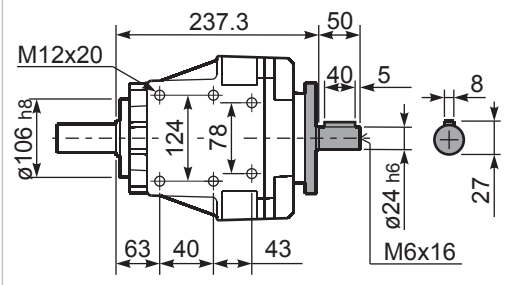
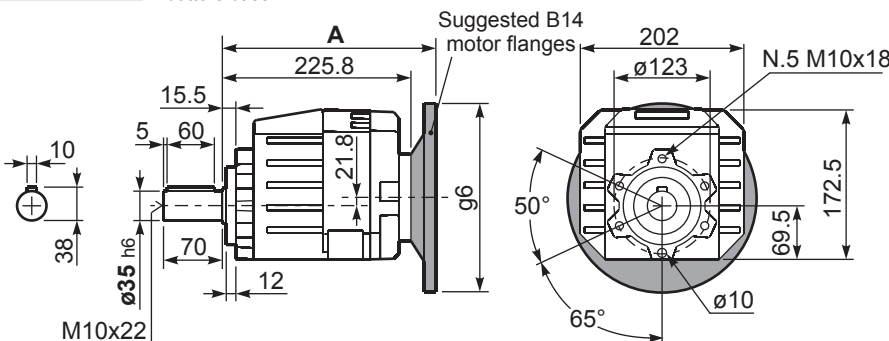
Available output flanges / flange di uscita

a1 ø	b1	c1	e1	f1	s1	kit code
160	110	14	130	3.5	11	KC50.9.011
200	130	13	165	3.5	11	KC50.9.012
250	180	15.5	215	4	14	KC50.9.013

With flange and feet only on request.
Ask for compatibility

P602A-**N**... Basic gearbox
Riduttore base

R602A-**N**... Input Shaft
Albero in entrata



B5 Motor Flanges	A	C _{max}	g6	k1	kit code	k1 with KC50.9.011	B14 Motor Flanges	A	C _{max}	g6	k1	kit code	k1 with KC50.9.011
71 B5	244.3	263.8	160	246.8	K023.4.041	252.8	80 B14	246.3	243.8	120	248.8	K085.4.046	254.8
80/90 B5	246.3	283.8	200	248.8	K023.4.042	254.8	90 B14	246.3	253.8	140	248.8	K085.4.045	254.8
100/112 B5	255.3	308.8	250	257.8	K023.4.043	263.8	100/112 B14	255.3	263.8	160	257.8	K085.4.047	263.8
132 B5	273.3	333.8	300	275.8	KC50.4.043	281.8	132 B14	273.3	283.8	200	275.8	KC50.4.041	281.8



QUICK SELECTION / Selezione veloce

input speed (n_1) = 1400 min⁻¹

Output Speed n_2 [min ⁻¹]	Ratio i	Motor power P_{1M} [kW]	Output torque M_{2M} [Nm]	Service factor $f.s.$	Nominal power P_{1R} [kW]	Nominal torque M_{2R} [Nm]	Available B5 motor flanges				Available B14 motor flanges			Output Shaft 	Ratios code
							-B	-C	-D	-E	-Q	-R	-T		
							63	71	80	90	71	80	90		
35.2	39.79	1.5	382	1.1	1.7	434	B				C	C		191316	05
29.6	47.22	1.5	453	1.1	1.7	515	B				C	C		191314	06
25.6	54.73	1.5	525	1.0	1.5	515	B				C	C		171314	07
24.5	57.13	1.5	548	0.9	1.4	520	B				C	C		191312	08
21.1	66.22	1.1	464	1.1	1.2	520	B				C	C		171312	09
19.7	71.01	1.1	498	0.9	0.96	435	B				C	C		191310	10
18.3	76.69	1.1	538	1.0	1.0	515	B				C	C		131314	11
17.0	82.30	0.75	396	1.1	0.82	435	B				C	C		171310	12
16.7	83.59	0.75	402	1.1	0.82	440	B				C	C		190814	13
15.1	92.78	0.75	446	1.2	0.87	520	B				C	C		131312	14
13.4	104.68	0.75	503	1.0	0.77	515	B				C	C		101314	15
11.9	117.22	0.75	564	0.9	0.69	520	B				C	C		170812	16
11.1	126.65	0.55	449	1.2	0.64	520	B				C	C		101312	17
10.3	135.74	0.55	482	0.9	0.51	440	B				C	C		130814	18
9.6	145.68	0.37	346	1.3	0.47	435	B				C	C		170810	19
8.9	157.40	0.37	373	1.2	0.43	435	B				C	C		101310	20
8.5	165.29	0.37	392	1.3	0.49	520	B				C	C		91312	21
7.6	185.29	0.37	439	1.0	0.37	440	B				C	C		100814	22
6.8	205.43	0.37	487	0.9	0.33	435	B				C	C		91310	23
6.2	224.18	0.37	532	1.0	0.36	520	B				C	C		100812	24
5.8	241.82	0.25	387	1.1	0.28	440	B				C	C		90814	25
5.0	278.62	0.25	446	1.0	0.24	435	B				C	C		100810	26
4.8	292.57	0.25	468	1.1	0.28	520	B				C	C		90812	27
3.9	363.63	0.18	445	1.0	0.19	435	B				C	C		90810	28

The dynamic efficiency is **0.94** for all ratios

A Motor Flanges Available
Flange Motore Disponibili

B Supplied with Reduction Bushing
Fornito con Bussola di Riduzione

B Available on Request without reduction bushing
Disponibile a Richiesta senza Bussola di Riduzione

C Motor Flange Holes Position
Posizione Fori Flangia Motore

EN Unit **603A** is supplied with synthetic oil for lifetime lubrication, no maintenance is necessary. See table 1 for lubrication and recommended quantity. In table 2 please see possible radial loads and axial loads on the gearbox.

I Il riduttore **603A** viene fornito completo di olio sintetico per la lubrificazione permanente e non necessita di alcuna manutenzione. Vedi tab.1 per oli e quantità consigliati. In tab.2 sono presenti i carichi radiali e assiali applicabili al riduttore.

D Das Getriebe **603A** ist mit synthetischem Öl gefüllt und ist lebensdauergeschmiert. In Tabelle 1 ist die Schmiermenge und das empfohlene Schmiermittel angegeben. In Tabelle 2 sind die zulässigen Radial - und Axialbelastungen des Getriebes aufgeführt.

F Le réducteur **603A** est fourni complet avec de l'huile synthétique pour la lubrification permanente et ne nécessite aucun entretien. Voir tableau 1 concernant les huiles et les quantités conseillées. Les charges radiales et axiales applicables au réducteur sont précisées dans le tableau 2.

E El reductor tamaño **603A** se suministra, lubricado de por vida con aceite sintético y no requieren mantenimiento alguna. Ver tabla 1, para cantidades y aceites recomendados. En la tabla 2, se encuentran las cargas radiales y axiales admitidas por el reductor.

Standard supplied	For these mounting position specify in the order or add oil Per queste posizioni specificare in fase d'ordine o aggiungere olio					
B3	B6	B7	B8	V5	V6	V8
0.75 LT	0.90 LT	1.15 LT	1.25 LT	1.30 LT	1.35 LT	Ask
AGIP Telium VSF 320			SHELL Omala S4 WE 320			

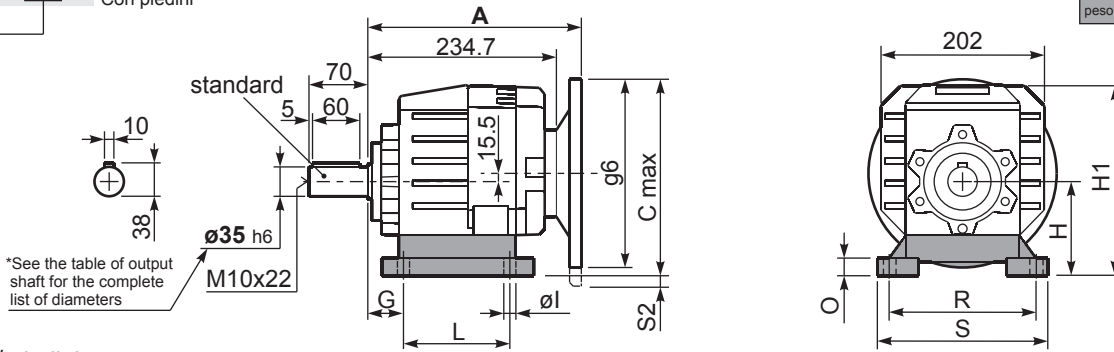
For all details on lubrication and plugs check our website **tab. 1**
Per maggiori dettagli su lubrificazione e tappi olio vedi il nostro sito web

RADIAL AND AXIAL LOADS								
Output shaft Albero di uscita			$F_{eq} = F_R \cdot \frac{60.5}{X+25.5}$					
n_2	FA	FR	n_2	FA	FR	n_2	FA	FR
300	560	2800	140	740	3700	70	890	4200
250	600	3000	120	760	3800	40	1160	5800
200	640	3200	85	840	4000	15	1300	6500
Input shaft Albero in entrata								
n_1	FA	FR						
1400	400	2000						
900	440	2200						
500	440	2200						

tab. 2

P603A-B1... With feet
Con piedini

Gearbox weight
peso riduttore With flange **14.3 kg**
With feet **14.7 Kg**



Feet / piedini

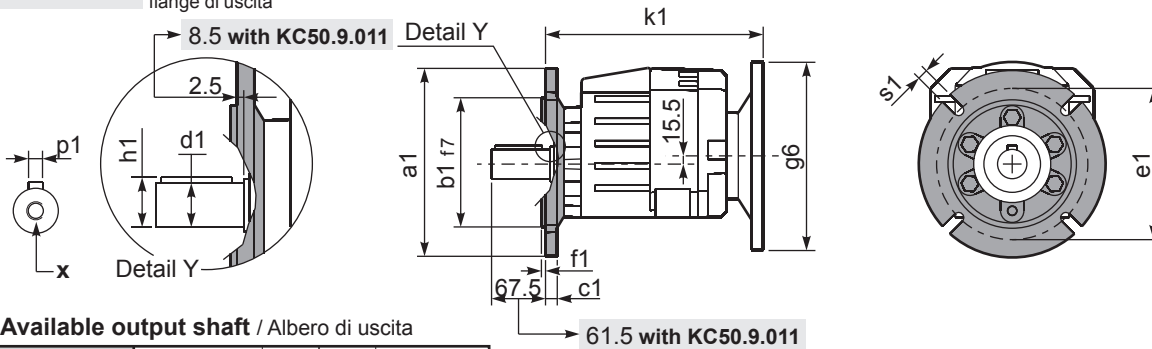
Feet Code	Market reference	G	H	R	L	S	H1	O	øl	S2 only with motor flange	B5 max. Flange	kit code
B4	412/3	20	130	180	149.5	216	233	18	14	-	-	KC60.9.024
S4	47-57	30	115	135	165	170	218	24	13.5	-	-	KC50.9.022
M3	62/3	35	120	170-185	110	230	223	20	14	-	-	KC60.9.023
S7	77	35	140	170	205	204	243	8	14	-	-	KC60.9.029LM
H4	024-243	35	155	170	150	225	258	30	14	-	-	KC60.9.025
L6	06	19	125	160	106	205	228	8	14	-	-	KC50.9.026LM
B5	352/3	23.5	115	170	130	205	218	8	14	-	-	KC60.9.021LM

Other feet are available, see our web site
Sono disponibili altri piedini, consulta il nostro sito web

A see on page bottom

Most popular types
Tipi più diffusi

P603A-F... Output flanges
flange di uscita



*Available output shaft / Alberi di uscita

	Shaft - d1	p1	h1	x
Standard	ø 35x70	10	38	M10x22
On request A richiesta	ø 28x60	8	31	M8x20
	ø 30x60	8	33	M10x22
	ø 38x70	10	41	M10x25
	ø 40x80	12	43	M12x28

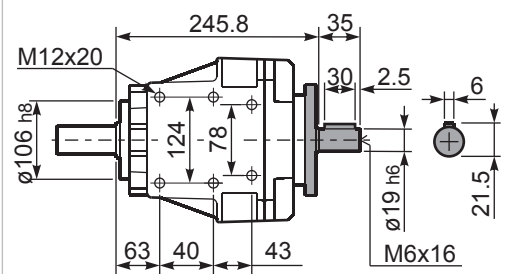
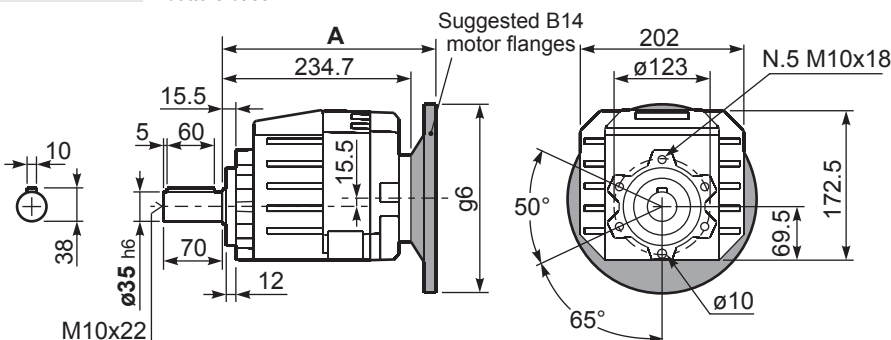
Available output flanges / flange di uscita

a1 ø	b1	c1	e1	f1	s1	kit code
160	110	14	130	3.5	11	KC50.9.011
200	130	13	165	3.5	11	KC50.9.012
250	180	15.5	215	4	14	KC50.9.013

With flange and feet only on request.
Ask for compatibility

P603A-N... Basic gearbox
Riduttore base

R603A-N... Input Shaft
Albero in entrata



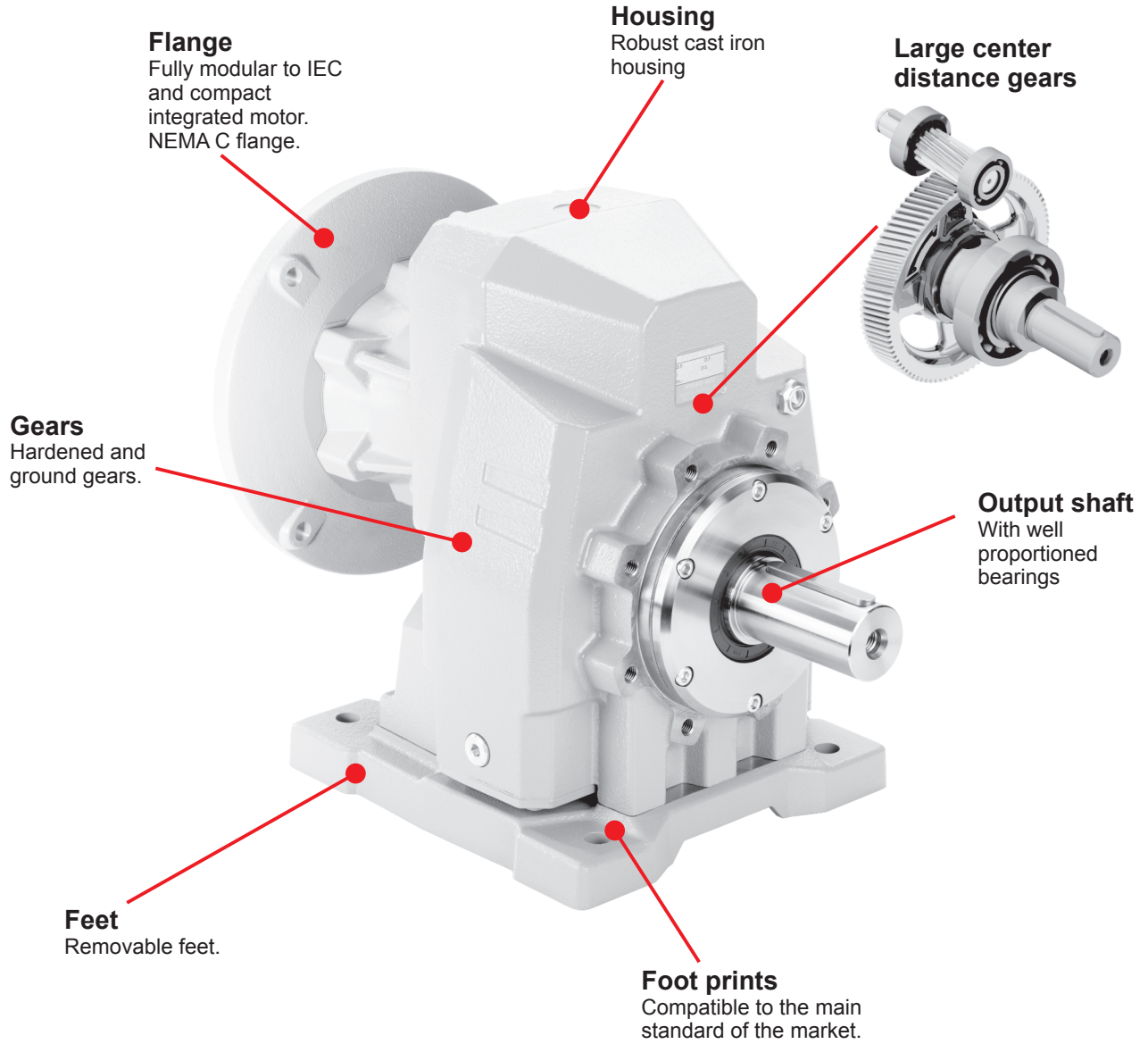
B5 Motor Flanges	A	C _{max}	g6	k1	kit code	k1 with KC50.9.011
63 B5	255.2	247.5	140	257.7	K063.4.041	263.7
71 B5	253.2	257.5	160	255.7	K063.4.042	261.7
80/90 B5	255.2	277.5	200	257.7	K063.4.043	263.7

B14 Motor Flanges	A	C _{max}	g6	k1	kit code	k1 with KC50.9.011
71 B14	253.2	230	105	255.7	K063.4.047	261.7
80 B14	255.2	237.5	120	257.7	K063.4.046	263.7
90 B14	255.2	247.5	140	257.7	K063.4.041	263.7

Cast iron in line gearboxes

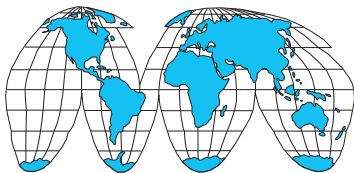
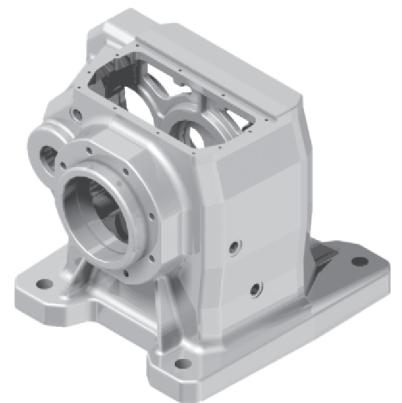
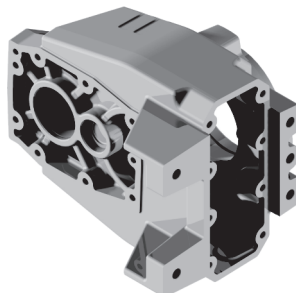
A modular and compact product

5



Single-piece Cast Iron housing

with high tensile strength. Precision machined for alignment of bearings and gearing

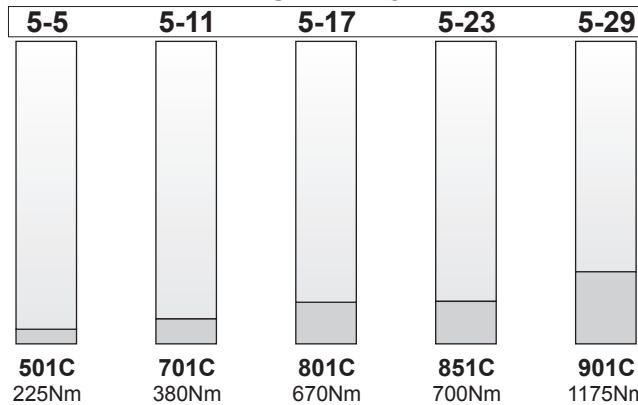


World wide sales network.

Specific type datasheet on page...

On page / A pagina / Auf Seite / À la page / En la página

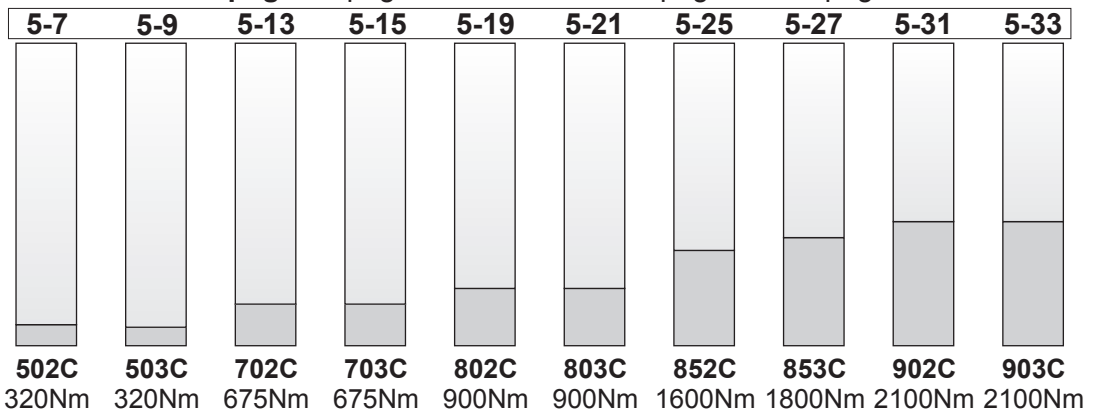
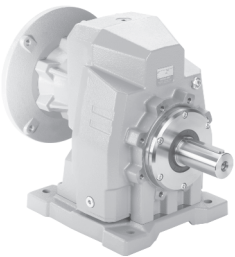
1 Stage



Types / Tipi
Tipen / Types
Tipos

On page / A pagina / Auf Seite / À la page / En la página

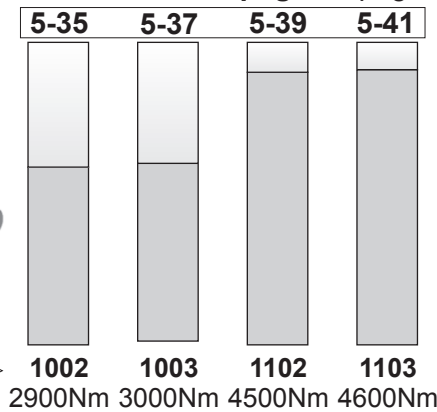
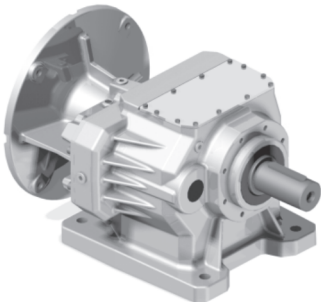
2 and 3 Stages



Types / Tipi
Tipen / Types
Tipos

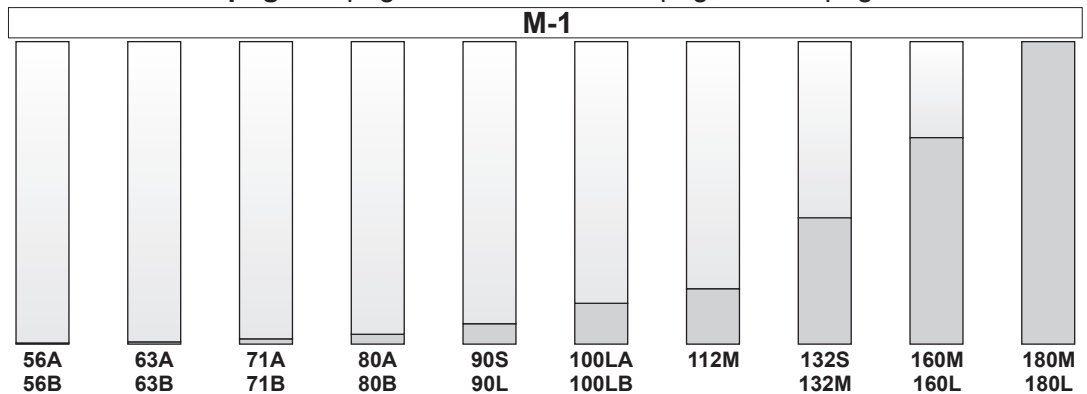
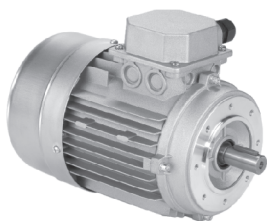
On page / A pagina / Auf Seite / À la page / En la página

2 and 3 Stages



Types / Tipi
Tipen / Types
Tipos

On page / A pagina / Auf Seite / À la page / En la página



Types / Tipi
Tipen / Types
Tipos

Type - Tipo - Typ
Type - Tipo

Size - Grandezza - Grösse
Taille - Tomafio

Mounting - Montaggio
Montage - Fixation
Tipo de montaje

Ratio - Rapporto
Untersetzung
Reduction
Relación

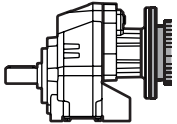
P

702C

-F

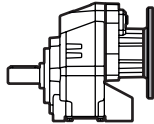
6.57

Cast iron coaxial gear boxes
Riduttori coassiali in Ghisa



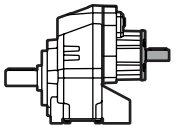
With IEC motor

M



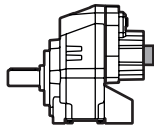
With motor flange

P



With male input shaft

R



Modular base

B



Not available for:
701C, 801C,
851C, 901C,
852C, 902C,
1002, 1102,
1003, 1103.

1 Stage
Riduzione
Stufe
Trains
Etapas

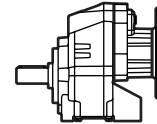
501C
701C
801C
851C
901C

2 Stages
Riduzioni
Stufen
Trains
Etapas

502C
702C
802C
852C
902C
1002
1102

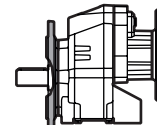
3 Stages
Riduzioni
Stufen
Trains
Etapas

503C
703C
803C
853C
903C
1003
1103



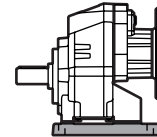
Without flange / feet

-N



Output flange mounted

-F



Mounted feet

B..

Feet / piedini

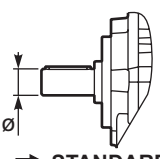
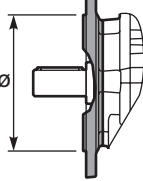
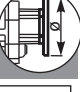


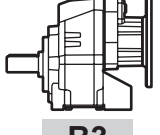
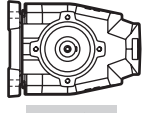

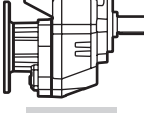
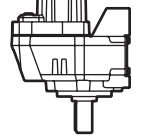
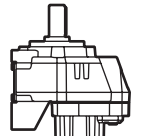
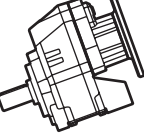
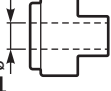
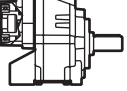




Feet Code	Market reference	G	H	R	L
B1	112	18	85	110	
B2	212/3	18	100	130	
S4	17	18	75	110	
S2	27	25	90		
M1	42/3	25	80		
L4	04	13	80		
L5	05	16	100		

You see feet code in the chart of the dimensions
Vedi codice piede nella tabella delle dimensioni

5



On request we can deliver our products according to the ATEX
A richiesta possiamo fornire i nostri prodotti secondo le normative ATEX
Auf Anfrage können wir unsere Produkte den Richtlinien ATEX entsprechend liefern
Sur demande nos produits peuvent se conformer à la réglementation ATEX
A pedido, se pueden enviar nuestros productos de acuerdo con las normas ATEX.

Output shaft Albero uscita Abtriebswelle Arbre de sortie Eje en salida	Output flange Flangia uscita Ausgangsflansch Bride de sortie Brida en salida	Motor size - Grandezza motore Motor Grösse Grandeur moteur - Tamaño motor	Mounting position Posizione montaggio Einbaulage Position de montage Position de montaje	Input bore Foro entrata Eingangshohlwelle Trou d'entree Eje hueco de entrada	Terminal box position Posizione morsettieria Klemmkastenlage Position boîte à bornes Posición caja de bornes
<p>H</p>  <p>→ STANDARD</p> <p>501C 502C 503C</p> <p>H → $\varnothing 30$ I → $\varnothing 35$</p> <p>701C 702C 703C</p> <p>I → $\varnothing 35$ L → $\varnothing 38$ M → $\varnothing 40$</p> <p>801C 802C 803C</p> <p>M → $\varnothing 40$ P → $\varnothing 50$</p> <p>851C 852C 853C</p> <p>P → $\varnothing 50$ J → $\varnothing 60$</p> <p>901C 902C 903C</p> <p>P → $\varnothing 50$ J → $\varnothing 60$</p> <p>1002 1003</p> <p>J → $\varnothing 60$</p> <p>1102 1103</p> <p>A → $\varnothing 70$</p>	<p>4</p>  <p>→ STANDARD</p> <p>N Senza flangia Without flange</p> <p>501C 502C 503C</p> <p>3 → $\varnothing 160$ 4 → $\varnothing 200$ 5 → $\varnothing 250$</p> <p>701C 702C 703C</p> <p>4 → $\varnothing 200$ 5 → $\varnothing 250$</p> <p>801C 802C 803C</p> <p>5 → $\varnothing 250$ 6 → $\varnothing 300$</p> <p>851C 852C 853C</p> <p>6 → $\varnothing 300$ 7 → $\varnothing 350$</p> <p>901C 902C 903C 1002 1003</p> <p>6 → $\varnothing 300$ 7 → $\varnothing 350$ 8 → $\varnothing 450$</p> <p>1102 1103</p> <p>7 → $\varnothing 350$ 8 → $\varnothing 450$</p>	<p>-F</p> <p>Flange Flangia</p>  <p>B5</p> <p>-A=56 ($\varnothing 120$) -B=63 ($\varnothing 140$) -C=71 ($\varnothing 160$) -D=80 ($\varnothing 200$) -E=90 ($\varnothing 200$) -F=100+112 ($\varnothing 250$) -G=132 ($\varnothing 300$) -H=160 ($\varnothing 350$) -I=180 ($\varnothing 350$) -L=200 ($\varnothing 400$) -CA=225 ($\varnothing 450$)</p> <p>B14</p> <p>-O=56 ($\varnothing 80$) -P=63 ($\varnothing 90$) -Q=71 ($\varnothing 105$) -R=80 ($\varnothing 120$) -T=90 ($\varnothing 140$) -U=100+112 ($\varnothing 160$) -V=132 ($\varnothing 200$)</p> <p>Type R Tipo R</p>  <p>503C</p> <p>-1 → $\varnothing 14$</p> <p>502C 703C 803C</p> <p>-2 → $\varnothing 19$</p> <p>702C 802C 853C 903C</p> <p>-3 → $\varnothing 24$</p> <p>852C 902C 1003 1103</p> <p>-4 → $\varnothing 28$</p> <p>1002 1102</p> <p>-6 → $\varnothing 42$</p> <p>Without flange Senza flangia</p>  <p>-M → With coupling</p> <p>503C</p> <p>-Z → $\varnothing 9$ (56B5) -0 → $\varnothing 11$ (63B5) -1 → $\varnothing 14$ (71B5)</p> <p>502C 703C 803C</p> <p>-1 → $\varnothing 14$ (71B5) -2 → $\varnothing 19$ (80B5) -3 → $\varnothing 24$ (90B5)</p> <p>702C 802C 853C 903C</p> <p>-2 → $\varnothing 19$ (80B5) -3 → $\varnothing 24$ (90B5) -4 → $\varnothing 28$ (100B5)</p> <p>501C</p> <p>-4 → $\varnothing 28$ (100B5)</p>	<p>B3</p>  <p>B3 STANDARD</p>  <p>B6</p>  <p>B7</p>  <p>B8</p>  <p>V5</p>  <p>V6</p>  <p>V8</p>	<p>-</p> <p>Nothing indication: standard bore</p> <p>Nessuna indicazione: foro standard</p> <p>COUPLING</p>  <p>A = 9mm B = 11mm C = 14mm D = 19mm E = 24mm F = 28mm</p> <p>0</p> <p>Ready for input coupling Predisposto per giunto</p> 	<p>With Type M specify terminal box position Con tipo M specificare posizione morsettieria</p>  <p>A</p>  <p>B STANDARD</p>  <p>C</p>  <p>D</p>

POTENZA RICHIESTA / REQUIRED POWER / ERFORDERLICHE LEISTUNG / PUISSANCE NECESSAIRE / POTENCIA NECESARIA

Lifting / sollevamento / hubantriebe / levage / elevación

$$P \text{ [KW]} = \frac{M \text{ [Kg]} \cdot g \text{ [9.81]} \cdot v \text{ [m / s]}}{1000}$$

Rotation / rotazione / drehung / rotation / rotação

$$P \text{ [KW]} = \frac{M \text{ [Nm]} \cdot n \text{ [rpm]}}{9550}$$

Linear movement / traslazione / linearbewegung / translation / translación

$$P \text{ [KW]} = \frac{F \text{ [N]} \cdot v \text{ [m / s]}}{1000}$$

TORQUE / COPPIA / DREHMOMENT / COUPLE / PAR

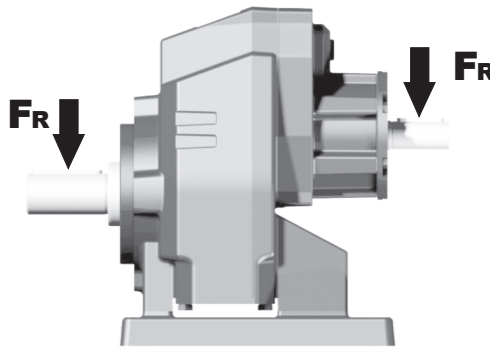
$$M \text{ [Nm]} = \frac{9550 \cdot P \text{ [KW]}}{n \text{ [rpm]}}$$

$$M \text{ [lb in]} = \frac{63030 \cdot P \text{ [HP]}}{n \text{ [rpm]}}$$

5

RADIAL LOADS / CARICHI RADIALI / RADIALE - UND AXIALLASTEN / CHARGES RADIALES / CARGA RADIAL Y AXIAL

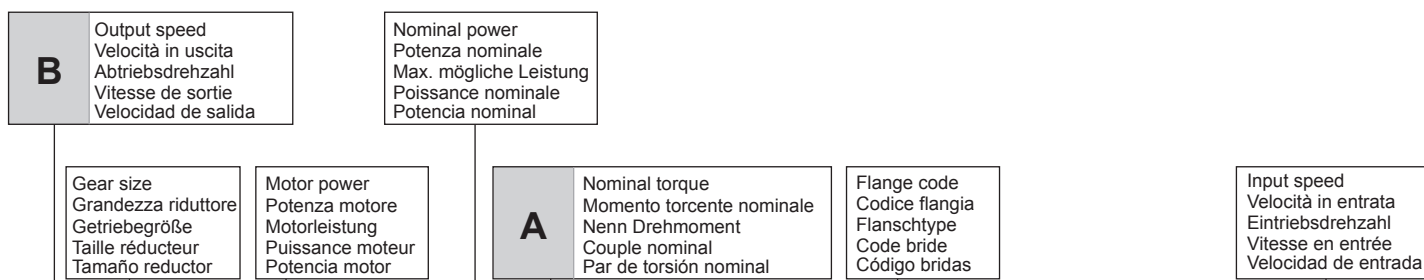
- Radial load generated by external transmissions keyed onto input and/or output shafts.
- Forza radiale generata da organi di trasmissione calettati sugli alberi di ingresso e/o uscita.
- Belastungen der Antriebs- bzw. Abtriebswellen durch von aussen eingebrachte Radiallasten.
- Charge radiale générée par la transmissions calés sur les entrées et / ou des arbres de sortie
- Cargas radiales, generada por transmisiones externas, aplicadas sobre los ejes de entrada y/o salida



	$F_R \text{ [N]} = \frac{M \text{ [Nm]} \cdot 2000}{d \text{ [mm]}} \cdot f_k$	$F_R \text{ [N]} = \frac{M \text{ [lb in]} \cdot 8.9}{d \text{ [in]}} \cdot f_k$
M	Momento torcente / Output torque / Abtriebsdrehmoment / Couple / Par torsion	
d	Diametro primitivo / Diam. of driving element / Durchmesser der Abtriebseinheit / Diamètre primitif / Diámetro primitivo	
f_k	Coefficiente di trasformazione / Factor / Faktor / Coefficient de transmission / Coeficiente de transmisión 1.15 Ingranaggi / Gearwheels / Zahnrad / Engrenage / Engranaje 1.25 Catena / Chain sprockets / Antriebskette / Chaîne / Cadena 1.75 Cinghia Trapezoidale / Narrow v-belt pulley / Keilriemen / Courroie trap. / Correa trapezoidal 2.50 Cinghia piatta / Flat-belt pulley / Flachzahnriem. / Courroie crantée / Correa plana	

- If your application requires higher radial loads, contact our technical office. Higher load may be possible.
- Nel caso la vostra applicazione richieda carichi radiali superiori consultare il nostro ufficio tecnico, valori maggiori possono essere accettati.
- Wenn Ihre Anwendung höhere Radialbelastungen erfordert, so wenden Sie sich bitte an unser technisches Büro.
- Si votre application demande des charges radiales supérieures, s'adresser à notre bureau technique.
- En el caso en que una aplicación exija una carga radial superior a la especificada en el catálogo, consultar a nuestra oficinas técnica.

How to select a gearbox / Come selezionare un riduttore / Wie wählt man ein Getriebe
Comment sélectionner un réducteur / Cómo seleccionar un reductor



702C

Coaxial - Gear
675Nm

Rating - Cast Iron COAXIAL GEARBOXES



QUICK SELECTION / Selezione veloce

input speed (n_1) = 1400 min⁻¹

Output Speed n_2 [min ⁻¹]	Ratio i	Motor power P_{1M} [kW]	Output torque M_{2M} [Nm]	Service factor f.s.	Nominal power P_{1R} [kW]	Nominal torque M_{2R} [Nm]	Available B5 motor flanges					Available B14 motor flanges				Output Shaft 	Notes Note Anmerkungen Note Notas	
							-C	-D	-E	-F	-G	-R	-T	-U	-V			
							71	80	90	100	112	132	80	90	100			112
213	6.57	7.5	312	1.2	8.8	380	B										3018	01
185	7.56	7.5	359	1.1	7.9	390	B										3016	02
159	8.82	7.5	419	1.0	7.1	410	B										3014	03
113	12.39	7.5	588	1.0	7.2	580	B										2018	04
98	14.24	5.5	499	1.2	6.4	600	B										2016	05

C Ratio
Rapporto
Untersetzung
Rapport de réduction
Relación

Transmitted torque
Momento torcente trasmesso
Mögliche Drehmomente
Couple de sortie
Par transmitido

Service factor
Fattore di servizio
Betriebsfaktor
Facteur de service
Factor de servicio

Output shaft diam.
Diam. albero uscita
Durchmesser abtriebswelle
Diametre arbre lent
Diametro eje de salida

Type of load and starts per hour Tipo di carico e avviamenti per ora		Oper. hours per day Ore di funz. giorn.		
		3 h	10 h	24 h
Continuous or intermittent appl. with start / hour Applicazione cont. o interm. con n.ro operazioni/ora	Uniform / Uniforme	0.8	1	1.25
	Moderate / Moderato	1	1.25	1.5
	Heavy / Forte	1.25	1.5	1.75
Intermittent application with start / hour Applicazione intermittente con n.ro operazioni/ora	Uniform / Uniforme	1	1.25	1.5
	Moderate / Moderato	1.25	1.5	1.75
	Heavy / Forte	1.5	1.75	2.15

D	Motor flange available Flange disponibili Erhältliche Motorflansche Brides disponibles Bridas disponibles	
B)	Mounting with reduction ring Montaggio con boccia di riduzione Reduzierhülsen Montage avec douille de réduction Montaje con casquillo de reducción	
C)	Motor flangeholes position/terminal box position Posizione fori flangia/basetta motore Bohrungsposition am Motorflansch/-socket Position trous bride/barrette à bornes moteur Posición agujeros brida / base motor	
B)	Available without reduction bushes Disponibile anche senza boccia Auch ohne Reduzierbuchse verfügbar Disponible aussi sans douille de réduction Disponible tambien sin casquillo	

A	Select required torque (according to service factor)	Seleziona la coppia desiderata (comprensiva del fattore di servizio)	Max. Drehmoment in Bezug zum Betriebsfaktor	Sélectionner le couple souhaité (comprenant le facteur de service)	Seleccionar el par deseado (incluyendo el factor de servicio)
B	Select output speed	Seleziona la velocità in uscita	Ausgewählte Abtriebsdrehzahl	Sélectionner la vitesse de sortie	Seleccionar la velocidad de salida
C	On the same line of selected geared motor, you can find the gear ratio	Sulla riga corrispondente alla motorizzazione prescelta si può rilevare il rapporto di riduzione	Auf der gleichen Linie wie die ausgewählte Motorleistung steht auch die Getriebeuntersetzung	Sur la ligne correspondante à la motorisation pré-choisie on peut relever le rapport de réduction	En la línea correspondiente al motor preseleccionado es posible encontrar la relación de reducción
D	Select motor flange available (if requested)	Scegli la flangia disponibile (se richiesta)	Erhältliche Motorflansche (auf Anfrage)	Choisir la bride disponible (si elle est demandée)	Seleccionar la brida disponible (sobre pedido)



QUICK SELECTION / Selezione veloce

input speed (n_1) = 1400 min⁻¹

Output Speed n_2 [min ⁻¹]	Ratio i	Motor power P_{1M} [kW]	Output torque M_{2M} [Nm]	Service factor f.s.	Nominal power P_{1R} [kW]	Nominal torque M_{2R} [Nm]	Available B5 motor flanges			Available B14 motor flanges			Output Shaft 	Ratios code	
							-D	-E	-F	-R	-T	-U			
							80	90	100 112	80	90	100 112			
481	2.91	4	76	1.8	7.2	140	B	B		B	B		3499	standard	01
373	3.75	4	98	1.6	6.4	160	B	B		B	B		28105	ø30	02
263	5.33	4	140	1.2	4.8	170	B	B		B	B		21112		03
219	6.39	4	167	1.0	4.0	170	B	B		B	B		18115	ø35	04
178	7.85	4	205	1.1	4.3	225	B	B		B	B		13102	On request	05

The dynamic efficiency is **0.98** for all ratios

A Motor Flanges Available
Flange Motore Disponibili

B Supplied with Reduction Bushing
Fornito con Bussola di Riduzione

B Available on Request without reduction bushing
Disponibile a Richiesta senza Bussola di Riduzione

C Motor Flange Holes Position
Posizione Fori Flangia Motore

EN Unit **501C** is supplied with synthetic oil for lifetime lubrication, no maintenance is necessary. See table 1 for lubrication and recommended quantity. In table 2 please see possible radial loads and axial loads on the gearbox.

I Il riduttore **501C** viene fornito completo di olio sintetico per la lubrificazione permanente e non necessita di alcuna manutenzione. Vedi tab.1 per oli e quantità consigliati. In tab.2 sono presenti i carichi radiali e assiali applicabili al riduttore.

D Das Getriebe **501C** ist mit synthetischem Öl gefüllt und ist lebensdauergeschmiert. In Tabelle 1 ist die Schmiermenge und das empfohlene Schmiermittel angegeben. In Tabelle 2 sind die zulässigen Radial- und Axialbelastungen des Getriebes aufgeführt.

F Le réducteur **501C** est fourni complet avec de l'huile synthétique pour la lubrification permanente et ne nécessite aucun entretien. Voir tableau 1 concernant les huiles et les quantités conseillées. Les charges radiales et axiales applicables au réducteur sont précisées dans le tableau 2.

E El reductor tamaño **501C** se suministra, lubricado de por vida con aceite sintético y no requieren mantenimiento alguna. Ver tabla 1, para cantidades y aceites recomendados. En la tabla 2, se encuentran las cargas radiales y axiales admitidas por el reductor.

Standard supplied	For these mounting position specify in the order or add oil Per queste posizioni specificare in fase d'ordine o aggiungere olio					
1.25 LT	0.80 LT	0.80 LT	0.70 LT	1.40 LT	0.80 LT	Ask
AGIP Telium VSF 320			SHELL Omala S4 WE 320			

For all details on lubrication and plugs check our website **tab. 1**
Per maggiori dettagli su lubrificazione e tappi olio vedi il nostro sito web

RADIAL AND AXIAL LOADS

Output shaft Albero di uscita			$F_{eq} = F_R \cdot \frac{56.5}{X+26.5}$		
n_2	FA	FR	n_2	FA	FR
300	500	2500	140	640	3200
250	540	2700	120	680	3400
200	580	2900	85	760	3800
70	820	4100	40	1020	5100
15	1100	5500			

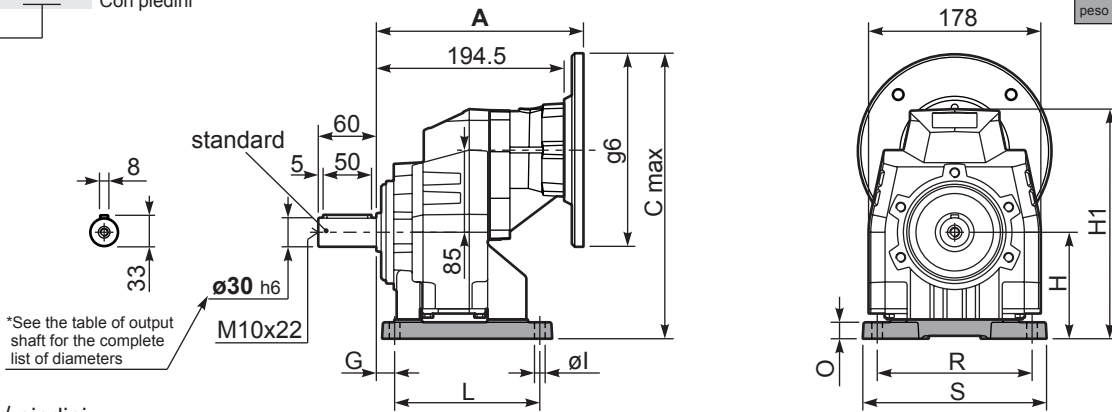
On request reinforced bearings to increase loads.
A richiesta cuscinetti rinforzati per aumentare i carichi.

tab. 2

P501CS4...

With feet
Con piedini

Gearbox weight
peso riduttore
With flange **20.0 kg**
With feet **22.0 kg**

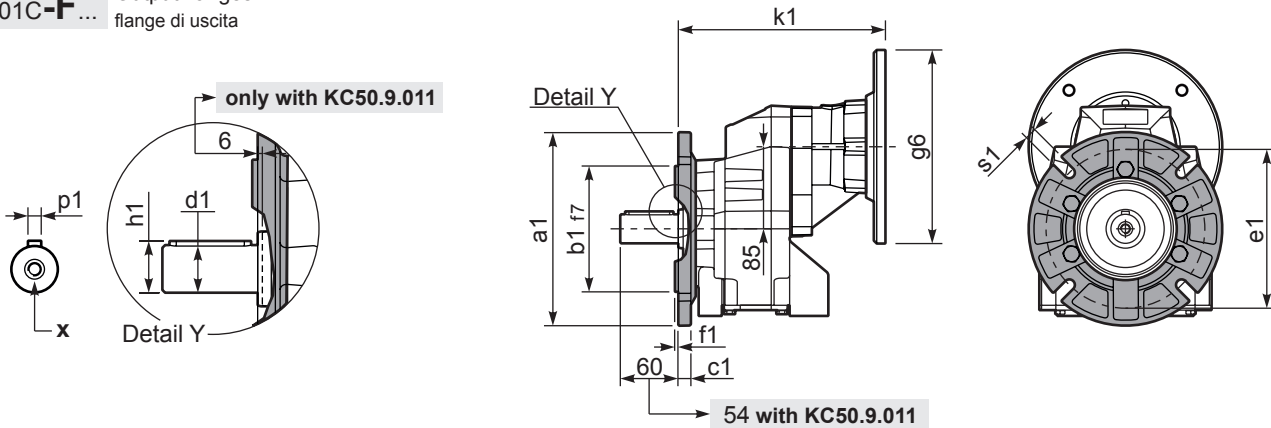


Feet / piedini

Feet Code	Market reference	G	H	R	L	S	H1	O	øl	B5 max. Flange	kit code
B3	312/3	18	110	160	130	190	237	17	11	-	C50C.9.022
S4	47	30	115	135	165	170	242	22	13.5	-	C50C.9.024
-	-	-	-	-	-	-	-	-	-	-	-
-	-	-	-	-	-	-	-	-	-	-	-
-	-	-	-	-	-	-	-	-	-	-	-

P501C-F...

Output flanges
flange di uscita



***Available output shaft / Albero di uscita**

	Shaft - d1	p1	h1	x
Standard	ø 30x60	8	33	M10x22
On request A richiesta	ø 35x70	10	38	M10x22
	-	-	-	-

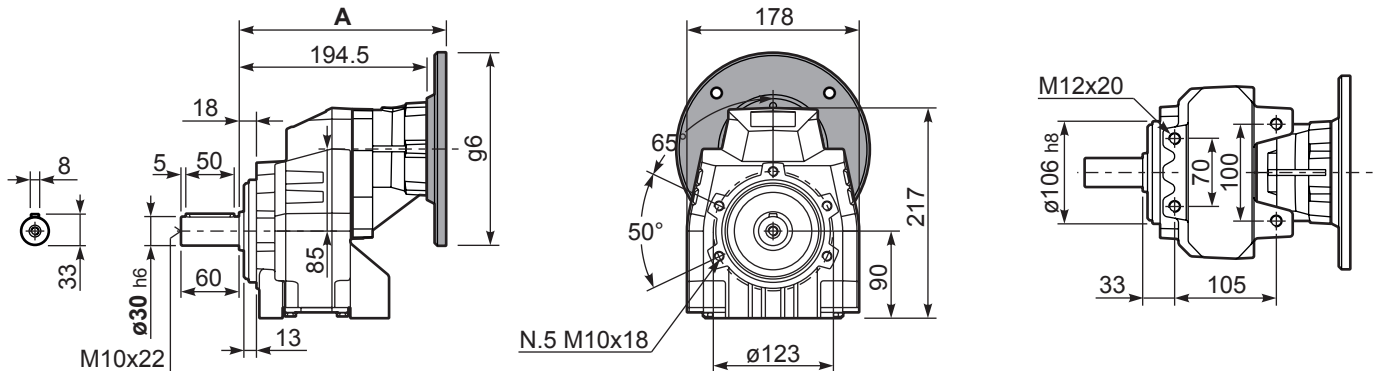
Available output flanges / flange di uscita

a1 ø	b1	c1	e1	f1	s1	kit code
160	110	14	130	3.5	11	KC50.9.011
200	130	13	165	3.5	11	KC50.9.012
250	180	15.5	215	4	14	KC50.9.013

With flange and feet only on request. Ask for compatibility

P501C-N...

Basic gearbox
Riduttore base



B5 Motor Flanges	A	C _{max}	g6	k1	kit code	k1 with KC50.9.011
80 B14	215	300	200	215	K023.4.042	221
100/112 B5	224	325	250	224	K023.4.043	230

B14 Motor Flanges	A	C _{max}	g6	k1	kit code	k1 with KC50.9.011
80 B14	215	260	120	215	K085.4.046	221
90 B14	215	270	140	215	K085.4.045	221
100/112 B14	224	280	160	224	K085.4.047	230



QUICK SELECTION / Selezione veloce

input speed (n_1) = 1400 min⁻¹

Output Speed n_2 [min ⁻¹]	Ratio i	Motor power P_{1M} [kW]	Output torque M_{2M} [Nm]	Service factor $f.s.$	Nominal power P_{1R} [kW]	Nominal torque M_{2R} [Nm]	Available B5 motor flanges					Available B14 motor flanges				Output Shaft \emptyset	Ratios code
							-B	-C	-D	-E	-F	-Q	-R	-T	-U		
							63	71	80	90	100	112	71	80	90		
167	8.38	4	215	1.0	4.1	225	B					C	C			2821	01
139	10.04	3	194	1.2	3.7	240	B					C	C			2818	02
114	12.33	3	238	1.1	3.2	260	B					C	C			2813	03
92	15.16	2.2	215	1.2	2.6	260	B					C	C			1921	04
80	17.57	2.2	250	1.1	2.3	270	B					C	C			1721	05
77	18.16	2.2	258	1.1	2.4	290	B					C	C			1918	06
67	21.05	2.2	299	1.1	2.3	320	B					C	C			1718	07
63	22.30	2.2	317	1.0	2.2	320	B					C	C			1913	08
57	24.70	1.5	242	1.3	2.0	320	B					C	C			1518	09
54	25.85	1.5	253	1.3	1.9	320	B					C	C			1713	10
47.5	29.49	1.5	289	1.1	1.7	320	B					C	C			1318	11
46.1	30.34	1.5	297	1.1	1.6	320	B					C	C			1513	12
41.7	33.60	1.1	240	1.0	1.1	250	B					C	C			1021	13
38.7	36.21	1.1	259	1.2	1.3	320	B					C	C			1313	14
34.8	40.25	1.1	288	1.0	1.1	300	B					C	C			1018	15
28.3	49.43	1.1	354	0.9	0.99	320	B					C	C			1013	16
26.7	52.53	0.75	258	1.0	0.76	260	B					C	C			918	17
21.7	64.51	0.75	317	1.0	0.75	315	B					C	C			913	18
20.2	69.37	0.37	168	1.1	0.42	190	B					C	C			718	19
16.4	85.19	0.37	206	1.1	0.41	230	B					C	C			713	20

The dynamic efficiency is **0.96** for all ratios

- Motor Flanges Available
Flange Motore Disponibili
- B) Supplied with Reduction Bushing
Fornito con Bussola di Riduzione
- B) Available on Request without reduction bushing
Disponibile a Richiesta senza Bussola di Riduzione
- C) Motor Flange Holes Position
Posizione Fori Flangia Motore

EN Unit **502C** is supplied with synthetic oil for lifetime lubrication, no maintenance is necessary.
See table 1 for lubrication and recommended quantity.
In table 2 please see possible radial loads and axial loads on the gearbox.

I Il riduttore **502C** viene fornito completo di olio sintetico per la lubrificazione permanente e non necessita di alcuna manutenzione.
Vedi tab.1 per oli e quantità consigliati.
In tab.2 sono presenti i carichi radiali e assiali applicabili al riduttore.

D Das Getriebe **502C** ist mit synthetischem Öl gefüllt und ist lebensdauergeschmiert.
In Tabelle 1 ist die Schmiermenge und das empfohlene Schmiermittel angegeben.
In Tabelle 2 sind die zulässigen Radial- und Axialbelastungen des Getriebes aufgeführt.

F Le réducteur **502C** est fourni complet avec de l'huile synthétique pour la lubrification permanente et ne nécessite aucun entretien.
Voir tableau 1 concernant les huiles et les quantités conseillées.
Les charges radiales et axiales applicables au réducteur sont précisées dans le tableau 2.

E El reductor tamaño **502C** se suministra, lubricado de por vida con aceite sintético y no requieren mantenimiento alguna.
Ver tabla 1, para cantidades y aceites recomendados.
En la tabla 2, se encuentran las cargas radiales y axiales admitidas por el reductor.

Standard supplied	For these mounting position specify in the order or add oil Per queste posizioni specificare in fase d'ordine o aggiungere olio					
1.25 LT	0.80 LT	0.80 LT	0.70 LT	1.40 LT	0.80 LT	Ask
AGIP Telium VSF 320			SHELL Omala S4 WE 320			

For all details on lubrication and plugs check our website **tab. 1**
Per maggiori dettagli su lubrificazione e tappi olio vedi il nostro sito web

RADIAL AND AXIAL LOADS

Output shaft
Albero di uscita

$F_R (N)$
 $F_A (N)$

$F_{eq} = F_R \cdot \frac{56.5}{X+26.5}$

$F_{eq} (N)$

n_2	F_A	F_R	n_2	F_A	F_R	n_2	F_A	F_R
300	500	2500	140	640	3200	70	820	4100
250	540	2700	120	680	3400	40	1020	5100
200	580	2900	85	760	3800	15	1100	5500

On request reinforced bearings to increase loads.
A richiesta cuscinetti rinforzati per aumentare i carichi.

Input shaft
Albero in entrata

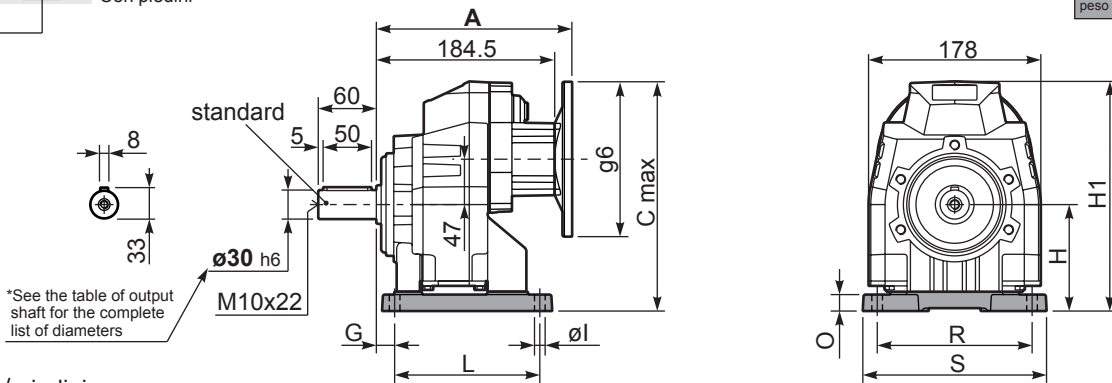
$F_R (N)$
 $F_A (N)$

n_1	F_A	F_R
1400	240	1200
900	280	1400
500	340	1700

tab. 2

P502C**S4**... With feet
Con piedini

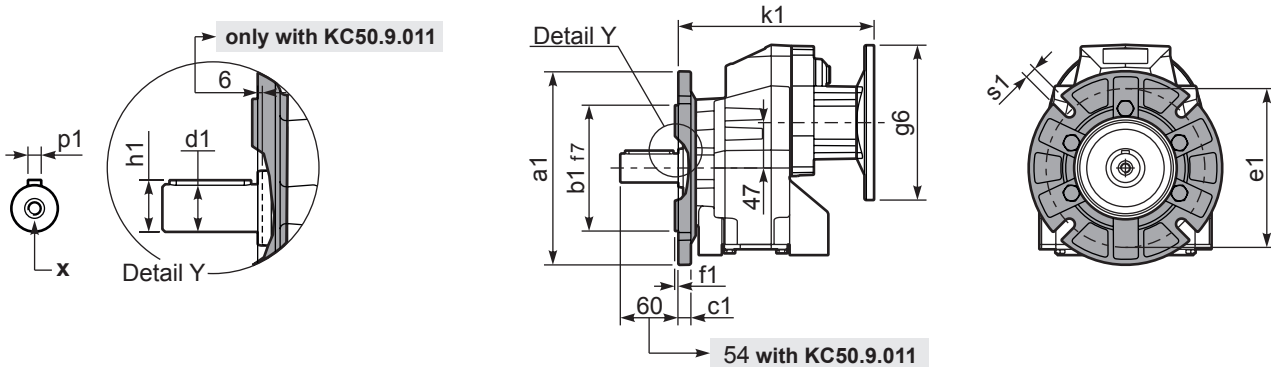
Gearbox weight **15.0 kg**
peso riduttore With feet **17.0 kg**



Feet / piedini

Feet Code	Market reference	G	H	R	L	S	H1	O	øl	B5 max. Flange	kit code
B3	312/3	18	110	160	130	190	237	17	11	-	C50C.9.022
S4	47	30	115	135	165	170	242	22	13.5	-	C50C.9.024
-	-	-	-	-	-	-	-	-	-	-	-
-	-	-	-	-	-	-	-	-	-	-	-
-	-	-	-	-	-	-	-	-	-	-	-

P502C-**F**... Output flanges
flange di uscita



*Available output shaft / Albero di uscita

	Shaft - d1	p1	h1	x
Standard	ø 30x60	8	33	M10x22
On request A richiesta	ø 35x70	10	38	M10x22
	-	-	-	-

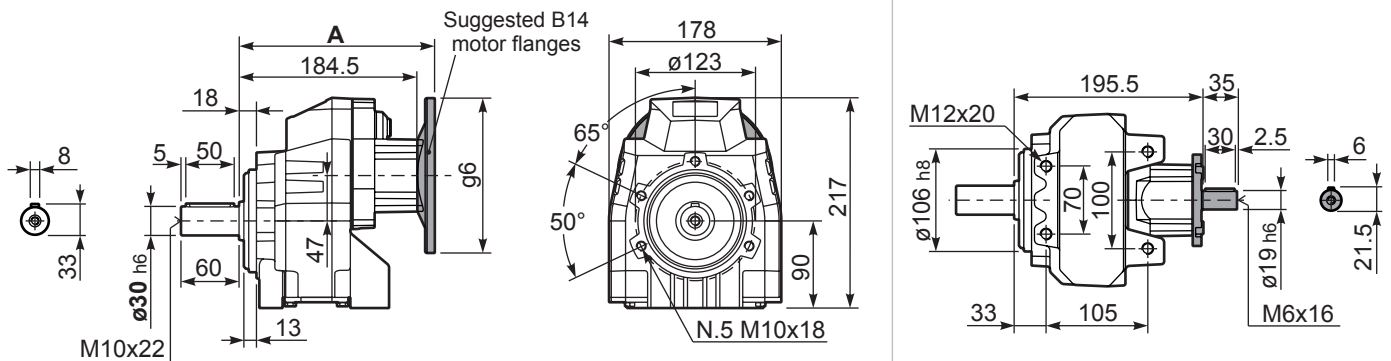
Available output flanges / flange di uscita

a1 ø	b1	c1	e1	f1	s1	kit code
160	110	14	130	3.5	11	KC50.9.011
200	130	13	165	3.5	11	KC50.9.012
250	180	15.5	215	4	14	KC50.9.013

With flange and feet only on request. Ask for compatibility

P502C-**N**... Basic gearbox
Riduttore base

R502C-**N**... Input Shaft
Albero in entrata



B5 Motor Flanges	A	C _{max}	g6	k1	kit code	k1 with KC50.9.011
63 B5	205	232	140	205	K063.4.041	211
71 B5	203	242	160	203	K063.4.042	209
80/90 B5	205	262	200	205	K063.4.043	211
100/112 B5	220.3	287	250	220.3	KC40.4.043	226.3

B14 Motor Flanges	A	C _{max}	g6	k1	kit code	k1 with KC50.9.011
71 B14	203	214.5	105	203	K063.4.047	209
80 B14	205	222	120	205	K063.4.046	211
90 B14	205	232	140	205	K063.4.041	211
100/112 B14	220.3	242	160	220.3	KC40.4.041	226.3



QUICK SELECTION / Selezione veloce

input speed (n_1) = 1400 min⁻¹

Output Speed n_2 [min ⁻¹]	Ratio i	Motor power P_{1M} [kW]	Output torque M_{2M} [Nm]	Service factor f.s.	Nominal power P_{1R} [kW]	Nominal torque M_{2R} [Nm]	Available B5 motor flanges		Available B14 motor flanges			Output Shaft \varnothing	Ratios code
							-B	-C	-O	-P	-Q		
							63	71	56	63	71		
18.8	74.33	0.37	176	1.8	0.67	320			C	C		191313	01
17.0	82.56	0.37	196	1.6	0.60	320			C	C		151318	02
16.0	87.48	0.37	207	1.5	0.57	320			C	C		131713	03
13.8	101.40	0.37	240	1.3	0.49	320			C	C		151313	04
11.4	122.57	0.37	291	1.1	0.41	320			C	C		131313	05
10.1	138.59	0.37	329	1.0	0.36	320			C	C		101318	06
8.7	160.82	0.25	257	1.2	0.31	320			C	C		91713	07
8.2	170.20	0.25	272	1.2	0.29	320			C	C		101313	08
7.6	183.48	0.25	294	1.1	0.27	320			C	C		91318	09
6.5	214.15	0.18	262	1.2	0.23	320			C	C		71713	10
6.2	225.33	0.18	276	1.2	0.22	320			C	C		91313	11
5.7	244.32	0.18	299	1.1	0.20	320			C	C		71318	12
5.5	254.15	0.18	311	1.0	0.20	320			C	C		61713	13
4.8	289.96	0.18	355	0.9	0.17	320			C	C		61318	14
4.7	300.05	0.18	367	0.9	0.17	320			C	C		71313	15
3.9	356.09	0.12	282	1.1	0.14	320			C	C		61313	16

The dynamic efficiency is **0.94** for all ratios

Motor Flanges Available
Flange Motore Disponibili

B) Supplied with Reduction Bushing
Fornito con Bussola di Riduzione

B) Available on Request without reduction bushing
Disponibile a Richiesta senza Bussola di Riduzione

C) Motor Flange Holes Position
Posizione Fori Flangia Motore

EN Unit **503C** is supplied with synthetic oil for lifetime lubrication, no maintenance is necessary. See table 1 for lubrication and recommended quantity. In table 2 please see possible radial loads and axial loads on the gearbox.

I Il riduttore **503C** viene fornito completo di olio sintetico per la lubrificazione permanente e non necessita di alcuna manutenzione. Vedi tab.1 per oli e quantità consigliati. In tab.2 sono presenti i carichi radiali e assiali applicabili al riduttore.

D Das Getriebe **503C** ist mit synthetischem Öl gefüllt und ist lebensdauergeschmiert. In Tabelle 1 ist die Schmiermenge und das empfohlene Schmiermittel angegeben. In Tabelle 2 sind die zulässigen Radial - und Axialbelastungen des Getriebes aufgeführt.

F Le réducteur **503C** est fourni complet avec de l'huile synthétique pour la lubrification permanente et ne nécessite aucun entretien. Voir tableau 1 concernant les huiles et les quantités conseillées. Les charges radiales et axiales applicables au réducteur sont précisées dans le tableau 2.

E El reductor tamaño **503C** se suministra, lubricado de por vida con aceite sintético y no requieren mantenimiento alguna. Ver tabla 1, para cantidades y aceites recomendados. En la tabla 2, se encuentran las cargas radiales y axiales admitidas por el reductor.

Standard supplied	For these mounting position specify in the order or add oil Per queste posizioni specificare in fase d'ordine o aggiungere olio					
1.35 LT	0.80 LT	0.80 LT	0.70 LT	1.50 LT	0.85 LT	Ask
AGIP Telium VSF 320				SHELL Omala S4 WE 320		

For all details on lubrication and plugs check our website [tab. 1](#)
Per maggiori dettagli su lubrificazione e tappi olio vedi il nostro sito web

RADIAL AND AXIAL LOADS

Output shaft
Albero di uscita

$F_R (N)$
 $F_A (N)$

$F_{eq} = F_R \cdot \frac{56.5}{X+26.5}$
 $F_{eq} (N)$

n_2	FA	FR	n_2	FA	FR	n_2	FA	FR
300	500	2500	140	640	3200	70	820	4100
250	540	2700	120	680	3400	40	1020	5100
200	580	2900	85	760	3800	15	1100	5500

On request reinforced bearings to increase loads.
A richiesta cuscinetti rinforzati per aumentare i carichi.

Input shaft
Albero in entrata

n_1	FA	FR
1400	140	700
900	160	800
500	190	950

tab. 2



QUICK SELECTION / Selezione veloce

input speed (n_1) = 1400 min⁻¹

Output Speed n_2 [min ⁻¹]	Ratio i	Motor power P_{1M} [kW]	Output torque M_{2M} [Nm]	Service factor f.s.	Nominal power P_{1R} [kW]	Nominal torque M_{2R} [Nm]	Available B5 motor flanges		B14 motor flanges				Output Shaft		
							-G	132	-	-	-	-	-	-	2980
507	2.76	9	166	1.6	14.4	265			not available				2980	standard	01
395	3.54	9	213	1.3	11.6	275							2485	ø35	02
277	5.06	9	304	1.0	8.6	290							1891	ø38	03
241	5.81	7.5	281	1.2	8.5	330							1693	ø40	04
206	6.79	7.5	329	1.2	8.4	380							1495	On request	05

The dynamic efficiency is **0.98** for all ratios

A) Motor Flanges Available
Flange Motore Disponibili

B) Supplied with Reduction Bushing
Fornito con Bussola di Riduzione

B) Available on Request without reduction bushing
Disponibile a Richiesta senza Bussola di Riduzione

C) Motor Flange Holes Position
Posizione Fori Flangia Motore

EN Unit **701C** is supplied with synthetic oil for lifetime lubrication, no maintenance is necessary. See table 1 for lubrication and recommended quantity. In table 2 please see possible radial loads and axial loads on the gearbox.

I Il riduttore **701C** viene fornito completo di olio sintetico per la lubrificazione permanente e non necessita di alcuna manutenzione. Vedi tab.1 per oli e quantità consigliati. In tab.2 sono presenti i carichi radiali e assiali applicabili al riduttore.

D Das Getriebe **701C** ist mit synthetischem Öl gefüllt und ist lebensdauergeschmiert. In Tabelle 1 ist die Schmiermenge und das empfohlene Schmiermittel angegeben. In Tabelle 2 sind die zulässigen Radial- und Axialbelastungen des Getriebes aufgeführt.

F Le réducteur **701C** est fourni complet avec de l'huile synthétique pour la lubrification permanente et ne nécessite aucun entretien. Voir tableau 1 concernant les huiles et les quantités conseillées. Les charges radiales et axiales applicables au réducteur sont précisées dans le tableau 2.

E El reductor tamaño **701C** se suministra, lubricado de por vida con aceite sintético y no requieren mantenimiento alguna. Ver tabla 1, para cantidades y aceites recomendados. En la tabla 2, se encuentran las cargas radiales y axiales admitidas por el reductor.

Standard supplied	For these mounting position specify in the order or add oil Per queste posizioni specificare in fase d'ordine o aggiungere olio					
B3	B6	B7	B8	V5	V6	V8
1.85 LT	1.40 LT	1.40 LT	1.30 LT	2.25 LT	1.60 LT	Ask
AGIP Telium VSF 320			SHELL Omala S4 WE 320			

For all details on lubrication and plugs check our website **tab. 1**
Per maggiori dettagli su lubrificazione e tappi olio vedi il nostro sito web

RADIAL AND AXIAL LOADS

Output shaft
Albero di uscita

F_R (N)
 F_A (N)

$F_{eq} = F_R \cdot \frac{70}{X+35}$

F_{eq} (N)

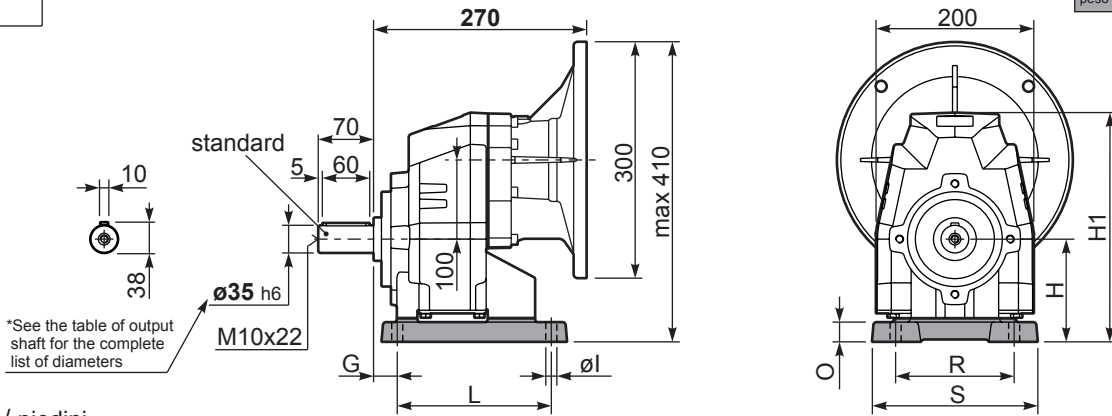
n_2	FA	FR	n_2	FA	FR	n_2	FA	FR
300	680	3400	140	960	4800	70	1300	6500
250	760	3800	120	1040	5200	40	1460	7300
200	900	4500	85	1120	5600	15	1800	9000

On request reinforced bearings to increase loads.
A richiesta cuscinetti rinforzati per aumentare i carichi.

tab. 2

P701C**S6**... With feet
Con piedini

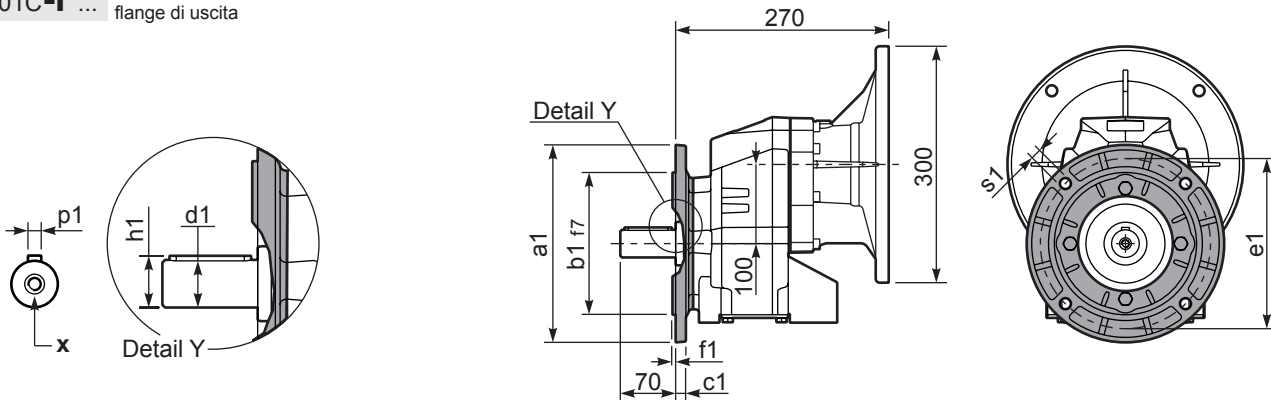
Gearbox weight **36.0 kg**
peso riduttore With flange
With feet **39.5 kg**



Feet / piedini

Feet Code	Market reference	G	H	R	L	S	H1	O	øI	B5 max. Flange	kit code
B4	412/3	19.5	130	180	149.5	216	290	25	14	-	KC70.9.022
S6	67	30	130	150	195	210	290	25	14	-	KC70.9.024
H5	025/253	35	160	170	175	220	320	30	16	-	KC70.9.023
-	-	-	-	-	-	-	-	-	-	-	-
-	-	-	-	-	-	-	-	-	-	-	-

P701C-**F**... Output flanges
flange di uscita



***Available output shaft / Alberi di uscita**

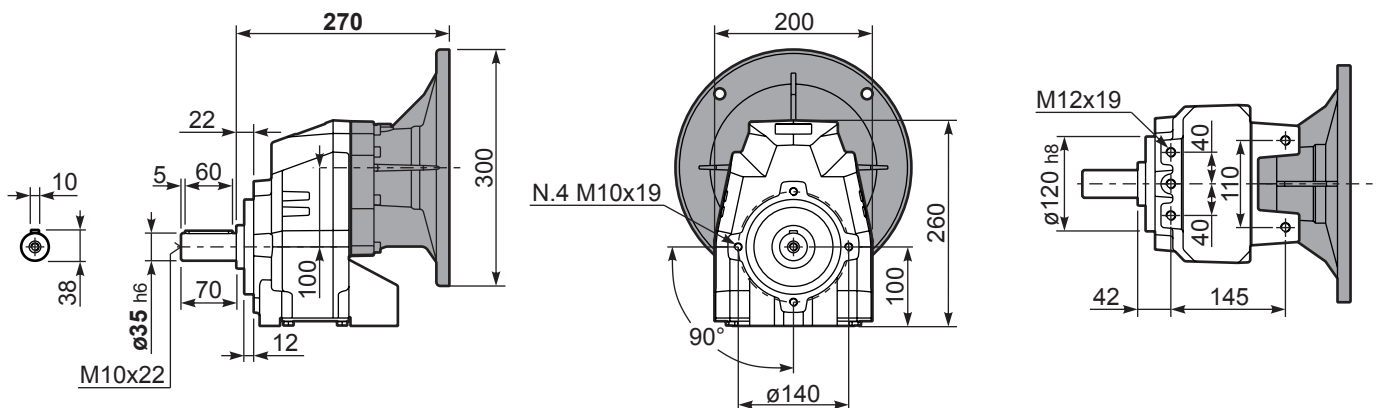
	Shaft - d1	p1	h1	x
Standard	ø 35x70	10	38	M10x22
On request A richiesta	ø 38x70	10	41	M10x25
	ø 40x80	12	43	M12x28

Available output flanges / flange di uscita

a1 ø	b1	c1	e1	f1	s1	kit code
200	130	11	165	3.5	11	KC70.9.012
250	180	13	215	4	14	KC70.9.013
-	-	-	-	-	-	-

With flange and feet only on request. Ask for compatibility

P701C-**N**... Basic gearbox
Riduttore base





QUICK SELECTION / Selezione veloce

input speed (n_1) = 1400 min⁻¹

Output Speed n_2 [min ⁻¹]	Ratio i	Motor power P_{1M} [kW]	Output torque M_{2M} [Nm]	Service factor f.s.	Nominal power P_{1R} [kW]	Nominal torque M_{2R} [Nm]	Available B5 motor flanges					Available B14 motor flanges				Output Shaft 	Ratios code	
							-C	-D	-E	-F	-G	-R	-T	-U	-V			
							71	80	90	100 112	132	80	90	100 112	132			
213	6.57	7.5	312	1.2	8.8	380	B										3018	01
185	7.56	7.5	358	1.1	7.9	390	B										3016	02
159	8.82	7.5	419	1.0	7.1	410	B										3014	03
113	12.39	7.5	588	1.0	7.2	580	B										2018	04
98	14.24	5.5	499	1.2	6.4	600	B										2016	05
84	16.75	5.5	587	1.1	6.1	665	B										1618	06
73	19.25	5.5	675	1.0	5.4	675	B										1616	07
64	21.78	4	558	1.2	4.7	675	B										1318	08
56	25.04	4	642	1.1	4.1	675	B										1316	09
47.9	29.23	4	750	0.9	3.5	675	B										1314	10
45.7	30.65	3	592	1.1	3.4	675	B										1116	11
39.1	35.78	3	691	1.0	2.9	675	B										1114	12
36.3	38.55	2.2	548	1.1	2.3	580	B										818	13
31.6	44.32	2.2	630	1.1	2.3	665	B										816	14
27.1	51.74	2.2	735	0.9	2.0	675	B										814	15
22.9	61.03	1.1	437	1.1	1.2	480	B										616	16
19.6	71.25	1.1	510	1.1	1.2	560	B										614	17

The dynamic efficiency is **0.96** for all ratios

A Motor Flanges Available
Flange Motore Disponibili

B Supplied with Reduction Bushing
Fornito con Bussola di Riduzione

B Available on Request without reduction bushing
Disponibile a Richiesta senza Bussola di Riduzione

C Motor Flange Holes Position
Posizione Fori Flangia Motore

EN Unit 702C is supplied with synthetic oil for lifetime lubrication, no maintenance is necessary. See table 1 for lubrication and recommended quantity. In table 2 please see possible radial loads and axial loads on the gearbox.

I Il riduttore 702C viene fornito completo di olio sintetico per la lubrificazione permanente e non necessita di alcuna manutenzione. Vedi tab.1 per oli e quantità consigliati. In tab.2 sono presenti i carichi radiali e assiali applicabili al riduttore.

D Das Getriebe 702C ist mit synthetischem Öl gefüllt und ist lebensdauergeschmiert. In Tabelle 1 ist die Schmiermenge und das empfohlene Schmiermittel angegeben. In Tabelle 2 sind die zulässigen Radial- und Axialbelastungen des Getriebes aufgeführt.

F Le réducteur 702C est fourni complet avec de l'huile synthétique pour la lubrification permanente et ne nécessite aucun entretien. Voir tableau 1 concernant les huiles et les quantités conseillées. Les charges radiales et axiales applicables au réducteur sont précisées dans le tableau 2.

E El reductor tamaño 702C se suministra, lubricado de por vida con aceite sintético y no requieren mantenimiento alguna. Ver tabla 1, para cantidades y aceites recomendados. En la tabla 2, se encuentran las cargas radiales y axiales admitidas por el reductor.

Standard supplied	For these mounting position specify in the order or add oil Per queste posizioni specificare in fase d'ordine o aggiungere olio					
B3	B6	B7	B8	V5	V6	V8
2.10 LT	1.40 LT	1.40 LT	1.30 LT	2.25 LT	1.60 LT	Ask
AGIP Telium VSF 320			SHELL Omala S4 WE 320			

For all details on lubrication and plugs check our website **tab. 1**
Per maggiori dettagli su lubrificazione e tappi olio vedi il nostro sito web

RADIAL AND AXIAL LOADS

Output shaft
Albero di uscita

$F_R(N)$
 $F_A(N)$

$F_{eq} = F_R \cdot \frac{70}{X+35}$
 $F_{eq}(N)$

n_2	FA	FR	n_2	FA	FR	n_2	FA	FR
300	680	3400	140	960	4800	70	1300	6500
250	760	3800	120	1040	5200	40	1460	7300
200	900	4500	85	1120	5600	15	1800	9000

On request reinforced bearings to increase loads.
A richiesta cuscinetti rinforzati per aumentare i carichi.

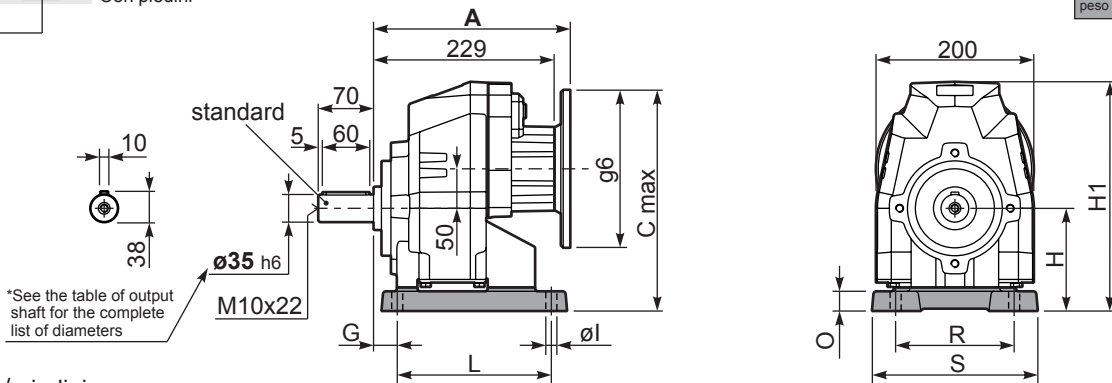
Input shaft
Albero di entrata

n_1	FA	FR
1400	400	2000
900	440	2200
500	440	2200

tab. 2

P702C**S6**... With feet
Con piedini

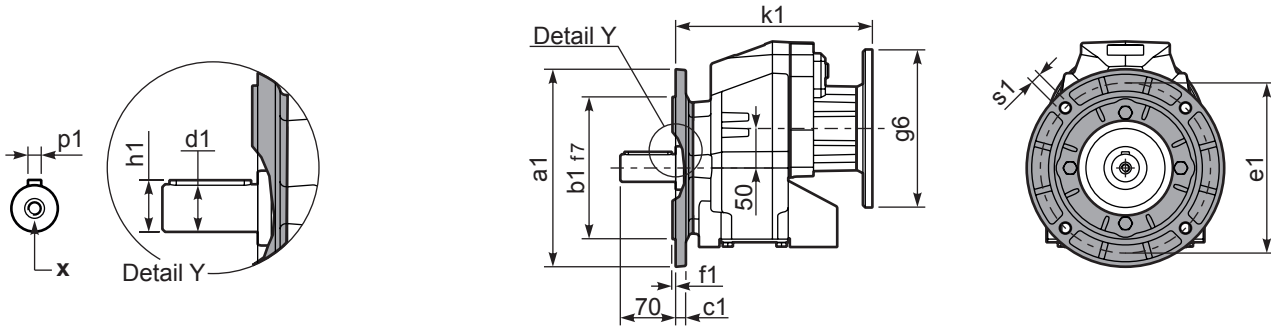
Gearbox weight **30.0 kg**
peso riduttore With flange
With feet **33.5 kg**



Feet / piedini

Feet Code	Market reference	G	H	R	L	S	H1	O	øl	B5 max. Flange	kit code
B4	412/3	19.5	130	180	149.5	216	290	25	14	-	KC70.9.022
S6	67	30	130	150	195	210	290	25	14	-	KC70.9.024
H5	025/253	35	160	170	175	220	320	30	16	-	KC70.9.023
-	-	-	-	-	-	-	-	-	-	-	-
-	-	-	-	-	-	-	-	-	-	-	-

P702C-**F**... Output flanges
flange di uscita



*Available output shaft / Albero di uscita

	Shaft - d1	p1	h1	x
Standard	ø 35x70	10	38	M10x22
On request A richiesta	ø 38x70	10	41	M10x25
	ø 40x80	12	43	M12x28

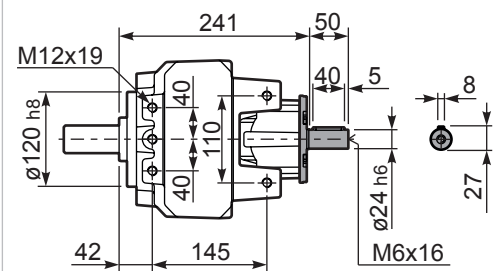
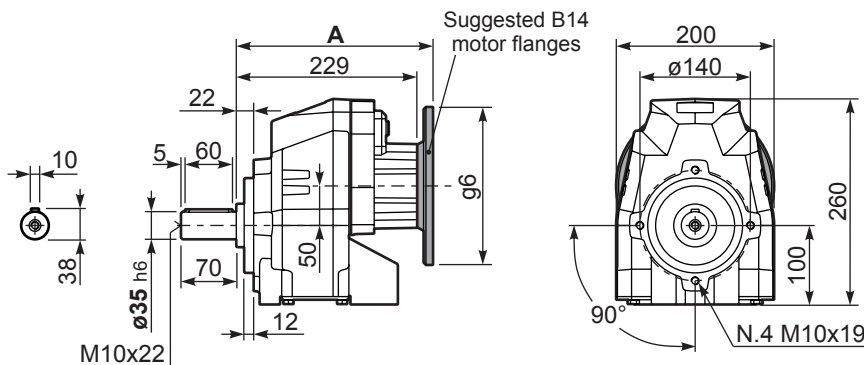
Available output flanges / flange di uscita

a1 ø	b1	c1	e1	f1	s1	kit code
200	130	11	165	3.5	11	KC70.9.012
250	180	13	215	4	14	KC70.9.013
-	-	-	-	-	-	-

With flange and feet only on request. Ask for compatibility

P702C-**N**... Basic gearbox
Riduttore base

R702C-**N**... Input Shaft
Albero in entrata



B5 Motor Flanges	A	C _{max}	g6	k1	kit code
71 B5	247.5	290	160	247.5	K023.4.041
80/90 B5	249.5	310	200	249.5	K023.4.042
100/112 B5	258.5	335	250	258.5	K023.4.043
132 B5	276.5	360	300	276.5	KC50.4.043

B14 Motor Flanges	A	C _{max}	g6	k1	kit code
80 B14	249.5	270	120	249.5	K085.4.046
90 B14	249.5	280	140	249.5	K085.4.045
100/112 B14	258.5	290	160	258.5	K085.4.047
132 B14	276.5	310	200	276.5	KC50.4.041



QUICK SELECTION / Selezione veloce

input speed (n₁) = 1400 min⁻¹

Output Speed n ₂ [min ⁻¹]	Ratio i	Motor power P _{1M} [kW]	Output torque M _{2M} [Nm]	Service factor f.s.	Nominal power P _{1R} [kW]	Nominal torque M _{2R} [Nm]	Available B5 motor flanges				Available B14 motor flanges			Output Shaft 	Ratios code
							-B	-C	-D	-E	-Q	-R	-T		
							63	71	80	90	71	80	90		
22.6	61.89	1.5	594	1.1	1.7	675	B				C	C		191318	01
19.7	71.16	1.5	683	1.0	1.5	675	B				C	C		191316	02
17.0	82.48	1.5	792	0.9	1.3	675	B				C	C		171316	03
14.5	96.29	1.1	675	1.0	1.1	675	B				C	C		171314	04
13.9	100.51	1.1	705	1.0	1.0	675	B				C	C		131318	05
12.1	115.56	0.75	556	1.2	0.91	675	B				C	C		131316	06
11.1	125.96	0.75	606	1.1	0.82	665	B				C	C		190816	07
10.4	134.91	0.75	649	1.0	0.78	675	B				C	C		131314	08
9.5	147.05	0.75	707	1.0	0.72	675	B				C	C		190814	09
8.2	170.44	0.55	605	1.1	0.62	675	B				C	C		170814	10
7.6	184.15	0.55	653	1.0	0.57	675	B				C	C		101314	11
6.8	205.87	0.55	730	0.9	0.51	675	B				C	C		91316	12
5.8	240.34	0.37	570	1.2	0.44	675	B				C	C		91314	13
5.0	279.22	0.37	662	1.0	0.37	665	B				C	C		100816	14
4.3	325.97	0.37	773	0.9	0.32	675	B				C	C		100814	15
3.8	364.41	0.25	583	1.1	0.28	665	B				C	C		90816	16
3.3	425.43	0.25	681	1.0	0.25	675	B				C	C		90814	17
2.9	481.19	0.18	589	1.1	0.22	665	B				C	C		70816	18
2.5	561.76	0.18	687	1.0	0.19	675	B				C	C		70814	19

The dynamic efficiency is **0.94** for all ratios

Motor Flanges Available
Flange Motore Disponibili

B) Supplied with Reduction Bushing
Fornito con Bussola di Riduzione

B) Available on Request without reduction bushing
Disponibile a Richiesta senza Bussola di Riduzione

C) Motor Flange Holes Position
Posizione Fori Flangia Motore

EN Unit **703C** is supplied with synthetic oil for lifetime lubrication, no maintenance is necessary. See table 1 for lubrication and recommended quantity. In table 2 please see possible radial loads and axial loads on the gearbox.

I Il riduttore **703C** viene fornito completo di olio sintetico per la lubrificazione permanente e non necessita di alcuna manutenzione. Vedi tab.1 per oli e quantità consigliati. In tab.2 sono presenti i carichi radiali e assiali applicabili al riduttore.

D Das Getriebe **703C** ist mit synthetischem Öl gefüllt und ist lebensdauergeschmiert. In Tabelle 1 ist die Schmiermenge und das empfohlene Schmiermittel angegeben. In Tabelle 2 sind die zulässigen Radial - und Axialbelastungen des Getriebes aufgeführt.

F Le réducteur **703C** est fourni complet avec de l'huile synthétique pour la lubrification permanente et ne nécessite aucun entretien. Voir tableau 1 concernant les huiles et les quantités conseillées. Les charges radiales et axiales applicables au réducteur sont précisées dans le tableau 2.

E El reductor tamaño **703C** se suministra, lubricado de por vida con aceite sintético y no requieren mantenimiento alguna. Ver tabla 1, para cantidades y aceites recomendados. En la tabla 2, se encuentran las cargas radiales y axiales admitidas por el reductor.

Standard supplied	For these mounting position specify in the order or add oil					
	Per queste posizioni specificare in fase d'ordine o aggiungere olio					
B3	B6	B7	B8	V5	V6	V8
2.20 LT	1.40 LT	1.40 LT	1.30 LT	2.40 LT	1.70 LT	Ask
AGIP Telium VSF 320			SHELL Omala S4 WE 320			

For all details on lubrication and plugs check our website **tab. 1**
Per maggiori dettagli su lubrificazione e tappi olio vedi il nostro sito web

RADIAL AND AXIAL LOADS

Output shaft
Albero di uscita

$F_{eq} = F_R \cdot \frac{70}{X+35}$

$F_{eq} (N)$

n ₂	FA	FR	n ₂	FA	FR	n ₂	FA	FR
300	680	3400	140	960	4800	70	1300	6500
250	760	3800	120	1040	5200	40	1460	7300
200	900	4500	85	1120	5600	15	1800	9000

On request reinforced bearings to increase loads.
A richiesta cuscinetti rinforzati per aumentare i carichi.

Input shaft
Albero in entrata

$F_R (N)$

$F_A (N)$

n ₁	FA	FR
1400	240	1200
900	280	1400
500	310	1700

tab. 2



QUICK SELECTION / Selezione veloce

input speed (n_1) = 1400 min⁻¹

Output Speed n_2 [min ⁻¹]	Ratio i	Motor power P_{1M} [kW]	Output torque M_{2M} [Nm]	Service factor f.s.	Nominal power P_{1R} [kW]	Nominal torque M_{2R} [Nm]	Available B5 motor flanges				B14 motor flanges				Output Shaft				
							-G				-								
227	6.17	9	371	1.2	10.9	450	not available				not available				18111	standard	01		
198	7.06	9	425	1.4	12.7	600									16113	ø40	02		
170	8.21	9	494	1.4	12.2	670									14115	ø50	03		
										On request									

The dynamic efficiency is **0.98** for all ratios

A) Motor Flanges Available
Flange Motore Disponibili

B) Supplied with Reduction Bushing
Fornito con Bussola di Riduzione

B) Available on Request without reduction bushing
Disponibile a Richiesta senza Bussola di Riduzione

C) Motor Flange Holes Position
Posizione Fori Flangia Motore

EN Unit **801C** is supplied without lubricant and equipped with a breather, level and drain plugs. User can add mineral oil keeping existing plugs. Should the user wish to fill it with synthetic oil, it is recommended to replace the existing plugs with a closed plug.
See table 1 for lubrication and recommended quantity. In table 2 please see possible radial loads and axial loads on the gearbox.

I Il riduttore tipo **801C** è fornito privo di lubrificazione con tappi di sfiato, livello e scarico olio. L'utente può immettere olio minerale mantenendo i tappi esistenti. Se immetterà olio sintetico, dovrà sostituire i tappi esistenti con altri tipo chiuso.
Tab.1 per oli e quantità consigliati.
Tab.2 carichi radiali e assiali applicabili al riduttore.

D Das Getriebe der Baugröße **801C** wird ohne Schmiermittel geliefert. Es ist jedoch mit Einfüllschraube, Überdruckventil und Ablassschraube ausgerüstet. Das benötigte mineralische Öl kann über die Einfüllschraube eingefüllt werden. Sollte synthetisches Öl bevorzugt werden, so ist sind das eingebaute Überdruckventil durch eine geschlossenen Schraube zu ersetzen.
In Tabelle 1 ist die Schmiermenge und das empfohlene Schmiermittel angegeben
In Tabelle 2 sind die zulässigen Radial - und Axialbelastungen des Getriebes aufgeführt.

F Le réducteur de type **801C** est fourni sans lubrification et avec un bouchon de remplissage, de niveau et d'évacuation de l'huile. L'utilisateur peut y verser de l'huile minérale en conservant les bouchons existants. S'il y versera de l'huile synthétique, il devra substituer les bouchons existants avec d'autres bouchons de type fermé.
Voir tableau 1 concernant les huiles et les quantités conseillées.
Voir tableau 2 concernant les charges radiales et axiales applicables au réducteur

E El reductor tamaño **801C** se suministra sin lubricante, provisto de tapones de respiración, nivel y descarga de aceite. El usuario puede utilizar aceite mineral, manteniendo los tapones existentes. Si prefiere utilizar aceite sintético deberá sustituir los tapones existentes por tapones ciegos. La prerreducción se suministra con tapones ciegos, lubricado de por vida con aceite sintético. Ver tabla 1, para cantidades y aceites recomendados. En la tabla 2, se encuentran las cargas radiales y axiales admitidas por el reductor.

B3	B6	B7	B8	V5	V6	V8
3.20 LT	1.90 LT	1.90 LT	1.55 LT	3.20 LT	2.20 LT	Ask
AGIP Blasias 460						

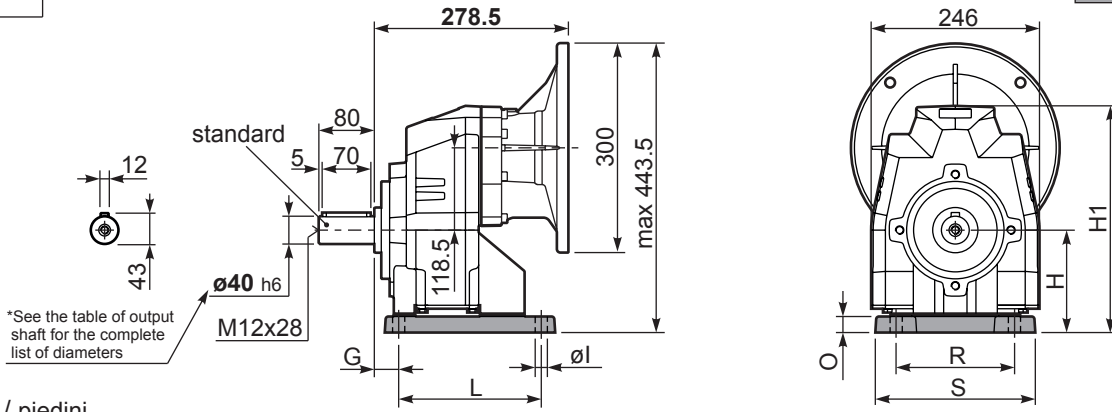
For all details on lubrication and plugs check our website **tab. 1**
Per maggiori dettagli su lubrificazione e tappi olio vedi il nostro sito web

RADIAL AND AXIAL LOADS								
Output shaft Albero di uscita			$F_{eq} = F_R \cdot \frac{80.5}{X+40.5}$					
n_2	FA	FR	n_2	FA	FR	n_2	FA	FR
300	1200	6000	140	1600	8000	70	2200	11000
250	1400	7000	120	1800	9000	40	2600	13000
200	1500	7500	85	2000	10000	15	3000	15000
On request reinforced bearings to increase loads. A richiesta cuscinetti rinforzati per aumentare i carichi.								

tab. 2

P801C**S7**... With feet
Con piedini

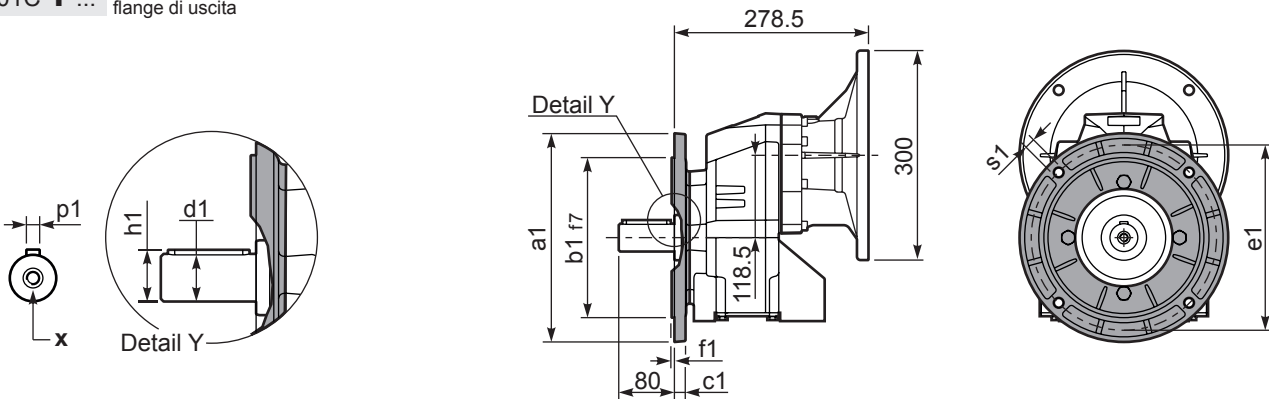
Gearbox weight
peso riduttore With flange **45.5 kg**
With feet **49.5 kg**



Feet / piedini

Feet Code	Market reference	G	H	R	L	S	H1	O	øI	B5 max. Flange	kit code
B5	512/3	25	155	225	156	270	333.5	30	18	-	KC80.9.022
S7	77	35	140	170	205	230	318.5	18	17.5	-	KC80.9.024
H6	026/263	40	175	215	215	265	353.5	30	16	-	KC80.9.023
-	-	-	-	-	-	-	-	-	-	-	-
-	-	-	-	-	-	-	-	-	-	-	-

P801C**F**... Output flanges
flange di uscita



*Available output shaft / Alberi di uscita

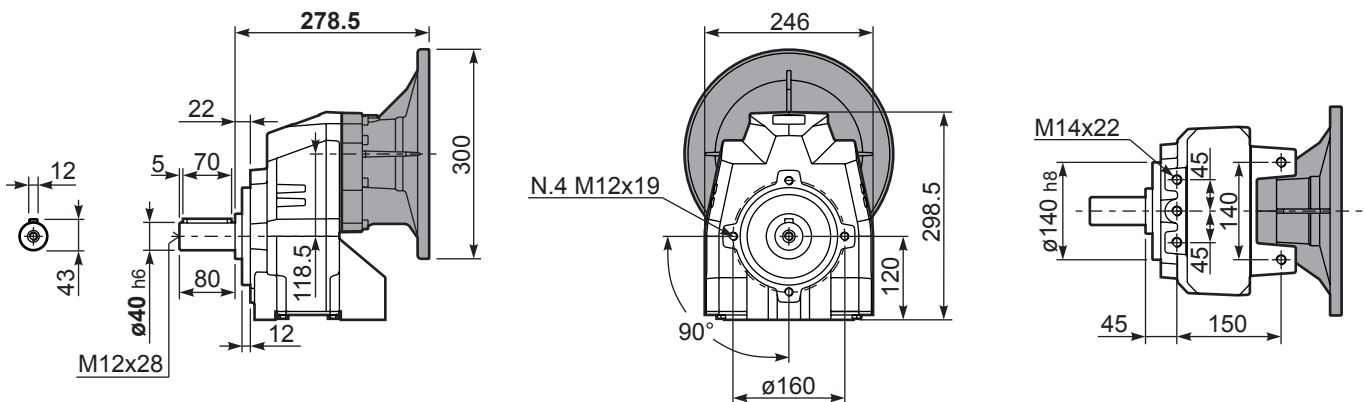
	Shaft - d1	p1	h1	x
Standard	ø 40x80	12	43	M12x28
On request A richiesta	ø 50x100	14	53.5	M16x36
-	-	-	-	-

Available output flanges / flange di uscita

a1 ø	b1	c1	e1	f1	s1	kit code
250	180	13	215	4	14	KC80.9.013
300	230	16	265	4	14	KC80.9.014
-	-	-	-	-	-	-

With flange and feet only on request. Ask for compatibility

P801C**N**... Basic gearbox
Riduttore base





QUICK SELECTION / Selezione veloce

input speed (n_1) = 1400 min⁻¹

Output Speed n_2 [min ⁻¹]	Ratio i	Motor power P_{1M} [kW]	Output torque M_{2M} [Nm]	Service factor $f.s.$	Nominal power P_{1R} [kW]	Nominal torque M_{2R} [Nm]	Available B5 motor flanges					Available B14 motor flanges				Output Shaft 	Ratios code
							-C	-D	-E	-F	-G	-R	-T	-U	-V		
							71	80	90	100 112	132	80	90	100 112	132		
175	8.02	9	473	1.1	9.9	520	B									3018	01
152	9.18	9	541	1.1	9.8	590	B									3016	02
131	10.68	9	630	1.1	9.7	680	B									3014	03
93	15.11	7.5	717	1.1	7.8	775	B									2018	04
81	17.30	7.5	821	1.1	7.8	885	B									2016	05
70	20.13	7.5	955	0.9	6.8	900	B									2014	06
60	23.39	5.5	820	1.1	5.9	900	B									1616	07
51	27.21	5.5	954	0.9	5.1	900	B									1614	08
46.0	30.42	4	780	1.2	4.5	900	B									1316	09
39.6	35.38	4	907	1.0	3.9	900	B									1314	10
37.6	37.24	3	719	1.2	3.7	895	B									1116	11
32.3	43.31	3	836	1.1	3.2	900	B									1114	12
29.8	47.02	2.2	668	1.1	2.3	705	B									818	13
26.0	53.85	2.2	765	1.1	2.3	810	B									816	14
22.4	62.63	2.2	890	1.0	2.2	900	B									814	15
18.9	74.16	1.1	531	1.1	1.2	585	B									616	16
16.2	86.25	1.1	617	1.1	1.2	680	B									614	17

The dynamic efficiency is **0.96** for all ratios

Motor Flanges Available
Flange Motore Disponibili

B) Supplied with Reduction Bushing
Fornito con Bussola di Riduzione

B) Available on Request without reduction bushing
Disponibile a Richiesta senza Bussola di Riduzione

C) Motor Flange Holes Position
Posizione Fori Flangia Motore

EN Unit **802C** is supplied without lubricant and equipped with a breather, level and drain plugs. User can add mineral oil keeping existing plugs. Should the user wish to fill it with synthetic oil, it is recommended to replace the existing plugs with a closed plug.
See table 1 for lubrication and recommended quantity. In table 2 please see possible radial loads and axial loads on the gearbox.

I Il riduttore tipo **802C** è fornito privo di lubrificazione con tappi di sfiato, livello e scarico olio. L'utente può immettere olio minerale mantenendo i tappi esistenti. Se immetterà olio sintetico, dovrà sostituire i tappi esistenti con altri tipo chiuso.
Tab.1 per oli e quantità consigliati.
Tab.2 carichi radiali e assiali applicabili al riduttore.

D Das Getriebe der Baugröße **802C** wird ohne Schmiermittel geliefert. Es ist jedoch mit Einfüllschraube, Überdruckventil und Ablassschraube ausgerüstet. Das benötigte mineralische Öl kann über die Einfüllschraube eingefüllt werden. Sollte synthetisches Öl bevorzugt werden, so ist das eingebaute Überdruckventil durch eine geschlossenen Schraube zu ersetzen.
In Tabelle 1 ist die Schmiermenge und das empfohlene Schmiermittel angegeben
In Tabelle 2 sind die zulässigen Radial - und Axialbelastungen des Getriebes aufgeführt.

F Le réducteur de type **802C** est fourni sans lubrification et avec un bouchon de remplissage, de niveau et d'évacuation de l'huile. L'utilisateur peut y verser de l'huile minérale en conservant les bouchons existants. S'il y versera de l'huile synthétique, il devra substituer les bouchons existants avec d'autres bouchons de type fermé.
Voir tableau 1 concernant les huiles et les quantités conseillées.
Voir tableau 2 concernant les charges radiales et axiales applicables au réducteur

E El reductor tamaño **802C** se suministra sin lubricante, provisto de tapones de respiración, nivel y descarga de aceite. El usuario puede utilizar aceite mineral, manteniendo los tapones existentes. Si prefiere utilizar aceite sintético deberá sustituir los tapones existentes por tapones ciegos. La prerreducción se suministra con tapones ciegos, lubricado de por vida con aceite sintético.
Ver tabla 1, para cantidades y aceites recomendados.
En la tabla 2, se encuentran las cargas radiales y axiales admitidas por el reductor.

3.20 LT	1.90 LT	1.90 LT	1.55 LT	3.20 LT	2.20 LT	Ask

AGIP Blasias 460

For all details on lubrication and plugs check our website **tab. 1**
Per maggiori dettagli su lubrificazione e tappi olio vedi il nostro sito web

RADIAL AND AXIAL LOADS

Output shaft
Albero di uscita

$F_R (N)$
 $F_A (N)$

$F_{eq} = F_R \cdot \frac{80.5}{X+40.5}$

$F_{eq} (N)$

n_2	FA	FR	n_2	FA	FR	n_2	FA	FR
300	1200	6000	140	1600	8000	70	2200	11000
250	1400	7000	120	1800	9000	40	2600	13000
200	1500	7500	85	2000	10000	15	3000	15000

On request reinforced bearings to increase loads.
A richiesta cuscinetti rinforzati per aumentare i carichi.

Input shaft
Albero in entrata

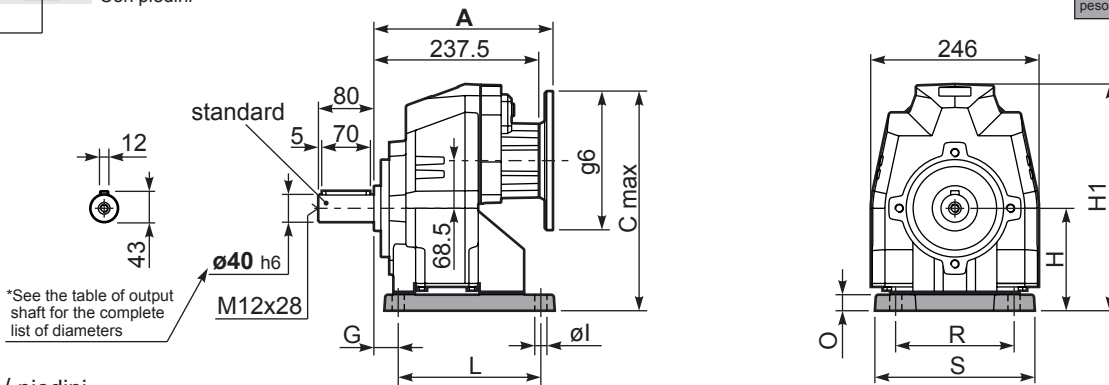
$F_R (N)$
 $F_A (N)$

n_1	FA	FR
1400	450	2250
900	500	2500
500	600	3000

tab. 2

P802C**S7** ... With feet
Con piedini

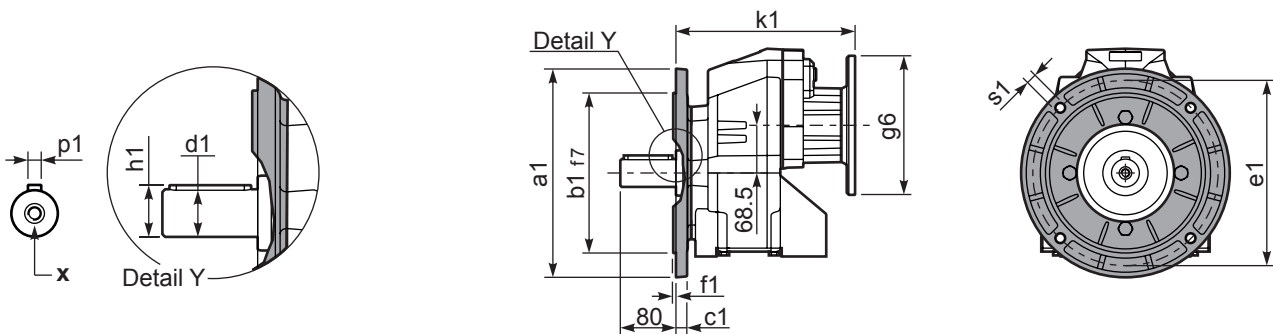
Gearbox weight **39.5 kg**
peso riduttore With flange
With feet **43.5 kg**



Feet / piedini

Feet Code	Market reference	G	H	R	L	S	H1	O	øl	B5 max. Flange	kit code
B5	512/3	25	155	225	156	270	333.5	30	18	-	KC80.9.022
S7	77	35	140	170	205	230	318.5	18	17.5	-	KC80.9.024
H6	026/263	40	175	215	215	265	353.5	30	16	-	KC80.9.023
-	-	-	-	-	-	-	-	-	-	-	-
-	-	-	-	-	-	-	-	-	-	-	-

P802C-**F** ... Output flanges
flange di uscita



*Available output shaft / Albero di uscita

	Shaft - d1	p1	h1	x
Standard	ø 40x80	12	43	M12x28
On request A richiesta	ø 50x100	14	53.5	M16x36
-	-	-	-	-

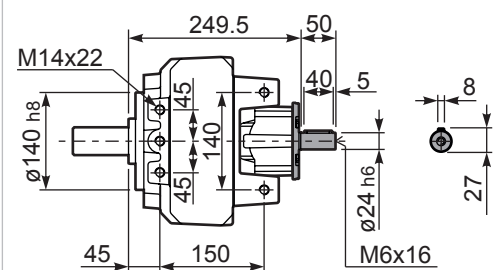
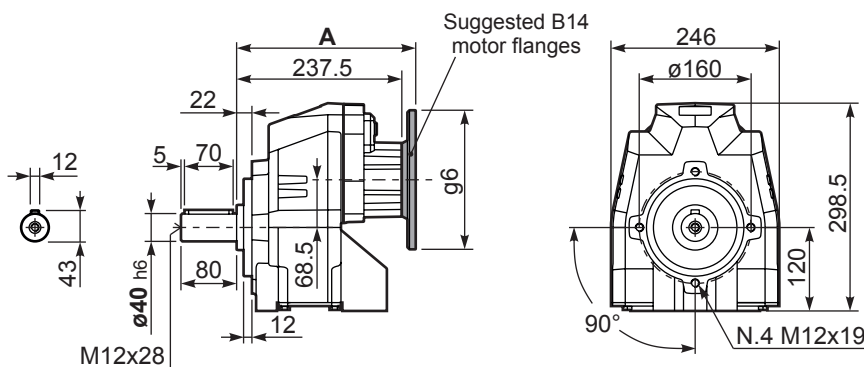
Available output flanges / flange di uscita

a1 ø	b1	c1	e1	f1	s1	kit code
250	180	13	215	4	14	KC80.9.013
300	230	16	265	4	14	KC80.9.014
-	-	-	-	-	-	-

With flange and feet only on request. Ask for compatibility

P802C-**N** ... Basic gearbox
Riduttore base

R802C-**N** ... Input Shaft
Albero in entrata



B5 Motor Flanges	A	C _{max}	g6	k1	kit code
71 B5	256	323.5	160	256	K023.4.041
80/90 B5	258	343.5	200	258	K023.4.042
100/112 B5	267	368.5	250	267	K023.4.043
132 B5	285	393.5	300	285	KC50.4.043

B14 Motor Flanges	A	C _{max}	g6	k1	kit code
80 B14	258	303.5	120	258	K085.4.046
90 B14	258	313.5	140	258	K085.4.045
100/112 B14	267	323.5	160	267	K085.4.047
132 B14	285	343.5	200	285	KC50.4.041



QUICK SELECTION / Selezione veloce

input speed (n_1) = 1400 min⁻¹

Output Speed n_2 [min ⁻¹]	Ratio i	Motor power P_{1M} [kW]	Output torque M_{2M} [Nm]	Service factor f.s.	Nominal power P_{1R} [kW]	Nominal torque M_{2R} [Nm]	Available B5 motor flanges				Available B14 motor flanges			Output Shaft \varnothing	Ratios code
							-B	-C	-D	-E	-Q	-R	-T		
							63	71	80	90	71	80	90		
18.5	75.50	1.5	725	1.1	1.7	825	B				C	C		191318	01
16.2	86.47	1.5	830	1.1	1.6	900	B				C	C		191316	02
14.0	100.22	1.5	962	0.9	1.4	900	B				C	C		171316	03
12.0	116.56	1.1	817	1.1	1.2	900	B				C	C		171314	04
10.2	136.82	1.1	959	0.9	1.0	900	B				C	C		151314	05
9.1	153.05	0.75	736	1.1	0.83	810	B				C	C		190816	06
8.6	163.31	0.75	785	1.1	0.86	900	B				C	C		131314	07
7.9	178.01	0.75	856	1.1	0.79	900	B				C	C		190814	08
7.3	191.67	0.75	922	1.0	0.73	900	B				C	C		101316	09
6.8	206.32	0.75	992	0.9	0.68	900	B				C	C		170814	10
6.3	222.92	0.55	791	1.1	0.63	900	B				C	C		101314	11
5.8	242.18	0.55	859	1.0	0.58	900	B				C	C		150814	12
5.6	250.15	0.55	888	1.0	0.56	900	B				C	C		91316	13
4.8	289.08	0.55	1026	0.9	0.49	900	B				C	C		130814	14
4.2	330.31	0.37	783	1.1	0.42	890	B				C	C		71316	15
3.5	394.59	0.37	936	1.0	0.36	900	B				C	C		100814	16
2.7	514.99	0.25	824	1.1	0.27	900	B				C	C		90814	17
2.1	680.03	0.18	832	1.1	0.21	900	B				C	C		70814	18

The dynamic efficiency is **0.94** for all ratios

Motor Flanges Available Flange Motore Disponibili B) Supplied with Reduction Bushing Fornito con Bussola di Riduzione B) Available on Request without reduction bushing Disponibile a Richiesta senza Bussola di Riduzione C) Motor Flange Holes Position Posizione Fori Flangia Motore

EN Unit **803C** is supplied without lubricant and equipped with a breather, level and drain plugs. User can add mineral oil keeping existing plugs. Should the user wish to fill it with synthetic oil, it is recommended to replace the existing plugs with a closed plug. See table 1 for lubrication and recommended quantity. In table 2 please see possible radial loads and axial loads on the gearbox.

I Il riduttore tipo **803C** è fornito privo di lubrificazione con tappi di sfiato, livello e scarico olio. L'utente può immettere olio minerale mantenendo i tappi esistenti. Se immetterà olio sintetico, dovrà sostituire i tappi esistenti con altri tipo chiuso. Tab.1 per oli e quantità consigliati. Tab.2 carichi radiali e assiali applicabili al riduttore.

D Das Getriebe der Baugröße **803C** wird ohne Schmiermittel geliefert. Es ist jedoch mit Einfüllschraube, Überdruckventil und Ablassschraube ausgerüstet. Das benötigte mineralische Öl kann über die Einfüllschraube eingefüllt werden. Sollte synthetisches Öl bevorzugt werden, so ist sind das eingebaute Überdruckventil durch eine geschlossenen Schraube zu ersetzen. In Tabelle 1 ist die Schmiermenge und das empfohlene Schmiermittel angegeben. In Tabelle 2 sind die zulässigen Radial - und Axialbelastungen des Getriebes aufgeführt.

F Le réducteur de type **803C** est fourni sans lubrification et avec un bouchon de remplissage, de niveau et d'évacuation de l'huile. L'utilisateur peut y verser de l'huile minérale en conservant les bouchons existants. S'il y versera de l'huile synthétique, il devra substituer les bouchons existants avec d'autres bouchons de type fermé. Voir tableau 1 concernant les huiles et les quantités conseillées. Voir tableau 2 concernant les charges radiales et axiales applicables au réducteur.

E El reductor tamaño **803C** se suministra sin lubricante, provisto de tapones de respiración, nivel y descarga de aceite. El usuario puede utilizar aceite mineral, manteniendo los tapones existentes. Si prefiere utilizar aceite sintético deberá sustituir los tapones existentes por tapones ciegos. La prerreducción se suministra con tapones ciegos, lubricado de por vida con aceite sintético. Ver tabla 1, para cantidades y aceites recomendados. En la tabla 2, se encuentran las cargas radiales y axiales admitidas por el reductor.

B3	B6	B7	B8	V5	V6	V8
3.30 LT	1.90 LT	1.90 LT	1.55 LT	3.40 LT	2.30 LT	Ask

AGIP Blasias 460

For all details on lubrication and plugs check our website [tab. 1](#)
Per maggiori dettagli su lubrificazione e tappi olio vedi il nostro sito web

RADIAL AND AXIAL LOADS

Output shaft
Albero di uscita

F_R (N)
 F_A (N)

$F_{eq} = F_R \cdot \frac{80.5}{X+40.5}$

F_{eq} (N)

n_2	FA	FR	n_2	FA	FR	n_2	FA	FR
300	1200	6000	140	1600	8000	70	2200	11000
250	1400	7000	120	1800	9000	40	2600	13000
200	1500	7500	85	2000	10000	15	3000	15000

On request reinforced bearings to increase loads.
A richiesta cuscinetti rinforzati per aumentare i carichi.

Input shaft
Albero in entrata

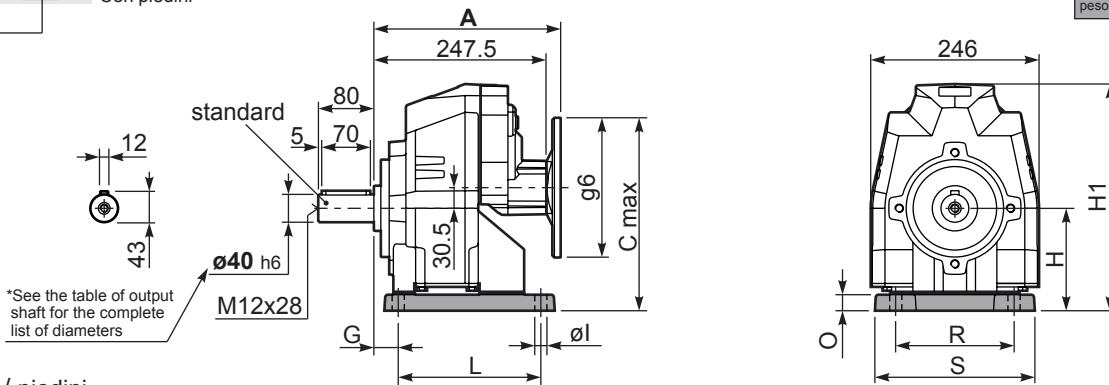
F_R (N)
 F_A (N)

n_1	FA	FR
1400	400	2000
900	440	2200
500	440	2200

tab. 2

P803C**S7** ... With feet
Con piedini

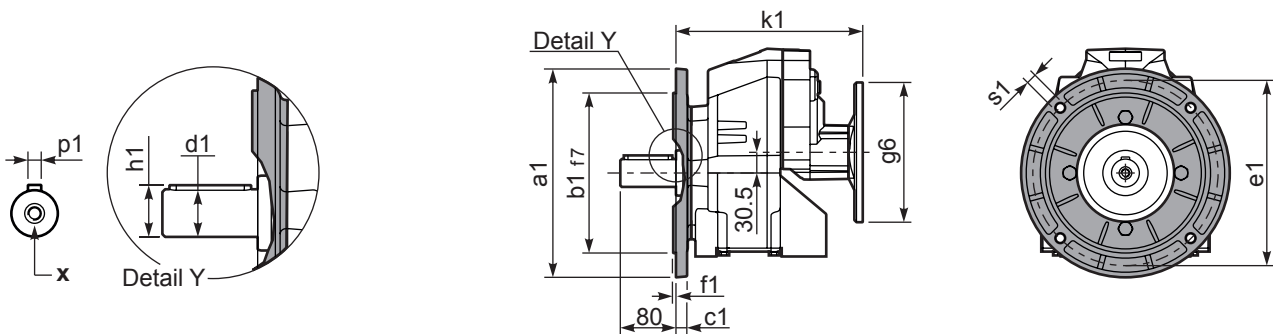
Gearbox weight **39.5 kg**
peso riduttore With flange
With feet **43.5 kg**



Feet / piedini

Feet Code	Market reference	G	H	R	L	S	H1	O	øl	B5 max. Flange	kit code
B5	512/3	25	155	225	156	270	333.5	30	18	-	KC80.9.022
S7	77	35	140	170	205	230	318.5	18	17.5	-	KC80.9.024
H6	026/263	40	175	215	215	265	353.5	30	16	-	KC80.9.023
-	-	-	-	-	-	-	-	-	-	-	-
-	-	-	-	-	-	-	-	-	-	-	-

P803C-**F** ... Output flanges
flange di uscita



*Available output shaft / Albero di uscita

	Shaft - d1	p1	h1	x
Standard	ø 40x80	12	43	M12x28
On request A richiesta	ø 50x100	14	53.5	M16x36
-	-	-	-	-

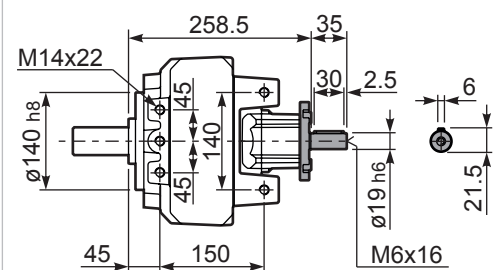
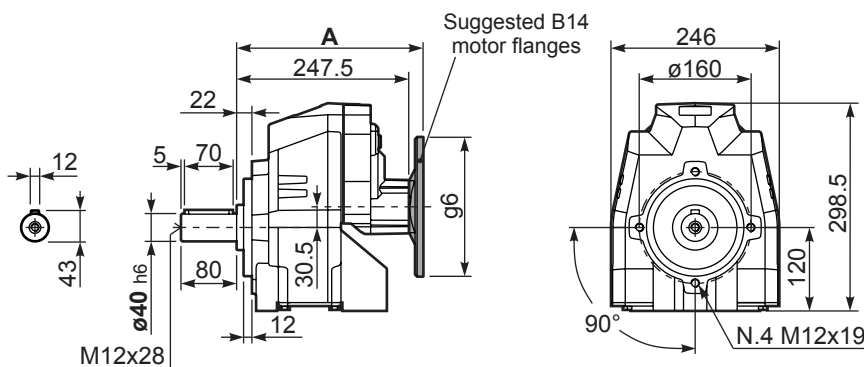
Available output flanges / flange di uscita

a1 ø	b1	c1	e1	f1	s1	kit code
250	180	13	215	4	14	KC80.9.013
300	230	16	265	4	14	KC80.9.014
-	-	-	-	-	-	-

With flange and feet only on request. Ask for compatibility

P803C-**N**... Basic gearbox
Riduttore base

R803C-**N**... Input Shaft
Albero in entrata



B5 Motor Flanges	A	C _{max}	g6	k1	kit code
63 B5	268	275.5	140	268	K063.4.041
71 B5	266	285.5	160	266	K063.4.042
80/90 B5	268	305.5	200	268	K063.4.043

B14 Motor Flanges	A	C _{max}	g6	k1	kit code
71 B14	266	258	105	266	K063.4.047
80 B14	268	265.5	120	268	K063.4.046
90 B14	268	275.5	140	268	K063.4.041



QUICK SELECTION / Selezione veloce

input speed (n_1) = 1400 min⁻¹

Output Speed n_2 [min ⁻¹]	Ratio i	Motor power P_{1M} [kW]	Output torque M_{2M} [Nm]	Service factor f.s.	Nominal power P_{1R} [kW]	Nominal torque M_{2R} [Nm]	Available B5 motor flanges		B14 motor flanges				Output Shaft 	Ratios code 	
							-H	-I	-	-	-	-			
							160	180	-	-	-	-			
412	3.40	22	480	1.3	26.4	600			not available				1551	standard	01
343	4.08	22	575	1.2	25.7	700			not available				1353	ø50	02
285	4.91	22	693	1.0	21.3	700			not available				1154	ø60	03
The dynamic efficiency is 0.98 for all ratios													On request		

A Motor Flanges Available
Flange Motore Disponibili

B Supplied with Reduction Bushing
Fornito con Bussola di Riduzione

B Available on Request without reduction bushing
Disponibile a Richiesta senza Bussola di Riduzione

C Motor Flange Holes Position
Posizione Fori Flangia Motore

EN Unit **851C** is supplied without lubricant and equipped with a breather, level and drain plugs. User can add mineral oil keeping existing plugs. Should the user wish to fill it with synthetic oil, it is recommended to replace the existing plugs with a closed plug. See table 1 for lubrication and recommended quantity. In table 2 please see possible radial loads and axial loads on the gearbox.

I Il riduttore tipo **851C** è fornito privo di lubrificazione con tappi di sfiato, livello e scarico olio. L'utente può immettere olio minerale mantenendo i tappi esistenti. Se immetterà olio sintetico, dovrà sostituire i tappi esistenti con altri tipo chiuso. Tab.1 per oli e quantità consigliati. Tab.2 carichi radiali e assiali applicabili al riduttore.

D Das Getriebe der Baugröße **851C** wird ohne Schmiermittel geliefert. Es ist jedoch mit Einfüllschraube, Überdruckventil und Ablassschraube ausgerüstet. Das benötigte mineralische Öl kann über die Einfüllschraube eingefüllt werden. Sollte synthetisches Öl bevorzugt werden, so ist sind das eingebaute Überdruckventil durch eine geschlossenen Schraube zu ersetzen. In Tabelle 1 ist die Schmiermenge und das empfohlene Schmiermittel angegeben. In Tabelle 2 sind die zulässigen Radial - und Axialbelastungen des Getriebes aufgeführt.

F Le réducteur de type **851C** est fourni sans lubrification et avec un bouchon de remplissage, de niveau et d'évacuation de l'huile. L'utilisateur peut y verser de l'huile minérale en conservant les bouchons existants. S'il y versera de l'huile synthétique, il devra substituer les bouchons existants avec d'autres bouchons de type fermé. Voir tableau 1 concernant les huiles et les quantités conseillées. Voir tableau 2 concernant les charges radiales et axiales applicables au réducteur

E El reductor tamaño **851C** se suministra sin lubricante, provisto de tapones de respiración, nivel y descarga de aceite. El usuario puede utilizar aceite mineral, manteniendo los tapones existentes. Si prefiere utilizar aceite sintético deberá sustituir los tapones existentes por tapones ciegos. La prerreducción se suministra con tapones ciegos, lubricado de por vida con aceite sintético. Ver tabla 1, para cantidades y aceites recomendados. En la tabla 2, se encuentran las cargas radiales y axiales admitidas por el reductor.

B3	B6	B7	B8	V5	V6	V8
5.30 LT	3.60 LT	3.60 LT	2.80 LT	5.80 LT	4.10 LT	Ask
AGIP Blasias 460						

For all details on lubrication and plugs check our website **tab. 1**
Per maggiori dettagli su lubrificazione e tappi olio vedi il nostro sito web

RADIAL AND AXIAL LOADS

Output shaft
Albero di uscita

$F_{eq} = FR \cdot \frac{88.5}{X+38.5}$

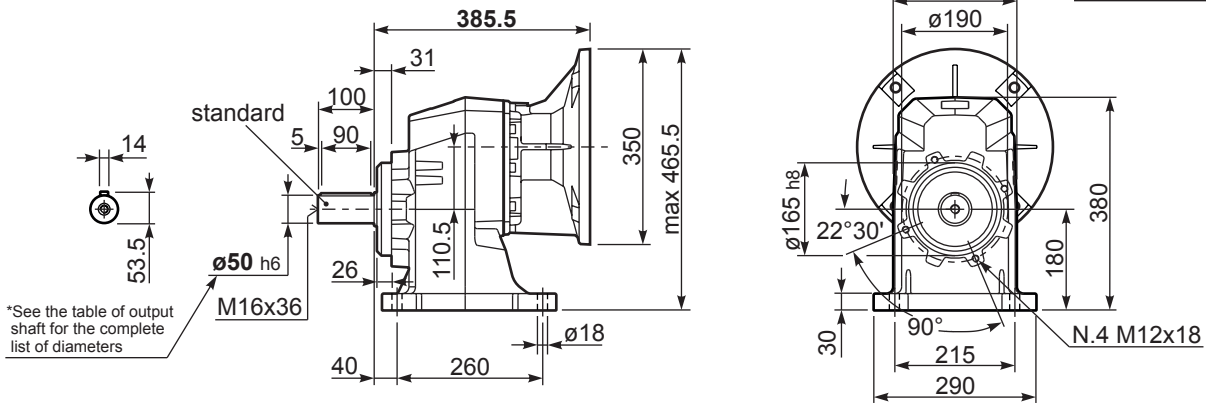
n_2	FA	FR	n_2	FA	FR	n_2	FA	FR
300	1800	9000	140	2400	12000	70	3000	15000
250	2000	10000	120	2600	13000	40	3200	16000
200	2200	11000	85	2800	14000	15	4000	20000

On request reinforced bearings to increase loads.
A richiesta cuscinetti rinforzati per aumentare i carichi.

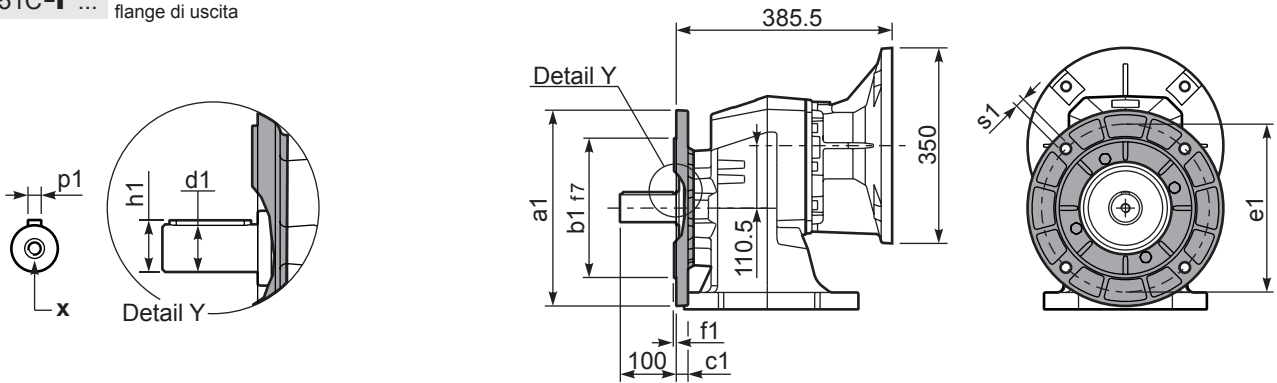
tab. 2

P851C**S8**... With foot
Con piedine

Gearbox weight
peso riduttore With flange **90.0 kg**
With feet **80.5 kg**



P851C-**F**... Output flanges
flange di uscita



*Available output shaft / Albero di uscita

	Shaft - d1	p1	h1	x
Standard	Ø 50x100	14	53.5	M16x36
On request A richiesta	Ø 60x120	18	64	M20x42
	-	-	-	-

Available output flanges / flange di uscita

a1	Ø	b1	c1	e1	f1	s1	kit code
300	230	21	265	4	14		KC90.9.014
350	250	21	300	5	18		KC90.9.015
-	-	-	-	-	-	-	-


All flanges are compatible with the foot



QUICK SELECTION / Selezione veloce

input speed (n_1) = 1400 min⁻¹

Output Speed n_2 [min ⁻¹]	Ratio i	Motor power P_{1M} [kW]	Output torque M_{2M} [Nm]	Service factor $f.s.$	Nominal power P_{1R} [kW]	Nominal torque M_{2R} [Nm]	B5 motor flanges				B14 motor flanges				Output Shaft 	Ratios code
							-F	-G	-H	-I	-	-	-	-		
							100 112	132	160	180	-	-	-	-		
317	4.42	22	611	1.1	24.2	700	B							3015	01	
264	5.30	22	733	1.0	20.2	700	B							3013	02	
219	6.38	18.5	742	1.1	19.1	800	B							3011	03	
168	8.33	15	784	1.0	14.7	800	B							2015	04	
140	9.99	15	940	1.0	13.8	900	B							2013	05	
124	11.26	15	1060	1.0	14.9	1100	B							1615	06	
116	12.03	15	1132	1.1	15.2	1200	B							2011	07	
104	13.50	15	1271	1.1	15.8	1400	B							1613	08	
96	14.65	15	1378	1.1	15.6	1500	B							1315	09	
86	16.26	15	1531	1.0	14.1	1500	B							1611	10	
80	17.56	11	1214	1.2	13.0	1500	B							1313	11	
65	21.50	11	1486	1.1	11.4	1600	B							1113	12	
54	25.88	9	1526	1.0	9.4	1600	B							1111	13	
45.0	31.09	7.5	1475	1.0	7.2	1460	B							813	14	
37.4	37.43	5.5	1312	1.2	6.5	1600	B							811	15	

The dynamic efficiency is **0.96** for all ratios

Motor Flanges Available
Flange Motore Disponibili

B) Supplied with Reduction Bushing
Fornito con Bussola di Riduzione

B) Available on Request without reduction bushing
Disponibile a Richiesta senza Bussola di Riduzione

C) Motor Flange Holes Position
Posizione Fori Flangia Motore

5

EN Unit **852C** is supplied without lubricant and equipped with a breather, level and drain plugs. User can add mineral oil keeping existing plugs. Should the user wish to fill it with synthetic oil, it is recommended to replace the existing plugs with a closed plug.
See table 1 for lubrication and recommended quantity.
In table 2 please see possible radial loads and axial loads on the gearbox.

I Il riduttore tipo **852C** è fornito privo di lubrificazione con tappi di sfiato, livello e scarico olio. L'utente può immettere olio minerale mantenendo i tappi esistenti. Se immetterà olio sintetico, dovrà sostituire i tappi esistenti con altri tipo chiuso.
Tab.1 per oli e quantità consigliati.
Tab.2 carichi radiali e assiali applicabili al riduttore.

D Das Getriebe der Baugröße **852C** wird ohne Schmiermittel geliefert. Es ist jedoch mit Einfüllschraube, Überdruckventil und Ablassschraube ausgerüstet. Das benötigte mineralische Öl kann über die Einfüllschraube eingefüllt werden. Sollte synthetisches Öl bevorzugt werden, so ist sind das eingebaute Überdruckventil durch eine geschlossenen Schraube zu ersetzen.
In Tabelle 1 ist die Schmiermenge und das empfohlene Schmiermittel angegeben
In Tabelle 2 sind die zulässigen Radial - und Axialbelastungen des Getriebes aufgeführt.

F Le réducteur de type **852C** est fourni sans lubrification et avec un bouchon de remplissage, de niveau et d'évacuation de l'huile. L'utilisateur peut y verser de l'huile minérale en conservant les bouchons existants. S'il y versera de l'huile synthétique, il devra substituer les bouchons existants avec d'autres bouchons de type fermé.
Voir tableau 1 concernant les huiles et les quantités conseillées.
Voir tableau 2 concernant les charges radiales et axiales applicables au réducteur

E El reductor tamaño **852C** se suministra sin lubricante, provisto de tapones de respiración, nivel y descarga de aceite. El usuario puede utilizar aceite mineral, manteniendo los tapones existentes. Si prefiere utilizar aceite sintético deberá sustituir los tapones existentes por tapones ciegos. La prerreducción se suministra con tapones ciegos, lubricado de por vida con aceite sintético.
Ver tabla 1, para cantidades y aceites recomendados.
En la tabla 2, se encuentran las cargas radiales y axiales admitidas por el reductor.

5.40 LT	3.60 LT	3.60 LT	2.80 LT	5.90 LT	4.20 LT	Ask
AGIP Blasias 460						

For all details on lubrication and plugs check our website **tab. 1**
Per maggiori dettagli su lubrificazione e tappi olio vedi il nostro sito web

RADIAL AND AXIAL LOADS

Output shaft
Albero di uscita

$F_{eq} = FR \cdot \frac{88.5}{X+38.5}$

$F_{eq} (N)$

n_2	FA	FR	n_2	FA	FR	n_2	FA	FR
300	1800	9000	140	2400	12000	70	3000	15000
250	2000	10000	120	2600	13000	40	3200	16000
200	2200	11000	85	2800	14000	15	4000	20000

On request reinforced bearings to increase loads.
A richiesta cuscinetti rinforzati per aumentare i carichi.

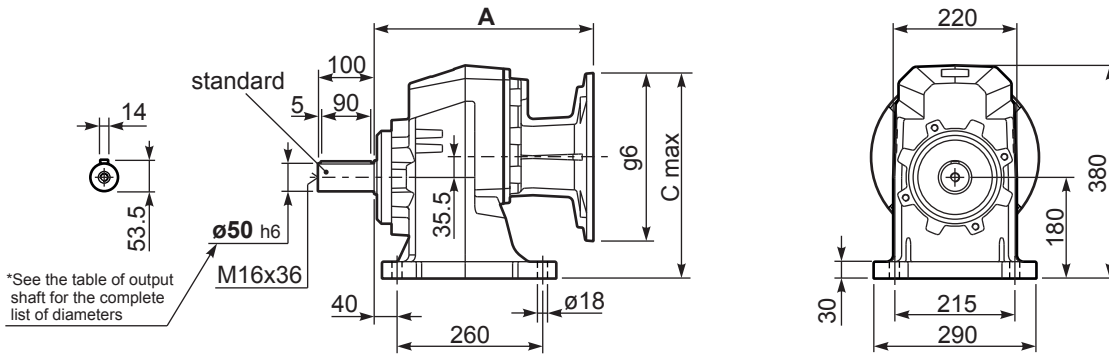
Input shaft
Albero in entrata

n_1	FA	FR
1400	700	3500
900	840	4200
500	900	4500

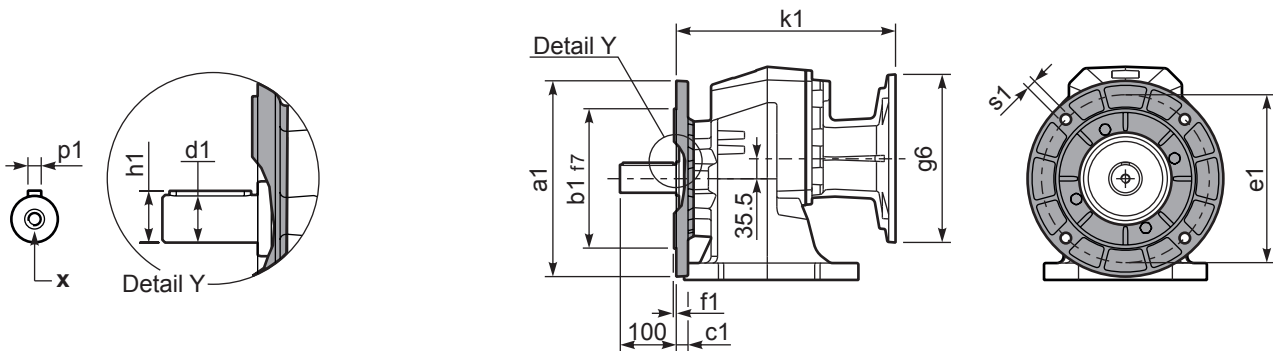
tab. 2

P852C**S8**... With foot
Con piedino

Gearbox weight **86.0 kg**
peso riduttore With flange
With feet **76.5 kg**



P852C-**F**... Output flanges
flange di uscita



*Available output shaft / Albero di uscita

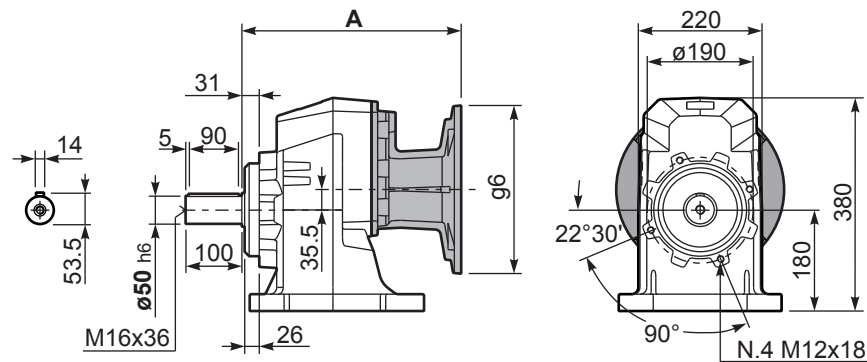
	Shaft - d1	p1	h1	x
Standard	∅ 50x100	14	53.5	M16x36
On request A richiesta	∅ 60x120	18	64	M20x42
	-	-	-	-

Available output flanges / flange di uscita

a1 ∅	b1	c1	e1	f1	s1	kit code
300	230	21	265	4	14	KC90.9.014
350	250	21	300	5	18	KC90.9.015
-	-	-	-	-	-	-

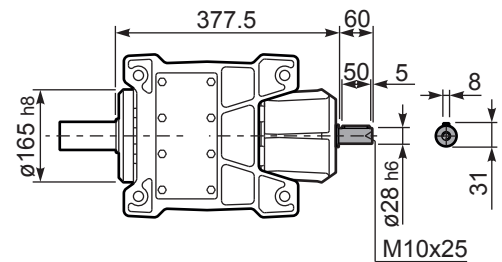
All flanges are compatible with the foot

P852C**S8**... Basic gearbox
Riduttore base



B5 Motor Flanges	A	C _{max}	g6	k1	kit code
100/112 B5	387	340.5	250	387	-
132 B5	391	365.5	300	391	-
160/180 B5	402	390.5	350	402	-

R852C**S8**... Input Shaft
Albero in entrata





QUICK SELECTION / Selezione veloce

input speed (n_1) = 1400 min⁻¹

Output Speed n_2 [min ⁻¹]	Ratio i	Motor power P_{1M} [kW]	Output torque M_{2M} [Nm]	Service factor f.s.	Nominal power P_{1R} [kW]	Nominal torque M_{2R} [Nm]	Available B5 motor flanges					Available B14 motor flanges				Output Shaft \varnothing	Ratios code		
							-C	-D	-E	-F	-G	-R	-T	-U	-V				
							71	80	90	100 112	132	80	90	100 112	132				
32.5	43.03	5.5	1478	1.1	5.8	1600	B									201313	standard $\varnothing 50$	01	
28.9	48.52	5.5	1667	0.9	5.0	1550	B									161315		02	
27.0	51.81	4	1302	1.2	4.8	1600	B									201311		03	
24.1	58.17	4	1462	1.1	4.3	1600	B									161313		04	
22.2	63.09	4	1585	1.0	3.8	1550	B									131315		05	
20.0	70.05	4	1760	1.0	4.0	1800	B									161311		06	
18.5	75.65	4	1901	0.9	3.7	1800	B									131313		$\varnothing 60$	07
15.4	91.09	3	1723	1.0	3.1	1800	B									131311		On request	08
12.6	111.50	2.2	1553	1.2	2.5	1800	B									111311		09	
10.5	133.91	2.2	1865	1.0	2.1	1800	B									81313		10	
8.7	161.24	1.5	1548	1.2	1.7	1800	B									81311		11	
7.6	184.40	1.1	1293	1.1	1.2	1450	B									61313		12	
6.3	222.04	1.1	1557	1.1	1.2	1750	B									61311		13	

The dynamic efficiency is **0.94** for all ratios

Motor Flanges Available
Flange Motore Disponibili

B) Supplied with Reduction Bushing
Fornito con Bussola di Riduzione

B) Available on Request without reduction bushing
Disponibile a Richiesta senza Bussola di Riduzione

C) Motor Flange Holes Position
Posizione Fori Flangia Motore

5

EN Unit **853C** is supplied without lubricant and equipped with a breather, level and drain plugs. User can add mineral oil keeping existing plugs. Should the user wish to fill it with synthetic oil, it is recommended to replace the existing plugs with a closed plug.
See table 1 for lubrication and recommended quantity.
In table 2 please see possible radial loads and axial loads on the gearbox.

I Il riduttore tipo **853C** è fornito privo di lubrificazione con tappi di sfiato, livello e scarico olio. L'utente può immettere olio minerale mantenendo i tappi esistenti. Se immetterà olio sintetico, dovrà sostituire i tappi esistenti con altri tipo chiuso.
Tab.1 per oli e quantità consigliati.
Tab.2 carichi radiali e assiali applicabili al riduttore.

D Das Getriebe der Baugröße **853C** wird ohne Schmiermittel geliefert. Es ist jedoch mit Einfüllschraube, Überdruckventil und Ablassschraube ausgerüstet. Das benötigte mineralische Öl kann über die Einfüllschraube eingefüllt werden. Sollte synthetisches Öl bevorzugt werden, so ist sind das eingebaute Überdruckventil durch eine geschlossenen Schraube zu ersetzen.
In Tabelle 1 ist die Schmiermenge und das empfohlene Schmiermittel angegeben
In Tabelle 2 sind die zulässigen Radial - und Axialbelastungen des Getriebes aufgeführt.

F Le réducteur de type **853C** est fourni sans lubrification et avec un bouchon de remplissage, de niveau et d'évacuation de l'huile. L'utilisateur peut y verser de l'huile minérale en conservant les bouchons existants. S'il y versera de l'huile synthétique, il devra substituer les bouchons existants avec d'autres bouchons de type fermé.
Voir tableau 1 concernant les huiles et les quantités conseillées.
Voir tableau 2 concernant les charges radiales et axiales applicables au réducteur

E El reductor tamaño **853C** se suministra sin lubricante, provisto de tapones de respiración, nivel y descarga de aceite. El usuario puede utilizar aceite mineral, manteniendo los tapones existentes. Si prefiere utilizar aceite sintético deberá sustituir los tapones existentes por tapones ciegos. La prerreducción se suministra con tapones ciegos, lubricado de por vida con aceite sintético.
Ver tabla 1, para cantidades y aceites recomendados.
En la tabla 2, se encuentran las cargas radiales y axiales admitidas por el reductor.

B3	B6	B7	B8	V5	V6	V8
5.50 LT	3.80 LT	3.80 LT	3.20 LT	7.00 LT	4.60 LT	Ask

AGIP Blasias 460

For all details on lubrication and plugs check our website [tab. 1](#)
Per maggiori dettagli su lubrificazione e tappi olio vedi il nostro sito web

RADIAL AND AXIAL LOADS

Output shaft
Albero di uscita

$F_{eq} = FR \cdot \frac{88.5}{X+38.5}$

n_2	FA	FR	n_2	FA	FR	n_2	FA	FR
300	1800	9000	140	2400	12000	70	3000	15000
250	2000	10000	120	2600	13000	40	3200	16000
200	2200	11000	85	2800	14000	15	4000	20000

On request reinforced bearings to increase loads.
A richiesta cuscinetti rinforzati per aumentare i carichi.

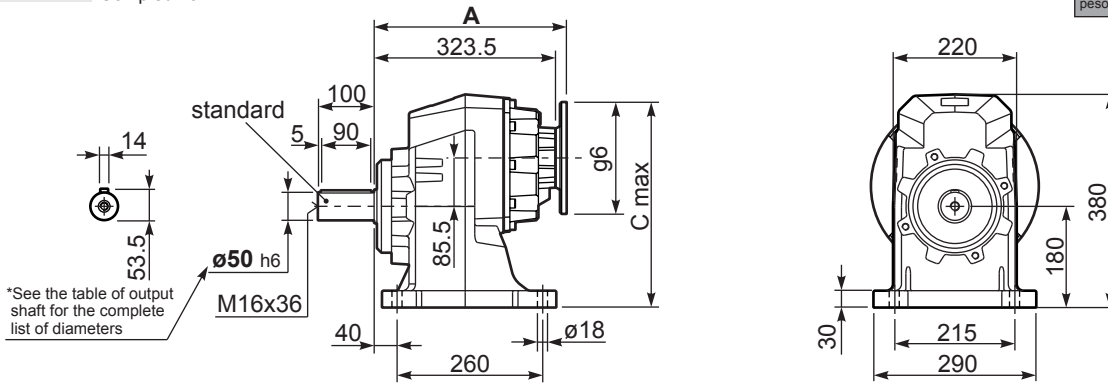
Input shaft
Albero in entrata

n_1	FA	FR
1400	450	2250
900	500	2500
500	600	3000

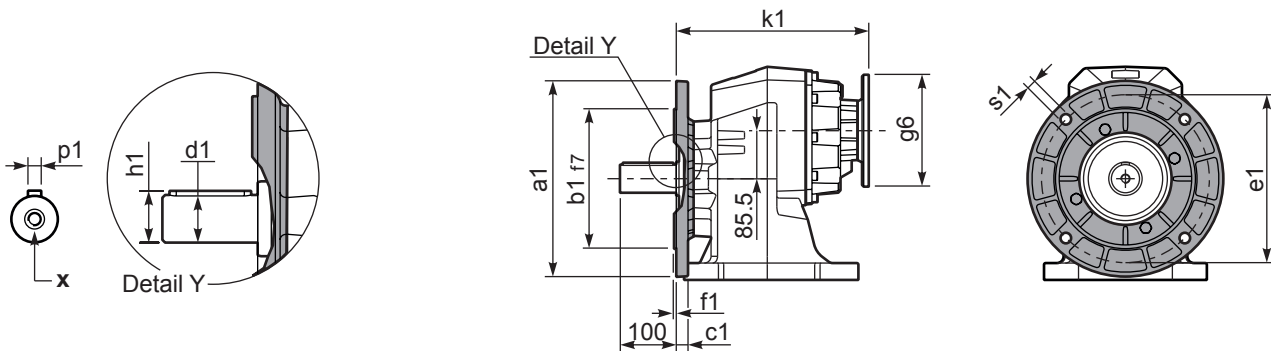
tab. 2

P853C**S8**... With foot
Con piedino

Gearbox weight **80.5 kg**
peso riduttore With flange
With feet **71.0 kg**



P853C-**F**... Output flanges
flange di uscita



*Available output shaft / Albero di uscita

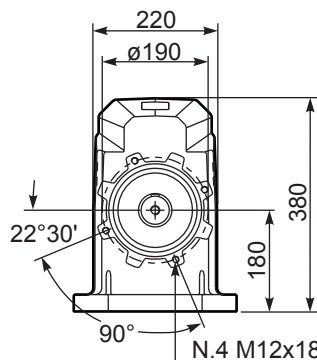
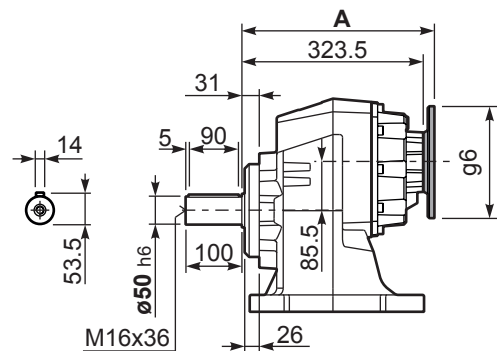
	Shaft - d1	p1	h1	x
Standard	∅ 50x100	14	53.5	M16x36
On request A richiesta	∅ 60x120	18	64	M20x42
	-	-	-	-

Available output flanges / flange di uscita

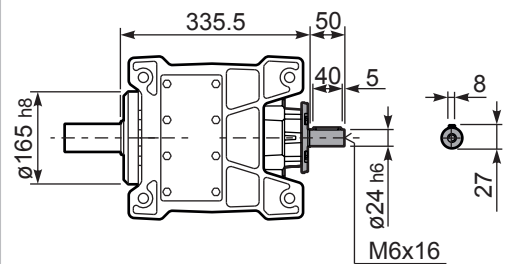
a1 ∅	b1	c1	e1	f1	s1	kit code
300	230	21	265	4	14	KC90.9.014
350	250	21	300	5	18	KC90.9.015
-	-	-	-	-	-	-

All flanges are compatible with the foot

P853C**S8**... Basic gearbox
Riduttore base



R853C**S8**... Input Shaft
Albero in entrata



B5 Motor Flanges	A	C _{max}	g6	k1	kit code
71 B5	342	345.5	160	342	K023.4.041
80/90 B5	344	365.5	200	344	K023.4.042
100/112 B5	353	390.5	250	353	K023.4.043
132 B5	371	415.5	300	371	KC50.4.043

B14 Motor Flanges	A	C _{max}	g6	k1	kit code
80 B14	344	325.5	120	344	K085.4.046
90 B14	344	335.5	140	344	K085.4.045
100/112 B14	353	345.5	160	353	K085.4.047
132 B14	371	365.5	200	371	KC50.4.041



QUICK SELECTION / Selezione veloce

input speed (n_1) = 1400 min⁻¹

Output Speed n_2 [min ⁻¹]	Ratio i	Motor power P_{1M} [kW]	Output torque M_{2M} [Nm]	Service factor f.s.	Nominal power P_{1R} [kW]	Nominal torque M_{2R} [Nm]	Available B5 motor flanges		B14 motor flanges				Output Shaft		
							-H	-I	-	-	-	-			Ratios code
							160	180	-	-	-	-			
528	2.65	22	374	1.7	36.7	650			not available				2361	standard	01
409	3.42	22	483	1.6	32.8	750							1965	ø60	02
304	4.60	22	649	1.5	30.9	950							1569		03
256	5.46	22	771	1.3	27.4	1000							1371	ø50	04
211	6.64	22	937	1.3	26.5	1175							1173	On request	05

The dynamic efficiency is **0.98** for all ratios

A) Motor Flanges Available
Flange Motore Disponibili

B) Supplied with Reduction Bushing
Fornito con Bussola di Riduzione

B) Available on Request without reduction bushing
Disponibile a Richiesta senza Bussola di Riduzione

C) Motor Flange Holes Position
Posizione Fori Flangia Motore

EN Unit **901C** is supplied without lubricant and equipped with a breather, level and drain plugs. User can add mineral oil keeping existing plugs. Should the user wish to fill it with synthetic oil, it is recommended to replace the existing plugs with a closed plug. See table 1 for lubrication and recommended quantity. In table 2 please see possible radial loads and axial loads on the gearbox.

I Il riduttore tipo **901C** è fornito privo di lubrificazione con tappi di sfiato, livello e scarico olio. L'utente può immettere olio minerale mantenendo i tappi esistenti. Se immetterà olio sintetico, dovrà sostituire i tappi esistenti con altri tipo chiuso. Tab.1 per oli e quantità consigliati. Tab.2 carichi radiali e assiali applicabili al riduttore.

D Das Getriebe der Baugröße **901C** wird ohne Schmiermittel geliefert. Es ist jedoch mit Einfüllschraube, Überdruckventil und Ablassschraube ausgerüstet. Das benötigte mineralische Öl kann über die Einfüllschraube eingefüllt werden. Sollte synthetisches Öl bevorzugt werden, so ist sind das eingebaute Überdruckventil durch eine geschlossenen Schraube zu ersetzen. In Tabelle 1 ist die Schmiermenge und das empfohlene Schmiermittel angegeben. In Tabelle 2 sind die zulässigen Radial - und Axialbelastungen des Getriebes aufgeführt.

F Le réducteur de type **901C** est fourni sans lubrification et avec un bouchon de remplissage, de niveau et d'évacuation de l'huile. L'utilisateur peut y verser de l'huile minérale en conservant les bouchons existants. S'il y versera de l'huile synthétique, il devra substituer les bouchons existants avec d'autres bouchons de type fermé. Voir tableau 1 concernant les huiles et les quantités conseillées. Voir tableau 2 concernant les charges radiales et axiales applicables au réducteur.

E El reductor tamaño **901C** se suministra sin lubricante, provisto de tapones de respiración, nivel y descarga de aceite. El usuario puede utilizar aceite mineral, manteniendo los tapones existentes. Si prefiere utilizar aceite sintético deberá sustituir los tapones existentes por tapones ciegos. La prerreducción se suministra con tapones ciegos, lubricado de por vida con aceite sintético. Ver tabla 1, para cantidades y aceites recomendados. En la tabla 2, se encuentran las cargas radiales y axiales admitidas por el reductor.

B3	B6	B7	B8	V5	V6	V8
5.90 LT	3.80 LT	3.80 LT	3.50 LT	6.80 LT	4.50 LT	Ask

AGIP Blasias 460

For all details on lubrication and plugs check our website **tab. 1**
Per maggiori dettagli su lubrificazione e tappi olio vedi il nostro sito web

RADIAL AND AXIAL LOADS

Output shaft
Albero di uscita

$F_R (N)$
 $F_A (N)$

$F_{eq} = F_R \cdot \frac{88.5}{X+38.5}$
 $F_{eq} (N)$

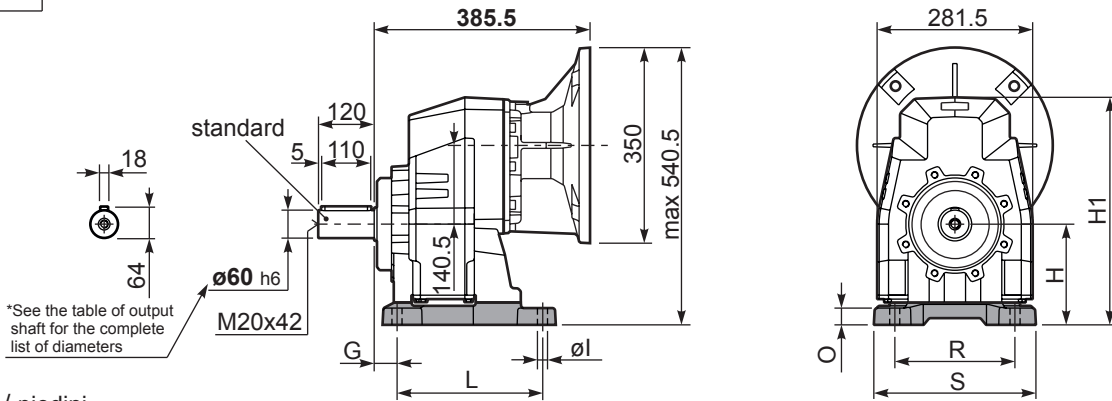
n_2	FA	FR	n_2	FA	FR	n_2	FA	FR
300	2070	10350	140	2760	13800	70	3450	17250
250	2300	11500	120	2990	14950	40	3680	18400
200	2530	12650	85	3220	16100	15	4600	23000

On request reinforced bearings to increase loads.
A richiesta cuscinetti rinforzati per aumentare i carichi.

tab. 2

P901C**S8**... With feet
Con piedini

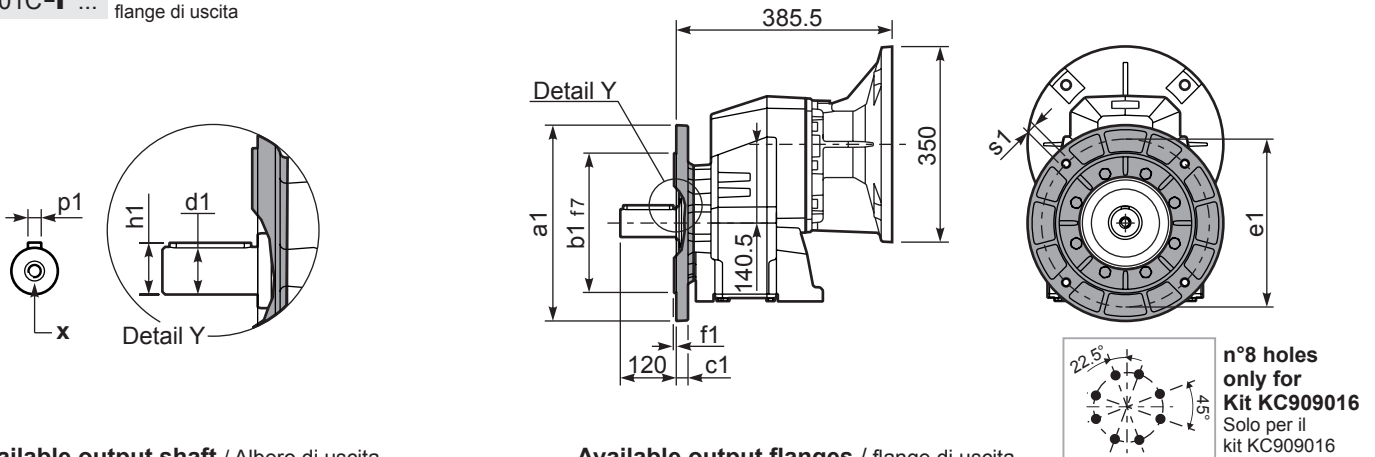
Gearbox weight **102 kg**
peso riduttore With feet **110.5 kg**



Feet / piedini

Feet Code	Market reference	G	H	R	L	S	H1	O	øl	B5 max. Flange	kit code
B6	612/3	25	195	250	180	300	422	25	18	-	KC90.9.022
B7	702/3	25	210	300	165	350	437	30	22	-	KC90.9.027
S8	87	40	180	215	260	290	407	30	18	-	KC90.9.024
S9	97	40	225	250	310	340	452	45	22	-	KC90.9.026
H7	027/273	40	225	250	245	300	452	55	22	-	KC90.9.023
HS	-	40	175	215	260	290	402	25	18	-	KC90.9.025

P901C-**F**... Output flanges
flange di uscita



***Available output shaft / Alberi di uscita**

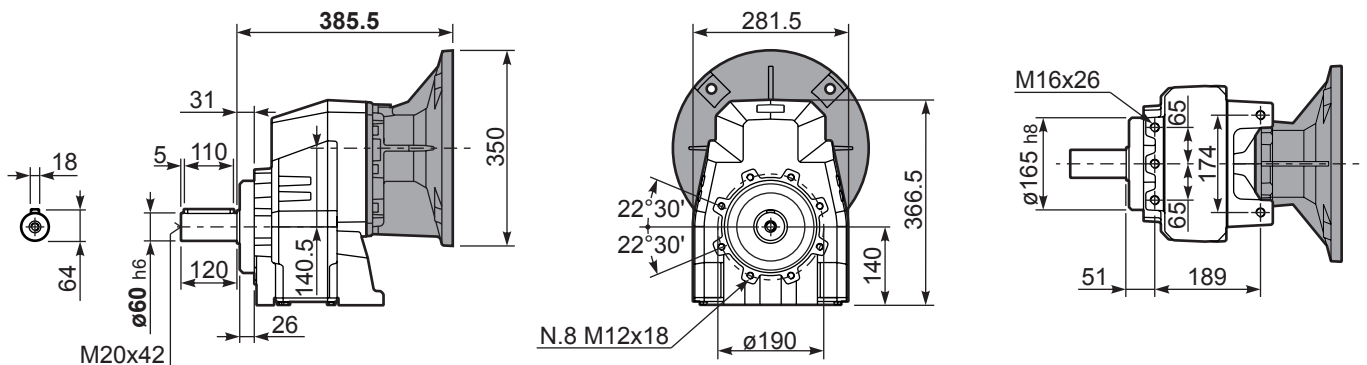
	Shaft - d1	p1	h1	x
Standard	ø 60x120	18	64	M20x42
On request A richiesta	ø 50x100	14	53.5	M16x36

Available output flanges / flange di uscita

a1 ø	b1	c1	e1	f1	s1	kit code
300	230	21	265	4	14	KC90.9.014
350	250	21	300	5	18	KC90.9.015
450	350	22	400	5	18	KC90.9.016

With flange and feet only on request. Ask for compatibility

P901C-**N**... Basic gearbox
Riduttore base





QUICK SELECTION / Selezione veloce

input speed (n_1) = 1400 min⁻¹

Output Speed n_2 [min ⁻¹]	Ratio i	Motor power P_{1M} [kW]	Output torque M_{2M} [Nm]	Service factor $f.s.$	Nominal power P_{1R} [kW]	Nominal torque M_{2R} [Nm]	B5 motor flanges				B14 motor flanges				Output Shaft 	Ratios code
							-F	-G	-H	-I	-	-	-	-		
							100 112	132	160	180	-	-	-	-		
234	5.98	22	827	1.2	25.5	1000	B							3015	01	
197	7.10	22	982	1.2	25.3	1175	B							3013	02	
162	8.63	22	1193	1.1	23.9	1350	B							3011	03	
124	11.27	18.5	1310	1.1	20.3	1500	B							2015	04	
105	13.38	18.5	1555	1.1	19.4	1700	B							2013	05	
92	15.24	18.5	1771	1.1	19.0	1900	B							1615	06	
86	16.26	18.5	1889	1.1	19.7	2100	B							2011	07	
77	18.09	18.5	2102	1.0	17.7	2100	B							1613	08	
71	19.82	15	1865	1.1	15.9	2060	B							1315	09	
64	21.98	15	2069	1.0	14.6	2100	B							1611	10	
60	23.53	15	2214	0.9	13.6	2100	B							1313	11	
58	24.25	11	1677	1.2	12.2	1940	B							1115	12	
48.6	28.80	11	1991	1.1	11.1	2100	B							1113	13	
40.0	34.99	9	2063	1.0	9.2	2100	B							1111	14	
33.6	41.64	7.5	1976	1.0	7.2	1960	B							813	15	
27.7	50.60	5.5	1774	1.2	6.3	2100	B							811	16	

The dynamic efficiency is **0.96** for all ratios

Motor Flanges Available Flange Motore Disponibili
 B) Supplied with Reduction Bushing Fornito con Bussola di Riduzione
 B) Available on Request without reduction bushing Disponibile a Richiesta senza Bussola di Riduzione
 C) Motor Flange Holes Position Posizione Fori Flangia Motore

EN Unit **902C** is supplied without lubricant and equipped with a breather, level and drain plugs. User can add mineral oil keeping existing plugs. Should the user wish to fill it with synthetic oil, it is recommended to replace the existing plugs with a closed plug. See table 1 for lubrication and recommended quantity. In table 2 please see possible radial loads and axial loads on the gearbox.

I Il riduttore tipo **902C** è fornito privo di lubrificazione con tappi di sfiato, livello e scarico olio. L'utente può immettere olio minerale mantenendo i tappi esistenti. Se immetterà olio sintetico, dovrà sostituire i tappi esistenti con altri tipo chiuso. Tab.1 per oli e quantità consigliati. Tab.2 carichi radiali e assiali applicabili al riduttore.

D Das Getriebe der Baugröße **902C** wird ohne Schmiermittel geliefert. Es ist jedoch mit Einfüllschraube, Überdruckventil und Ablassschraube ausgerüstet. Das benötigte mineralische Öl kann über die Einfüllschraube eingefüllt werden. Sollte synthetisches Öl bevorzugt werden, so ist sind das eingebaute Überdruckventil durch eine geschlossenen Schraube zu ersetzen. In Tabelle 1 ist die Schmiermenge und das empfohlene Schmiermittel angegeben. In Tabelle 2 sind die zulässigen Radial - und Axialbelastungen des Getriebes aufgeführt.

F Le réducteur de type **902C** est fourni sans lubrification et avec un bouchon de remplissage, de niveau et d'évacuation de l'huile. L'utilisateur peut y verser de l'huile minérale en conservant les bouchons existants. S'il y versera de l'huile synthétique, il devra substituer les bouchons existants avec d'autres bouchons de type fermé. Voir tableau 1 concernant les huiles et les quantités conseillées. Voir tableau 2 concernant les charges radiales et axiales applicables au réducteur

E El reductor tamaño **902C** se suministra sin lubricante, provisto de tapones de respiración, nivel y descarga de aceite. El usuario puede utilizar aceite mineral, manteniendo los tapones existentes. Si prefiere utilizar aceite sintético deberá sustituir los tapones existentes por tapones ciegos. La prerreducción se suministra con tapones ciegos, lubricado de por vida con aceite sintético. Ver tabla 1, para cantidades y aceites recomendados. En la tabla 2, se encuentran las cargas radiales y axiales admitidas por el reductor.

5.90 LT	3.80 LT	3.80 LT	3.40 LT	6.70 LT	4.40 LT	Ask

AGIP Blasias 460

For all details on lubrication and plugs check our website **tab. 1**
Per maggiori dettagli su lubrificazione e tappi olio vedi il nostro sito web

RADIAL AND AXIAL LOADS

Output shaft
Albero di uscita

F_R (N)
 F_A (N)

$F_{eq} = F_R \cdot \frac{88.5}{X+38.5}$
 F_{eq} (N)

n_2	FA	FR	n_2	FA	FR	n_2	FA	FR
300	2070	10350	140	2760	13800	70	3450	17250
250	2300	11500	120	2990	14950	40	3680	18400
200	2530	12650	85	3220	16100	15	4600	23000

On request reinforced bearings to increase loads.
A richiesta cuscinetti rinforzati per aumentare i carichi.

Input shaft
Albero in entrata

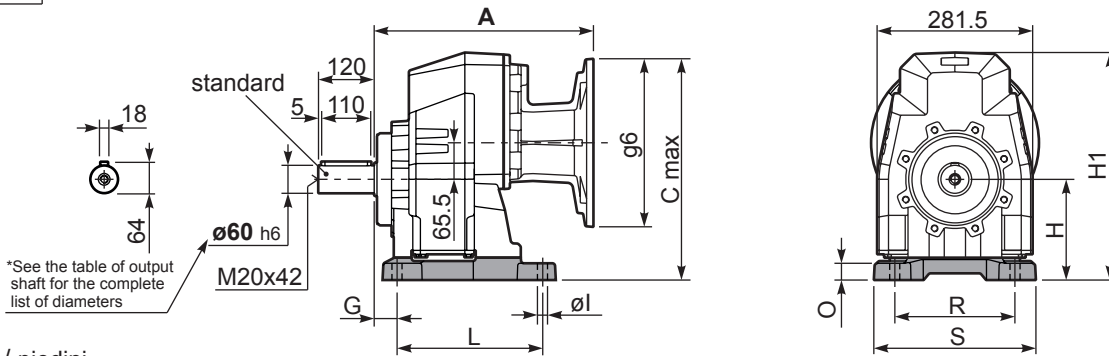
F_R (N)
 F_A (N)

n_1	FA	FR
1400	700	3500
900	840	4200
500	900	4500

tab. 2

P902C**S8**... With feet
Con piedini

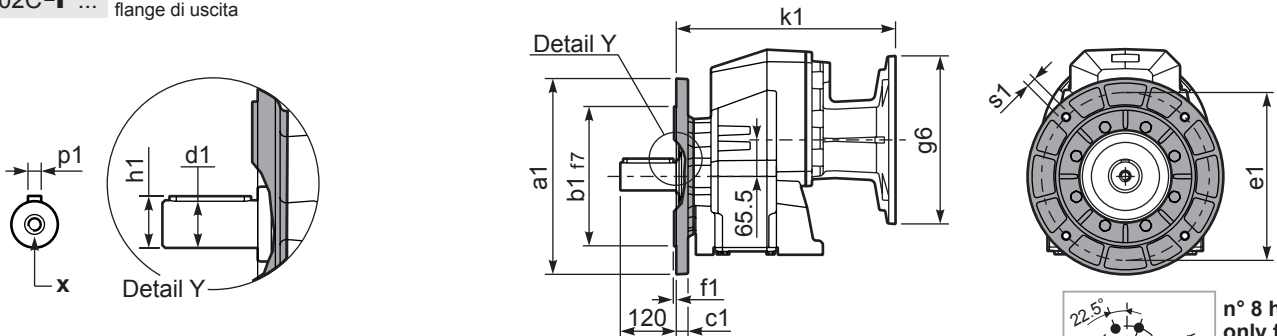
Gearbox weight **98.5 kg**
peso riduttore With flange
With feet **107.0 kg**



Feet / piedini

Feet Code	Market reference	G	H	R	L	S	H1	O	øl	B5 max. Flange	kit code
B6	612/3	25	195	250	180	300	422	25	18	-	KC90.9.022
B7	702/3	25	210	300	165	350	437	30	22	-	KC90.9.027
S8	87	40	180	215	260	290	407	30	18	-	KC90.9.024
S9	97	40	225	250	310	340	452	45	22	-	KC90.9.026
H7	027/273	40	225	250	245	300	452	55	22	-	KC90.9.023
HS	-	40	175	215	260	290	402	25	18	-	KC90.9.025

P902C-**F**... Output flanges
flange di uscita



*Available output shaft / Albero di uscita

	Shaft - d1	p1	h1	x
Standard	ø 60x120	18	64	M20x42
On request A richiesta	ø 50x100	14	53.5	M16x36
	-	-	-	-

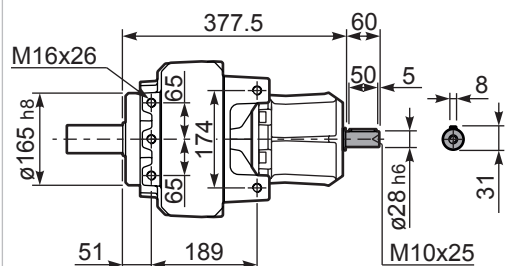
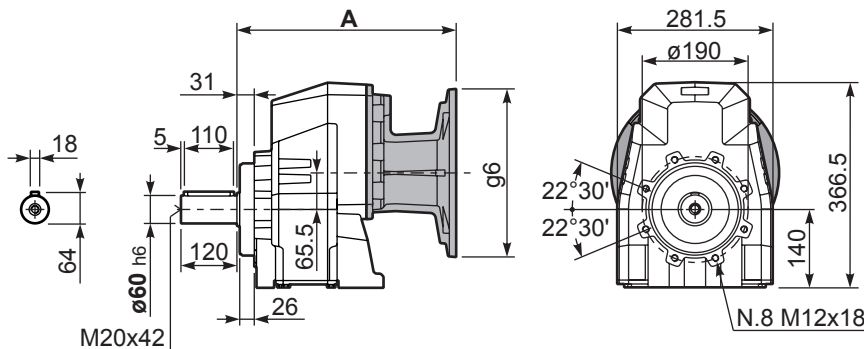
Available output flanges / flange di uscita

a1 ø	b1	c1	e1	f1	s1	kit code
300	230	21	265	4	14	KC90.9.014
350	250	21	300	5	18	KC90.9.015
450	350	22	400	5	18	KC90.9.016

With flange and feet only on request. Ask for compatibility

P902C-**N**... Basic gearbox
Riduttore base

R902C-**N**... Input Shaft
Albero in entrata



B5 Motor Flanges	A	C _{max}	g6	k1	kit code
100/112 B5	387	415.5	250	387	-
132 B5	391	440.5	300	391	-
160/180 B5	402	465.5	350	402	-



QUICK SELECTION / Selezione veloce

input speed (n_1) = 1400 min⁻¹

Output Speed n_2 [min ⁻¹]	Ratio i	Motor power P_{1M} [kW]	Output torque M_{2M} [Nm]	Service factor f.s.	Nominal power P_{1R} [kW]	Nominal torque M_{2R} [Nm]	Available B5 motor flanges					Available B14 motor flanges				Output Shaft \varnothing	Ratios code
							-C	-D	-E	-F	-G	-R	-T	-U	-V		
							71	80	90	100 112	132	80	90	100 112	132		
28.8	48.55	7.5	2257	0.9	6.7	2100	B									201315	01
24.3	57.64	5.5	1980	1.1	5.7	2100	B									201313	02
21.3	65.64	5.5	2255	0.9	5.0	2100	B									161315	03
20.0	70.04	4	1760	1.2	4.7	2100	B									201311	04
18.0	77.93	4	1958	1.1	4.2	2100	B									161313	05
16.4	85.36	4	2145	1.0	3.8	2100	B									131315	06
14.8	94.70	4	2380	0.9	3.5	2100	B									161311	07
13.8	101.35	3	1917	1.1	3.2	2100	B									131313	08
11.4	123.15	3	2330	0.9	2.7	2100	B									131311	09
9.3	150.73	2.2	2100	1.0	2.2	2100	B									111311	10
7.8	179.39	1.5	1722	1.2	1.8	2100	B									81313	11
6.4	217.98	1.5	2093	1.0	1.5	2100	B									81311	12
5.7	247.03	1.1	1732	1.1	1.2	1950	B									61313	13
4.7	300.17	1.1	2105	1.0	1.1	2100	B									61311	14

The dynamic efficiency is **0.94** for all ratios

Motor Flanges Available
Flange Motore Disponibili

B) Supplied with Reduction Bushing
Fornito con Bussola di Riduzione

B) Available on Request without reduction bushing
Disponibile a Richiesta senza Bussola di Riduzione

C) Motor Flange Holes Position
Posizione Fori Flangia Motore

5

EN Unit **903C** is supplied without lubricant and equipped with a breather, level and drain plugs. User can add mineral oil keeping existing plugs. Should the user wish to fill it with synthetic oil, it is recommended to replace the existing plugs with a closed plug.
See table 1 for lubrication and recommended quantity.
In table 2 please see possible radial loads and axial loads on the gearbox.

I Il riduttore tipo **903C** è fornito privo di lubrificazione con tappi di sfiato, livello e scarico olio. L'utente può immettere olio minerale mantenendo i tappi esistenti. Se immetterà olio sintetico, dovrà sostituire i tappi esistenti con altri tipo chiuso.
Tab.1 per oli e quantità consigliati.
Tab.2 carichi radiali e assiali applicabili al riduttore.

D Das Getriebe der Baugröße **903C** wird ohne Schmiermittel geliefert. Es ist jedoch mit Einfüllschraube, Überdruckventil und Ablassschraube ausgerüstet. Das benötigte mineralische Öl kann über die Einfüllschraube eingefüllt werden. Sollte synthetisches Öl bevorzugt werden, so ist sind das eingebaute Überdruckventil durch eine geschlossenen Schraube zu ersetzen.
In Tabelle 1 ist die Schmiermenge und das empfohlene Schmiermittel angegeben
In Tabelle 2 sind die zulässigen Radial - und Axialbelastungen des Getriebes aufgeführt.

F Le réducteur de type **903C** est fourni sans lubrification et avec un bouchon de remplissage, de niveau et d'évacuation de l'huile. L'utilisateur peut y verser de l'huile minérale en conservant les bouchons existants. S'il y versera de l'huile synthétique, il devra substituer les bouchons existants avec d'autres bouchons de type fermé.
Voir tableau 1 concernant les huiles et les quantités conseillées.
Voir tableau 2 concernant les charges radiales et axiales applicables au réducteur

E El reductor tamaño **903C** se suministra sin lubricante, provisto de tapones de respiración, nivel y descarga de aceite. El usuario puede utilizar aceite mineral, manteniendo los tapones existentes. Si prefiere utilizar aceite sintético deberá sustituir los tapones existentes por tapones ciegos. La prerreducción se suministra con tapones ciegos, lubricado de por vida con aceite sintético.
Ver tabla 1, para cantidades y aceites recomendados.
En la tabla 2, se encuentran las cargas radiales y axiales admitidas por el reductor.

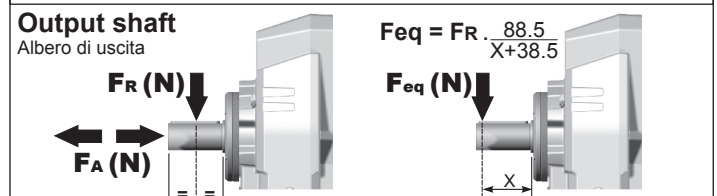
B3	B6	B7	B8	V5	V6	V8
6.00 LT	4.10 LT	4.10 LT	3.70 LT	7.30 LT	4.90 LT	Ask

AGIP Blasias 460

For all details on lubrication and plugs check our website
Per maggiori dettagli su lubrificazione e tappi olio vedi il nostro sito web

tab. 1

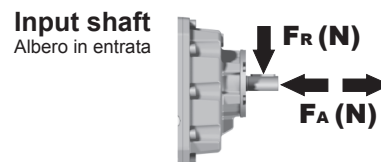
RADIAL AND AXIAL LOADS



n_2	FA	FR	n_2	FA	FR	n_2	FA	FR
300	2070	10350	140	2760	13800	70	3450	17250
250	2300	11500	120	2990	14950	40	3680	18400
200	2530	12650	85	3220	16100	15	4600	23000

On request reinforced bearings to increase loads.

A richiesta cuscinetti rinforzati per aumentare i carichi.

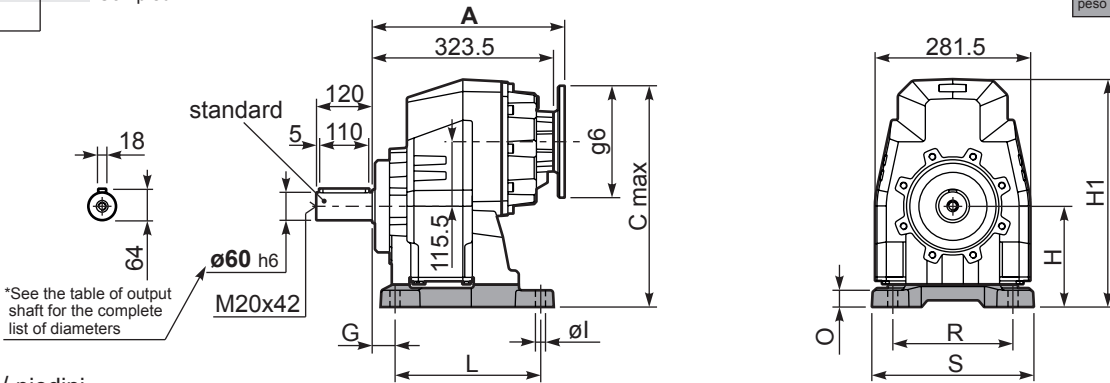


n_1	FA	FR
1400	450	2250
900	500	2500
500	600	3000

tab. 2

P903C**S8**... With feet
Con piedini

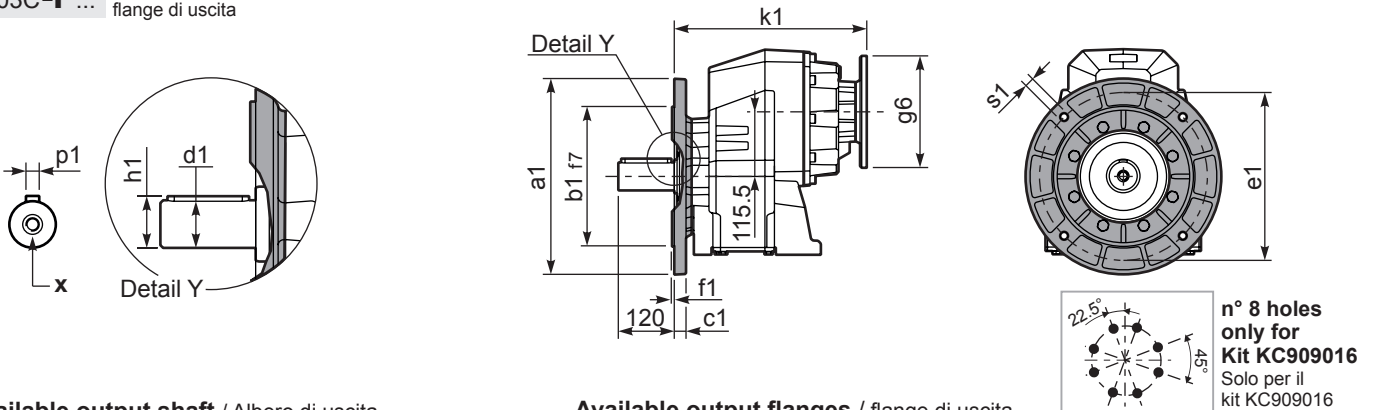
Gearbox weight **86.0 kg**
peso riduttore With flange
With feet **94.5 Kg**



Feet / piedini

Feet Code	Market reference	G	H	R	L	S	H1	O	øl	B5 max. Flange	kit code
B6	612/3	25	195	250	180	300	422	25	18	-	KC90.9.022
B7	702/3	25	210	300	165	350	437	30	22	-	KC90.9.027
S8	87	40	180	215	260	290	407	30	18	-	KC90.9.024
S9	97	40	225	250	310	340	452	45	22	-	KC90.9.026
H7	027/273	40	225	250	245	300	452	55	22	-	KC90.9.023
HS	-	40	175	215	260	290	402	25	18	-	KC90.9.025

P903C-**F**... Output flanges
flange di uscita



*Available output shaft / Albero di uscita

	Shaft - d1	p1	h1	x
Standard	ø 60x120	18	64	M20x42
On request A richiesta	ø 50x100	14	53.5	M16x36

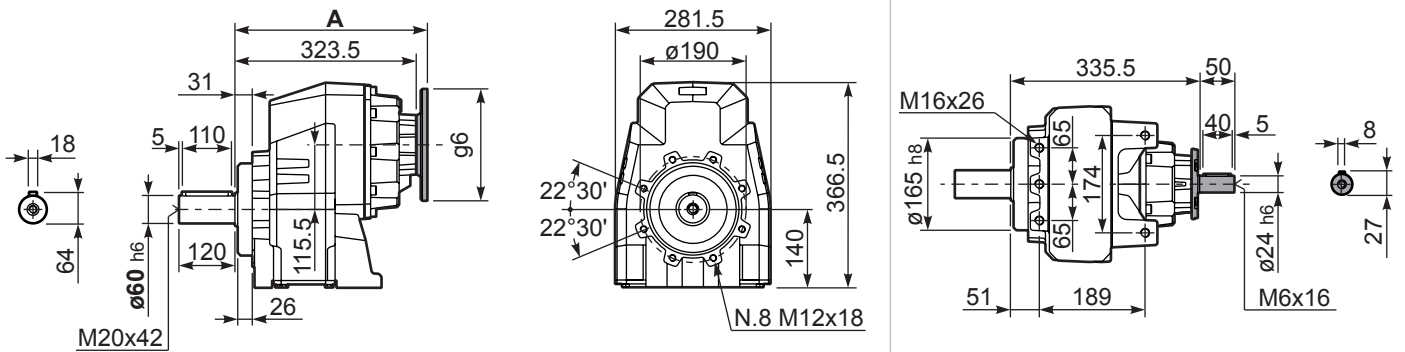
Available output flanges / flange di uscita

a1 ø	b1	c1	e1	f1	s1	kit code
300	230	21	265	4	14	KC90.9.014
350	250	21	300	5	18	KC90.9.015
450	350	22	400	5	18	KC90.9.016

With flange and feet only on request. Ask for compatibility

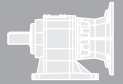
P903C-**N**... Basic gearbox
Riduttore base

R903C-**N**... Input Shaft
Albero in entrata



B5 Motor Flanges	A	C _{max}	g6	k1	kit code
71 B5	342	420.5	160	342	K023.4.041
80/90 B5	344	440.5	200	344	K023.4.042
100/112 B5	353	465.5	250	353	K023.4.043
132 B5	371	490.5	300	371	KC50.4.043

B14 Motor Flanges	A	C _{max}	g6	k1	kit code
80 B14	344	400.5	120	344	K085.4.046
90 B14	344	410.5	140	344	K085.4.045
100/112 B14	353	420.5	160	353	K085.4.047
132 B14	371	440.5	200	371	KC50.4.041



QUICK SELECTION / Selezione veloce

input speed (n_1) = 1400 min⁻¹

Output Speed n_2 [min ⁻¹]	Ratio i	Motor power P_{1M} [kW]	Output torque M_{2M} [Nm]	Service factor $f.s.$	Nominal power P_{1R} [kW]	Nominal torque M_{2R} [Nm]	B5 motor flanges				B14 motor flanges				Output Shaft 	Ratios code
							-G	-H	-I	-L	-	-	-	-		
							132	160	180	200	-	-	-	-		
294	4.75	30	895	1.8	53.0	1650								3914	01	
269	5.21	30	980	1.8	51.3	1750								3913	02	
220	6.36	30	1197	1.6	45.6	1900								3911	03	
188	7.45	30	1401	1.5	43.1	2100								3014	04	
172	8.15	30	1535	1.4	39.3	2100								3013	05	
141	9.96	30	1874	1.2	33.7	2200								3011	06	
120	11.69	30	2200	1.0	30.1	2300								2214	07	
109	12.80	30	2409	1.0	27.4	2300								2213	08	
90	15.63	22	2161	1.1	23.5	2400								2211	09	
79	17.65	22	2441	1.1	22.5	2600								1614	10	
72	19.33	22	2673	1.1	22.9	2900								1613	11	
67	20.77	22	2872	1.0	21.3	2900								1414	12	
62	22.75	18.5	2643	1.1	19.5	2900								1413	13	
59	23.60	18.5	2743	1.1	18.8	2900								1611	14	
50	27.78	15	2615	1.1	15.9	2900								1411	15	
45.5	30.76	15	2896	1.0	14.4	2900								1014	16	
41.6	33.69	11	2330	1.2	13.1	2900								1013	17	
34.0	41.15	11	2845	1.0	10.8	2900								1011	18	

The dynamic efficiency is **0.96** for all ratios

Motor Flanges Available
Flange Motore Disponibili

B) Supplied with Reduction Bushing
Fornito con Bussola di Riduzione

Available on Request without reduction bushing
Disponibile a Richiesta senza Bussola di Riduzione

C) Motor Flange Holes Position
Posizione Fori Flangia Motore

EN Unit **1002** is supplied without lubricant and equipped with a breather, level and drain plugs. User can add mineral oil keeping existing plugs. Should the user wish to fill it with synthetic oil, it is recommended to replace the existing plugs with a closed plug. See table 1 for lubrication and recommended quantity. In table 2 please see possible radial loads and axial loads on the gearbox.

I Il riduttore tipo **1002** è fornito privo di lubrificazione con tappi di sfiato, livello e scarico olio. L'utente può immettere olio minerale mantenendo i tappi esistenti. Se immetterà olio sintetico, dovrà sostituire i tappi esistenti con altri tipo chiuso. Tab.1 per oli e quantità consigliati. Tab.2 carichi radiali e assiali applicabili al riduttore.

D Das Getriebe der Baugröße **1002** wird ohne Schmiermittel geliefert. Es ist jedoch mit Einfüllschraube, Überdruckventil und Ablassschraube ausgerüstet. Das benötigte mineralische Öl kann über die Einfüllschraube eingefüllt werden. Sollte synthetisches Öl bevorzugt werden, so ist sind das eingebaute Überdruckventil durch eine geschlossenen Schraube zu ersetzen. In Tabelle 1 ist die Schmiermenge und das empfohlene Schmiermittel angegeben. In Tabelle 2 sind die zulässigen Radial - und Axialbelastungen des Getriebes aufgeführt.

F Le réducteur de type **1002** est fourni sans lubrification et avec un bouchon de remplissage, de niveau et d'évacuation de l'huile. L'utilisateur peut y verser de l'huile minérale en conservant les bouchons existants. S'il y versera de l'huile synthétique, il devra substituer les bouchons existants avec d'autres bouchons de type fermé. Voir tableau 1 concernant les huiles et les quantités conseillées. Voir tableau 2 concernant les charges radiales et axiales applicables au réducteur.

E El reductor tamaño **1002** se suministra sin lubricante, provisto de tapones de respiración, nivel y descarga de aceite. El usuario puede utilizar aceite mineral, manteniendo los tapones existentes. Si prefiere utilizar aceite sintético deberá sustituir los tapones existentes por tapones ciegos. La prerreducción se suministra con tapones ciegos, lubricado de por vida con aceite sintético. Ver tabla 1, para cantidades y aceites recomendados. En la tabla 2, se encuentran las cargas radiales y axiales admitidas por el reductor.

B3	B6	B7	B8	V5	V6	V8
4.50 LT	8.00 LT	5.50 LT	6.00 LT	10.00 LT	7.50 LT	Ask

AGIP Blasias 460

For all details on lubrication and plugs check our website **tab. 1**
Per maggiori dettagli su lubrificazione e tappi olio vedi il nostro sito web

RADIAL AND AXIAL LOADS

Output shaft
Albero di uscita

$F_{eq} = F_R \cdot \frac{117}{X+57}$

$F_R (N)$
 $F_A (N)$

$F_{eq} (N)$

n_2	FA	FR	n_2	FA	FR	n_2	FA	FR
300	2300	11500	140	2980	14900	70	3660	18300
250	2480	12400	120	3180	15900	40	4220	21100
200	2680	13400	85	3440	17200	15	4820	24100

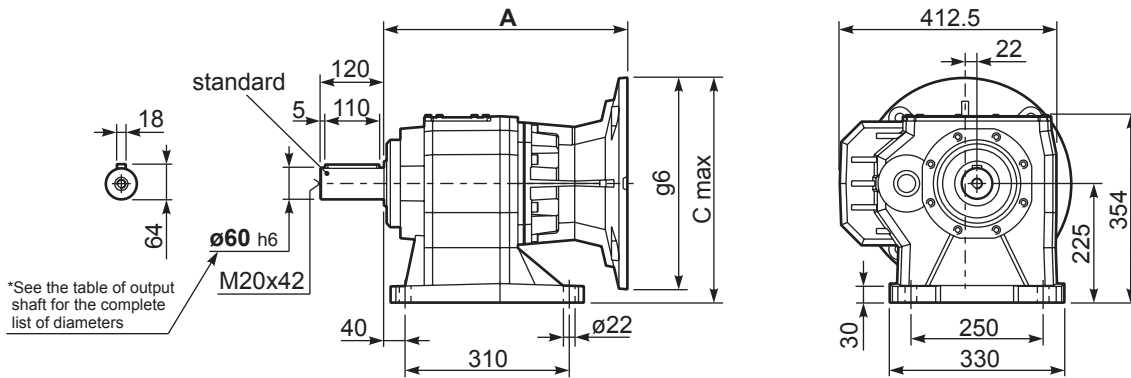
Input shaft
Albero in entrata

n_1	FA	FR
1400	1120	5600
900	1220	6100
500	1300	6500

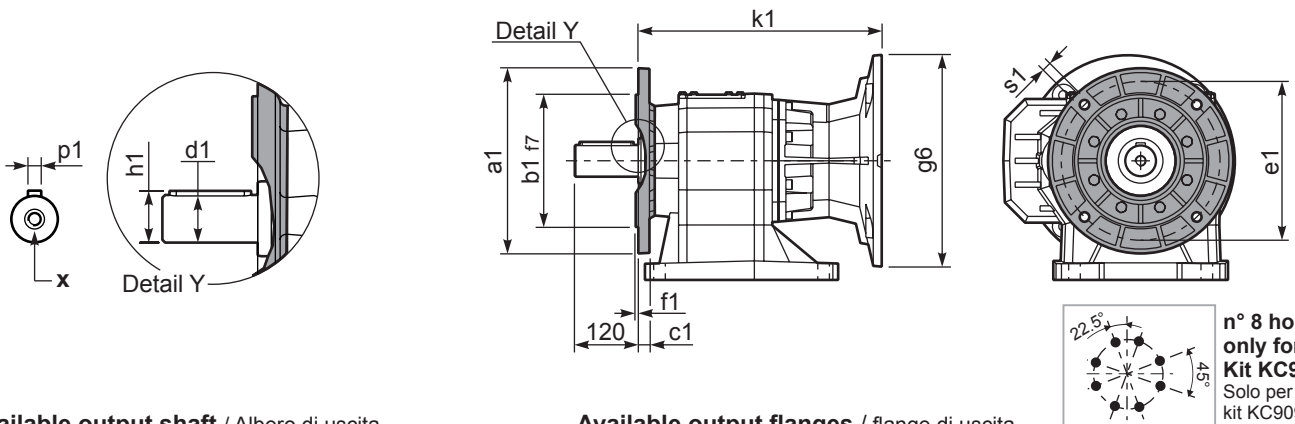
tab. 2

P1002**S9**... With foot
Con piedino

Gearbox weight **120.0 kg**
peso riduttore



P1002-**F**... Output flanges
flange di uscita



*Available output shaft / Albero di uscita

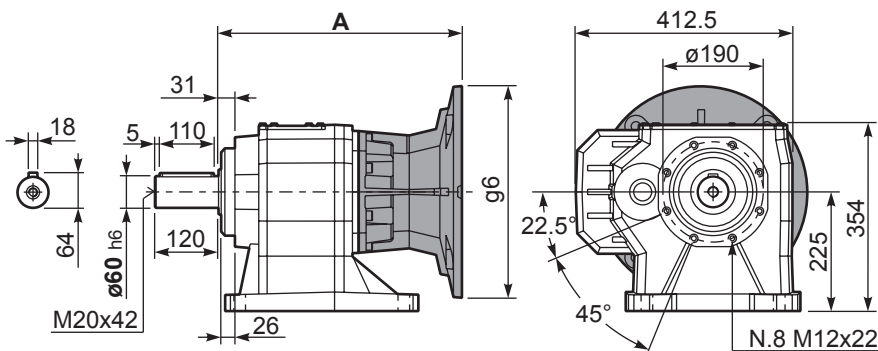
	Shaft - d1	p1	h1	x
Standard	ø 60x120	18	64	M20x42
On request A richiesta	-	-	-	-

Available output flanges / flange di uscita

a1 ø	b1	c1	e1	f1	s1	kit code
300	230	21	265	4	14	KC90.9.014
350	250	21	300	5	18	KC90.9.015
450	350	22	400	5	18	KC90.9.016

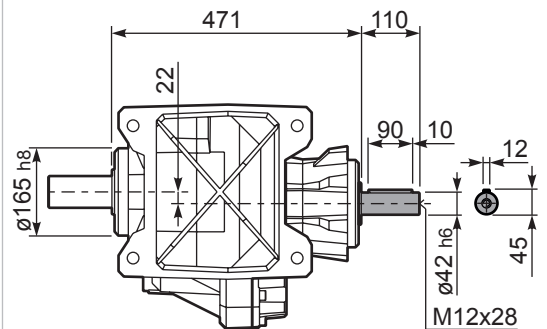
All flanges are compatible with the foot

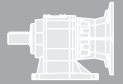
P1002**S9**... Basic gearbox
Riduttore base



B5 Motor Flanges	A	C _{max}	g6	k1	kit code
132 B5	435	375	300	435	KC1109052
160 B5	460	400	350	460	KC1109053
180 B5	460	400	350	460	KC1109053_B
200 B5	460	425	400	460	KC1109054

P1002**S9**... Input Shaft
Albero in entrata





QUICK SELECTION / Selezione veloce

input speed (n_1) = 1400 min⁻¹

Output Speed n_2 [min ⁻¹]	Ratio i	Motor power P_{1M} [kW]	Output torque M_{2M} [Nm]	Service factor f.s.	Nominal power P_{1R} [kW]	Nominal torque M_{2R} [Nm]	B5 motor flanges			B14 motor flanges			Output Shaft 	Output Shaft \varnothing	Ratios code
							-F	-G	-H	-	-	-			
							100	132	160	-	-	-			
38.8	36.11	11	2447	1.2	12.5	2900	B						301411		01
27.5	50.89	9	2941	1.0	9.2	3000	B						201414		02
25.1	55.73	7.5	2591	1.2	8.4	3000	B						201413		03
20.3	68.80	7.5	3199	0.9	6.8	3000	B						161414		04
18.6	75.35	5.5	2589	1.2	6.2	3000	B						161413		05
15.6	89.47	5.5	3074	1.0	5.2	3000	B						131414		06
15.2	92.02	5.5	3161	0.9	5.1	3000	B						161411	standard	07
14.3	97.99	4	2462	1.2	4.8	3000	B						131413	$\varnothing 60$	08
12.8	109.52	4	2752	1.1	4.3	3000	B						111414		09
11.7	119.94	4	3014	1.0	3.9	3000	B						111413		10
9.6	146.47	3	2771	1.1	3.2	3000	B						111411		11
8.8	158.37	3	2996	1.0	3.0	3000	B						81414		12
8.1	173.45	2.2	2416	1.2	2.7	3000	B						81413		13
6.6	211.82	2.2	2951	1.0	2.2	3000	B						81411		14

The dynamic efficiency is **0.94** for all ratios

Motor Flanges Available
Flange Motore Disponibili

B) Supplied with Reduction Bushing
Fornito con Bussola di Riduzione

B) Available on Request without reduction bushing
Disponibile a Richiesta senza Bussola di Riduzione

C) Motor Flange Holes Position
Posizione Fori Flangia Motore

EN Unit **1003** is supplied without lubricant and equipped with a breather, level and drain plugs. User can add mineral oil keeping existing plugs. Should the user wish to fill it with synthetic oil, it is recommended to replace the existing plugs with a closed plug. See table 1 for lubrication and recommended quantity. In table 2 please see possible radial loads and axial loads on the gearbox.

I Il riduttore tipo **1003** è fornito privo di lubrificazione con tappi di sfiato, livello e scarico olio. L'utente può immettere olio minerale mantenendo i tappi esistenti. Se immetterà olio sintetico, dovrà sostituire i tappi esistenti con altri tipo chiuso. Tab.1 per oli e quantità consigliati. Tab.2 carichi radiali e assiali applicabili al riduttore.

D Das Getriebe der Baugröße **1003** wird ohne Schmiermittel geliefert. Es ist jedoch mit Einfüllschraube, Überdruckventil und Ablassschraube ausgerüstet. Das benötigte mineralische Öl kann über die Einfüllschraube eingefüllt werden. Sollte synthetisches Öl bevorzugt werden, so ist sind das eingebaute Überdruckventil durch eine geschlossenen Schraube zu ersetzen. In Tabelle 1 ist die Schmiermenge und das empfohlene Schmiermittel angegeben. In Tabelle 2 sind die zulässigen Radial - und Axialbelastungen des Getriebes aufgeführt.

F Le réducteur de type **1003** est fourni sans lubrification et avec un bouchon de remplissage, de niveau et d'évacuation de l'huile. L'utilisateur peut y verser de l'huile minérale en conservant les bouchons existants. S'il y versera de l'huile synthétique, il devra substituer les bouchons existants avec d'autres bouchons de type fermé. Voir tableau 1 concernant les huiles et les quantités conseillées. Voir tableau 2 concernant les charges radiales et axiales applicables au réducteur

E El reductor tamaño **1003** se suministra sin lubricante, provisto de tapones de respiración, nivel y descarga de aceite. El usuario puede utilizar aceite mineral, manteniendo los tapones existentes. Si prefiere utilizar aceite sintético deberá sustituir los tapones existentes por tapones ciegos. La prerreducción se suministra con tapones ciegos, lubricado de por vida con aceite sintético. Ver tabla 1, para cantidades y aceites recomendados. En la tabla 2, se encuentran las cargas radiales y axiales admitidas por el reductor.

B3	B6	B7	B8	V5	V6	V8
5.00 LT	9.00 LT	6.50 LT	6.50 LT	11.00 LT	9.00 LT	Ask

AGIP Blasias 460

For all details on lubrication and plugs check our website [tab. 1](#)
Per maggiori dettagli su lubrificazione e tappi olio vedi il nostro sito web

RADIAL AND AXIAL LOADS

Output shaft
Albero di uscita

$F_{eq} = F_R \cdot \frac{117}{X+57}$

F_R (N)
 F_A (N)

F_{eq} (N)

n_2	FA	FR	n_2	FA	FR	n_2	FA	FR
300	2300	11500	140	2980	14900	70	3660	18300
250	2480	12400	120	3180	15900	40	4220	21100
200	2680	13400	85	3440	17200	15	4820	24100

Input shaft
Albero in entrata

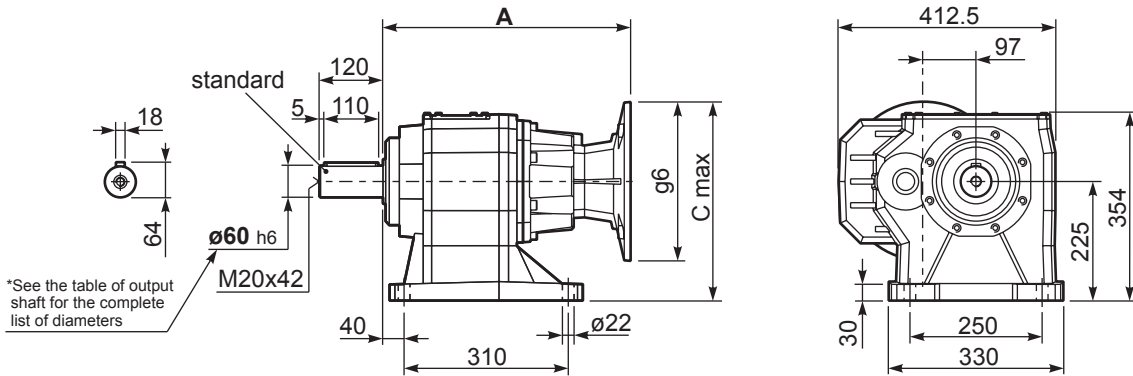
F_R (N)
 F_A (N)

n_1	FA	FR
1400	700	3500
900	840	4200
500	900	4500

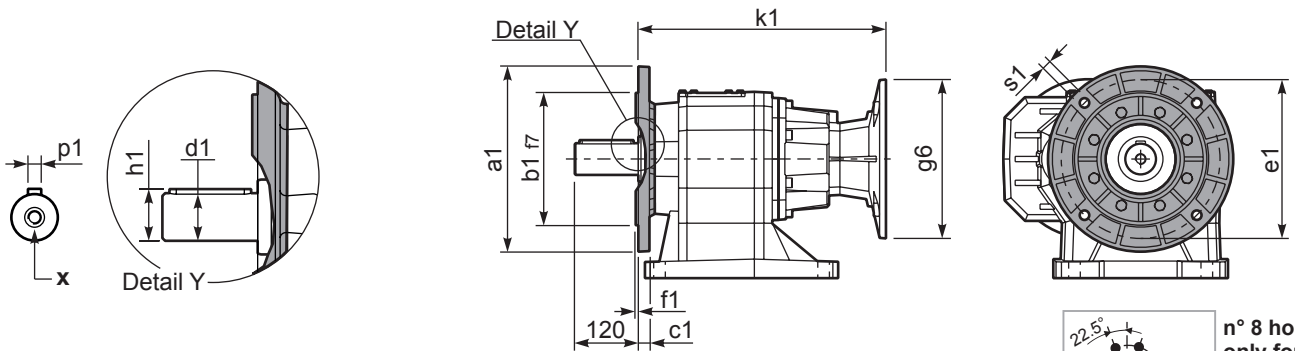
tab. 2

P1003**S9**... With foot
Con piedino

Gearbox weight
peso riduttore **116 kg**



P1003-**F**... Output flanges
flange di uscita



*Available output shaft / Albero di uscita

	Shaft - d1	p1	h1	x
Standard	ø 60x120	18	64	M20x42
On request A richiesta	-	-	-	-

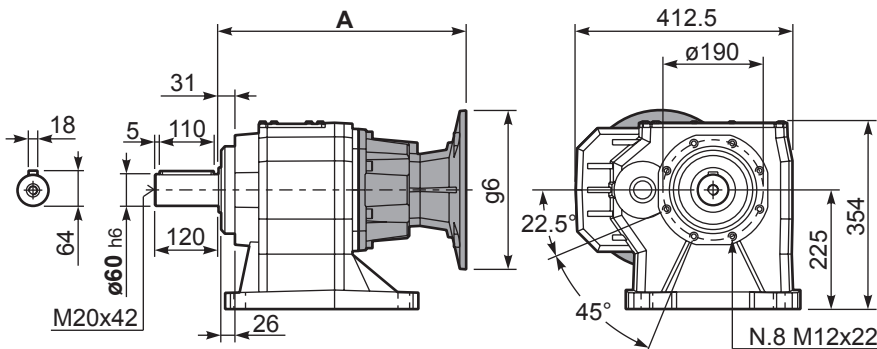
Available output flanges / flange di uscita

a1 ø	b1	c1	e1	f1	s1	kit code
300	230	21	265	4	14	KC90.9.014
350	250	21	300	5	18	KC90.9.015
450	350	22	400	5	18	KC90.9.016

n° 8 holes only for Kit KC909016
Solo per il kit KC909016

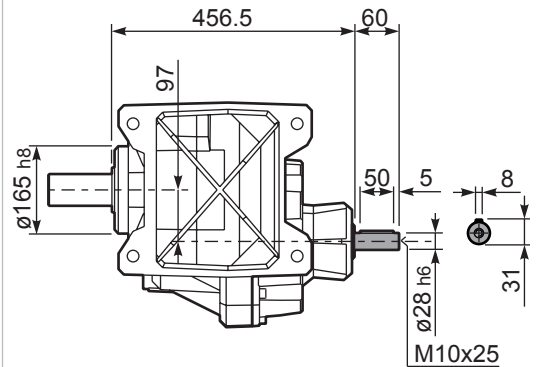
All flanges are compatible with the foot

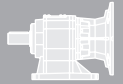
P1003**S9**... Basic gearbox
Riduttore base



B5 Motor Flanges	A	C _{max}	g6	k1	kit code
100/112 B5	468	350	250	468	KC1109056
132 B5	468	375	300	468	KC1109057
160 B5	483	400	350	483	KC1109058

R1003**S9**... Input Shaft
Albero di entrata





QUICK SELECTION / Selezione veloce

input speed (n_1) = 1400 min⁻¹

Output Speed n_2 [min ⁻¹]	Ratio i	Motor power P_{1M} [kW]	Output torque M_{2M} [Nm]	Service factor $f.s.$	Nominal power P_{1R} [kW]	Nominal torque M_{2R} [Nm]	B5 motor flanges					B14 motor flanges			Output Shaft 	Ratios code
							-G	-H	-I	-L	CA	-	-	-		
							132	160	180	200	225	-	-	-		
294	4.75	45	1333	2.0	86.7	2700									3914	01
269	5.21	45	1460	1.9	82.1	2800									3913	02
220	6.36	45	1783	1.7	72.0	3000									3911	03
188	7.45	45	2088	1.6	67.7	3300									3014	04
172	8.15	45	2287	1.5	63.7	3400									3013	05
141	9.96	45	2792	1.3	55.2	3600									3011	06
120	11.69	45	3277	1.2	49.7	3800									2214	07
109	12.80	45	3589	1.1	47.7	4000									2213	08
90	15.63	45	4383	1.0	42.0	4300									2211	09
79	17.65	37	4068	1.1	38.9	4500									1614	10
72	19.33	37	4455	1.0	35.6	4500									1613	11
67	20.77	30	3910	1.2	33.1	4500									1414	12
62	22.75	30	4282	1.1	30.2	4500									1413	13
59	23.60	30	4443	1.0	29.1	4500									1611	14
50	27.78	22	3842	1.2	24.7	4500									1411	15
45.5	30.76	22	4255	1.1	22.3	4500									1014	16
41.6	33.69	22	4660	1.0	20.4	4500									1013	17
34.0	41.15	18.5	4781	0.9	16.7	4500									1011	18

The dynamic efficiency is **0.96** for all ratios

Motor Flanges Available
Flange Motore Disponibili

B) Supplied with Reduction Bushing
Fornito con Bussola di Riduzione

B) Available on Request without reduction bushing
Disponibile a Richiesta senza Bussola di Riduzione

C) Motor Flange Holes Position
Posizione Fori Flangia Motore

EN Unit 1102 is supplied without lubricant and equipped with a breather, level and drain plugs. User can add mineral oil keeping existing plugs. Should the user wish to fill it with synthetic oil, it is recommended to replace the existing plugs with a closed plug.
See table 1 for lubrication and recommended quantity. In table 2 please see possible radial loads and axial loads on the gearbox.

I Il riduttore tipo 1102 è fornito privo di lubrificazione con tappi di sfiato, livello e scarico olio. L'utente può immettere olio minerale mantenendo i tappi esistenti. Se immetterà olio sintetico, dovrà sostituire i tappi esistenti con altri tipo chiuso.
Tab.1 per oli e quantità consigliati.
Tab.2 carichi radiali e assiali applicabili al riduttore.

D Das Getriebe der Baugröße 1102 wird ohne Schmiermittel geliefert. Es ist jedoch mit Einfüllschraube, Überdruckventil und Ablassschraube ausgerüstet. Das benötigte mineralische Öl kann über die Einfüllschraube eingefüllt werden. Sollte synthetisches Öl bevorzugt werden, so ist sind das eingebaute Überdruckventil durch eine geschlossenen Schraube zu ersetzen.
In Tabelle 1 ist die Schmiermenge und das empfohlene Schmiermittel angegeben
In Tabelle 2 sind die zulässigen Radial - und Axialbelastungen des Getriebes aufgeführt.

F Le réducteur de type 1102 est fourni sans lubrification et avec un bouchon de remplissage, de niveau et d'évacuation de l'huile. L'utilisateur peut y verser de l'huile minérale en conservant les bouchons existants. S'il y versera de l'huile synthétique, il devra substituer les bouchons existants avec d'autres bouchons de type fermé.
Voir tableau 1 concernant les huiles et les quantités conseillées.
Voir tableau 2 concernant les charges radiales et axiales applicables au réducteur

E El reductor tamaño 1102 se suministra sin lubricante, provisto de tapones de respiración, nivel y descarga de aceite. El usuario puede utilizar aceite mineral, manteniendo los tapones existentes. Si prefiere utilizar aceite sintético deberá sustituir los tapones existentes por tapones ciegos. La prerreducción se suministra con tapones ciegos, lubricado de por vida con aceite sintético. Ver tabla 1, para cantidades y aceites recomendados. En la tabla 2, se encuentran las cargas radiales y axiales admitidas por el reductor.

B3	B6	B7	B8	V5	V6	V8
6.50 LT	12.50 LT	7.50 LT	8.50 LT	14.50 LT	11.50 LT	Ask

AGIP Blasias 460

For all details on lubrication and plugs check our website **tab. 1**
Per maggiori dettagli su lubrificazione e tappi olio vedi il nostro sito web

RADIAL AND AXIAL LOADS

Output shaft
Albero di uscita

$F_{eq} = FR \cdot \frac{138}{X+68}$

n_2	FA	FR	n_2	FA	FR	n_2	FA	FR
300	2600	13000	140	3300	16500	70	4300	21500
250	2700	13500	120	3500	17500	40	5000	25000
200	3000	15000	85	3900	19500	15	5900	29500

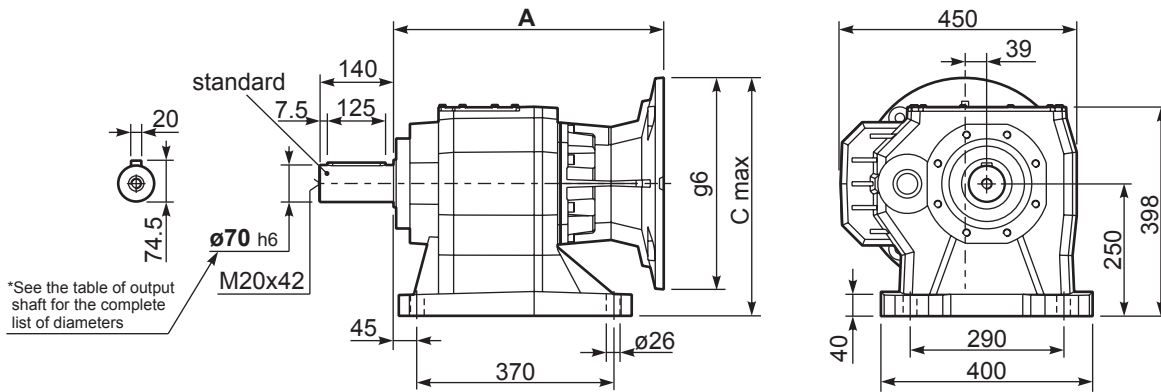
Input shaft
Albero in entrata

n_1	FA	FR
1400	1120	5600
900	1220	6100
500	1300	6500

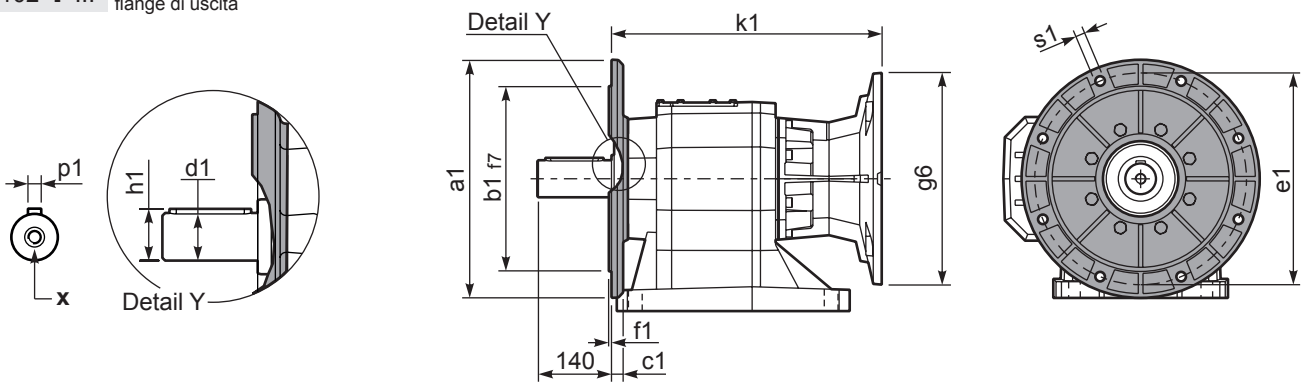
tab. 2

P1102**S0**... With foot
Con piedino

Gearbox weight
peso riduttore **165 kg**



P1102-**F**... Output flanges
flange di uscita



*Available output shaft / Albero di uscita

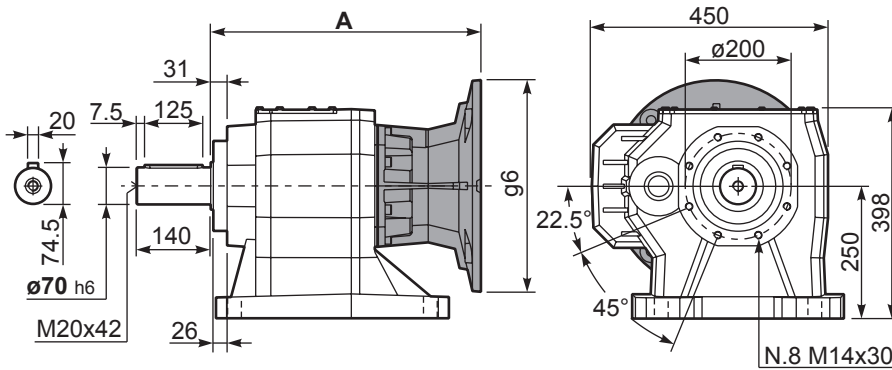
	Shaft - d1	p1	h1	x
Standard	ø 70x140	20	74.5	M20x42
On request A richiesta	-	-	-	-

Available output flanges / flange di uscita

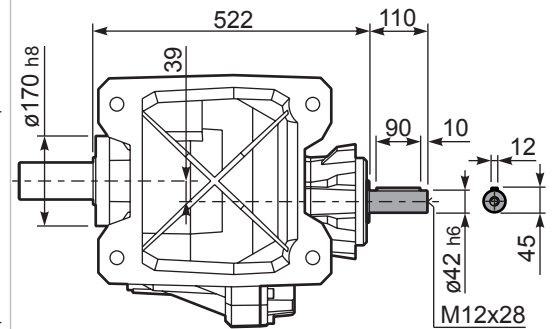
a1 ø	b1	c1	e1	f1	s1	kit code
350	250	21	300	5	18	KC110.9.015
450	350	22	400	5	18	KC110.9.016
-	-	-	-	-	-	-

All flanges are compatible with the foot

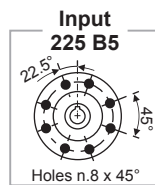
P1102**S0**... Basic gearbox
Riduttore base

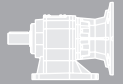


R1102**S0**... Input Shaft
Albero in entrata



B5 Motor Flanges	A	C _{max}	g6	k1	kit code
132 B5	485.5	400	300	485.5	KC1109052
160 B5	510.5	425	350	510.5	KC1109053
180 B5	510.5	425	350	510.5	KC1109053_B
200 B5	510.5	450	400	510.5	KC1109054
225 B5	537.5	475	450	537.5	KC1109055





QUICK SELECTION / Selezione veloce

input speed (n₁) = 1400 min⁻¹

Output Speed n ₂ [min ⁻¹]	Ratio i	Motor power P _{1M} [kW]	Output torque M _{2M} [Nm]	Service factor f.s.	Nominal power P _{1R} [kW]	Nominal torque M _{2R} [Nm]	Available B5 motor flanges				B14 motor flanges			Output Shaft 	Ratios code
							-F	-G	-H	-I	-	-	-		
							100 112	132	160	180	-	-	-		
38.8	36.11	18.5	4113	1.1	19.4	4500	B						301411	01	
27.5	50.89	15	4694	1.0	14.1	4600	B						201414	02	
25.1	55.73	11	3777	1.2	12.9	4600	B						201413	03	
20.3	68.80	11	4662	1.0	10.4	4600	B						161414	04	
18.6	75.35	9	4354	1.1	9.5	4600	B						161413	05	
15.6	89.47	7.5	4160	1.1	8.0	4600	B						131414	06	
15.2	92.02	7.5	4278	1.1	7.6	4500	B						161411	07	
14.3	97.99	7.5	4556	1.0	7.3	4600	B						131413	08	
12.8	109.52	5.5	3762	1.2	6.6	4600	B						111414	09	
11.7	119.94	5.5	4120	1.1	6.0	4600	B						111413	10	
9.6	146.47	4	3681	1.2	4.8	4500	B						111411	11	
8.8	158.37	4	3980	1.2	4.5	4600	B						81414	12	
8.1	173.45	4	4359	1.1	4.1	4600	B						81413	13	
6.6	211.82	3	4007	1.1	3.3	4500	B						81411	14	

The dynamic efficiency is **0.94** for all ratios

Motor Flanges Available
Flange Motore Disponibili

B) Supplied with Reduction Bushing
Fornito con Bussola di Riduzione

B) Available on Request without reduction bushing
Disponibile a Richiesta senza Bussola di Riduzione

C) Motor Flange Holes Position
Posizione Fori Flangia Motore

EN Unit 1103 is supplied without lubricant and equipped with a breather, level and drain plugs. User can add mineral oil keeping existing plugs. Should the user wish to fill it with synthetic oil, it is recommended to replace the existing plugs with a closed plug.
See table 1 for lubrication and recommended quantity.
In table 2 please see possible radial loads and axial loads on the gearbox.

I Il riduttore tipo 1103 è fornito privo di lubrificazione con tappi di sfiato, livello e scarico olio. L'utente può immettere olio minerale mantenendo i tappi esistenti. Se immetterà olio sintetico, dovrà sostituire i tappi esistenti con altri tipo chiuso.
Tab.1 per oli e quantità consigliati.
Tab.2 carichi radiali e assiali applicabili al riduttore.

D Das Getriebe der Baugröße 1103 wird ohne Schmiermittel geliefert. Es ist jedoch mit Einfüllschraube, Überdruckventil und Ablassschraube ausgerüstet. Das benötigte mineralische Öl kann über die Einfüllschraube eingefüllt werden. Sollte synthetisches Öl bevorzugt werden, so ist sind das eingebaute Überdruckventil durch eine geschlossenen Schraube zu ersetzen.
In Tabelle 1 ist die Schmiermenge und das empfohlene Schmiermittel angegeben
In Tabelle 2 sind die zulässigen Radial - und Axialbelastungen des Getriebes aufgeführt.

F Le réducteur de type 1103 est fourni sans lubrification et avec un bouchon de remplissage, de niveau et d'évacuation de l'huile. L'utilisateur peut y verser de l'huile minérale en conservant les bouchons existants. S'il y versera de l'huile synthétique, il devra substituer les bouchons existants avec d'autres bouchons de type fermé.
Voir tableau 1 concernant les huiles et les quantités conseillées.
Voir tableau 2 concernant les charges radiales et axiales applicables au réducteur

E El reductor tamaño 1103 se suministra sin lubricante, provisto de tapones de respiración, nivel y descarga de aceite. El usuario puede utilizar aceite mineral, manteniendo los tapones existentes. Si prefiere utilizar aceite sintético deberá sustituir los tapones existentes por tapones ciegos. La prerreducción se suministra con tapones ciegos, lubricado de por vida con aceite sintético.
Ver tabla 1, para cantidades y aceites recomendados.
En la tabla 2, se encuentran las cargas radiales y axiales admitidas por el reductor.

B3	B6	B7	B8	V5	V6	V8
7.00 LT	13.00 LT	8.00 LT	9.00 LT	16.00 LT	13.50 LT	Ask

AGIP Blasias 460

For all details on lubrication and plugs check our website **tab. 1**
Per maggiori dettagli su lubrificazione e tappi olio vedi il nostro sito web

RADIAL AND AXIAL LOADS

Output shaft
Albero di uscita

$F_{eq} = F_R \cdot \frac{138}{X+68}$

FR (N)
FA (N)

F_{eq} (N)

n ₂	FA	FR	n ₂	FA	FR	n ₂	FA	FR
300	2600	13000	140	3300	16500	70	4300	21500
250	2700	13500	120	3500	17500	40	5000	25000
200	3000	15000	85	3900	19500	15	5900	29500

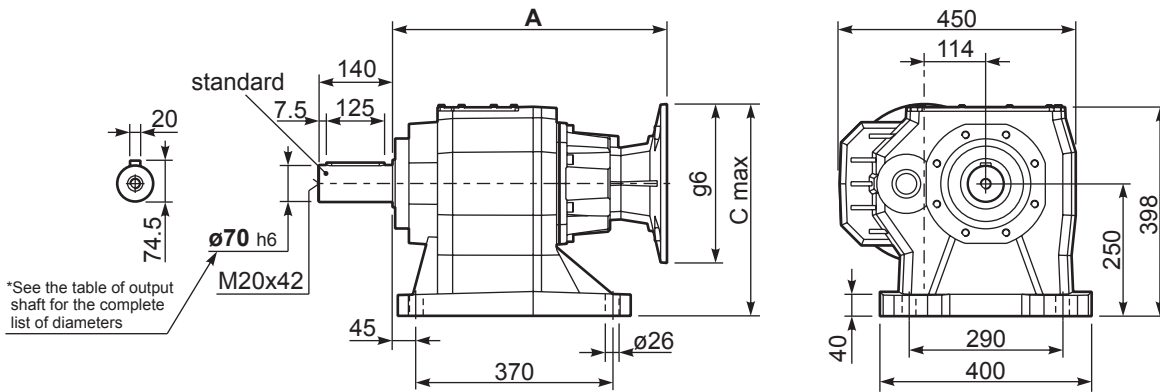
Input shaft
Albero in entrata

n ₁	FA	FR
1400	700	3500
900	840	4200
500	900	4500

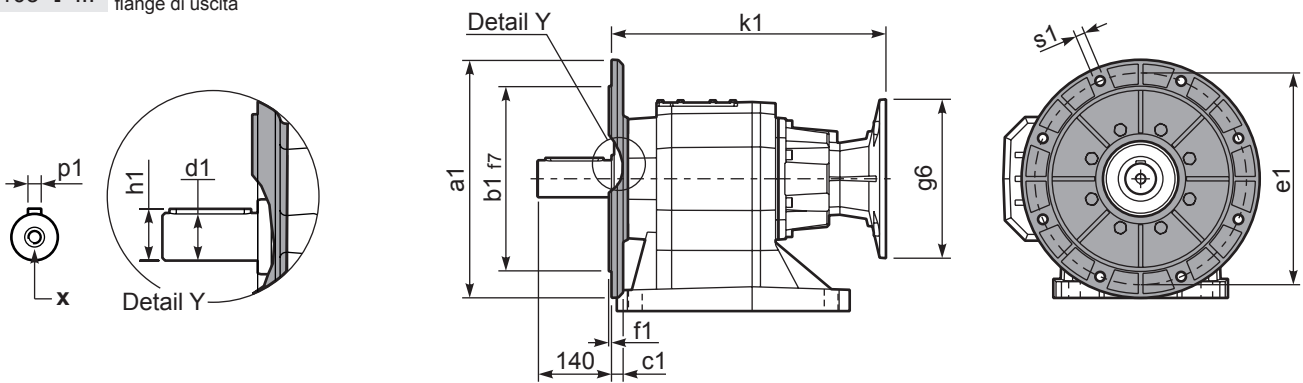
tab. 2

P1103**S0**... With foot
Con piedino

Gearbox weight
peso riduttore **156 kg**



P1103-**F**... Output flanges
flange di uscita



*Available output shaft / Albero di uscita

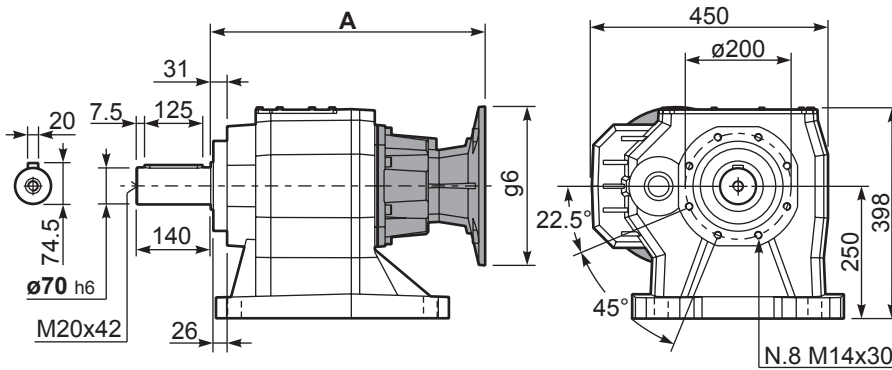
	Shaft - d1	p1	h1	x
Standard	ø 70x140	20	74.5	M20x42
On request A richiesta	-	-	-	-

Available output flanges / flange di uscita

a1 ø	b1	c1	e1	f1	s1	kit code
350	250	21	300	5	18	KC110.9.015
450	350	22	400	5	18	KC110.9.016
-	-	-	-	-	-	-

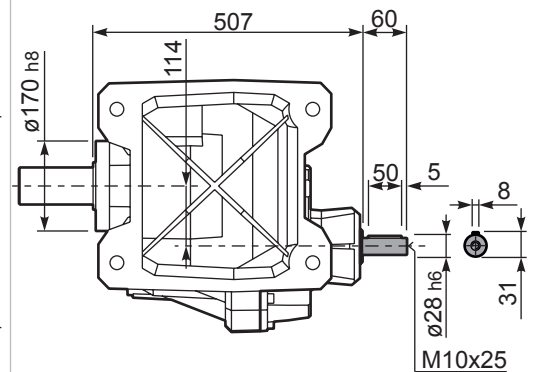
All flanges are compatible with the foot

P1103**S0**... Basic gearbox
Riduttore base



B5 Motor Flanges	A	C _{max}	g6	k1	kit code
100/112 B5	518.5	375	250	518.5	KC1109056
132 B5	518.5	400	300	518.5	KC1109057
160 B5	533.5	425	350	533.5	KC1109058
180 B5	533.5	425	350	533.5	KC1109058_B

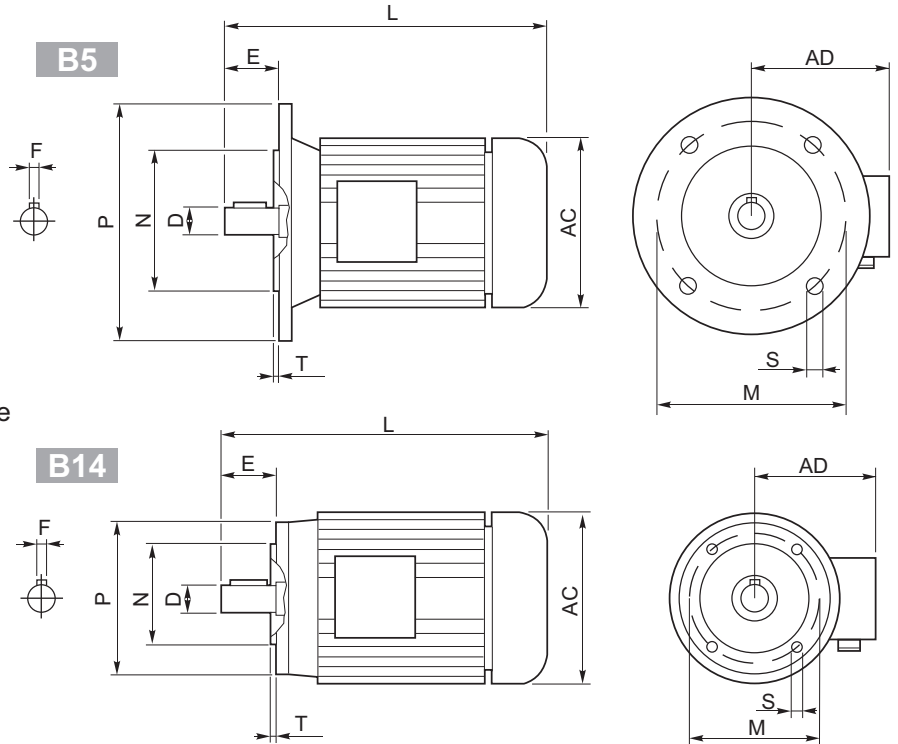
R1103**S0**... Input Shaft
Albero in entrata





- 1) 230/400V - 50Hz three-phase asynchronous induction motor
- 2) Class F insulation
- 3) S1 duty
- 4) IP 55 protection
- 5) Not painted
- 6) Hard plastic sleeve to protect output shaft during the transportation

- 1) 230/400V - 50Hz motore trifase asincrono
- 2) Isolamento Classe F
- 3) S1 servizio continuo
- 4) Protezione IP 55
- 5) Non verniciato
- 6) Manicotto di protezione per l'albero motore



Outside dimensions and weight may be different according to manufacturers.
Le dimensioni esterne e il peso sono indicative, possono variare tra i vari costruttori.

	2 poli / poles			4 poli / poles			6 poli / poles			B5-B14					B5					B14					Kg	
	kW	Nm	A _(400V)	kW	Nm	A _(400V)	kW	Nm	A _(400V)	D	F	E	L	AC	AD	N	M	P	S	T	N	M	P	S		T
56 A	0.09	0.32	0.38	0.06	0.44	0.27	—	—	—	9	3	20	199	108	96	80	100	120	7	2.5	50	65	80	M5	2.5	2.7
56 B	0.12	0.42	0.46	0.09	0.67	0.37	—	—	—	9	3	20	199	108	96	80	100	120	7	2.5	50	65	80	M5	2.5	2.9
63 A	0.18	0.63	0.60	0.12	0.84	0.50	0.09	0.99	0.57	11	4	23	208	120	99	95	115	140	9.5	3	60	75	90	M5	2.5	3.8
63 B	0.25	0.87	0.76	0.18	1.30	0.69	0.12	1.32	0.74	11	4	23	208	120	99	95	115	140	9.5	3	60	75	90	M5	2.5	4.2
71 A	0.37	1.30	1.00	0.25	1.70	0.91	0.18	1.90	0.80	14	5	30	-	130	104	110	130	160	9.5	3.5	70	85	105	M6	2.5	5.9
71 B	0.55	1.90	1.54	0.37	2.52	1.14	0.25	2.72	1.10	14	5	30	255	141	107	110	130	160	9.5	3.5	70	85	105	M6	2.5	6.5
80 A	0.75	2.60	1.85	0.55	3.77	1.51	0.37	3.84	1.18	19	6	40	296	159	127	130	165	200	11.5	3.5	80	100	120	M6	3	8.5
80 B	1.1	3.90	2.64	0.75	5.11	2.57	0.55	5.84	1.80	19	6	40	296	159	127	130	165	200	11.5	3.5	80	100	120	M6	3	10
90 S	1.5	5.00	3.31	1.1	7.45	2.78	0.75	7.92	2.32	24	8	50	-	170	135	130	165	200	11.5	3.5	95	115	140	M8	3	12.5
90 L	2.2	7.50	4.46	1.5	10.2	3.61	1.1	11.6	3.45	24	8	50	330	170	135	130	165	200	11.5	3.5	95	115	140	M8	3	15
100 LA	3.0	10.0	6.28	2.2	14.8	5.07	1.5	15.4	3.88	28	8	60	-	190	148	180	215	250	13	4	110	130	160	M8	3.5	20
100 LB	—	—	—	3.0	20.1	6.66	—	—	—	28	8	60	-	190	148	180	215	250	13	4	110	130	160	M8	3.5	22
112 M	4.0	13.4	8.10	4.0	26.7	8.55	2.2	22.6	5.30	28	8	60	381	210	164	180	215	250	13	4	110	130	160	M8	3.5	35
132 S	5.5	18.3	11.2	5.5	36.5	11.4	3.0	30.2	7.20	38	10	80	455	244	180	230	265	300	14	4	130	165	200	M10	4	41
	7.5	24.9	15.3																							51
132 M	—	—	—	7.5	49.4	15.0	4.0	40.0	9.13	38	10	80	500	244	180	230	265	300	14	4	130	165	200	M10	4	51
	9	61.4	18.5	51																						
160 M	—	—	—	11	72	21.5	—	—	—	42	12	110	613	335	246	250	300	350	18	5	—	—	—	—	—	79.2
160 L	—	—	—	15	98	29	—	—	—	42	12	110	657	335	246	250	300	350	18	5	—	—	—	—	—	97.5
180 M	—	—	—	18.5	121	35.5	—	—	—	48	14	110	712	366	266	250	300	350	19	5	—	—	—	—	—	170
180 L	—	—	—	22	144	42	—	—	—	48	14	110	712	366	266	250	300	350	19	5	—	—	—	—	—	170
200 L	—	—	—	30	196	53	—	—	—	55	16	110	780	405	341	300	350	400	19	5	—	—	—	—	—	240
225 S	—	—	—	37	240	69	—	—	—	60	18	140	888	463	360	350	400	450	19	5	—	—	—	—	—	305
225 M	—	—	—	45	292	84	—	—	—	60	18	140	888	463	360	350	400	450	19	5	—	—	—	—	—	310



Protection

Standard IP55
Please specify on purchase orders if you need a higher IP protection class.

Grado di protezione

IP55 Standard
Specificare in sede di ordinazione per IP superiore.

Schutzart

IP55 Standard.
Höheren IP Grad bitte im Auftrag angeben.

Degré de protection

IP55 standard.
Au moment de la commande, spécifiez si vous souhaitez IP supérieur.

Grado de protección
IP55 standard.
Especificar en el pedido cuando necesiten protección IP superior.

Insulation

Standard CI.F
To be specified upon placing the order if different insulation is required.

Isolamento

CI.F Standard
Specificare in sede di ordinazione classe di isolamento diversa.

Isolierung

CI.F Standard.
Davon abweichende Isolierungsklasse im Auftrag angeben.

Isolement

CI.F Standard.
Au moment de la commande, spécifiez si vous souhaitez une classe d'isolement différente.

Aislamiento

CI.F standard.
Especificar al efectuar el pedido la clase diferente de aislamiento.

Insulation / Isolamento Isolierung /Aislamiento		E	B	F	H
Max. temp.	C°	120°	130°	155°	175°
	F*	248°	266°	311°	347°

Connections

Collegamenti

Verbindungselemente

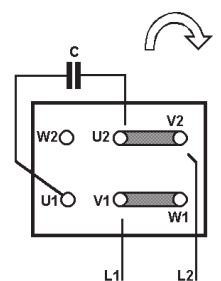
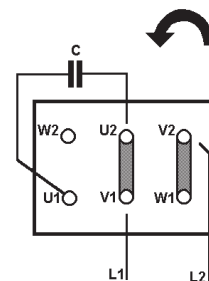
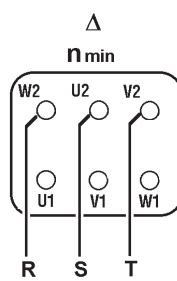
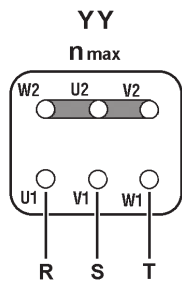
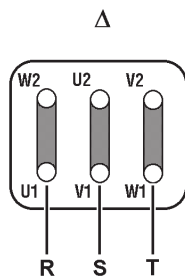
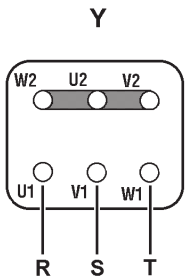
Branchements

Conexiones

Threephase asynchronous single polarity
Asincrono trifase singola polarità
Asynchronmotor 3-ph eine Drehzahl
Moteur triphasé à une vitesse
Asincrono trifasico de una velocidad

Threephase asynchronous double polarity
Asincrono trifase doppia polarità
Asynchronmotor 3-ph doppelte Drehzahl
Moteur triphasé à deux vitesses
Asincrono trifasico de dos velocidades

Single phase asynchronous
Asincrono monofase
Einphasen-Asynchronmotor
Moteur monophasé
Asincrono monofasico



Please Read Carefully

The following WARNING and CAUTION information is supplied to you for your protection and to provide you with many years of trouble free and safe operation of your product.

Read ALL instructions prior to operating reducer. Injury to personnel or reducer failure may be caused by improper installation, maintenance or operation.

WARNING:

- Written authorization is required to operate or use reducers in man lift or people moving devices.
- Check to make sure that certain applications do not exceed the allowable load capacities published in the current catalog.
- Buyer shall be solely responsible for determining the adequacy of the product for any and all uses to which Buyer shall apply the product. The application by Buyer shall not be subject to any implied warranty of fitness for a particular purpose.
- For safety, Buyer or User should provide protective guards over all shaft extensions and any moving apparatus mounted thereon. The User is responsible for checking all applicable safety codes in his area and providing suitable guards. Failure to do so may result in bodily injury and/or damage to equipment.
- Gearboxes operating in high position should have a protective shield for any possible parts falling down for casual accidents where people are moving under them.
- Hot oil and reducers can cause severe burns. Use extreme care when removing lubrication plugs and vents.
- Make certain that the power supply is disconnected before attempting to service or remove any components. Lock out the power supply and tag it to prevent unexpected application power.
- Reducers are not to be considered fail safe or self-locking devices. If these features are required, a properly sized, independent holding device should be utilized. Reducers should not be used as a brake.
- Any brakes that are used in conjunction with a reducer must be sized or positioned in such a way so as to not subject the reducer to loads beyond the catalog rating.
- Lifting supports including eyebolts are to be used for vertically lifting the gearbox only and not other associated attachments or motors.
- Use of an oil with an EP additive on units with backstops may prevent proper operation of the backstop. Injury to personnel, damage to the reducer or other equipment may result.
- Overhung loads subject shaft bearings and shafts to stress which may cause premature bearing failure and or shaft breakage from bending fatigue, if not sized properly.

SELLING CONDITIONS

Warranty for manufacturing defects will expire one-year the invoicing date. Hydro-Mec will replace or repair defective parts but will not accept any further changes for direct or indirect damages of any kind. The warranty will become null and void if repairs or changes are carried out without our prior written authorization.

Our company will not be responsible for any direct or indirect damages, caused by a wrong use of the products or for not observing the catalogue/web indication

Leggere attentamente

Le seguenti raccomandazioni sono fondamentali per la vostra protezione e per garantirvi molti anni di sicuro funzionamento del vostro prodotto senza alcun problema.

Leggere attentamente tutte le istruzioni prima di azionare il riduttore. L'inappropriata installazione, manutenzione o funzionamento del riduttore può causare incidenti al personale addetto e danni al riduttore stesso.

ATTENZIONE:

- E' richiesta autorizzazione scritta per azionare riduttori in ascensori o dispositivi per il movimento delle persone.
- Controllare che alcune applicazioni non eccedano la massima capacità di carico ammessa pubblicata in questo catalogo.
- L'acquirente è l'unico responsabile per la determinazione dell'adeguatezza del prodotto per qualcuna o tutte le utilizzazioni che l'acquirente stesso farà del riduttore. L'applicazione dell'acquirente non potrà essere soggetta ad alcuna implicita garanzia di montaggio per uno scopo particolare.
- Per ragioni di sicurezza l'acquirente dovrà provvedere a porre protezioni adeguate su tutta la lunghezza dell'albero a tutti gli organi in movimento. L'utilizzatore è responsabile del controllo di tutti i codici di sicurezza e la predisposizione di protezioni adeguate. In assenza di tali precauzioni si possono verificare incidenti alle persone e danni agli apparati.
- Su riduttori installati in posizioni elevate utilizzare protezioni adeguate per qualsiasi distacco accidentale di parti nel caso di passaggio di persone al di sotto.
- Olio e riduttori bollenti possono causare gravi ustioni. Usare estrema cautela nella rimozione dei tappi e delle ventole.
- Assicurarsi che la corrente di alimentazione sia scollegata prima di riparare o rimuovere alcun componente. Chiudere l'alimentazione e contrassegnare tale operazione per evitare accensioni accidentali.
- I riduttori non devono essere considerati esenti da guasti o a bloccaggio automatico. Se sono indispensabili queste caratteristiche, deve essere utilizzato un dispositivo indipendente della dimensione adatta. I riduttori non devono essere utilizzati come freni.
- Qualsiasi freno sia utilizzato insieme al riduttore deve essere della giusta grandezza e posizionato in modo da non causare carichi eccessivi non previsti dai dati forniti nel catalogo.
- I dispositivi di sollevamento come le golfare devono essere usati solo per sollevare verticalmente il riduttore e non altri dispositivi associati o motori.
- L'utilizzo di un olio con un additivo EP su gruppi provvisti di dispositivo di arresto possono inficiare l'uso corretto del freno e provocare danni alle persone, alle cose ed al riduttore stesso nonché ad altri apparecchi.
- I Carichi sospesi assoggettano i cuscinetti della vite e la vite stessa a sollecitazioni che possono causare, se non adeguatamente dimensionati, l'usura prematura dei cuscinetti e/o la rottura della vite a causa della resistenza alla flessione.

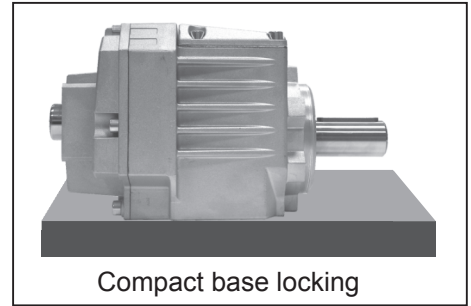
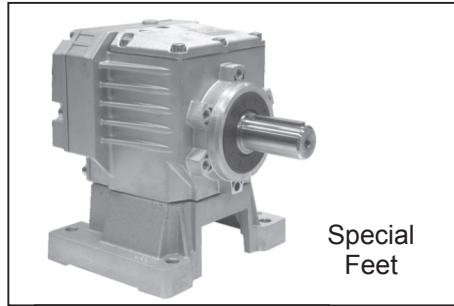
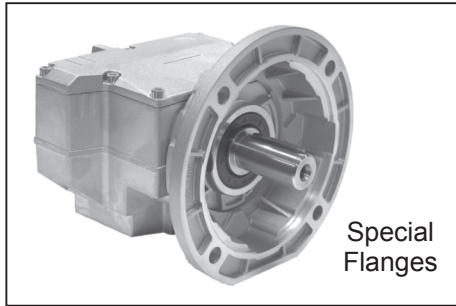
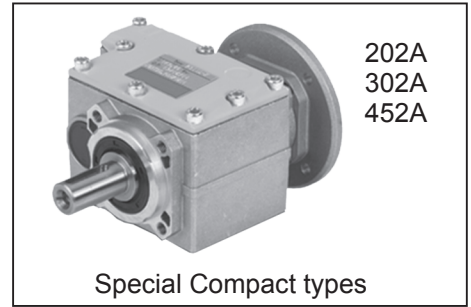
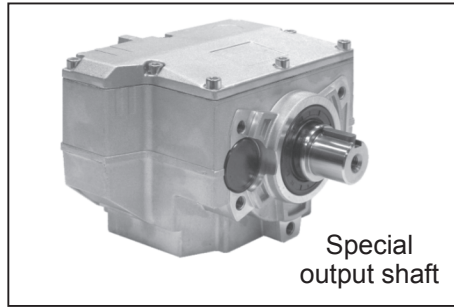
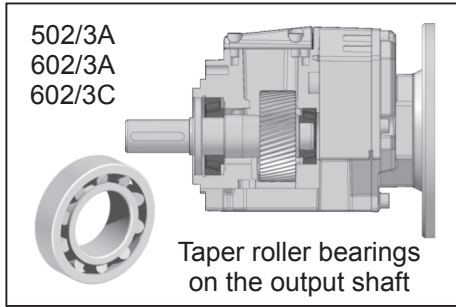
CONDIZIONI DI VENDITA

La garanzia relativa a difetti di costruzione ha la durata di un anno dalla data di fatturazione della merce. Tale garanzia comporta per Hydro-mec l'onere della sostituzione o riparazione delle parti difettose ma non ammette ulteriori addebiti per eventuali danni diretti o indiretti di qualsiasi natura.

La garanzia decade nel caso in cui siano state eseguite riparazioni o apportate modifiche senza nostro consenso scritto.

La nostra ditta non si ritiene responsabile per eventuali danni diretti o indiretti derivanti da un uso improprio dei prodotti e dalla mancata osservanza delle indicazioni riportate a catalogo o web..

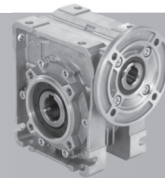
New options available



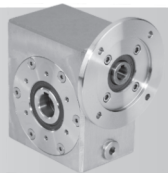
Others HYDRO-MEC products



Worm gearboxes
Rid. a vite senza fine



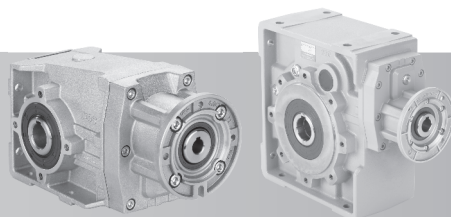
Square worm gearboxes
Rid. a vite senza fine quadro



Stainless steel worm gearboxes
Rid. a vite senza fine Inox



Stainless steel one step gearbox
Riduttore uno stadio Inox

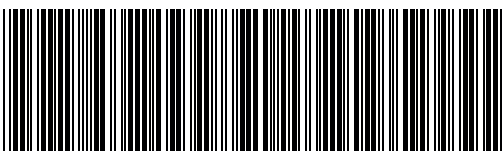


Helical bevel gearboxes
Rid. a coppia conica

Distributed From:

HYDRO-MEC

Via della tecnica, 19
36050 SOVIZZO (VI) ITALY
Tel.: +39 0444 551911
Fax: +39 0444 536139
e-mail: hydromec@hydromec.com
Website: www.hydromec.com



* CT - RCM - WO - HM0 1 7

