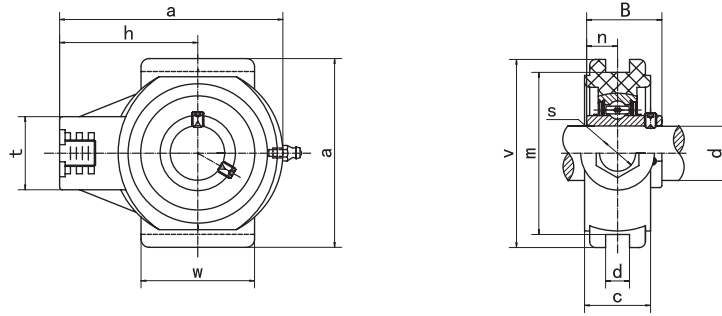
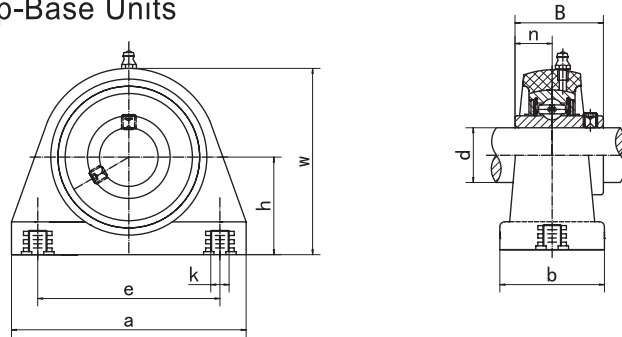


**Thermoplastic Housed Take-up Units**



Unit NO.	Dimensions ( mm / in. )												Bearing No.	Housing No.	Weight (kg)	
	d	a	c	d	h	m	s	t	v	w	B	n				
SS-UCTPL204	3/4	20	99.0	27.5	12.0	64.0	76.0	M16	36.0	88.0	47.0	31.0	12.7	SS-UC204	TPL204	0.35
SS-UCTPL205	13/16 ; 7/8 ; 15/16 ; 1	25	99.0	27.5	12.0	64.0	76.0	M16	36.0	88.0	47.0	34.1	14.3	SS-UC205	TPL205	0.40
SS-UCTPL206	1-1/16 ; 1-1/8 ; 1-3/16 ; 1-1/4	30	125.0	34.5	12.0	76.0	89.0	M16	40.0	102.0	63.0	38.1	15.9	SS-UC206	TPL206	0.55
SS-UCTPL207	1-1/4 ; 1-5/16 ; 1-3/8 ; 1-7/16	35	125.0	34.5	12.0	76.0	89.0	M16	40.0	102.0	63.0	42.9	17.5	SS-UC207	TPL207	0.80
SS-UCTPL208	1-1/2 ; 1-9/16	40	140.0	34.5	16.0	85.0	102.0	M16	40.0	114.0	80.0	49.2	19.0	SS-UC208	TPL208	0.95
SS-UCTPL209	1-5/8 ; 1-11/16 ; 1-3/4	45	149.0	40.0	16.0	90.0	102.0	M20	50.0	117.0	85.0	49.2	19.0	SS-UC209	TPL209	1.10
SS-UCTPL210	1-13/16 ; 1-7/8 ; 1-15/16 ; 2	50	149.0	40.0	16.0	90.0	102.0	M20	50.0	117.0	85.0	51.6	19.0	SS-UC210	TPL210	1.25
SS-UCTPL211	2 ; 2-1/16 ; 2-1/8 ; 2-3/16	55	171.0	38.0	22.0	106.0	130.0	M20	64.0	146.0	95.0	55.6	22.2	SS-UC211	TPL211	1.62
SS-UCTPL212	2-1/4 ; 2-5/16 ; 2-3/8 ; 2-7/16	60	194.0	42.0	22.0	119.0	130.0	M20	64.0	146.0	102.0	65.1	25.4	SS-UC212	TPL212	1.78

**Thermoplastic Housed Tap-Base Units**



Unit NO.	Dimensions ( mm / in. )										Max.Torque		Bearing No.	Housing No.	Weight (kg)
	d	a	e	b	h	w	k	B	n	Bolt D	Nm				
SS-UCTBPL204	3/4	20	72.8	50.8	34.5	33.3	66.0	M8	31.0	12.7	M8	18	SS-UC204	TBPL204	0.35
SS-UCTBPL205	13/16 ; 7/8 ; 15/16 ; 1	25	76.2	50.8	39.5	36.5	73.5	M10	34.1	14.3	M10	25	SS-UC205	TBPL205	0.40
SS-UCTBPL206	1-1/16 ; 1-1/8 ; 1-3/16 ; 1-1/4	30	101.0	76.2	42.5	42.9	84.0	M10	38.1	15.9	M10	30	SS-UC206	TBPL206	0.55
SS-UCTBPL207	1-1/4 ; 1-5/16 ; 1-3/8 ; 1-7/16	35	110.0	82.6	47.5	47.6	95.0	M10	42.9	17.5	M10	35	SS-UC207	TBPL207	0.80
SS-UCTBPL208	1-1/2 ; 1-9/16	40	120.0	88.9	48.0	49.2	100.5	M12	49.2	19.0	M12	45	SS-UC208	TBPL208	0.95
SS-UCTBPL209	1-5/8 ; 1-11/16 ; 1-3/4	45	124.0	95.3	50.0	54.0	108.5	M12	49.2	19.0	M12	50	SS-UC209	TBPL209	1.10
SS-UCTBPL210	1-13/16 ; 1-7/8 ; 1-15/16 ; 2	50	135.0	101.6	54.0	57.2	115.0	M16	51.6	19.0	M16	55	SS-UC210	TBPL210	1.25
SS-UCTBPL211	2 ; 2-1/16 ; 2-1/8 ; 2-3/16	55	140.0	104.0	66.0	63.5	125.0	M20	55.6	22.2	M20	60	SS-UC211	TBPL211	1.43
SS-UCTBPL212	2-1/4 ; 2-5/16 ; 2-3/8 ; 2-7/16	60	150.0	114.0	68.0	69.9	138.0	M20	65.1	25.4	M20	65	SS-UC212	TBPL212	1.58