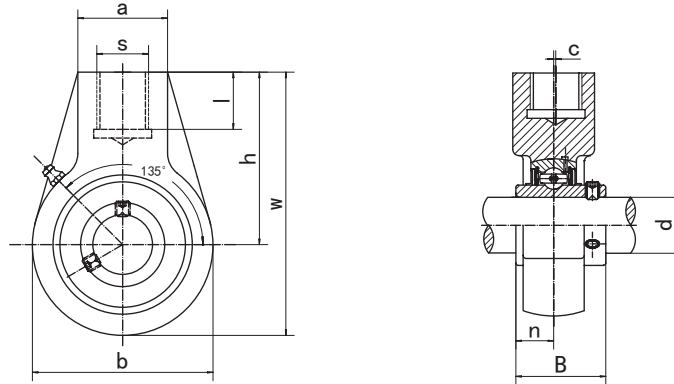


UCHA2 (Normal-duty)

Screw Conveyor Hanger Units



Unit NO.	Dimensions (mm / in.)										Bearing No.	Housing No.	Weight (kg)										
	d	h	w	b	c	a	s	l	B	n													
UCHA201 201-8	12 1/2	64	96	64	0	40	s	19.0	31.0	12.7	UC201	HA201	0.64										
201-8	UC201-8										0.63												
UCHA202 202-9	15 9/16										2-33/64		3-25/32	2-33/64	0	1-37/64	G-3/4	3/4	1.2205	0.500	UC202	HA202	0.63
202-10	202-9																				UC202-9		0.63
UCHA203 203-11	17 11/16	2-33/64	3-25/32	2-33/64	0	1-37/64	G-3/4	3/4	1.2205	0.500	UC203	HA203	0.62										
203-11	UC203-11										0.61												
UCHA204 204-12	20 3/4	2-33/64	3-25/32	2-33/64	0	1-37/64	G-3/4	3/4	1.3425	0.563	UC204	HA204	0.60										
204-12	UC204-12										0.60												
UCHA205 205-13	25 13/16	64	103	78	0	40	s	19.0	34.1	14.3	UC205	HA205	0.79										
205-13	UC205-13										0.83												
205-14	UC205-14										0.82												
205-15	UC205-15										0.80												
205-16	1	UC205-16	0.79																				
UCHA206 206-17	30 1-1/16	64	103	78	0	40	s	19.0	38.1	15.9	UC206	HA206	0.78										
206-17	UC206-17										0.79												
206-18	UC206-18										0.80												
206-19	UC206-19										0.78												
206-20	1-1/4	UC206-20	0.77																				
UCHA207 207-20	35 1-1/4	70	116	92	0	40	s	19.0	42.9	17.5	UC207	HA207	1.10										
207-20	UC207-20										1.16												
207-21	UC207-21										1.13												
207-22	UC207-22										1.10												
207-23	1-7/16	UC207-23	1.07																				
UCHA208 208-24	40 1-1/2	73	121	96	2.0	40	s	19.0	49.2	19.0	UC208	HA208	1.22										
208-24	UC208-24										1.26												
208-25	UC208-25										1.23												
UCHA209 209-26	45 1-5/8										82		136	108	5.0	48	s	21.0	49.2	19.0	UC209	HA209	1.71
209-26	UC209-26	1.81																					
209-27	UC209-27	1.77																					
209-28	UC209-28	1.73																					
UCHA210 210-29	50 1-13/16	83	142	118	5.0	48	s	21.0	51.6	19.0	UC210	HA210	2.04										
210-29	UC210-29										2.16												
210-30	UC210-30										2.11												
210-31	UC210-31										2.06												
210-32	2	UC210-32	2.02																				
UCHA211 211-32	55 2	87	150	126	7.0	60	s	25.0	55.6	22.2	UC211	HA211	2.45										
211-32	UC211-32										2.60												
211-33	UC211-33										2.54												
211-34	UC211-34										2.50												
211-35	2-3/16	UC211-35	2.43																				
UCHA212 212-36	60 2-1/4	102	173	142	9.0	60	s	28.0	65.1	25.4	UC212	HA212	3.56										
212-36	UC212-36										3.69												
212-37	UC212-37										3.61												
212-38	UC212-38										3.54												
212-39	2-7/16	UC212-39	3.47																				
UCHA213 213-40	65 2-1/2	117	200	166	9.5	70	s	32.0	65.1	25.4	UC213	HA213	5.44										
213-40	UC213-40										5.53												
213-41	UC213-41										5.44												
UCHA214 214-42	70 2-5/8										117		200	166	9.5	70	s	32.0	74.6	30.2	UC214	HA214	5.46
214-42	UC214-42	5.67																					
214-43	UC214-43	5.57																					
214-44	UC214-44	5.47																					
UCHA215 215-45	75 2-13/16	117	200	166	9.5	70	s	32.0	77.8	33.3	UC215	HA215	5.41										
215-45	UC215-45										5.41												
215-46	UC215-46										5.66												
215-47	UC215-47										5.55												
215-48	3	UC215-48	5.35																				