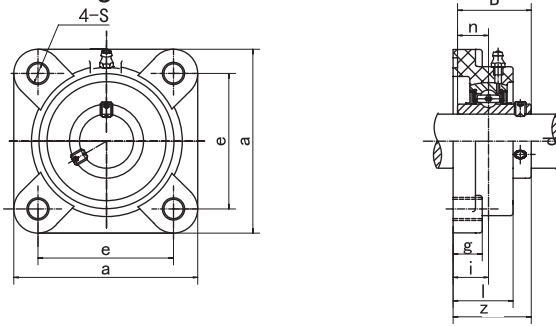


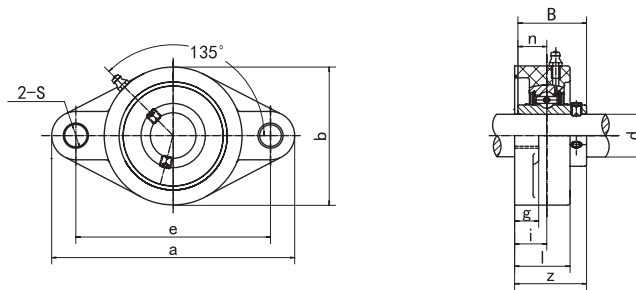
Ball Bearing Units

Thermoplastic Housed Square Flange Units



| Unit NO. | Dimensions (mm / in.) | | | | | | | | | | | Max.Torque | | Bearing No. | Housing No. | Weight (kg) |
|-------------|---------------------------------------|------------------|-----------------|---------------|-----------------|---------------|-----------------|----------------|---------------|---------------|-------------|------------|----------|-------------|-------------|-------------|
| | d | a | e | g | l | s | z | i | B | n | Bolt D | Nm | | | | |
| SS-UCFPL204 | 3/4 20 | 86.0 3-3/8 | 63.5 2-33/64 | 13.4 17/32 | 27.8 1-3/32 | 11.0 7/16 | 36.3 1-7/16 | 18.0 45/64 | 31.0 1.221 | 12.7 0.500 | M10 3/8 | 18 | SS-UC204 | FPL204 | 0.29 | |
| SS-UCFPL205 | 13/16 ; 7/8 ; 15/16 ; 1 25 | 95.0 3-3/4 | 70.0 2-3/4 | 14.3 9/16 | 28.0 1-3/32 | 11.0 7/16 | 36.7 1-7/16 | 17.0 43/64 | 34.1 1.343 | 14.3 0.563 | M10 3/8 | 25 | SS-UC205 | FPL205 | 0.36 | |
| SS-UCFPL206 | 1-1/16 ; 1-1/8 ; 1-3/16 ; 1-1/4 30 | 107.0 4-7/32 | 83.0 3-17/64 | 14.3 9/16 | 31.5 1-15/64 | 11.0 7/16 | 41.4 1-5/8 | 19.2 3/4 | 38.1 1.500 | 15.9 0.626 | M10 3/8 | 30 | SS-UC206 | FPL206 | 0.50 | |
| SS-UCFPL207 | 1-1/4 ; 1-5/16 ; 1-3/8 ; 1-7/16 35 | 118.0 4-21/32 | 92.0 3-5/8 | 15.5 39/64 | 34.8 1-3/8 | 13.0 33/64 | 46.9 1-27/32 | 21.5 27/32 | 42.9 1.689 | 17.5 0.689 | M12 7/16 | 35 | SS-UC207 | FPL207 | 0.74 | |
| SS-UCFPL208 | 1-1/2 ; 1-9/16 40 | 130.0 5-1/8 | 102.0 4-1/64 | 17.0 43/64 | 37.5 1-15/32 | 14.0 35/64 | 53.2 2-3/32 | 23.0 29/32 | 49.2 1.937 | 19.0 0.748 | M12 7/16 | 40 | SS-UC208 | FPL208 | 0.97 | |
| SS-UCFPL209 | 1-5/8 ; 1-11/16 ; 1-3/4 45 | 137.0 5-13/32 | 105.0 4-9/64 | 19.0 3/4 | 41.0 1-39/64 | 17.0 43/64 | 54.2 2-9/64 | 24.0 15/16 | 49.2 1.937 | 19.0 0.748 | M16 5/8 | 45 | SS-UC209 | FPL209 | 1.10 | |
| SS-UCFPL210 | 1-13/16 ; 1-7/8 ; 1-15/16 ; 2 50 | 143.0 5-5/8 | 111.0 4-3/8 | 21.0 53/64 | 43.0 1-11/16 | 17.0 43/64 | 57.6 2-17/64 | 25.0 63/64 | 51.6 2.032 | 19.0 0.748 | M16 5/8 | 50 | SS-UC210 | FPL210 | 1.25 | |
| SS-UCFPL211 | 2 ; 2-1/16 ; 2-1/8 ; 2-3/16 55 | 162.0 6-3/8 | 130.0 5-1/8 | 20.0 25/32 | 43.0 1-11/16 | 19.0 3/4 | 58.4 2-19/64 | 25.0 63/64 | 55.6 2.189 | 22.2 0.874 | M16 5/8 | 55 | SS-UC211 | FPL211 | 1.40 | |
| SS-UCFPL212 | 2-1/4 ; 2-5/16 ; 2-3/8 ; 2-7/16 60 | 175.0 6-57/64 | 143.0 5-5/8 | 20.0 25/32 | 48.0 1-57/64 | 19.0 3/4 | 68.7 2-45/64 | 29.0 1-9/64 | 65.1 2.563 | 25.4 1.000 | M16 5/8 | 60 | SS-UC212 | FPL212 | 1.60 | |

Thermoplastic Housed 2-Bolt Flange Units



| Unit NO. | Dimensions (mm / in.) | | | | | | | | | | | Max.Torque | | Bearing No. | Housing No. | Weight (kg) |
|--------------|---------------------------------------|------------------|------------------|------------------|---------------|-----------------|---------------|-----------------|----------------|---------------|---------------|-------------|----|-------------|-------------|-------------|
| | d | a | e | b | g | l | s | z | i | B | n | Bolt D | Nm | | | |
| SS-UCFLPL204 | 3/4 20 | 130.0 5-1/8 | 90.0 3-35/64 | 70.0 2-3/4 | 11.4 29/64 | 26.5 1-3/64 | 11.0 7/16 | 33.7 1-21/64 | 15.4 39/64 | 31.0 1.221 | 12.7 0.500 | M10 3/8 | 18 | SS-UC204 | FLPL204 | 0.24 |
| SS-UCFLPL205 | 13/16 ; 7/8 ; 15/16 ; 1 25 | 131.0 5-5/32 | 99.0 3-57/64 | 69.5 2-47/64 | 13.5 17/32 | 29.1 1-9/64 | 11.0 7/16 | 36.7 1-7/16 | 17.0 43/64 | 34.1 1.343 | 14.3 0.563 | M10 3/8 | 25 | SS-UC205 | FLPL205 | 0.30 |
| SS-UCFLPL206 | 1-1/16 ; 1-1/8 ; 1-3/16 ; 1-1/4 30 | 148.0 5-53/64 | 117.0 4-39/64 | 80.0 3-5/32 | 13.3 17/32 | 30.5 1-13/64 | 11.0 7/16 | 41.2 1-5/8 | 19.0 3/4 | 38.1 1.500 | 15.9 0.626 | M10 3/8 | 30 | SS-UC206 | FLPL206 | 0.45 |
| SS-UCFLPL207 | 1-1/4 ; 1-5/16 ; 1-3/8 ; 1-7/16 35 | 164.0 6-29/64 | 130.0 5-1/8 | 90.0 3-35/64 | 16.1 41/64 | 32.8 1-19/64 | 13.0 33/64 | 43.4 1-45/64 | 18.0 45/64 | 42.9 1.689 | 17.5 0.689 | M12 7/16 | 35 | SS-UC207 | FLPL207 | 0.66 |
| SS-UCFLPL208 | 1-1/2 ; 1-9/16 40 | 176.0 6-59/64 | 144.0 5-43/64 | 100.0 3-15/16 | 20.0 25/32 | 37.5 1-15/32 | 14.0 35/64 | 51.7 2-1/32 | 21.5 27/32 | 49.2 1.937 | 19.0 0.748 | M12 7/16 | 40 | SS-UC208 | FLPL208 | 0.87 |
| SS-UCFLPL209 | 1-5/8 ; 1-11/16 ; 1-3/4 45 | 188.5 7-27/64 | 148.5 5-27/32 | 108.0 4-15/64 | 21.0 53/64 | 41.0 1-39/64 | 17.0 43/64 | 54.2 2-9/64 | 24.0 15/16 | 49.2 1.937 | 19.0 0.748 | M16 5/8 | 45 | SS-UC209 | FLPL209 | 1.00 |
| SS-UCFLPL210 | 1-13/16 ; 1-7/8 ; 1-15/16 ; 2 50 | 197.0 7-3/4 | 157.0 6-3/16 | 115.0 4-17/32 | 21.0 53/64 | 43.0 1-11/16 | 17.0 43/64 | 57.6 2-17/64 | 25.0 63/64 | 51.6 2.032 | 19.0 0.748 | M16 5/8 | 50 | SS-UC210 | FLPL210 | 1.20 |
| SS-UCFLPL211 | 2 ; 2-1/16 ; 2-1/8 ; 2-3/16 55 | 224.0 8-13/16 | 184.0 7-1/4 | 130.0 5-1/8 | 18.0 45/64 | 43.0 1-11/16 | 19.0 3/4 | 58.4 2-19/64 | 25.0 63/64 | 55.6 2.189 | 22.2 0.874 | M16 5/8 | 55 | SS-UC211 | FLPL211 | 1.42 |
| SS-UCFLPL212 | 2-1/4 ; 2-5/16 ; 2-3/8 ; 2-7/16 60 | 250.0 9-27/32 | 202.0 7-61/64 | 140.0 5-33/64 | 18.0 15/64 | 48.0 1-57/64 | 23.0 29/32 | 68.7 2-45/64 | 29.0 1-9/64 | 65.1 2.563 | 25.4 1.000 | M16 3/4 | 60 | SS-UC212 | FLPL212 | 1.60 |