



**ELECTRIC VIBRATOR  
MVSI-S-BR**





Polished aluminium casing with stainless steel covers

Non porous hydrophobic surface finish

Suitable for environments with heavy cleaning schedules, such as food processing and pharmaceutical plants

Dimensional and performance characteristics identical to standard MVSI vibrators

Available in frame size 00 to 60 inclusive, 2, 4, 6 and 8 pole

Protection IP66, IK 08 shock-resistance level

Vacuum encapsulated winding up to frame size 35

Suitable for ambient temperature from -20°C to +40°C

Standard power supply 230/400V 3Ph 50Hz, other voltages available on request

ATEX rated zones 21 & 22 as standard

## **VIBRATECHNIQUES LTD**

**20 Cecil Pashley Way, Shoreham Airport, Shoreham by Sea, West Sussex, BN43 5FF**  
Tel: +44 (0)1273 430977 Fax: +44 (0)1273 430978 Email: [sales@vibtec.com](mailto:sales@vibtec.com) Web: [www.vibtec.com](http://www.vibtec.com)

**PERFORMANCE**

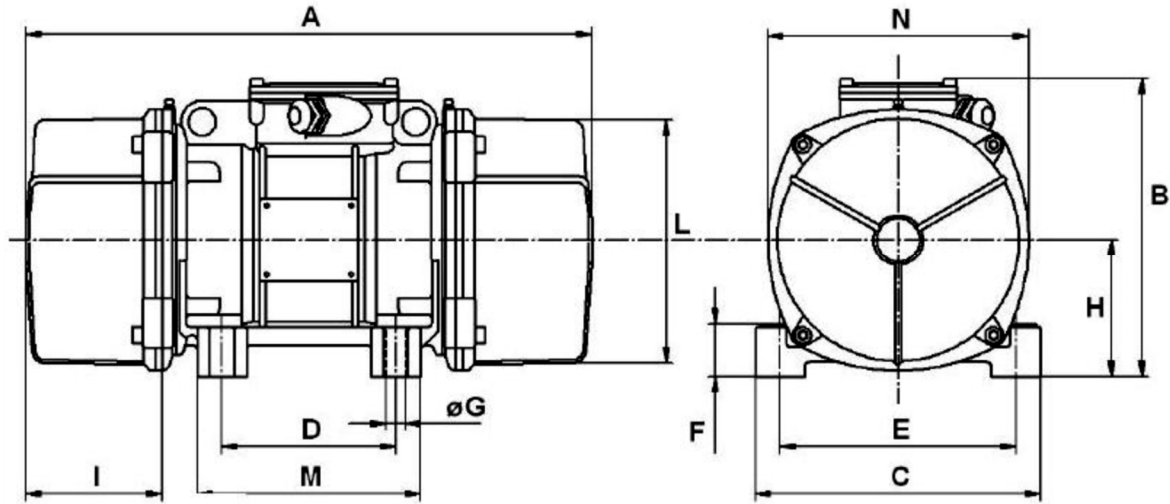


MODEL	Frame Size	Mechanical Specification								Electrical Specification					
		Static Moment		Centrifugal Force				Weight		Max Input Power		Max Current		Ia/In	
		kgmm		kg	kN	kgs		Watts	Amps	50 Hz	60Hz				
		50 Hz	60Hz	50 Hz	60Hz	50 Hz	60Hz	50 Hz	60Hz	50 Hz	60Hz	50 Hz	60Hz	50 Hz	60Hz
<b>MVSI 3-S-BR</b>		<b>400v 3Ph 50Hz /460v 3Ph 60Hz 2 Poles 3000/3600 RPM</b>													
MVSI 3/100-S02-S-BR	00	12.0	12.0	121	174	1.19	1.71	5.60	5.60	180	180	0.35	0.30	2.68	3.00
MVSI 3/200-S02-S-BR	01	21.0	15.0	211	218	2.07	2.14	6.40	6.20	180	180	0.35	0.30	2.68	3.00
MVSI 3/300-S02-S-BR	10	30.1	20.4	304	297	2.98	2.91	9.70	9.20	260	270	0.60	0.50	3.47	4.20
MVSI 3/500-S02-S-BR	20	49.9	32.4	503	471	4.93	4.62	14.8	13.8	450	500	0.80	0.75	4.21	4.80
MVSI 3/700-S02-S-BR	20	72.8	-	734	-	7.19	-	15.1	-	450	-	0.80	-	4.21	-
MVSI 3/800-S02-S-BR	30	78.0	52.0	785	754	7.70	7.40	21.0	20.0	650	685	1.10	1.00	3.83	6.00
MVSI 3/1100-S02-S-BR	35	110	73.0	1105	1061	10.8	10.4	23.0	22.0	1000	1200	1.75	1.75	3.63	4.00
MVSI 3/1300-S08-S-BR	AF33	128	91.6	1290	1327	12.7	13.0	27.0	25.7	1300	1350	2.10	1.90	3.96	4.98
MVSI 3/1500-S08-S-BR	AF33	146	110	1470	1595	14.4	15.6	25.3	24.0	1300	1350	2.10	1.90	3.96	4.98
MVSI 3/1600-S02-S-BR	50	153	102	1545	1483	15.2	14.5	33.0	31.5	1400	1450	2.30	2.00	4.95	6.12
MVSI 3/1800-S02-S-BR	50	179	128	1802	1853	17.7	18.2	34.0	32.5	2000	2000	3.30	2.90	4.33	5.50
<b>MVSI 15-S-BR</b>		<b>400v 3Ph 50Hz /460v 3Ph 60Hz 4 Poles 1500/1800 RPM</b>													
MVSI 15/35-S02-S-BR	00	12.0	12.0	30.2	43.5	0.30	0.30	5.60	5.60	85	95	0.21	0.20	1.78	1.95
MVSI 15/80-S02-S-BR	01	31.0	21.0	77.9	76.1	0.76	0.75	6.70	6.40	85	95	0.21	0.20	1.78	1.95
MVSI 15/100-S02-S-BR	01	38.9	31.0	97.9	112	0.96	1.10	7.10	6.70	85	95	0.21	0.20	1.78	1.95
MVSI 15/200-S02-S-BR	10	84.2	58.8	213	214	2.09	2.10	12.5	11.7	170	170	0.41	0.40	2.34	2.75
MVSI 15/400-S02-S-BR	20	163	113	412	411	4.04	4.03	19.0	18.2	300	350	0.60	0.60	3.33	3.50
MVSI 15/550-S02-S-BR	20	219	163	552	592	5.42	5.81	20.4	19.0	300	350	0.60	0.60	3.33	3.50
MVSI 15/700-S02-S-BR	30	286	209	720	760	7.06	7.46	27.5	26.2	525	665	0.92	0.98	3.48	3.43
MVSI 15/900-S02-S-BR	30	357	286	900	1037	8.83	10.2	30.0	27.5	525	665	0.92	0.98	3.48	3.43
MVSI 15/1100-S02-S-BR	35	415	271	1045	982	10.3	9.63	35.0	30.5	550	680	0.95	0.95	4.45	4.89
MVSI 15/1410-S02-S-BR	40	561	400	1413	1449	13.9	14.2	44.0	41.0	900	1050	1.45	1.50	4.10	4.20
MVSI 15/1710-S02-S-BR	50	715	485	1798	1757	17.6	17.2	51.0	48.5	1100	1200	2.00	1.90	4.29	4.89
MVSI 15/2000-S02-S-BR	50	817	561	2054	2033	20.1	19.9	55.5	51.5	1350	1450	2.50	2.30	4.30	4.90
MVSI 15/2410-S08-S-BR	60	962	674	2420	2444	23.7	24.0	71.0	66.0	1600	1700	3.20	3.00	6.09	7.23
MVSI 15/3000-S08-S-BR	60	1235	858	3106	3108	30.5	30.5	80.0	73.5	1900	2000	3.80	3.50	6.15	7.50

Ia/In Ratio between start up current and maximum current

\* Working Moment=2 x Static Moment

**DIMENSIONS**



MODEL	Fig	A	B	C	D	E	F	G		H	I	L	M	N	Cable Entry thread
								Dia	No						
<b>MVSI 3-S-BR</b>	<b>400v 3Ph 50Hz /460v 3Ph 60Hz 2 Poles 3000/3600 RPM</b>														
MVSI 3/100-S02-S-BR	A	211	153	125	62-74	106	24	9	4	61	46	103	100	117	M20 X 1.5
MVSI 3/200-S02-S-BR	A	235	153	125	62-74	106	24	9	4	61	58	103	100	117	M20 X 1.5
MVSI 3/300-S02-S-BR	A	255	179	152	90	125	28	13	4	73	54	127	128	141	M20 X 1.5
MVSI 3/500-S02-S-BR	A	288	203	167	105	140	30	13	4	82.5	65	145	140	160	M25 x 1.5
MVSI 3/700-S02-S-BR	A	288	203	167	105	140	30	13	4	82.5	65	145	140	160	M25 x 1.5
MVSI 3/800-S02-S-BR	A	308	216	205	120	170	45	17	4	93.5	63	170	160	182	M25 x 1.5
MVSI 3/1100-S02-S-BR	A	435	225	205	120	170	54	17	4	104.5	117.5	187	162	203	M25 x 1.5
MVSI 3/1300-S08-S-BR	A	375	216.5	215	100	180	47	17	4	93.5	106	170	145	182	M25 x 1.5
MVSI 3/1500-S08-S-BR	A	375	216.5	215	100	180	47	17	4	93.5	106	170	145	182	M25 x 1.5
MVSI 3/1600-S02-S-BR	A	430	246	230	140	190	54	17	4	116	99	207	190	225	M25 x 1.5
MVSI 3/1800-S02-S-BR	A	430	246	230	140	190	54	17	4	116	99	207	190	225	M25 x 1.5
<b>MVSI 15-S-BR</b>	<b>400v 3Ph 50Hz /460v 3Ph 60Hz 4 Poles 1500/1800 RPM</b>														
MVSI 15/35-S02-S-BR	A	211	153	125	62-74	106	24	9	4	61	46	103	100	117	M20 X 1.5
MVSI 15/80-S02-S-BR	A	235	153	125	62-74	106	24	9	4	61	58	103	100	117	M20 X 1.5
MVSI 15/100-S02-S-BR	A	249	153	125	62-74	106	24	9	4	61	65	103	100	117	M20 X 1.5
MVSI 15/200-S02-S-BR	A	301	179	152	90	125	28	13	4	73	77	127	128	141	M20 X 1.5
MVSI 15/400-S02-S-BR	A	344	203	167	105	140	30	13	4	82.5	93	145	140	160	M25 x 1.5
MVSI 15/550-S02-S-BR	A	386	203	167	105	140	30	13	4	82.5	114	145	140	160	M25 x 1.5
MVSI 15/700-S02-S-BR	A	394	216	205	120	170	45	17	4	93.5	106	170	160	182	M25 x 1.5
MVSI 15/900-S02-S-BR	A	394	216	205	120	170	45	17	4	93.5	106	170	160	182	M25 x 1.5
MVSI 15/1100-S02-S-BR	A	435	225	205	120	170	54	17	4	104.5	117.5	187	162	203	M25 x 1.5
MVSI 15/1410-S02-S-BR	A	448	246	230	140	190	54	17	4	116	108	207	190	225	M25 x 1.5
MVSI 15/1710-S02-S-BR	A	500	246	230	140	190	54	17	4	116	134	207	190	225	M25 x 1.5
MVSI 15/2000-S02-S-BR	A	574	246	230	140	190	54	17	4	116	171	207	180	225	M25 x 1.5
MVSI 15/2410-S08-S-BR	A	537	272	275	155	225	70	22	4	130	137	238	210	253	M25 x 1.5
MVSI 15/3000-S08-S-BR	A	617	272	275	155	225	70	22	4	130	177	238	210	253	M25 x 1.5

Ia/In Ratio between start up current and maximum current

\* Working Moment=2 x Static Moment

**PERFORMANCE**

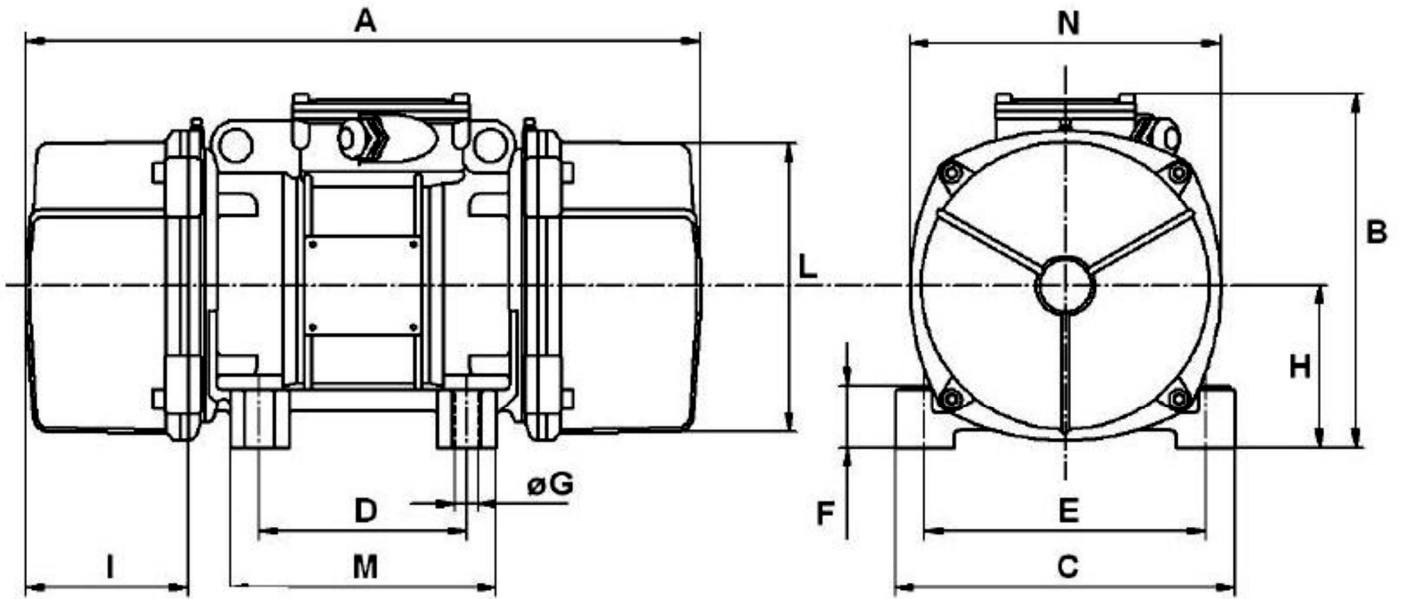


MODEL	Frame Size	Mechanical Specification								Electrical Specification					
		Static Moment		Centrifugal Force				Weight		Max Input Power		Max Current		Ia/In	
		kgmm		kg		kN		Kgs		Watts		Amps			
50 Hz	60Hz	50 Hz	60Hz	50 Hz	60Hz	50 Hz	60Hz	50 Hz	60Hz	50 Hz	60Hz	50 Hz	60Hz		
<b>MVSI 10-S-BR</b>	<b>400v 3Ph 50Hz /460v 3Ph 60Hz 6 Poles 1000/1200 RPM</b>														
MVSI 10/40-S02-S-BR	10	30.1	30.1	35.0	49.0	0.331	0.476	9.70	9.70	120	135	0.30	0.30	1.90	2.07
MVSI 10/100-S02-S-BR	10	84.2	84.2	94.3	136	0.925	1.33	12.5	12.5	120	135	0.30	0.30	1.90	2.07
MVSI 10/200-S02-S-BR	20	163	163	183	264	1.80	2.59	19.0	19.0	185	205	0.50	0.50	2.72	3.10
MVSI 10/310-S02-S-BR	30	286	209	321	338	3.15	3.32	27.5	26.2	350	380	0.72	0.68	2.63	2.79
MVSI 10/550-S02-S-BR	35	457	457	512	737	5.02	7.23	36.5	36.5	350	380	0.75	0.68	2.53	3.68
MVSI 10/650-S02-S-BR	35	580	457	650	737	6.37	7.23	41.0	35.5	350	380	0.75	0.68	2.53	3.68
MVSI 10/810-S08-S-BR	40	723	561	809	905	7.94	8.88	48.0	44.0	680	760	1.40	1.35	2.79	3.33
MVSI 10/1110-S08-S-BR	50	1012	715	1132	1151	11.1	11.3	58.0	51.0	750	750	1.65	1.50	3.33	4.13
MVSI 10/1400-S08-S-BR	50	1274	921	1424	1483	14.0	14.5	66.0	59.5	950	1000	1.80	1.70	3.05	3.65
MVSI 10/1610-S08-S-BR	60	1464	962	1638	1549	16.1	15.2	83.0	71.0	1100	1300	2.20	2.20	4.21	4.05
MVSI 10/2100-S08-S-BR	60	1927	1318	2154	2102	21.1	20.6	93.0	82.0	1500	1770	3.00	2.75	3.42	4.00
<b>MVSI 075-S-BR</b>	<b>400v 3Ph 50Hz /460v 3Ph 60Hz 8 Poles 750/900 RPM</b>														
MVSI 075/150-S02-S-BR	20	163	163	104	149	1.02	1.46	19.0	19.0	230	250	0.85	0.76	2.13	2.11
MVSI 075/250-S02-S-BR	30	286	286	181	260	1.76	2.55	27.5	27.5	350	380	1.10	1.05	2.03	2.29
MVSI 075/400-S02-S-BR	35	457	457	288	415	2.83	4.07	36.5	36.5	375	410	0.81	0.80	2.22	2.38
MVSI 075/530-S02-S-BR	35	580	580	365	528	3.60	5.20	41.0	41.0	375	410	0.81	0.80	2.22	2.38
MVSI 075/660-S08-S-BR	40	723	723	456	656	4.47	6.44	48.0	48.0	400	450	1.20	1.20	2.38	2.58
MVSI 075/910-S08-S-BR	50	1012	1012	637	917	6.25	9.00	58.0	58.0	400	500	1.40	1.30	2.38	2.85
MVSI 075/1310-S08-S-BR	60	1464	1464	922	1327	9.04	13.0	83.0	83.0	950	1100	2.20	2.20	2.63	3.41
MVSI 075/1750-S08-S-BR	60	1927	1927	1214	1747	11.9	17.1	93.0	93.0	1100	1300	2.60	2.60	2.78	3.04

Ia/In Ratio between start up current and maximum current

\* Working Moment=2 x Static Moment

**DIMENSIONS**



MODEL	Frame Size	Fig.	A	B	C	D	E	F	G		H	I	L	M	N	Cable Entry thread
									Dia	No						
<b>MVSI 10-S-BR</b>	<b>400v 3Ph 50Hz /460v 3Ph 60Hz 6 Poles 1000/1200 RPM</b>															
MVSI 10/40-S02-S-BR	10	A	255	179	152	90	125	28	13	4	73	54	127	128	141	M20 x 1.5
MVSI 10/100-S02-S-BR	10	A	301	179	152	90	125	28	13	4	73	77	127	128	141	M20 x 1.5
MVSI 10/200-S02-S-BR	20	A	344	203	167	105	140	30	13	4	82.5	93	145	140	160	M25 x 1.5
MVSI 10/310-S02-S-BR	30	A	394	216	205	120	170	45	17	4	93.5	106	170	160	182	M25 x 1.5
MVSI 10/550-S02-S-BR	35	A	435	225	205	120	170	54	17	4	104.5	117.5	187	162	203	M25 x 1.5
MVSI 10/650-S02-S-BR	35	A	480	225	205	120	170	54	17	4	104.5	140	187	162	203	M25 x 1.5
MVSI 10/810-S08-S-BR	40	A	500	246	230	140	190	54	17	4	116	134	207	190	225	M25 x 1.5
MVSI 10/1110-S08-S-BR	50	A	574	246	230	140	190	54	17	4	116	171	207	190	225	M25 x 1.5
MVSI 10/1400-S08-S-BR	50	A	574	246	230	140	190	54	17	4	116	171	207	190	225	M25 x 1.5
MVSI 10/1610-S08-S-BR	60	A	617	272	275	155	225	70	22	4	130	177	238	210	253	M25 x 1.5
MVSI 10/2100-S08-S-BR	60	A	663	272	275	155	225	70	22	4	130	200	238	210	253	M25 x 1.5
<b>MVSI 075-S-BR</b>	<b>400v 3Ph 50Hz /460v 3Ph 60Hz 8 Poles 750/900 RPM</b>															
MVSI 075/150-S02-S-BR	20	A	344	203	167	105	140	30	13	4	82.5	93	145	140	160	M25 x 1.5
MVSI 075/250-S02-S-BR	30	A	394	216	205	120	170	45	17	4	93.5	106	170	160	182	M25 x 1.5
MVSI 075/400-S02-S-BR	35	A	435	225	205	120	170	54	17	4	104.5	117.5	187	162	203	M25 x 1.5
MVSI 075/530-S02-S-BR	35	A	480	225	205	120	170	54	17	4	104.5	140	187	162	203	M25 x 1.5
MVSI 075/660-S08-S-BR	40	A	500	246	230	140	190	54	17	4	116	134	207	190	225	M25 x 1.5
MVSI 075/910-S08-S-BR	50	A	574	246	230	140	190	54	17	4	116	171	207	190	225	M25 x 1.5
MVSI 075/1310-S08-S-BR	60	A	617	272	275	155	225	70	22	4	130	177	238	210	253	M25 x 1.5
MVSI 075/1750-S08-S-BR	60	A	663	272	275	155	225	70	22	4	130	200	238	210	253	M25 x 1.5

Ia/In Ratio between start up current and maximum current

\* Working Moment=2 x Static Moment



### MVSI

The most extensive range of industrial electric vibrators on the market. Approved for potentially explosive dust atmospheres (ATEX, IECEx, GOST). Range from 0 to 67200 lbs.



### MVSI-TS

MVSI industrial electric vibrators with split covers.



### MVSI-ACC

MVSI industrial electric vibrators for axial coupling.



### MVSI-E

"Ex e" increased safety electric vibrators for potentially explosive atmosphere (ATEX, IECEx, GOST). Range up to 24550 lbs.



### MVLS

Low Speed electric industrial vibrators. Range up to 18000 lbs centrifugal force. RPM from 1200 to 500.



### CDX

"Ex d" explosion-proof industrial electric vibrators for operation in potentially explosive atmospheres (UL, CSA, ATEX, IECEx, GOST). Range up to 49250 lbs.



### MVTX

"Ex d" explosion-proof screen vibrators for operation in potentially explosive atmospheres. Bear UL, cUL, ATEX and IECEx marking. Range up to 17450 lbs.



### MVCC

Direct current vibrators (12 or 24 V) designed for continuous duty on mobile machines. Range from 0 to 3350 lbs.



### MVSS

Electric industrial vibrators in stainless steel AISI 316L for the chemical, petroleum chemistry, food, pharmaceutical processing sectors. Range from 0 to 9520 lbs.



### MICRO

Electric vibrators designed for continuous service in processes where a lower centrifugal force is required. Range from 0 to 143 lbs.



### M3

Electric industrial vibrators with multi-holes mounting feet and minimum dimensions. Range up to 684 lbs.



### ITV-VR

Variable high frequency electric vibrators with fixed or cradle connection for industrial building sector. Range from 0 to 19800 lbs.



### ITVAF

High frequency electric vibrators with fixed or cradle connection for industrial building sector. Range from 0 to 19800 lbs.



### VU

Unidirectional linear motion exciters designed for medium and large size vibrating machines. Range up to 6400 in-lbs (102000 lbs).



### MTF

Vertical electric vibrators with side flange. Range from 0 to 5750 lbs.



### MTF-E

"Ex e" increased safety vertical electric vibrators with side flange for potentially explosive atmosphere (ATEX, IECEx, GOST).



### VB

Vertical electric vibrators with double tapered flange. Range from 0 to 11000 lbs.



### VB-E

Vertical electric vibrators with side flange. Range from 0 to 5750 lbs.



### MVB

Vertical electric vibrators with side flange and shaft projecting on both sides. Range from 0 to 15400 lbs.



### MVB-FLC

Vertical electric vibrators with central flange and shaft projecting on both sides. Range from 0 to 15400 lbs.



### MVB-E

"Ex e" increased safety vertical electric vibrators with side flange and shaft projecting on both sides, for potentially explosive atmosphere (ATEX, IECEx, GOST).



### MVB-E-FLC

"Ex e" increased safety vertical electric vibrators with central flange and shaft projecting on both sides, for potentially explosive atmosphere (ATEX, IECEx, GOST).