

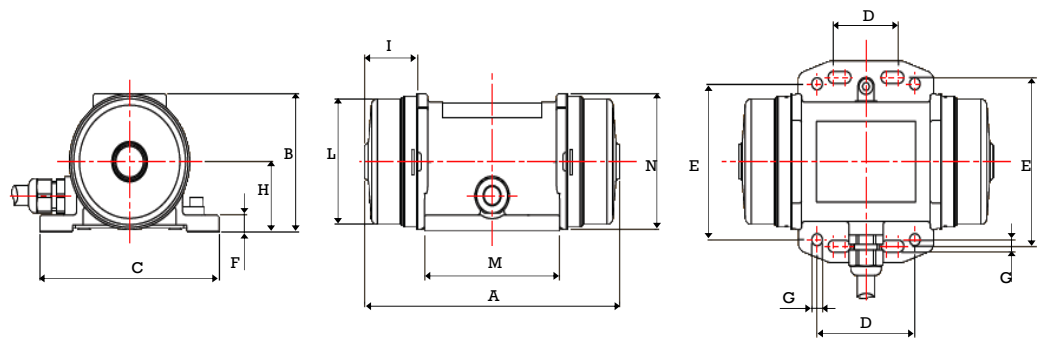


- Rotary Vibrator
- Protection IP65
- Insulation Class F (155°C)
- Ambient temperature -20°C to +40°C
- ATEX rated as standard for zone 22

**PERFORMANCE**

MODEL	Mechanical Specification								Electrical Specification			
	Static Moment		Centrifugal Force				Weight		Max Input Power		Max Current	
	Kgmm		kg		kN		kg		Watts		Amps	
	50 Hz	60Hz	50 Hz	60Hz	50 Hz	60Hz	50 Hz	60Hz	50 Hz	60Hz	50 Hz	60Hz
<b>110/115Volt 1 Phase 50/60 Hertz 2 Poles 3000/3600 RPM</b>												
M3/4	0.4	0.4	5.0	6.9	39.0	59.0	0.92	0.92	24	24	0.30	0.30
M3/20	2.0	2.0	20.0	29.0	196.0	284.0	1.97	1.97	35	35	0.42	0.42
M3/45	4.5	4.5	45.0	65.0	441.0	638.0	2.20	2.20	45	45	0.46	0.46
<b>220/240Volt 1 Phase 50/60 Hertz 2 Poles 3000/3600 RPM</b>												
M3/4	0.4	0.4	5.0	6.9	39.0	59.0	0.92	0.92	24	24	0.13	0.13
M3/20	2.0	2.0	20.0	29.0	196.0	284.0	1.97	1.97	35	35	0.17	0.17
M3/45	4.5	4.5	45.0	65.0	441.0	638.0	2.20	2.20	45	45	0.20	0.20
<b>380/480Volt 3 Phase 50/60 Hertz 2 Poles 3000/3600 RPM</b>												
M3/20	2.0	2.0	20	29	196	284	1.97	1.97	35	35	0.15	0.15
M3/45	4.5	4.5	45	65	441	638	2.20	2.20	45	45	0.16	0.16

**DIMENSIONS**



MODEL	A	B	C	D	D1	E	E1	F	G	ØG1	No. Holes	H	I	L	M	N	Gland
M3/4	113	66.5	90	25-40	-	75	-	9	5.5	-	4	34	25	60	59	65	M12x1.5
M3/20	157	75	110	25-40	60	92	85	9	6.5	6.5	8	38	33	69	83	74	M16x1.5
M3/45	172	75	110	25-40	60	92	85	9	6.5	6.5	8	38	40.5	69	83	74	M16x1.5

**VIBRATECHNIQUES LTD**

20 Cecil Pashley Way, Shoreham Airport, Shoreham by Sea, West Sussex, BN43 5FF  
Tel: +44 (0)1273 430977 Fax: +44 (0)1273 430978 Email: sales@vibtec.com Web: www.vibtec.com



### MVSI

The most extensive range of industrial electric vibrators on the market. Approved for potentially explosive dust atmospheres (ATEX, IECEx, GOST). Range from 0 to 67200 lbs.



### MVSI-TS

MVSI industrial electric vibrators with split covers.



### MVSI-ACC

MVSI industrial electric vibrators for axial coupling.



### MVSI-E

"Ex e" increased safety electric vibrators for potentially explosive atmosphere (ATEX, IECEx, GOST). Range up to 24550 lbs.



### MVLS

Low Speed electric industrial vibrators. Range up to 18000 lbs centrifugal force. RPM from 1200 to 500.



### CDX

"Ex d" explosion-proof industrial electric vibrators for operation in potentially explosive atmospheres (UL, CSA, ATEX, IECEx, GOST). Range up to 49250 lbs.



### MVTX

"Ex d" explosion-proof screen vibrators for operation in potentially explosive atmospheres. Bear UL, cUL, ATEX and IECEx marking. Range up to 17450 lbs.



### MVCC

Direct current vibrators (12 or 24 V) designed for continuous duty on mobile machines. Range from 0 to 3350 lbs.



### MVSS

Electric industrial vibrators in stainless steel AISI 316L for the chemical, petroleum chemistry, food, pharmaceutical processing sectors. Range from 0 to 9520 lbs.



### MICRO

Electric vibrators designed for continuous service in processes where a lower centrifugal force is required. Range from 0 to 143 lbs.



### M3

Electric industrial vibrators with multi-holes mounting feet and minimum dimensions. Range up to 684 lbs.



### ITV-VR

Variable high frequency electric vibrators with fixed or cradle connection for industrial building sector. Range from 0 to 19800 lbs.



### ITVAF

High frequency electric vibrators with fixed or cradle connection for industrial building sector. Range from 0 to 19800 lbs.



### VU

Unidirectional linear motion exciters designed for medium and large size vibrating machines. Range up to 6400 in-lbs (102000 lbs).



### MTF

Vertical electric vibrators with side flange. Range from 0 to 5750 lbs.



### MTF-E

"Ex e" increased safety vertical electric vibrators with side flange for potentially explosive atmosphere (ATEX, IECEx, GOST).



### VB

Vertical electric vibrators with double tapered flange. Range from 0 to 11000 lbs.



### VB-E

Vertical electric vibrators with side flange. Range from 0 to 5750 lbs.



### MVB

Vertical electric vibrators with side flange and shaft projecting on both sides. Range from 0 to 15400 lbs.



### MVB-FLC

Vertical electric vibrators with central flange and shaft projecting on both sides. Range from 0 to 15400 lbs.



### MVB-E

"Ex e" increased safety vertical electric vibrators with side flange and shaft projecting on both sides, for potentially explosive atmosphere (ATEX, IECEx, GOST).



### MVB-E-FLC

"Ex e" increased safety vertical electric vibrators with central flange and shaft projecting on both sides, for potentially explosive atmosphere (ATEX, IECEx, GOST).