



COLLARS and WASHERS

HEAVY TURNED WASHERS	page 4
TURNED TAPER WASHERS	5
TURNED WASHERS FOR SWIVEL HEADS	5
COLLARS IN COMPLIANCE WITH DIN 705	6
CLAMPING COLLARS FORM C-AB	7
CLAMPING COLLARS WITH OPEN RING	8



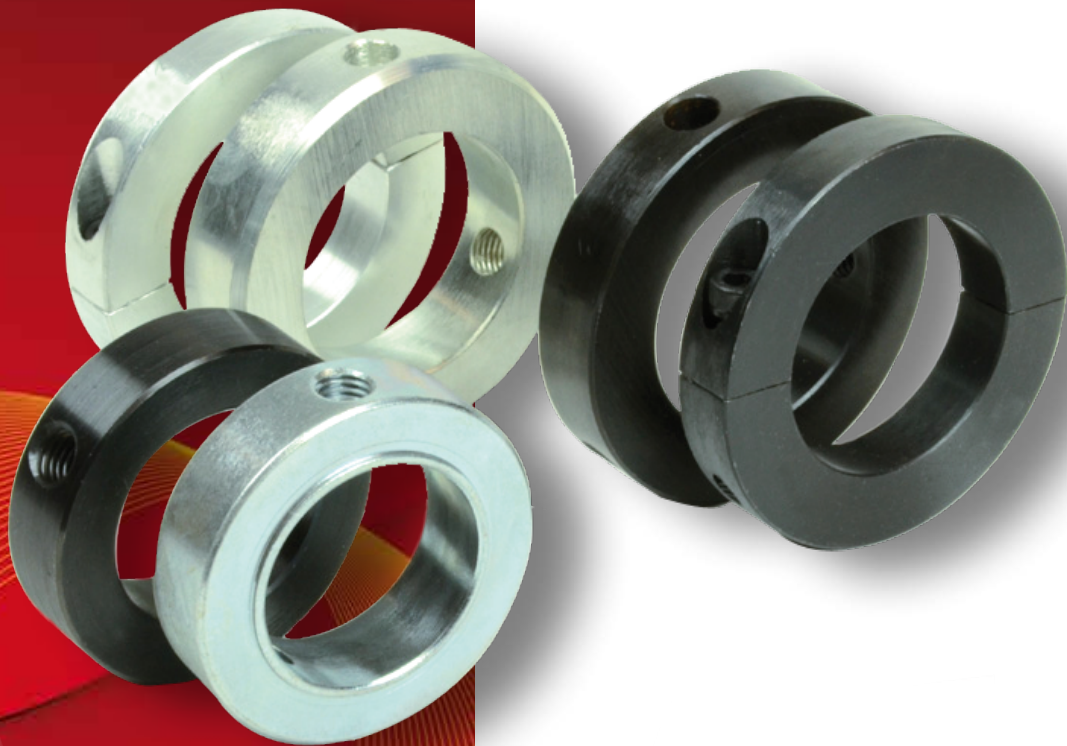
CLAMPING COLLARS

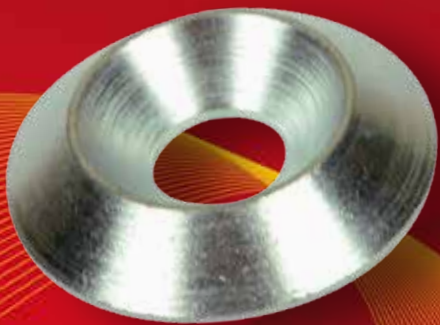
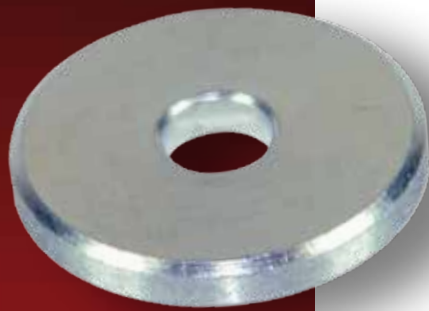
CLAMPING COLLARS

PHOSPHATED

GALVANISED

INOX



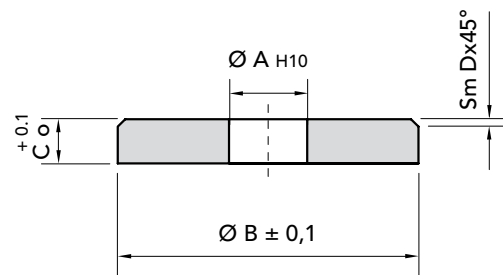


TURNED WASHERS
PHOSPHATED
GALVANISED



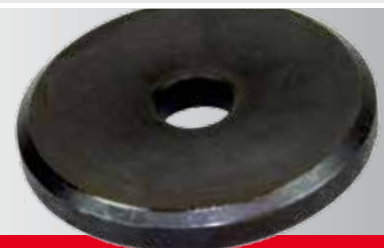
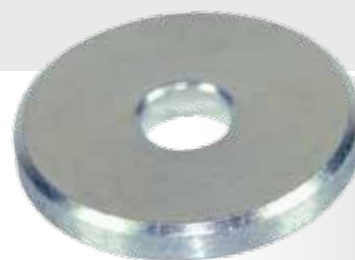
C-RGS

Packages containing
50 pieces



TYPE	PHOSPHATED	GALVANISED	Ø A	Ø B	C	D	WEIGHT FOR PACKAGE
	PART NUMBER	PART NUMBER					kg
C-RGS 3-10	26100310	26200310	3,2	10	2	0,5	0,10
C-RGS 4-10	26100410	26200310	4,2	10	2	0,5	0,10
C-RGS 4-15	26100415	26200415	4,2	15	3	0,5	0,15
C-RGS 5-15	26100515	26200515	5,2	15	3	0,5	0,15
C-RGS 5-20	26100520	26200520	5,2	20	3	0,5	0,45
C-RGS 5-25	26100525	26200525	5,2	25	4	1	0,70
C-RGS 5-30	26100530	26200530	5,2	30	4	1	1,35
C-RGS 6-15	26100615	26200615	6,2	15	3	0,5	0,12
C-RGS 6-20	26100620	26200620	6,2	20	3	0,5	0,40
C-RGS 6-25	26100625	26200625	6,2	25	4	1	0,80
C-RGS 6-30	26100630	26200630	6,2	30	4	1	1,05
C-RGS 6-35	26100635	26200635	6,2	35	5	1	1,85
C-RGS 6-40	26100640	26200640	6,5	40	5	1	2,35
C-RGS 8-20	26100820	26200820	8,5	20	4	0,5	0,35
C-RGS 8-25	26100825	26200825	8,5	25	4	1	0,70
C-RGS 8-30	26100830	26200830	8,5	30	4	1	1,00
C-RGS 8-35	26100835	26200835	8,5	35	5	1	1,80
C-RGS 8-40	26100840	26200840	8,5	40	5	1	2,30
C-RGS 8-45	26100845	26200845	8,5	45	5	2	2,90
C-RGS 8-50	26100850	26200850	8,5	50	6	2	4,15
C-RGS 10-25	26101025	26201025	10,5	25	4	1	2,00
C-RGS 10-35	26101035	26201035	10,5	35	5	1	1,60
C-RGS 10-40	26101040	26201040	10,5	40	5	1	2,25
C-RGS 10-45	26101045	26201045	10,5	45	5	2	2,65
C-RGS 10-50	26101050	26201050	10,5	50	6	2	4,10
C-RGS 12-50	26101250	26201250	12,5	50	6	2	4,60

MATERIAL **C 45 UNI 7845**
PHOSPHATED
GALVANISED



CAD drawings available on our site
www.chiaravalli.com

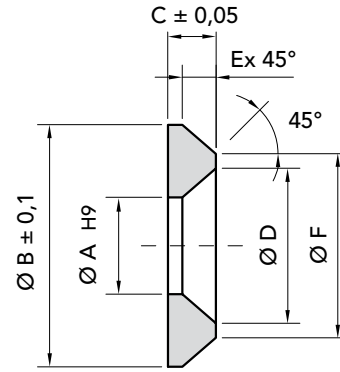
Quantity, availability and prices
on B2B Chiaravalli



TURNED TAPER WASHERS

C-RC

Packages containing 30 pieces



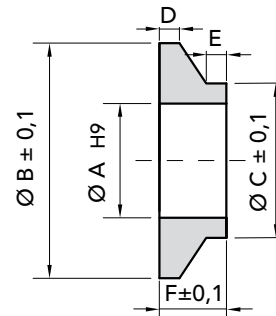
TYPE	PHOSPHATED P. NUMBER	GALVANISED P. NUMBER							WEIGHT FOR PACKAGE kg
			Ø A	Ø B	C	Ø D	E	Ø F	
C-RC 4	26300004	26400004	4,1	13	3	8	2,1x45°	8,8	0,12
C-RC 5	26300005	26400005	5,2	16	3,5	10	2,6x45°	10,8	0,15
C-RC 6	26300006	26400006	6,5	18	3,5	12	2,1x45°	13,8	0,24
C-RC 8	26300008	26400008	8,5	25	5	16,5	3,5x45°	18	0,36
C-RC 10	26300010	26400010	10,5	33	7	20,5	6x45°	21	0,75
C-RC 12	26300012	26400012	12,5	40	8	24,5	7x45°	26	1,50



TURNED WASHERS FOR SWIVEL HEADS

C-RS

Packages containing 30 pieces



TYPE	PHOSPHATED P. NUMBER	GALVANISED P. NUMBER							WEIGHT FOR PACKAGE kg
			Ø A	Ø B	C	Ø D	E	Ø F	
C-RS 6	26500006	26600006	6,5	15	9	1,5	1	4	0,15
C-RS 8	26500008	26600008	8,5	22	12	1,5	2	6,5	0,27
C-RS 10	26500010	26600010	10,5	22	14	1,5	3	6,5	0,40



MATERIAL C 45 UNI 7845
PHOSPHATED
GALVANISED

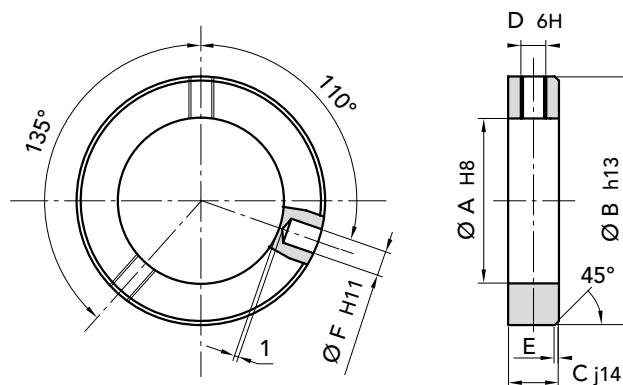
CAD drawings available on our site
www.chiaravalli.com

Quantity, availability and prices
on B2B Chiaravalli

**C-ABU**

Packages containing
100 pieces C-ABU 6÷20

Packages containing
50 pieces C-ABU 25÷70



TYPE	PHOSPHATED	GALVANISED	INOX	WEIGHT FOR						
	P. NUMBER	P. NUMBER	P. NUMBER	Ø A	Ø B	C	Ø D	E	Ø F	PACKAGE
C-ABU 6	27100006	27200006	27700006	6	12	8	M4	0,8	1,5	0,40
C-ABU 8	27100008	27200008	27700008	8	16	8	M4	0,8	2	0,80
C-ABU 10	27100010	27200010	27700010	10	20	10	M5	1	3	1,50
C-ABU 12	27100012	27200012	27700012	12	22	12	M6	1,2	4	2,00
C-ABU 14	27100014	27200014		14	25	12	M6	1,2	4	2,70
C-ABU 15	27100015	27200015	27700015	15	25	12	M6	1,2	4	2,50
C-ABU 16	27100016	27200016	27700016	16	28	12	M6	1,2	4	3,50
C-ABU 17	27100017	27200017	27700017	17	28	12	M6	1,2	4	3,00
C-ABU 18	27100018	27200018		18	32	14	M6	1,4	5	5,40
C-ABU 20	27100020	27200020	27700020	20	32	14	M6	1,4	5	4,80
C-ABU 25	27100025	27200025	27700025	25	40	16	M8	1,6	6	4,25
C-ABU 30	27100030	27200030	27700030	30	45	16	M8	1,6	6	5,00
C-ABU 35	27100035	27200035	27700035	35	56	16	M8	1,6	8	8,60
C-ABU 40	27100040	27200040	27700040	40	63	18	M10	1,8	8	12,00
C-ABU 45	27100045	27200045		45	70	18	M10	1,8	8	13,50
C-ABU 50	27100050	27200050	27700050	50	80	18	M10	1,8	10	22,00
C-ABU 60	27100060	27200060		60	90	20	M10	2	10	26,40
C-ABU 70	27100070	27200070		70	100	20	M10	2	10	28,75



MATERIAL C 45 UNI 7845
PHOSPHATED
GALVANISED
INOX AISI 304

CAD drawings available on our site
www.chiaravalli.com

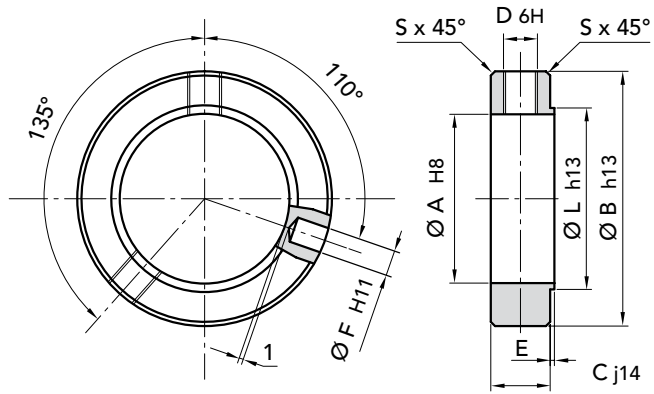
Quantity, availability and prices
on B2B Chiaravalli



CLAMPING COLLARS FORM C-AB

C-AB

Packages containing 30 pieces



CLAMPING COLLARS FORM C-AB

TYPE	PHOSPHATED P. NUMBER	GALVANISED P. NUMBER									WEIGHT FOR PACKAGE
			$\varnothing A$	$\varnothing B$	C	$\varnothing D$	E	$\varnothing F$	$\varnothing L$	S	
C-AB 6	27300006	27400006	6	12	8	M4	0,6	1,5	8	0,3	0,06
C-AB 8	27300008	27400008	8	16	8	M4	0,8	2	10	0,3	0,24
C-AB 10	27300010	27400010	10	20	10	M5	0,8	3	13	0,3	0,36
C-AB 12	27300012	27400012	12	22	12	M5	0,8	4	15	0,5	0,42
C-AB 15	27300015	27400015	15	25	12	M6	1	4	18	0,6	0,63
C-AB 17	27300017	27400017	17	28	12	M6	1	4	20	0,6	0,72
C-AB 20	27300020	27400020	20	32	14	M6	1	5	24	0,8	1,44
C-AB 25	27300025	27400025	25	40	16	M6	1	6	29	0,8	2,61
C-AB 30	27300030	27400030	30	45	16	M8	1,2	6	34	1	2,10
C-AB 35	27300035	27400035	35	56	16	M8	1,2	8	39	1	4,92
C-AB 40	27300040	27400040	40	63	18	M10	1,2	8	44	1	7,50



MATERIAL C 45 UNI 7845
PHOSPHATED
GALVANISED

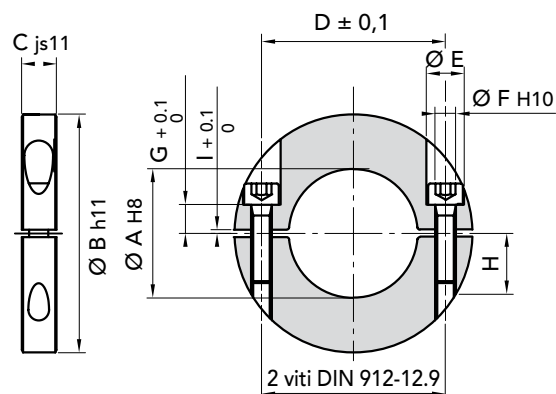
CAD drawings available on our site
www.chiaravalli.com

Quantity, availability and prices
on B2B Chiaravalli

CLAMPING COLLARS WITH OPEN RING


CLAMPING COLLARS WITH OPEN RING
C-ADB

 Packages containing
 10 pieces C-ADB 8÷40

 Packages containing
 5 pieces C-ADB 45÷70


TYPE	PHOSPHATED P. NUMBER	GALVANISED P. NUMBER												WEIGHT FOR PACKAGE Kg
			Ø A	Ø B	C	Ø D	Ø E	Ø F	G	H	I	Viti		
C-ADB 8	27500008	27600008	8	25	10	15	8	4,5	5	15	1,4	M4x15	0,40	
C-ADB 10	27500010	27600010	10	32	10	20	8	4,5	5	15	1,4	M4x15	0,57	
C-ADB 12	27500012	27600012	12	32	10	20	8	4,5	5	15	2	M4x15	0,60	
C-ADB 15	27500015	27600015	15	40	12	25	10	5,5	7	18	2	M5x20	1,00	
C-ADB 18	27500018	27600018	18	45	12	30	10	5,5	7	18	2	M5x20	1,25	
C-ADB 20	27500020	27600020	20	45	12	30	10	5,5	7	18	2	M5x20	1,20	
C-ADB 24	27500024	27600024	24	50	12	36	10	5,5	7	18	2	M5x20	1,42	
C-ADB 25	27500025	27600025	25	50	12	36	10	5,5	7	18	2	M5x20	1,41	
C-ADB 28	27500028	27600028	28	56	12	42	10	5,5	7	18	2	M5x20	1,74	
C-ADB 30	27500030	27600030	30	56	12	42	10	5,5	7	18	2	M5x20	1,65	
C-ADB 32	27500032	27600032	32	56	12	42	10	5,5	7	18	2	M5x20	1,60	
C-ADB 35	27500035	27600035	35	63	12	48	10	5,5	7	18	2	M5x20	2,03	
C-ADB 38	27500038	27600038	38	63	12	48	10	5,5	7	18	2	M5x20	2,00	
C-ADB 40	27500040	27600040	40	70	14	55	11	6,5	7	18	2	M6x20	2,84	
C-ADB 45	27500045	27600045	45	80	14	65	11	6,5	7	18	2	M6x20	1,90	
C-ADB 50	27500050	27600050	50	80	14	65	11	6,5	7	18	2	M6x20	1,75	
C-ADB 60	27500060	27600060	60	100	16	80	14	8,5	7	18	2	M8x20	3,15	
C-ADB 70	27500070	27600070	70	110	20	88	17	11	8,5	22	3	M10x25	4,40	
C-ADB 80	27500080	27600080	80	125	20	100	17	11	8,5	22	3	M10x25	5,65	

MATERIAL **C 45 UNI 7845**
PHOSPHATED
GALVANISED

CAD drawings available on our site
www.chiaravalli.com

Quantity, availability and prices
 on B2B Chiaravalli

