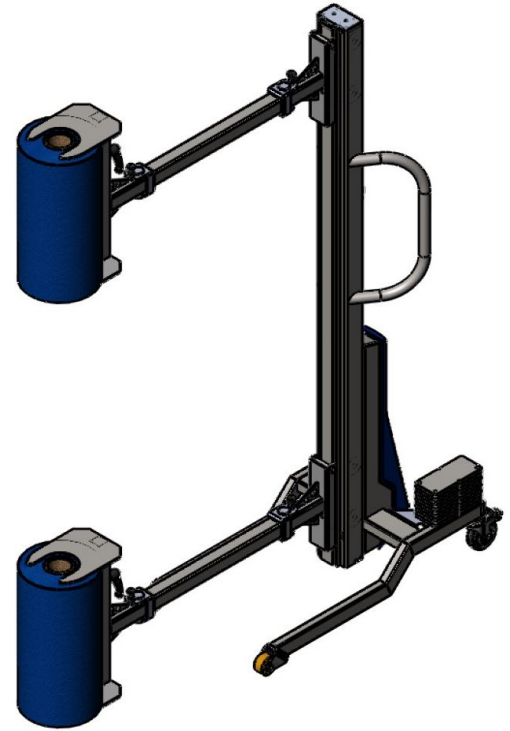
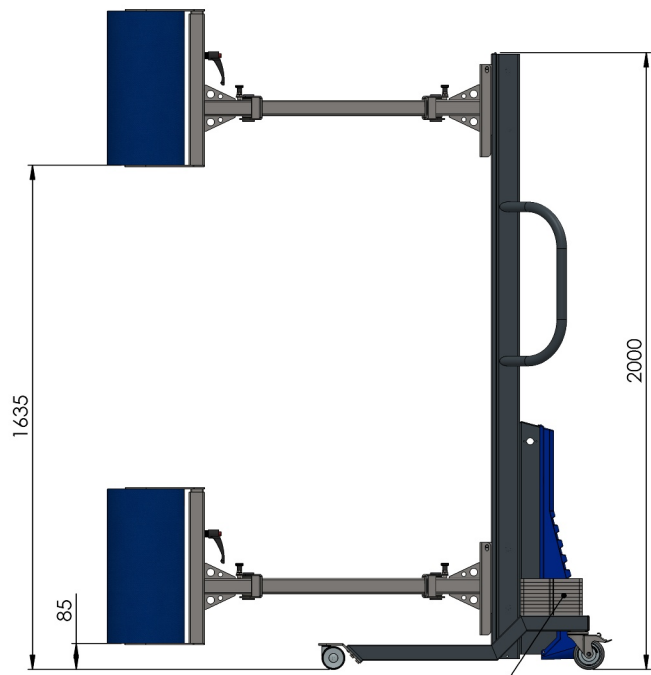
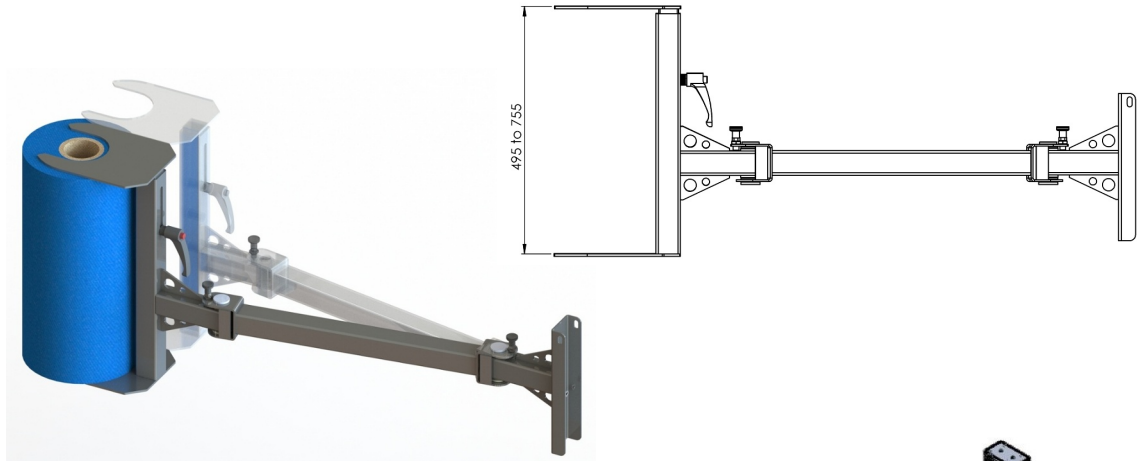
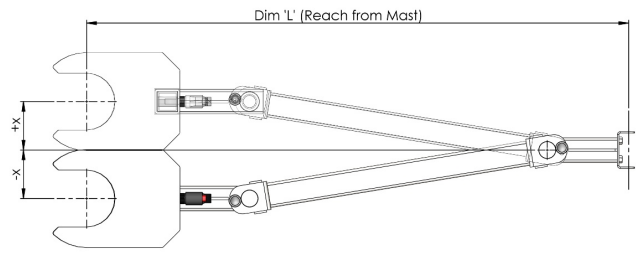


Art No. ML80-1200	ROLL HOLDER
Material: 304 Stainless Steel and Aluminium with fine Glass Blast finish	
Max 80kg @ 400mm	



Ballast Optional
(depending on arm length)

Revision 02