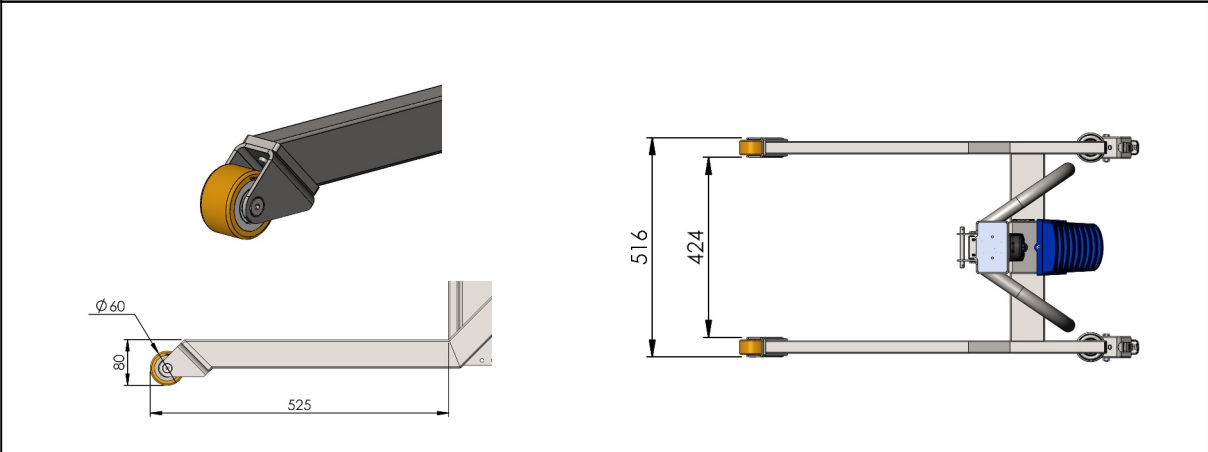


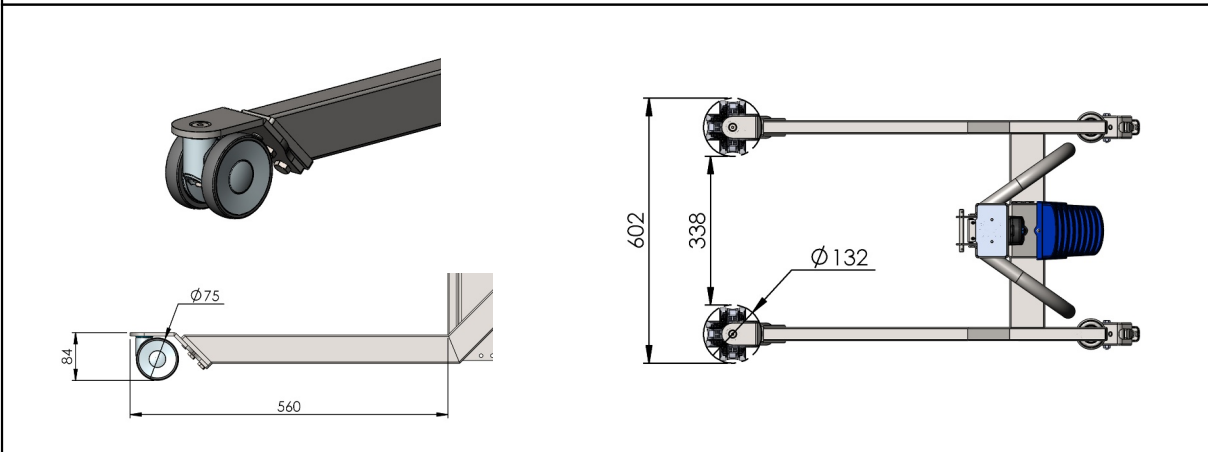
Art No. ML80 1020-1022

FRONT WHEEL OPTIONS DATA SHEET

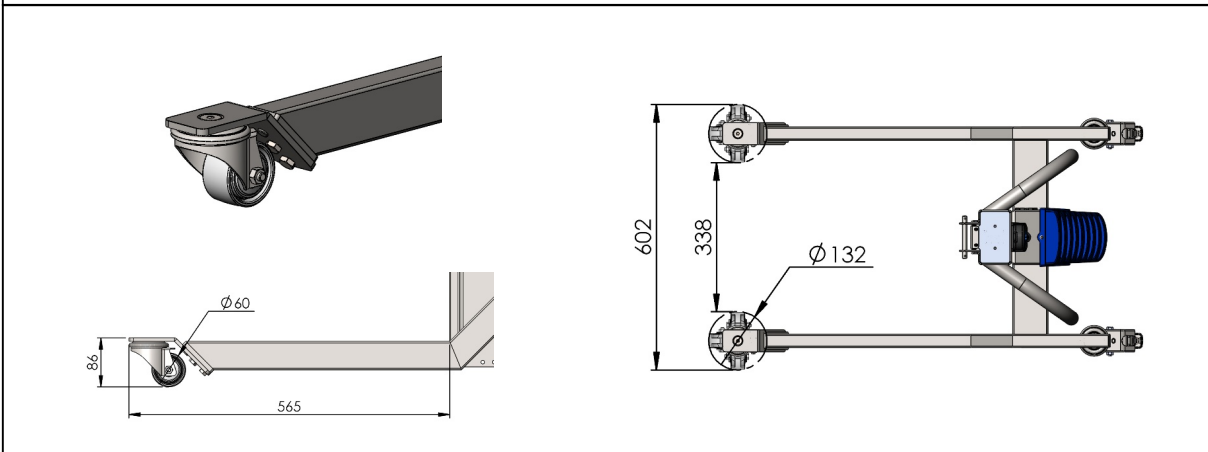
ML80 1020 Fixed Direct Front Wheel - 60mm Diameter Roller x 80mm Leg height



ML80 1021 Swivel Direction Front Caster - 75mm Diameter Front Twin wheel x 84mm leg height



ML80 1022 Swivel Direction Front Caster - 60mm Dia Front Twin wheel x 86mm leg height



Revision 01 Aug-18