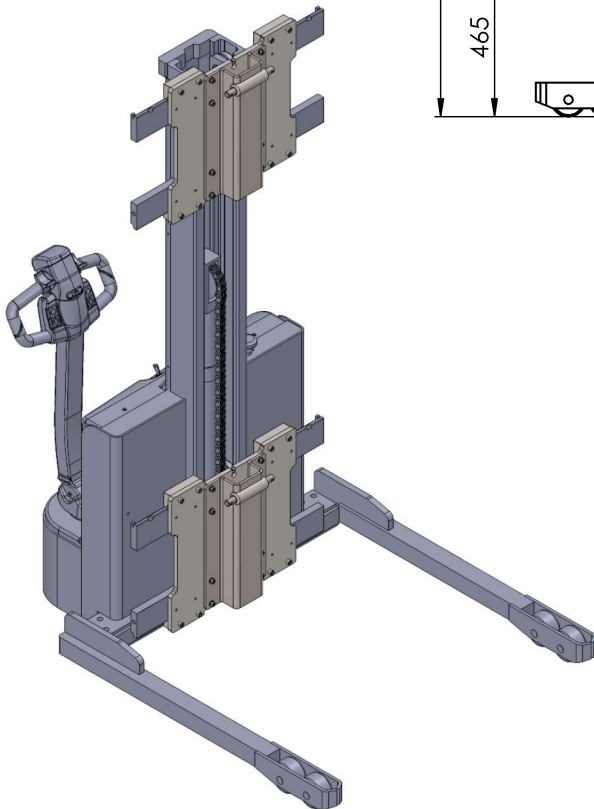
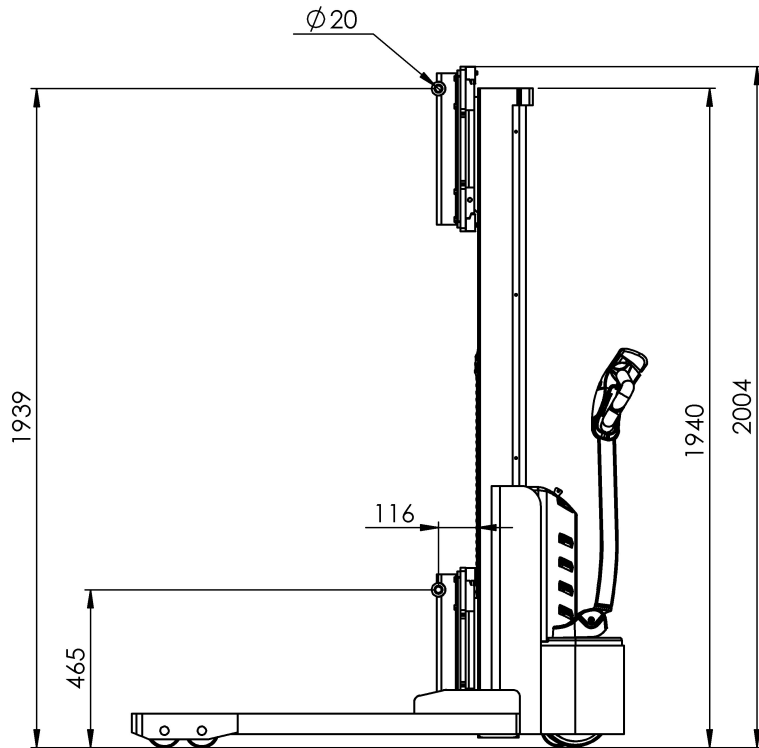
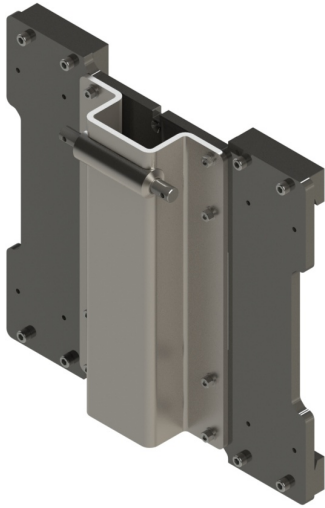


Art No. FEM1000

EP MOUNT PLATE

- Mild steel with powered coated finish
- Suits EP..... Mount
- Fixed position Universal tool mount, compatible with whole Torros range.
- Side shift version available, see FEM1001
- Ø20mm mount pin



Revision 01 Sept-18