

Delekatalog

TOR15T40



Oppgi alltid serienummer ved bestilling av deler!

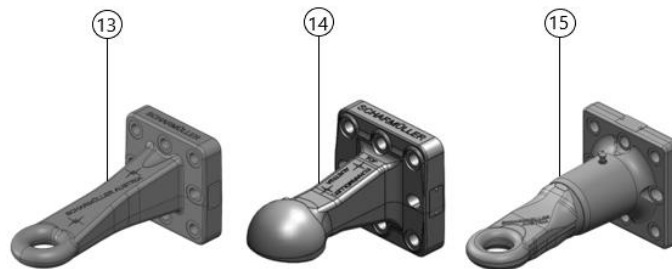
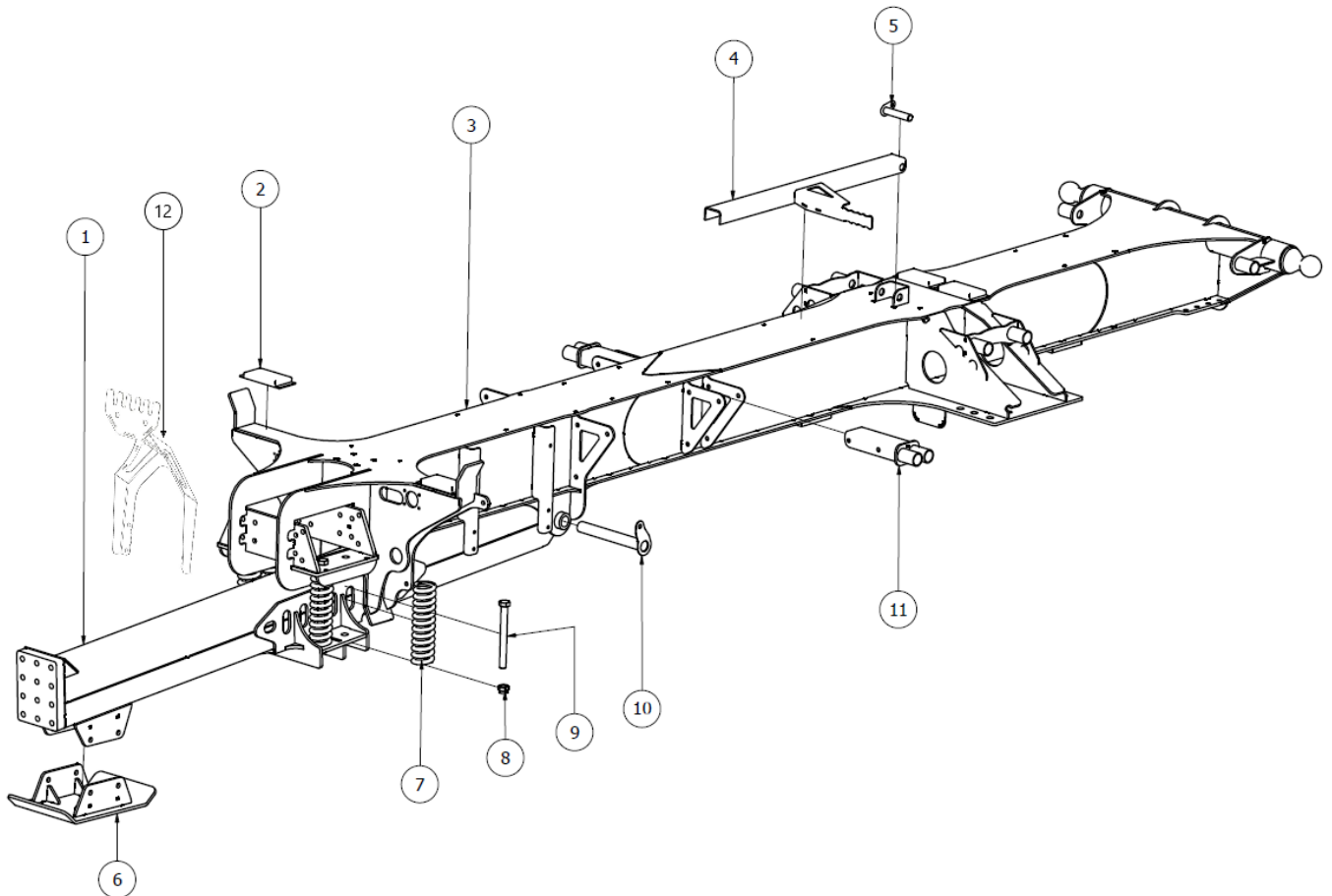
Serienummeret finner du på typeskiltet foran på høyre side ved tippsylider.

Bestilling av deler gjøres hos Felleskjøpet.

Innhold

<i>Chassis</i>	4
<i>Kasse</i>	6
<i>Hydraulikk</i>	8
<i>Elektrisk</i>	10
<i>Akselaggregat</i>	13
<i>Fjæring</i>	13
<i>Bremse sylindre</i>	15
<i>Bremser</i>	16

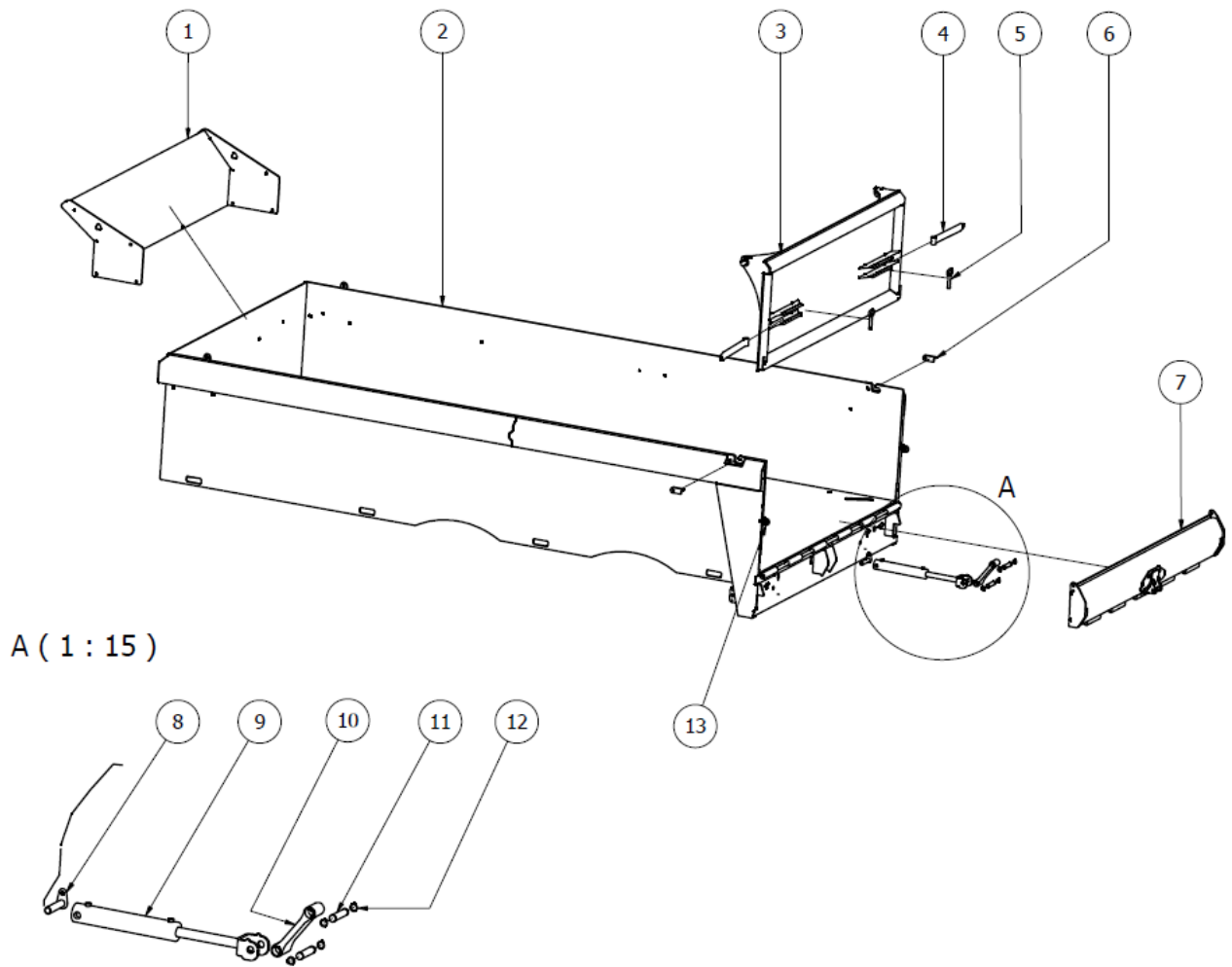
Chassis



Deler

Pos	Ant	Artikkelnr	Beskrivelse
1	1	R 121002	Drag
2	8	R 151112	Gummibuffer/chassieblock
3	1	R 151001	Senter-ramme
4	1	R 151004	Tippstøtte
5	1	R 151115	Bolt for tippstøtte
6	1	R 151003	Støttefot
7	4	R 151111	Trykkfjær
8	4	R 151117	Mutter M24 8
9	4	R 151116	Bolt DIN931 M24 x 340mm 8,8
10	1	R 151023	Bolt
11	2	R 151022	Feste for skjerbrakett
12	1	R 151006	Slangetårn
13	1	R 151101	Trekkøye 50mm Fast
14	1	R 151102	Kulekobling-K80
15	1	R 151100	Trekkøye 50mm Vribart

Kasse

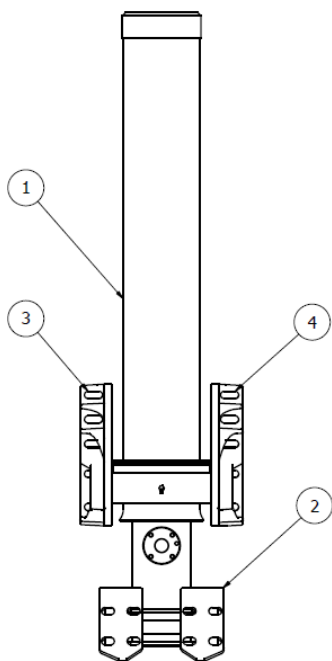


Deler

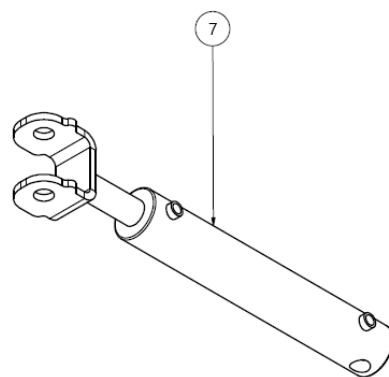
Pos	Ant	Artikkelnr	Beskrivelse
1	1	R 152005	Frontskjerm
2	1	R 152002	Dumperkasse
3	1	R 152004	Spredelem
4	2	R 152101	Nylonstropper for spredelem
5	2	R 152007	Bolt for nylonstropper
6	2	R 152009	Låsklaffer for spredelem
7	1	R 152003	Automatlem
8	1	R 151115	Bolt
9	1	R 152301	Sylinder
10	1	R 152104	Alu-stag
11	2	R 152010	Bolt
12	4	R 152103	Segerring
13	2	R 152102	Sjakkell

Hydraulikk

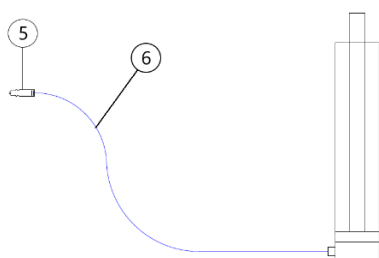
Tippsylinder



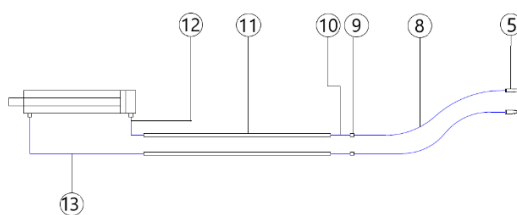
Automatlem sylinder



Skjema



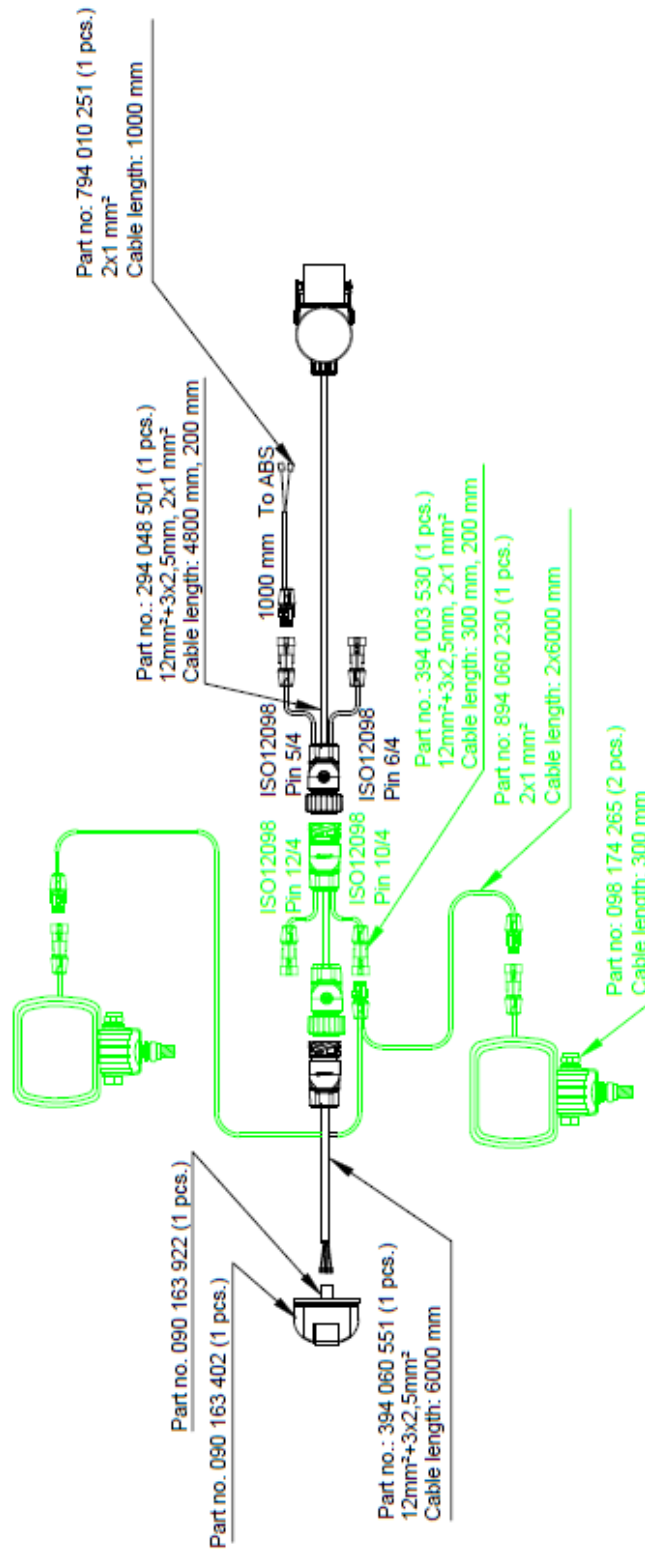
Skjema



Deler

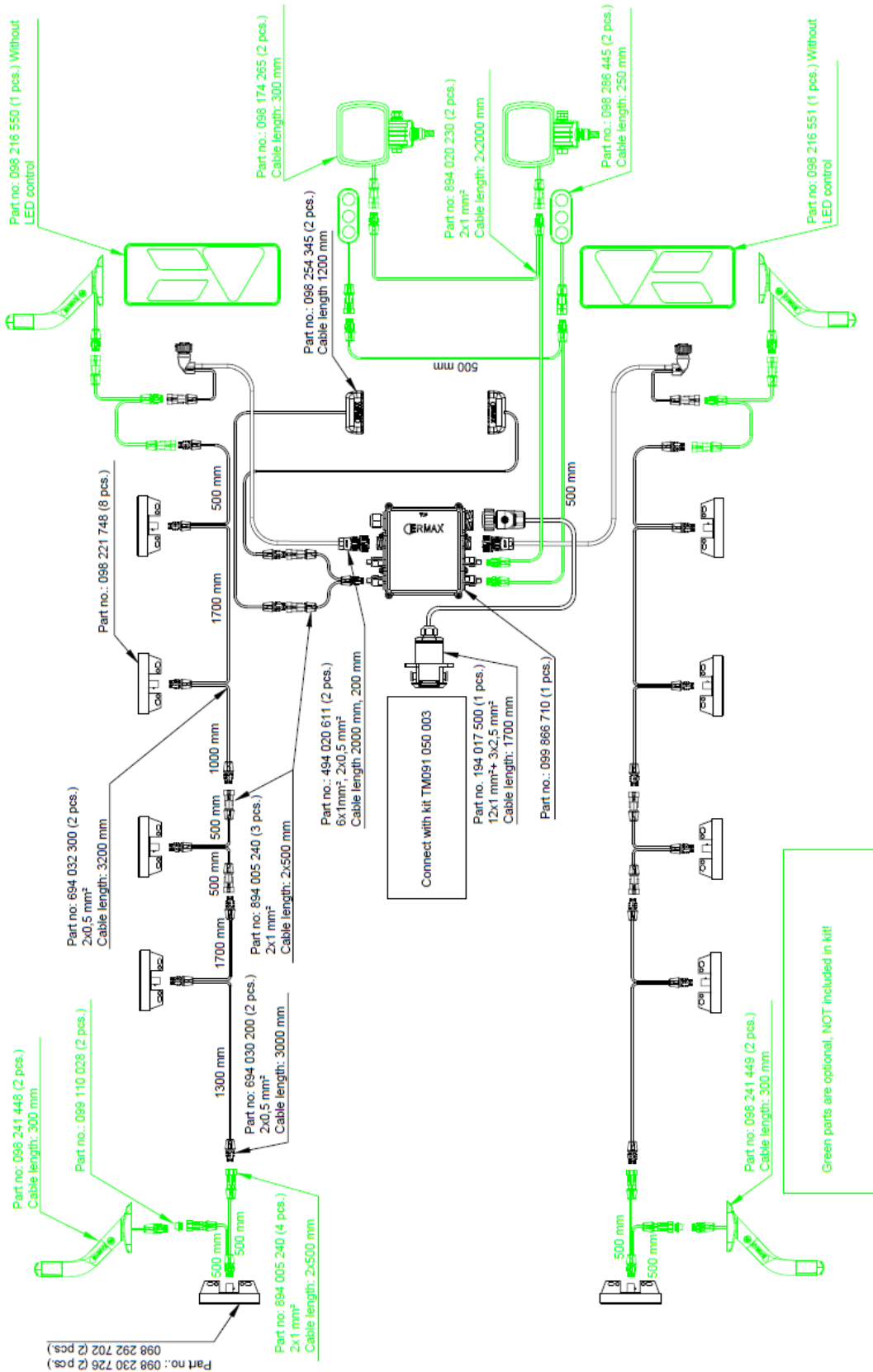
Pos	Ant	Artikkelnr	Beskrivelse
1	1	R 151301	Tippsylinder
2	2	R 151302	Nedre tippsylinderfeste
3	1	R 151303	Øvre tippsylinderfeste H
4	1	R 151304	Øvre tippsylinderfeste V
5	3	R 151312	1/2" ISO Male
6	1	R 151305	3/4" Hydraulikkslange
7	1	R 152301	Sylinder
8	2	R 151309	3/8" Slange
9	2	R 151311	12mm Skottgjennomføring
10	2	R 151308	3/8" Slange
11	2	R 151310	12mm Hydraulikkrør
12	1	R 151306	3/8" Slange
13	1	R 151307	3/8" Slange

Elektrisk Chassis



Green parts are optional, NOT included in kit!

Kasse



Deler

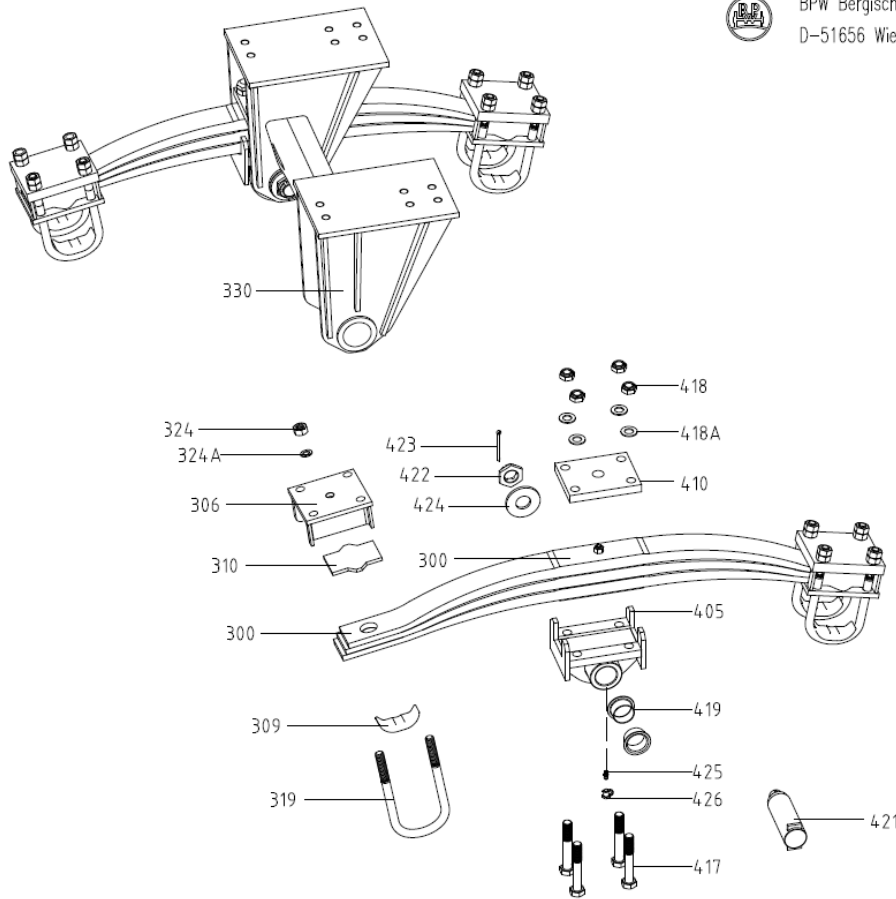
Pos	Ant	Artikkelnr	Beskrivelse
098216550	1	R 152201	Baklykt Høyre
098216551	1	R 152202	Baklykt Venstre
098221748	8	R 152203	Markeringslys - side. Oransje
098230726	2	R 152204	Markeringslys - foran. Hvit
098292702	2	R 152205	Feste for markeringslys foran
098174265	2	R 152206	Arbeidslys
098254345	2	R 152207	Skiltlys
098286445	2	R 152208	Varsellys
098241448	2	R 152209	Markeringslys - Gummiarm Høyre
098241449	2	R 152210	Markeringslys - Gummiarm Venstre

Akselaggregat

Fjæring



BPW Bergische Achsen Kommanditgesellschaft
D-51656 Wiehl, Postfach 1280



BPW-Doppelachsaggregat GSGWLA

Bild Nr.: 20.096/2

Deler



5688050393_UK.txt

SPARE PARTS LIST

56.88.05.0393

07.01.20

BPW TANDEM AXLE SUSPENSION GSBW 2/11010-1
 TRACK: 1950 MM
 WITH GSK

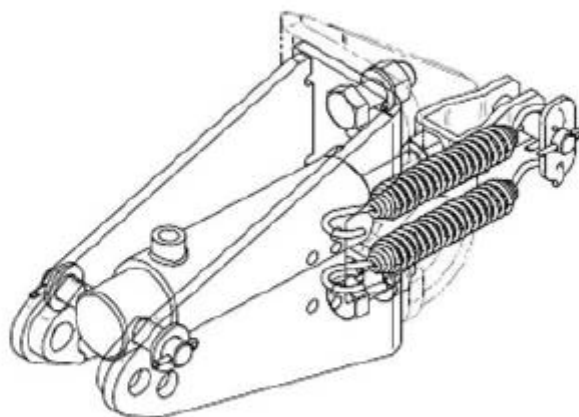
VIEW NO.: 20.096/2

ITEM	PART	MEASUREMENT	SERIAL-NO	PER UNIT
1	AXLE		55.88.460.960	1
2	AXLE		55.82.460.009	1
300	LEAF SPRING	12T W1450	05.082.50.49.0	2
306	SPRING SHOE		05.144.13.04.0	4
309	SEGMENT	VK120	03.345.23.02.1	8
310	GUMMI PLATE	T15	03.666.51.77.0	2
319	U-BOLT	M24X310X152	03.138.41.16.4	8
324	LOCK NUT	VM24/980	02.5220.74.12	16
324A	DISC	25/125	02.5401.25.07	16
330	When ordering axle beam assembly please state axle type and BPW-code-no.			1
405	BEARING	FB100	05.030.40.24.0	2
410	SPRING PLATE		03.032.61.78.0	2
417	HEXAGON SCREW	M30X240/931	02.5023.64.80	8
418	HEXAGON NUT	M30	03.260.15.01.0	8
418A	DISC	31/125	02.5401.31.04	8
419	BUSH	70/75/75X40	02.0314.14.00	4
421	THREAD BOLT	D70 L319	03.178.51.12.0	2
422	CASTLE NUT	M52X2	03.262.17.15.0	2
423	SPLIT	8X71/ISO 1234	02.6201.83.03	2
424	DISC	90/53X8	03.321.50.57.0	2
425	GREASE NIPPLE	AS8/71412	02.6850.01.02	2
426	COVER	GPN 985/0201	02.3505.20.00	2

Bremsesyndre

BPW-Vare nr. 05.703.14.51.0

**Beskrivelse: Monteringssats hydraulisk brems Ø35
(Settet er for en aksel)**



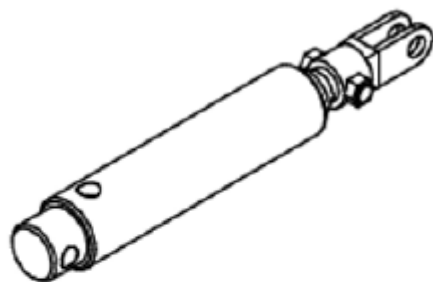
05.703.14.51.0 →

2 Stk 05.803.41.93.0 - HYDR-BREMSE SETT D=35 H=103 (Inkl. brakett, bolter, Skiver og Sylindrer)

4 Stk 05.397.26.03.0 - Returfjærer d=4 L=148

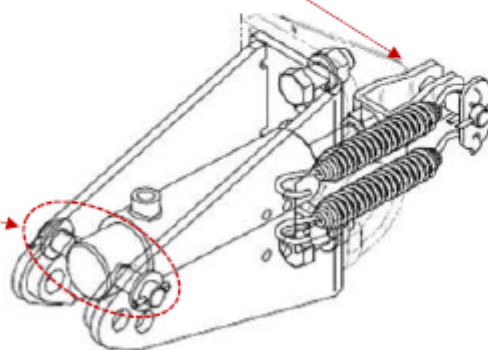
Løs sylindrer Ø=35

1 stk 05.444.50.49.0 Hydr. Bremsesylinder Ø=35 mm

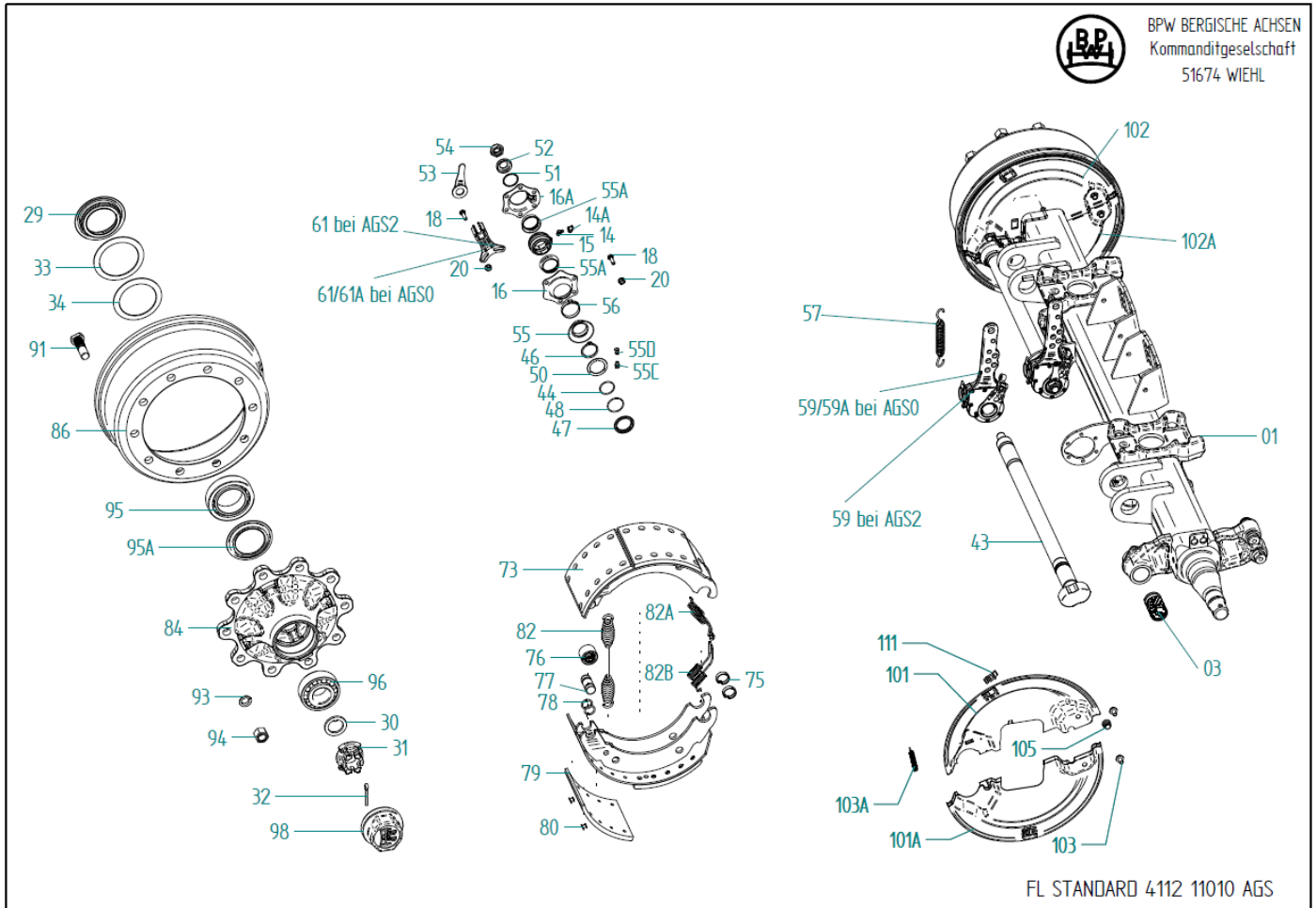


1 Stk 03.086.51.82.0 Bolt
2 Stk 02.6201.41.01 Splint
2 Stk 02.5401.15.04 Skive

1 Stk 03.086.52.50.0 Bolt
2 Stk 02.6201.41.01 Splint
2 Stk 02.5401.15.04 Skive



Bremser



Deler



5582460009_UK.txt

SPARE PARTS LIST

55.82.460.009

06.01.20

BPW-TRAILER AXLE GS 11010-1
BRAKE FL 4112
TRACK 1950 FM 1030
AXLE STUB VK 120X15
WITH Automatic slack adjuster
WHEEL STUD M22X1,5

VIEW NO: FL STANDARD 4112 11010 AGS

ITEM	PART	MEASUREMENT	SERIAL-NO	PER UNIT
1	When ordering axle beam assembly please state axle type and BPW-code-no. (ITEM. 3)			1
3	BUSH	42/46X72.6	03.112.44.34.0	2
13	ASSEMBLY KIT (ITEM.14-20,44-56)	KIT	09.803.80.20.0	1
14	GREASE NIPPLE	BS8X1	02.6850.02.02	2
14A	COVER		02.3505.20.00	2
15	BUSH		03.113.14.04.0	2
16	BEARING BOX		03.229.02.19.0	2
16A	BEARING BOX		03.229.02.18.0	2
18	HEXAGON SCREW	M8X30	02.5025.31.88	8
20	LOCK NUT	M8	02.5273.49.88	8
28	ASSEMBLY KIT (ITEM.29-34,95-96)	KIT	09.803.67.25.0	1
29	THRUST WASHER	33116	05.370.06.48.0	2
30	DISC		03.320.73.13.0	2
31	CASTLE NUT	M42X2	03.262.16.15.0	2
32	SPLIT PIN	8X50/ISO 1234	02.6201.82.01	2
33	RING	136/105X2,5	03.310.97.32.0	2
34	RING	142/111X2,5	03.310.97.31.0	2
43	CAM SHAFT	L=600 A=481,5	05.097.27.36.3	2
44	O-RING	37X2,6	02.5677.37.42	2
46	LOCK RING	42X2,5/471-FST	02.5676.01.00	4
47	RING	55/42X7	03.310.12.24.0	2
48	O-RING	40X2,5	02.5679.23.00	2
50	SEAL		03.120.42.02.0	2
51	CIRCLIP	SW 40	02.5659.40.71	2
52	DISC		03.320.11.16.1	2
53	LEVER		03.190.14.07.1	2
54	LOCK NUT	M22X1,5	05.260.14.12.0	2
55	DISC		03.120.43.14.0	2
55A	SEAL		03.120.42.09.0	4
55C	GREASE NIPPLE	AM10X1/71412	02.6802.03.50	2
55D	COVER		02.3505.20.00	2
56	CIRCLIP		03.350.30.01.0	2
57	RETURN SPRING	D=4 LO=148	05.397.26.03.0	2
59	Automatic slack adjuster	120-165(180=11)	05.174.45.07.3	2
61	SHAPEG PLATE		03.165.25.28.0	2
72	ASSEMBLY KIT (ITEM.73,75,82-82B,)	KIT FL4112	09.803.62.09.0	1
73	BRAKE SHOE ASSEMBLY (ITEM.POS. 75-78,79,80)		05.091.30.04.0	4
75	LOCKING RING		03.188.02.02.0	8
76	ROLLER		05.331.44.02.0	4
77	PIN		03.084.75.24.0	4
78	RING		03.310.70.15.0	8
79	BRAKE LINING		03.092.29.76.0	8
80	RIVET	B8X15/7338	02.5805.80.35	80
82	RETURN SPRING		05.397.58.03.0	2
82A	RETURN SPRING		03.397.33.12.0	2
82B	RETURN SPRING		03.397.33.13.0	2

we think transport



		5582460009_UK.txt		
84	HUB		03.271.54.90.0	2
86	BRAKE DRUM		03.106.00.10.0	2
91	WHEEL STUD	M22X1,5X80	03.296.33.11.1	20
92	ASSEMBLY KIT (ITEM.91,93,94)	KIT	09.803.80.14.0	20
93	SPRING WASHER	C22,5/74361	02.5615.22.94	20
94	NUT	M22X1.5 10 A3C	03.261.50.02.0	20
95	ROLLER BEARING	33116/720	02.6408.80.00	2
95A	COVER		03.010.93.33.0	2
96	ROLLER BEARING	32310/720	02.6406.50.00	2
98	HUB CAP	BPW 115X2	03.212.23.09.0	2
101	DUST COVER		03.010.81.73.0	1
101A	DUST COVER		03.010.81.74.0	1
102	DUST COVER		03.010.81.71.0	1
102A	DUST COVER		03.010.81.72.0	1
103	SCREW	M 10 x 15 / SW 13	02.5071.22.00	4
103A	RETURN SPRING		03.397.11.02.0	2
105	PLUG	GPN 320 - GL22 D22	02.3704.57.00	2
111	PLUG		03.379.00.23.0	4