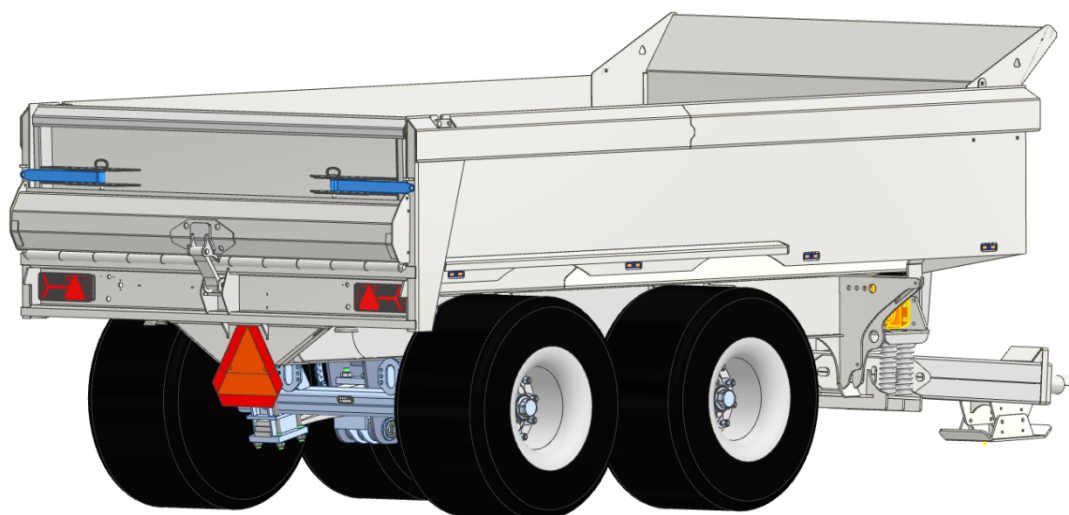


# *Delekatalog*

## **TOR12T40**



**Oppgi alltid serienummer ved bestilling av deler!**

**Serienummeret finner du på typeskiltet foran på høyre side ved tippsylider.**

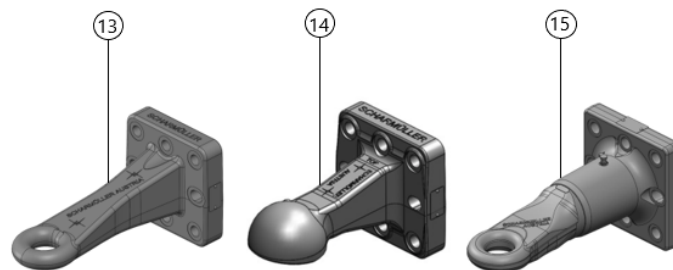
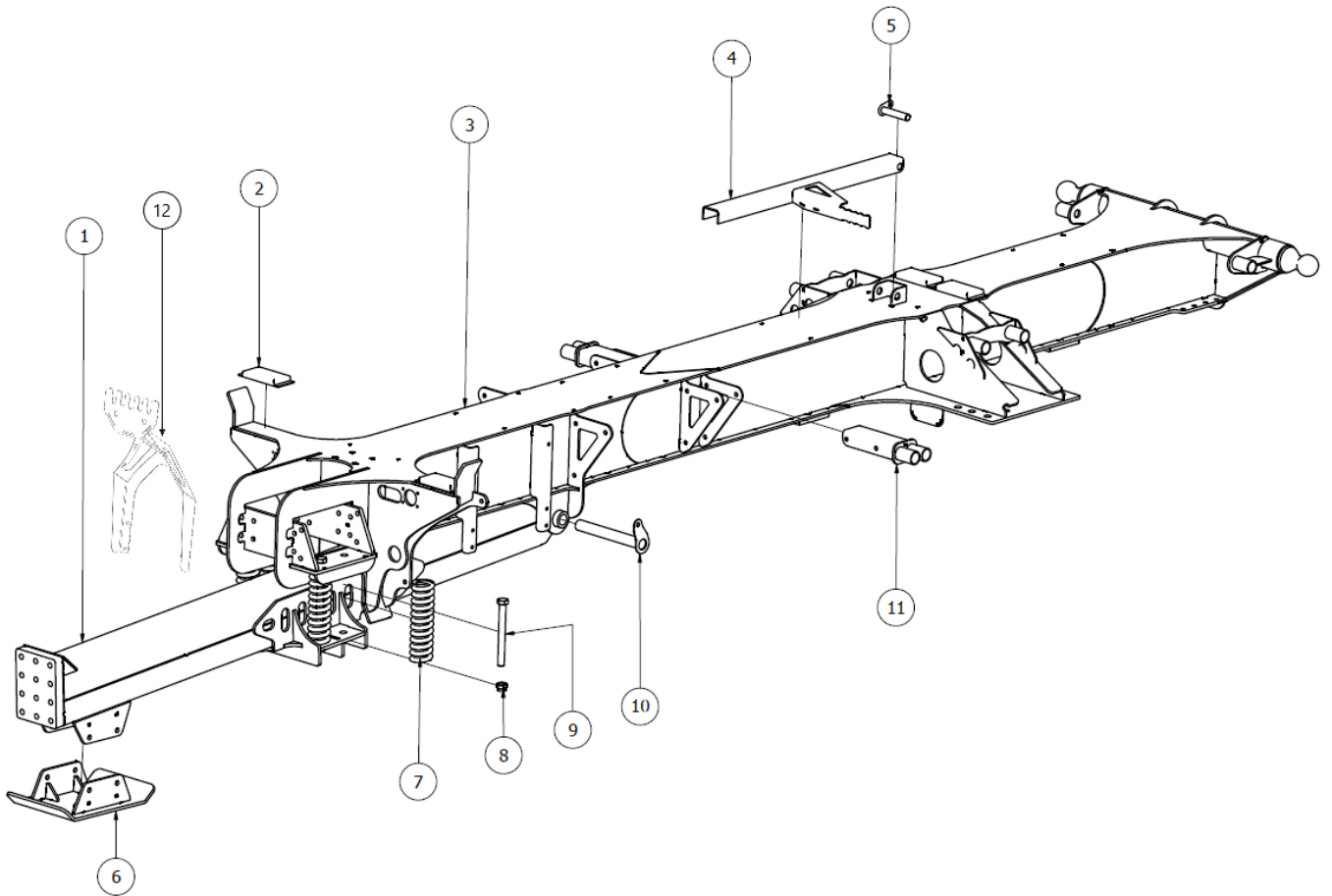
**Bestilling av deler gjøres hos Felleskjøpet.**



## Innhold

<i>Chassis</i> .....	4
<i>Kasse</i> .....	6
<i>Hydraulikk</i> .....	8
<i>Elektrisk</i> .....	10
<i>Akselaggregat</i> .....	13
<i>Bremser</i> .....	16

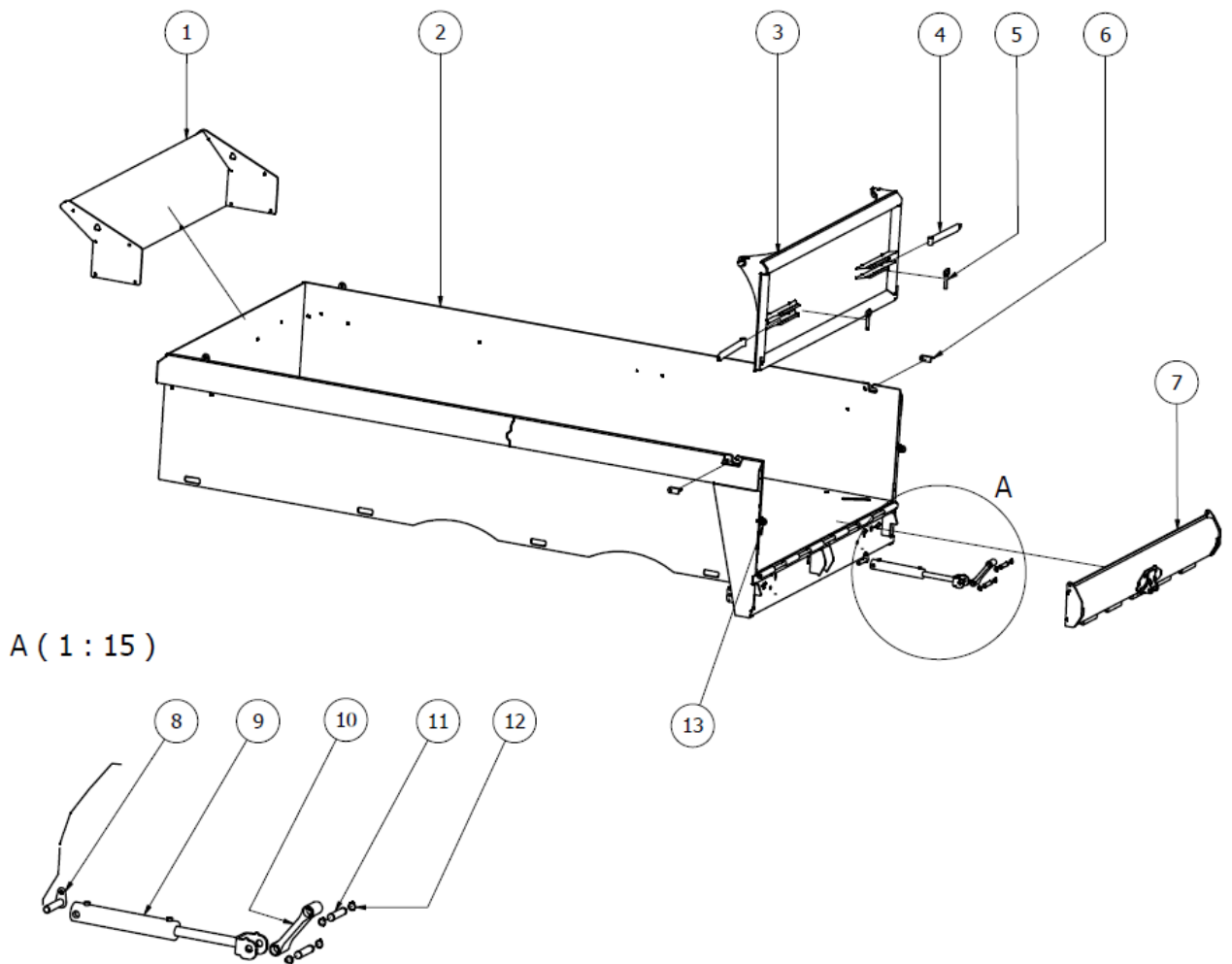
# Chassis



## Deler

Pos	Ant	Artikkelnr	Beskrivelse
1	1	R 121002	Drag
2	8	R 151112	Gummibuffer/chassieblock
3	1	R 121001	Senter-ramme
4	1	R 151004	Tippstøtte
5	1	R 151115	Bolt for tippstøtte
6	1	R 151003	Støttefot
7	4	R 151111	Trykkfjær
8	4	R 151117	Mutter M24 8
9	4	R 151116	Bolt DIN931 M24 x 340mm 8,8
10	1	R 151023	Bolt
11	2	R 151022	Feste for skjermbrakett
12	1	R 151006	Slangetårn
13	1	R 151101	Trekkøye 50mm Fast
14	1	R 151102	Kulekobling-K80
15	1	R 151100	Trekkøye 50mm Vribart

# Kasse

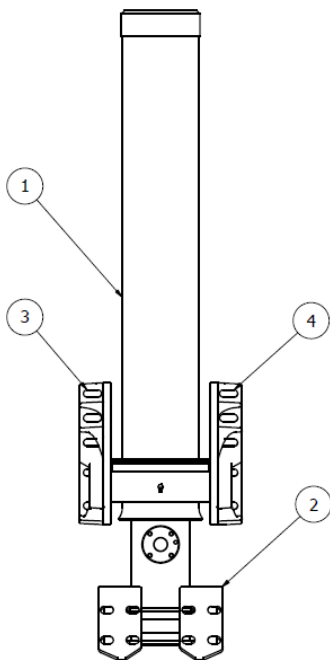


## *Deler*

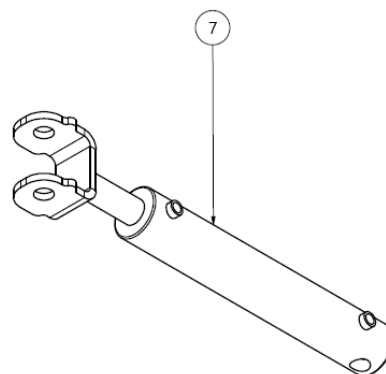
<b>Pos</b>	<b>Ant</b>	<b>Artikkelnr</b>	<b>Beskrivelse</b>
1	1	R 152005	Frontskjerm
2	1	R 122002	Dumperkasse
3	1	R 122004	Spredelem
4	2	R 152101	Nylonstroppe for spredelem
5	2	R 152007	Bolt for nylonstroppe
6	2	R 152009	Låsklaffer for spredelem
7	1	R 152003	Automatlem
8	1	R 151115	Bolt
9	1	R 152301	Sylinder
10	1	R 152104	Alu-stag
11	2	R 152010	Bolt
12	4	R 152103	Segerring
13	2	R 152102	Sjakkell

# Hydraulikk

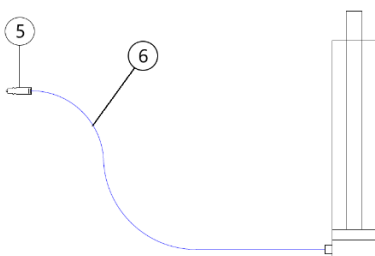
Tippsylinder



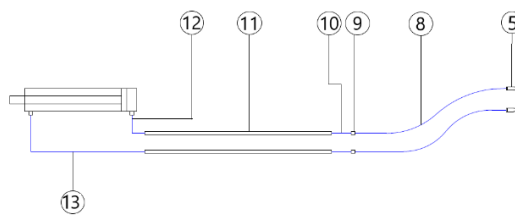
Automatlem sylinder



Skjema



Skjema

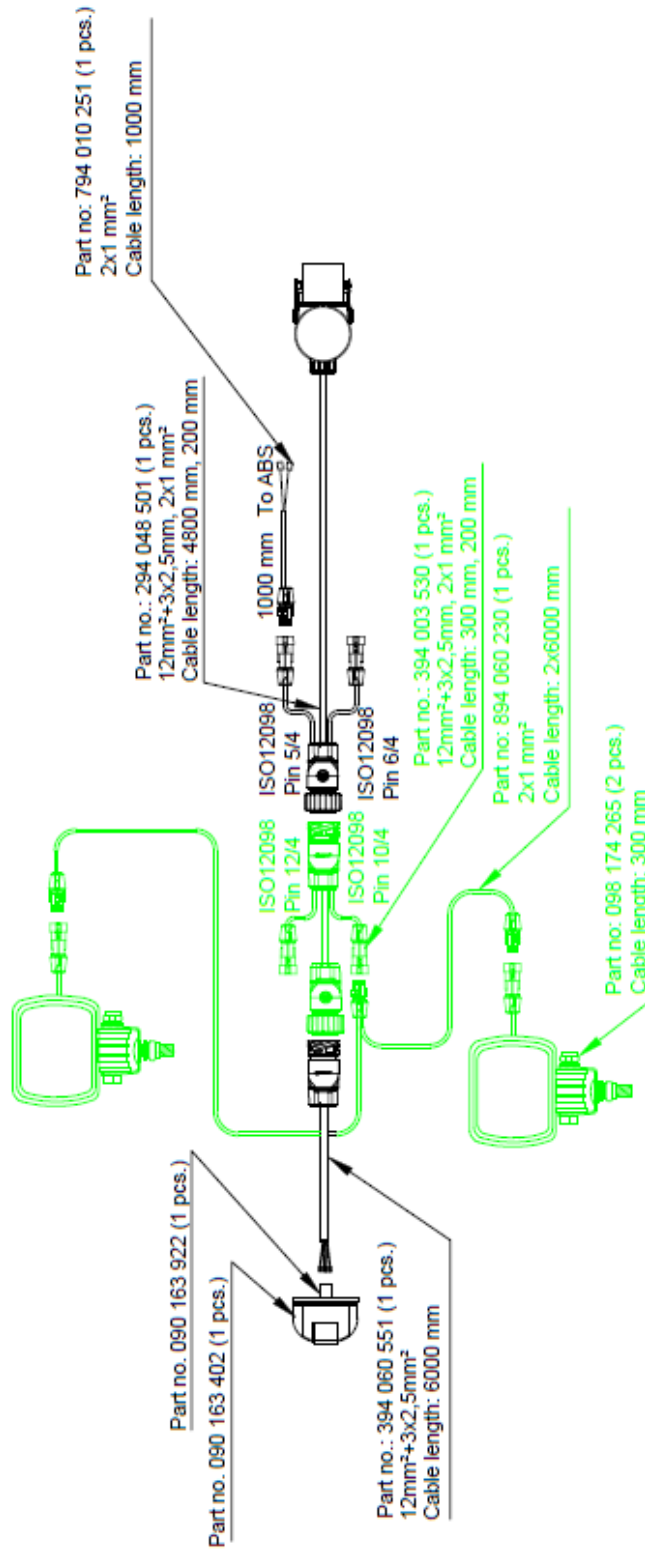




## *Deler*

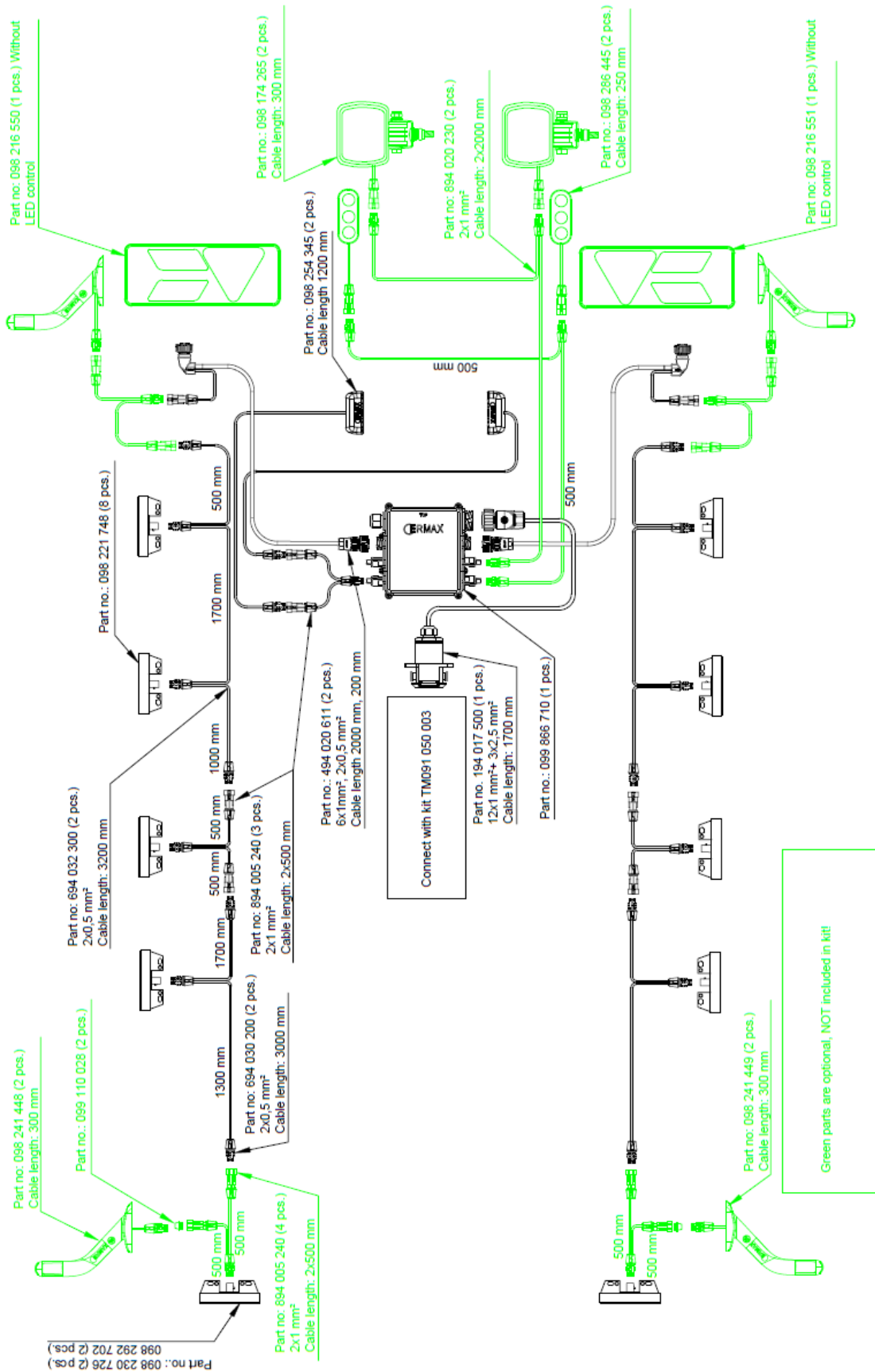
<b>Pos</b>	<b>Ant</b>	<b>Artikkelnr</b>	<b>Beskrivelse</b>
1	1	R 121301	Tippsylinder
2	2	R 151302	Nedre tippsylinderfeste
3	1	R 151303	Øvre tippsylinderfeste H
4	1	R 151304	Øvre tippsylinderfeste V
5	3	R 151312	1/2" ISO Male
6	1	R 121305	3/4" Hydraulikkslange
7	1	R 152301	Sylinder
8	2	R 121309	3/8" Slange
9	2	R 151311	12mm Skottgjennomføring
10	2	R 151308	3/8" Slange
11	2	R 151310	12mm Hydraulikkrør
12	1	R 151306	3/8" Slange
13	1	R 151307	3/8" Slange

# Elektrisk Chassis



Green parts are optional, NOT included in kit!

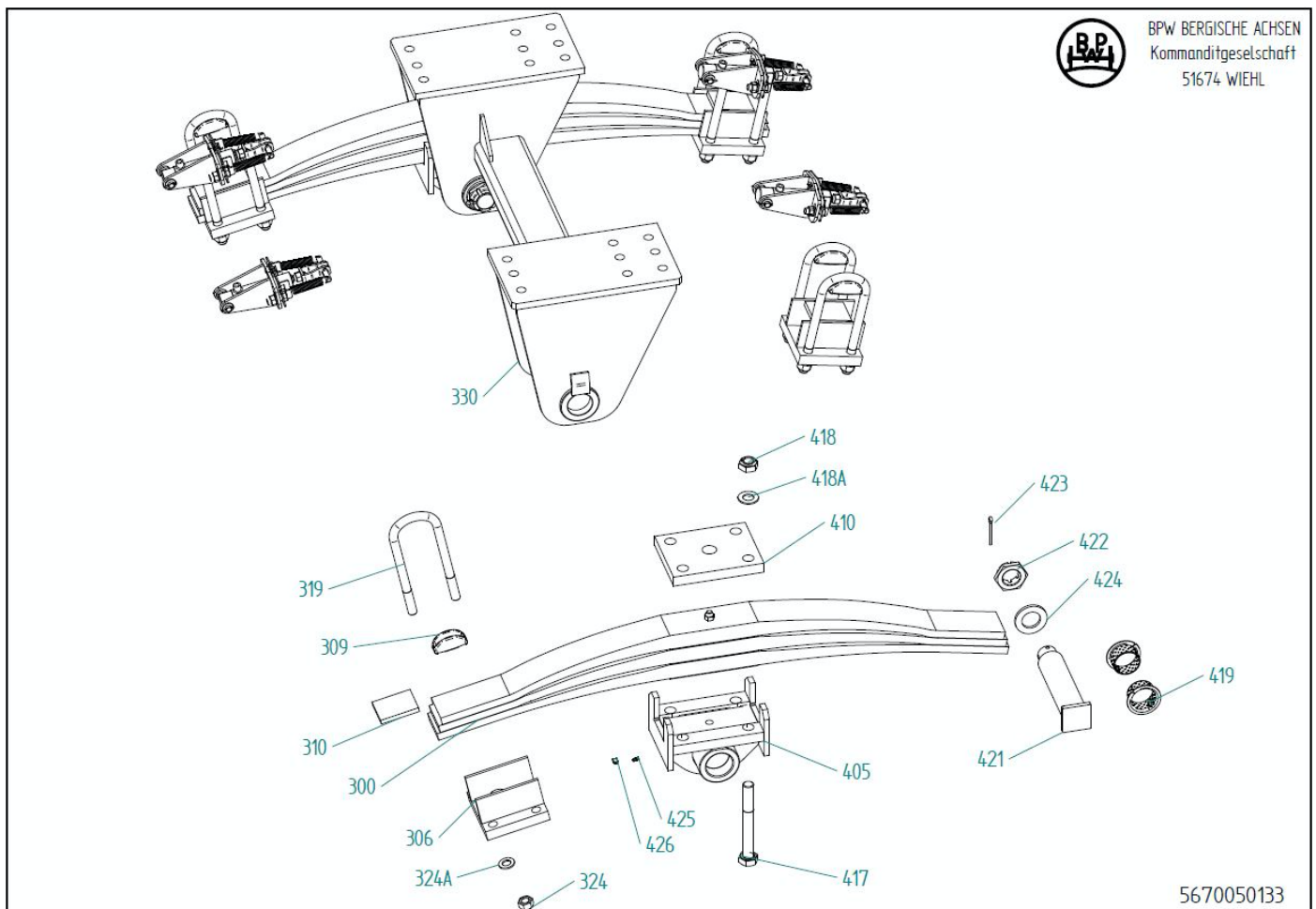
# Kasse



## *Deler*

<b>Pos</b>	<b>Ant</b>	<b>Artikkelnr</b>	<b>Beskrivelse</b>
098216550	1	R 152201	Baklykt Høyre
098216551	1	R 152202	Baklykt Venstre
098221748	8	R 152203	Markeringslys - side. Oransje
098230726	2	R 152204	Markeringslys - foran. Hvit
098292702	2	R 152205	Feste for markeringslys foran
098174265	2	R 152206	Arbeidslys
098254345	2	R 152207	Skiltlys
098286445	2	R 152208	Varsellys
098241448	2	R 152209	Markeringslys - Gummiarm Høyre
098241449	2	R 152210	Markeringslys - Gummiarm Venstre

# Akselaggregat Fjæring

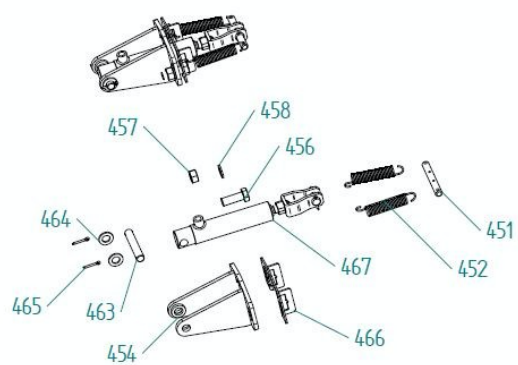


## Bremsesylindre

OBS. Forskjell på bremsesylindrene foran og bak. Nr.450 foran.



BPW BERGISCHE ACHSEN  
Kommanditgesellschaft  
51674 WIEHL



5670050133\_1

## Deler



5670050133\_UK.txt

SPARE PARTS LIST

56.70.05.0133

18.06.20

-----  
 BPW TANDEM AXLE SUSPENSION GSBW 2/ 8010-3  
 TRACK: 1950 MM  
 WITH GSK  
 -----

VIEW NO.: 5670050133 und 5670050133\_1  
 -----

ITEM	PART	MEASUREMENT	SERIAL-NO	PER UNIT
1	AXLE		55.70.461.076	1
2	AXLE		55.70.461.076	1
300	LEAF SPRING	12T W1450	05.082.50.49.0	2
306	SPRING SHOE		05.145.41.96.0	4
309	SEGMENT		03.345.21.01.0	8
310	GUMMI PLATE	T15	03.666.51.77.0	2
319	U-BOLT	M24X301X125	03.138.44.04.4	8
324	LOCK NUT	VM24/980	02.5220.74.12	16
324A	DISC	25/125	02.5401.25.07	16
330	When ordering axle beam assembly please state axle type and BPW-code-no.			1
405	BEARING	FB100	05.030.40.24.0	2
410	SPRING PLATE		03.032.61.78.0	2
417	HEXAGON SCREW	M30X240/931	02.5023.64.80	8
418	HEXAGON NUT	M30	03.260.15.01.0	8
418A	DISC	31/125	02.5401.31.04	8
419	BUSH	70/75/75X40	02.0314.14.00	4
421	THREAD BOLT	D70 L319	03.178.51.12.0	2
422	CASTLE NUT	M52X2	03.262.17.15.0	2
423	SPLIT	8X71/ISO 1234	02.6201.83.03	2
424	DISC	90/53X8	03.321.50.57.0	2
425	GREASE NIPPLE	AS8/71412	02.6850.01.02	2
426	COVER	GPN 985/0201	02.3505.20.00	2
450	CYLINDER		05.666.52.11.0	2
451	BOLT	D=14 L=110	03.086.51.65.0	4
452	Return spring		03.397.26.07.0	8
454	Support		05.189.87.75.0	4
456	HEXAGON SCREW	M16x45/933	02.5026.35.88	8
457	6KT.MUTTER	M16/934	02.5202.20.82	8
458	Spring washer	A16/128	02.5601.16.90	8
463	BOLT	D=16 L= 96	03.086.50.19.0	4
464	DISC	17/125	02.5401.17.04	8
465	SPLIT	ISO1234-4X25	02.6201.41.01	16
466	Shaped plate		03.168.36.18.0	4
467	CYLINDER		05.444.50.12.0	2

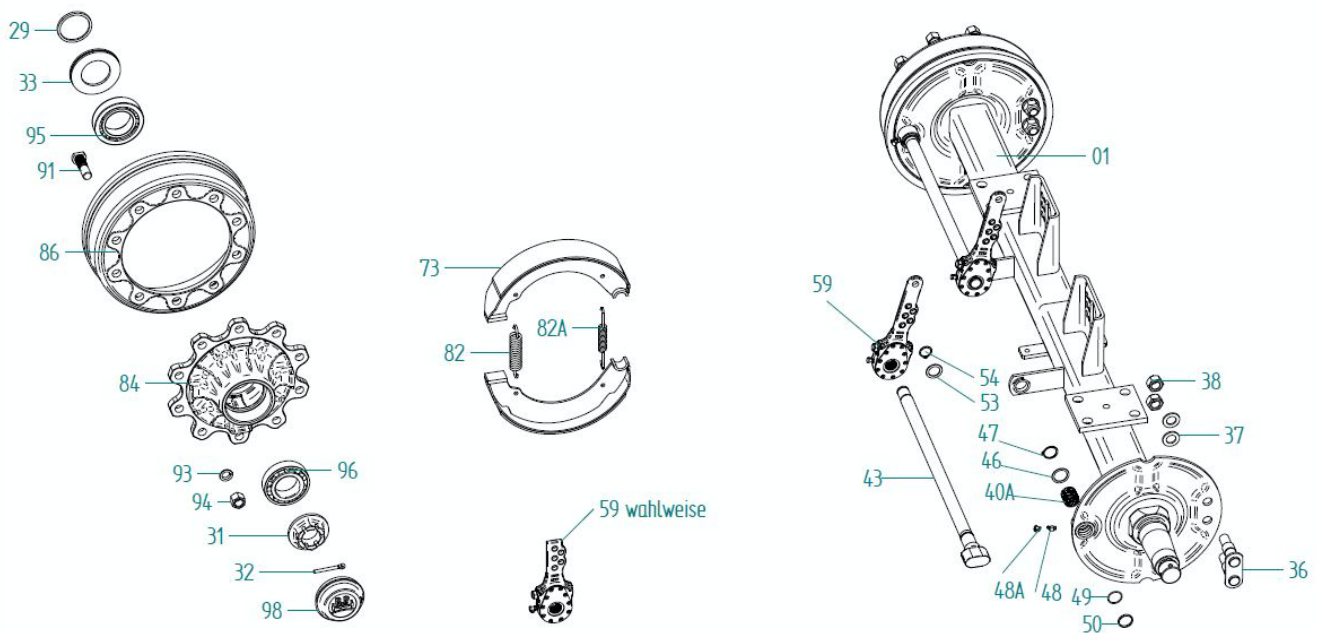


## Bremser

Pos. 01 und 59 sind schematische Darstellungen, können bei den einzelnen Artikeln unterschiedlich sein!



BPW BERGISCHE ACHSEN  
Kommanditgesellschaft  
51674 WIEHL



GS 8010-3 N4008-4 5570461025



# Deler



5570461076\_UK.txt

SPARE PARTS LIST

55.70.461.076

18.06.20

-----  
 BPW-TRAILER AXLE GS 8010-3,  
 BRAKE N 4008-4,  
 TRACK 1950 MM, FM 1030  
 WHEEL STUD M 22X1,5 WITH WHEEL NUT AND SPRING WASHER  
 -----

VIEW NO.: GS 8010-3 N4008-4  
 -----

ITEM	PART	MEASUREMENT	SERIAL-NO	PER UNIT
1	AXLE BEAM	When ordering axle beam assembly please state axle type and BPW-code-no.		1
28	INSTALLATION KIT (ITEM POS.29-33,95-96)	KIT	09.803.87.77.0	1
29	THRUST WASHER		03.370.05.17.0	2
31	CASTLE NUT	M52X2	03.262.50.02.0	2
32	SPLIT	8X63/ISO 1234	02.6201.84.01	2
33	RING	77/13x14,5	05.120.27.09.0	2
35	ASSEMBLY (ITEM 36-38)	BRAKE	05.803.60.73.0	2
36	Thread bolt		05.178.51.77.0	2
37	DISC	126/26	02.5402.26.01	4
38	LOCK NUT	VM 24X1,5	02.5220.75.80	4
40A	BUSH	38/34X35	03.113.61.93.0	2
43	CAM SHAFT	L 640 / A 541	05.097.56.55.0	2
46	SHIM	35X45X1	02.5410.26.10	2
47	Locking ring	A34X1,5/471	02.5603.34.90	2
48	GREASE NIPPLE	B S 8X1/71412	02.6850.02.02	2
48A	COVER	GPN 980 0201	02.3505.20.00	2
49	O-RING	33,3X2,4	02.5680.01.40	2
50	RING	37,9/34,1X4,2	03.311.50.78.0	2
53	SHIM	30X42X2/988	02.5410.24.20	2
54	Locking ring	29X1,5/471	02.5603.29.90	2
59	Slack adjuster		05.174.40.16.0	2
72	INSTALLATION KIT (ITEM POS.73-82A)	KIT	09.803.87.76.0	1
73	BRAKE SHOE ASSEMBLY	WITH BELAG	05.091.50.11.0	4
82	RETURN SPRING	LO=138 DM24 D=6	03.397.67.05.0	2
82A	RETURN SPRING	D=4 DM=16 LO=174	03.397.44.08.0	2
84	HUB		03.271.54.82.0	2
86	BRAKE DRUM		03.106.00.03.0	2
91	WHEEL STUD	M22X1,5X80	03.296.33.11.1	20
92	WHEEL STUD (ITEM POS.91,93,94)	KIT	09.803.80.14.0	20
93	Spring washer	C 22,5/74361	02.5615.22.94	20
94	Wheel nut	M22X1,5	03.261.50.02.0	20
95	ROLLER BEARING	32215/720	02.6405.75.00	2
96	ROLLER BEARING	32213/720	02.6405.65.00	2
98	HUB CAP	D=120,3	03.211.20.08.0	2

