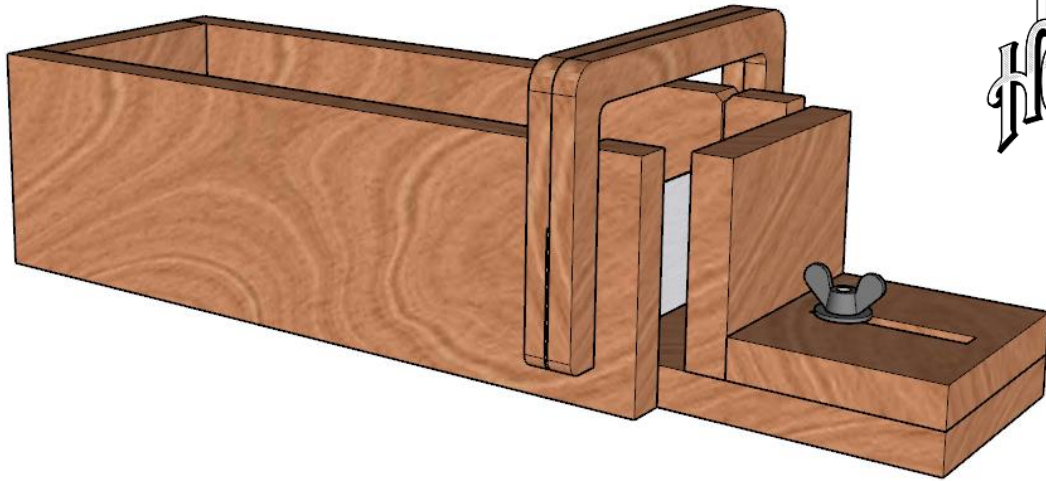


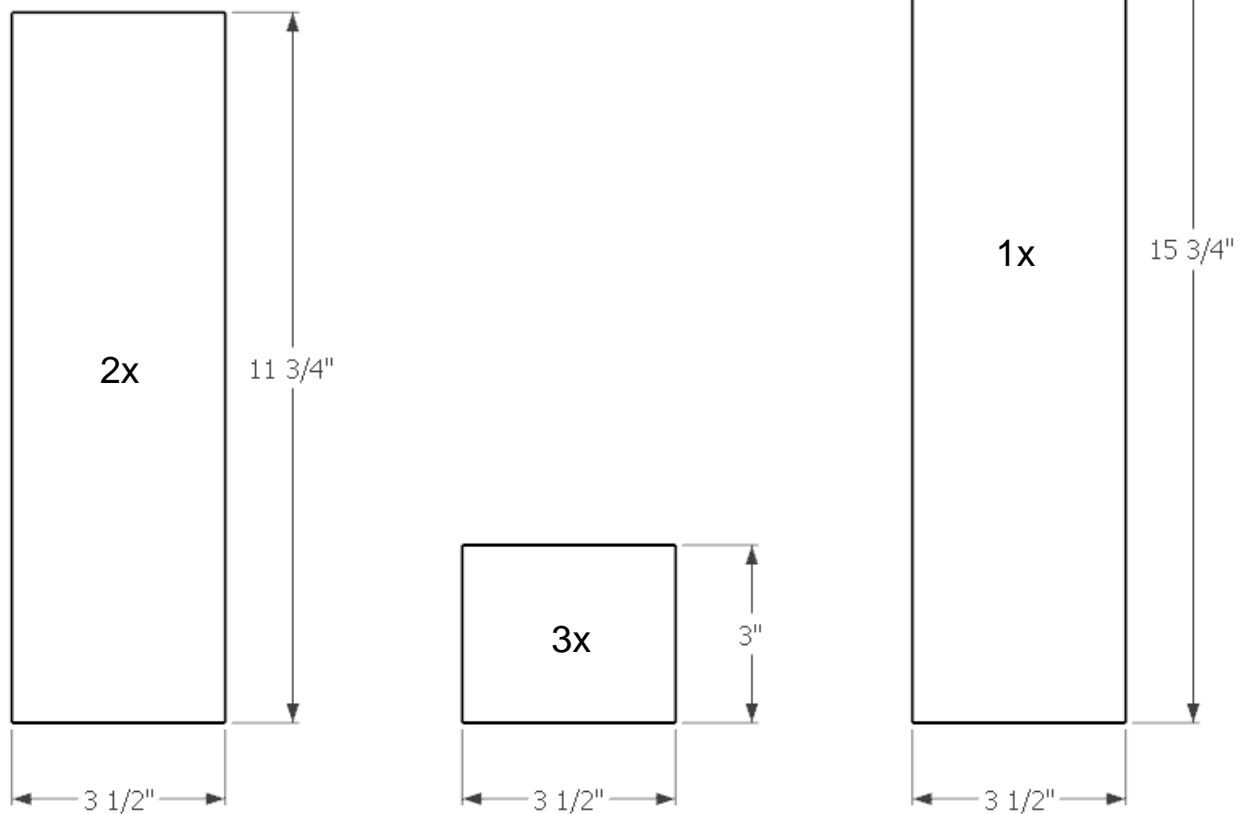
Soap Cutter and Mold Combo

Will make 12 soap bars of 4 ounce, measuring 3½" x 2½" x 1"

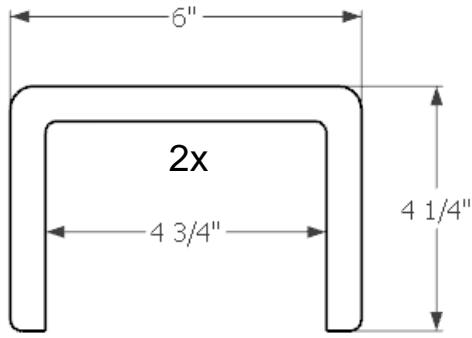


Cut sheet 5/8" plywood:

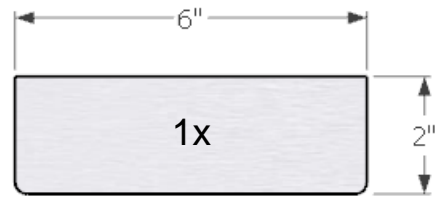
If needed, wood can be cut to size at your local hardware store, but a jigsaw will work fine as well, as long as you cut as straight as you can.



Cut sheet 3/8mm plywood:



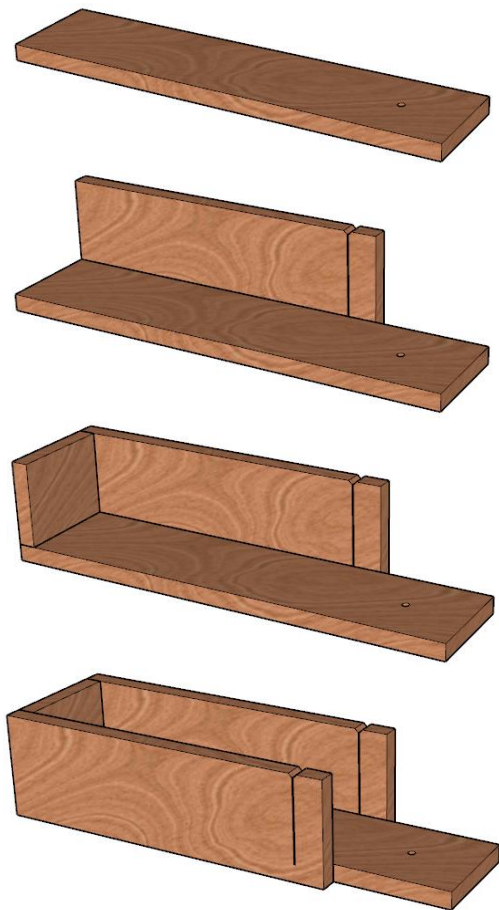
Cut sheet 3/64" steel:



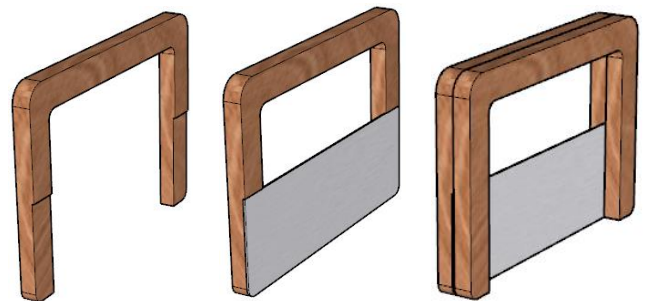
Construction

Use wood glue and screws to attach all the wooden pieces together. Use epoxy to attach the steel to the wooden handle scales. Pre-drill the holes for the screws so that the plywood doesn't split. Assemble the pieces for the cutter and mold in the following order.

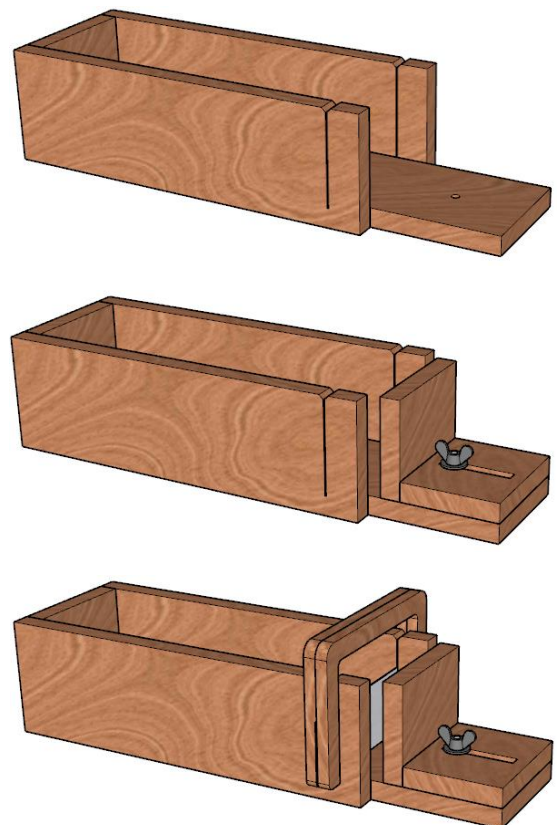
Mold assembly:



Cutter assembly:



Final assembly:



Guide assembly:

