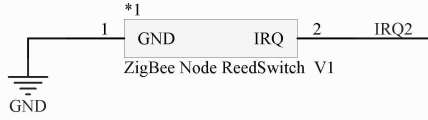
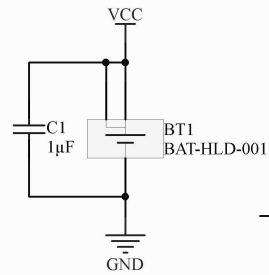
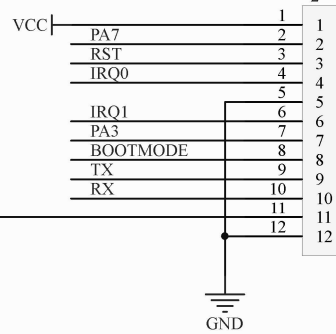


Connectors

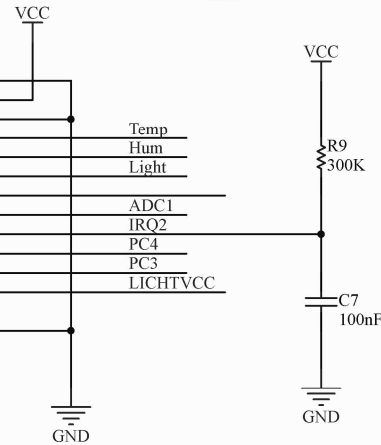
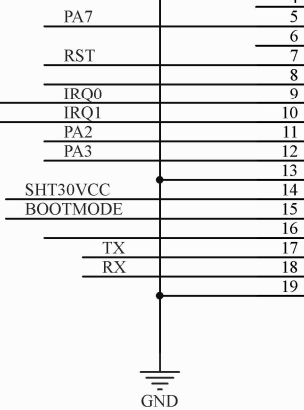
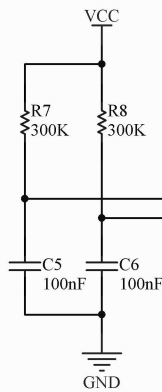
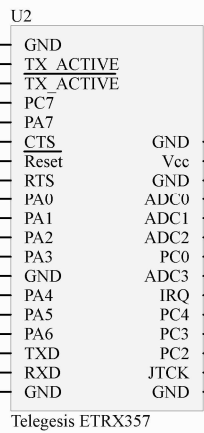
Power



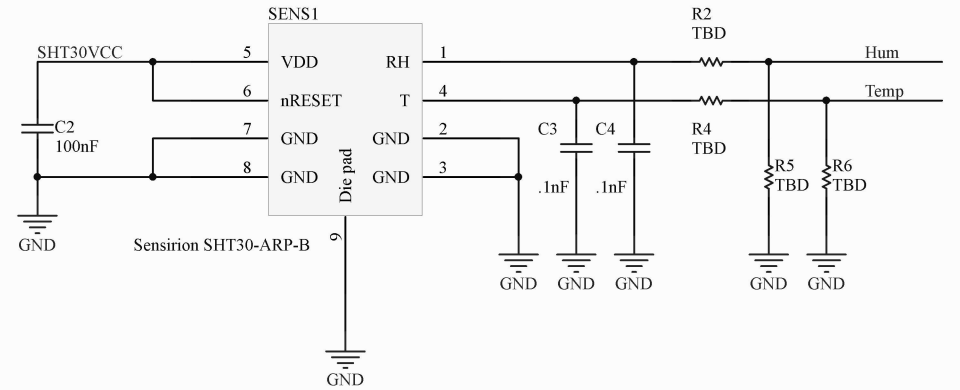
ZigBee Node Connector V2



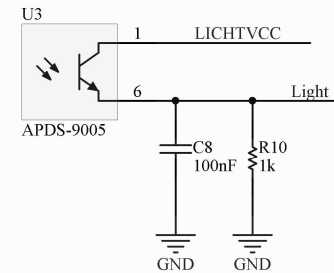
ZigBee



Temperature/Humidity



Light



Title		
Size	Number	Revision
A4		
Date:	23/08/2018	Sheet of
File:	Main.SchDoc	Drawn By: