

TANDBERG®

Programmable FM Tuner 3011 Illustrated Parts List

Bestilling av deler

Ved alle henvendelser, vennligst oppgi apparatets type og serienummer.
Ved bestilling av deler, oppgi bestillingsnummer og beskrivelse.

Bestillingsadresse

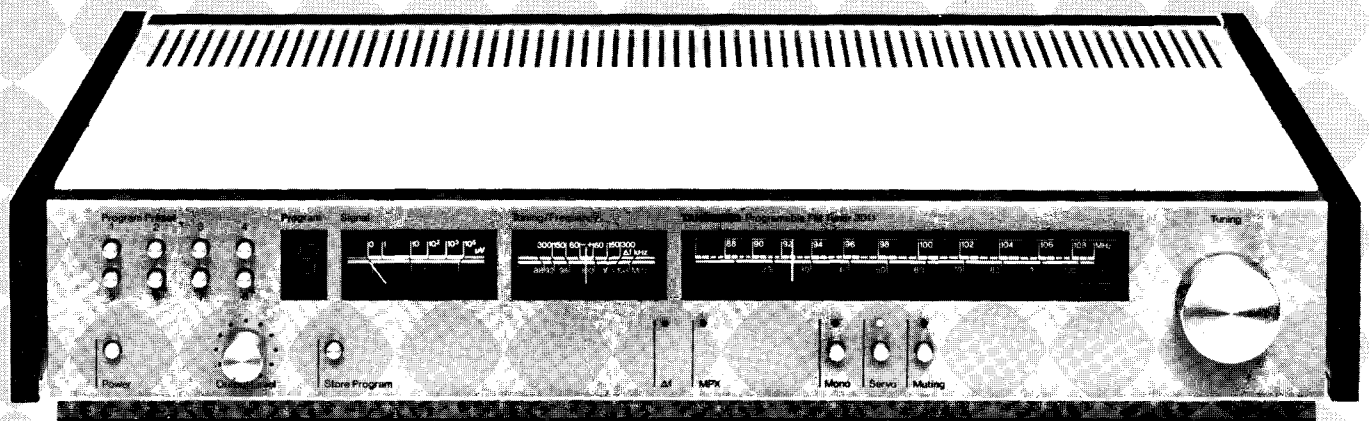
Kontakt nærmeste Tandberg-kontor eller:
Tandberg A/S
Sentral Delelager — Service
Postboks 53
N — 2007 KJELLER — Norge
Telefon: (02) 71 68 20
Telex: 18007 kurer n

Ordering of spare parts

For all enquiries, please state the set's type and serial number.
When ordering, give the part's order number and description.

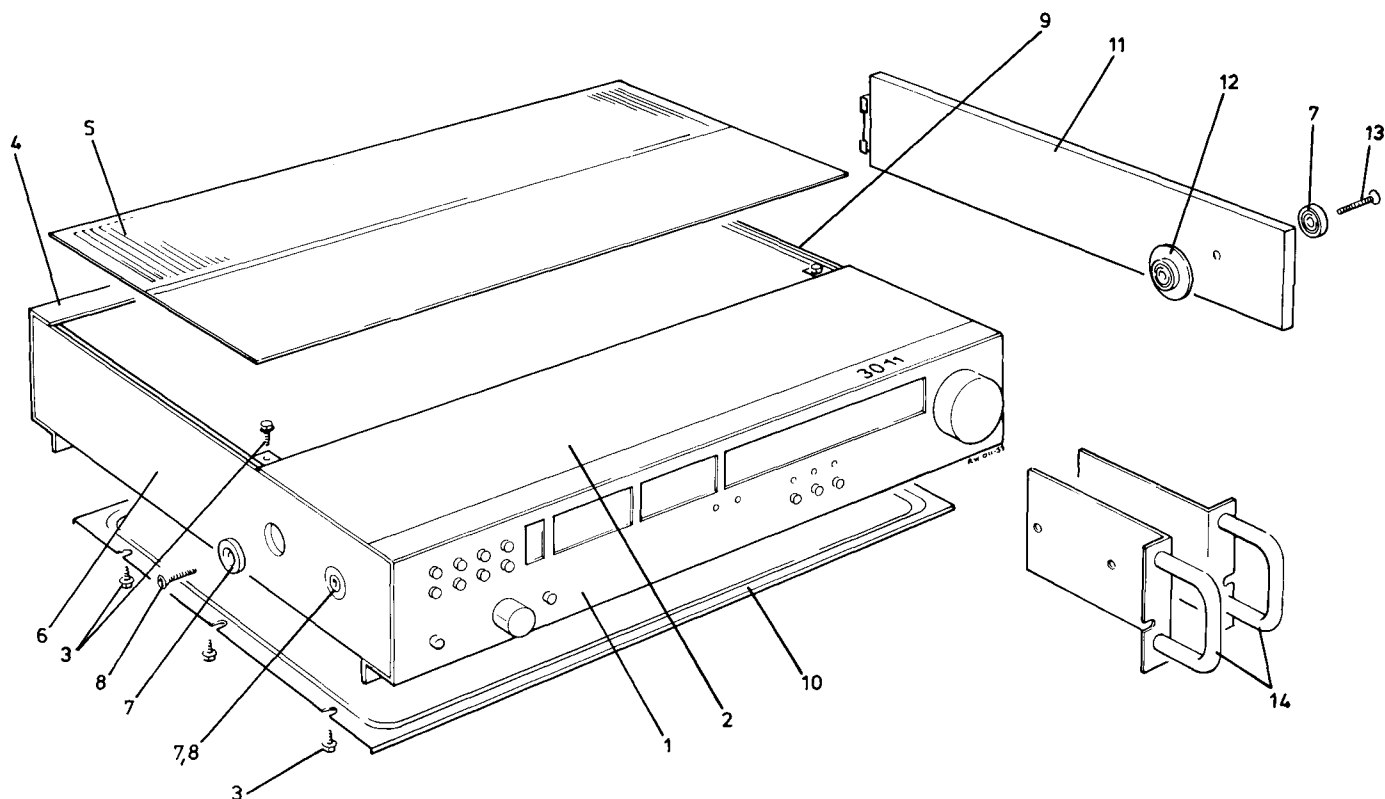
Address

Contact your nearest Tandberg office or:
Tandberg A/S
Spares Department
P.O. Box 53
N — 2007 KJELLER — Norway
Telephone: (2) 71 68 20
Telex: 18007 kurer n



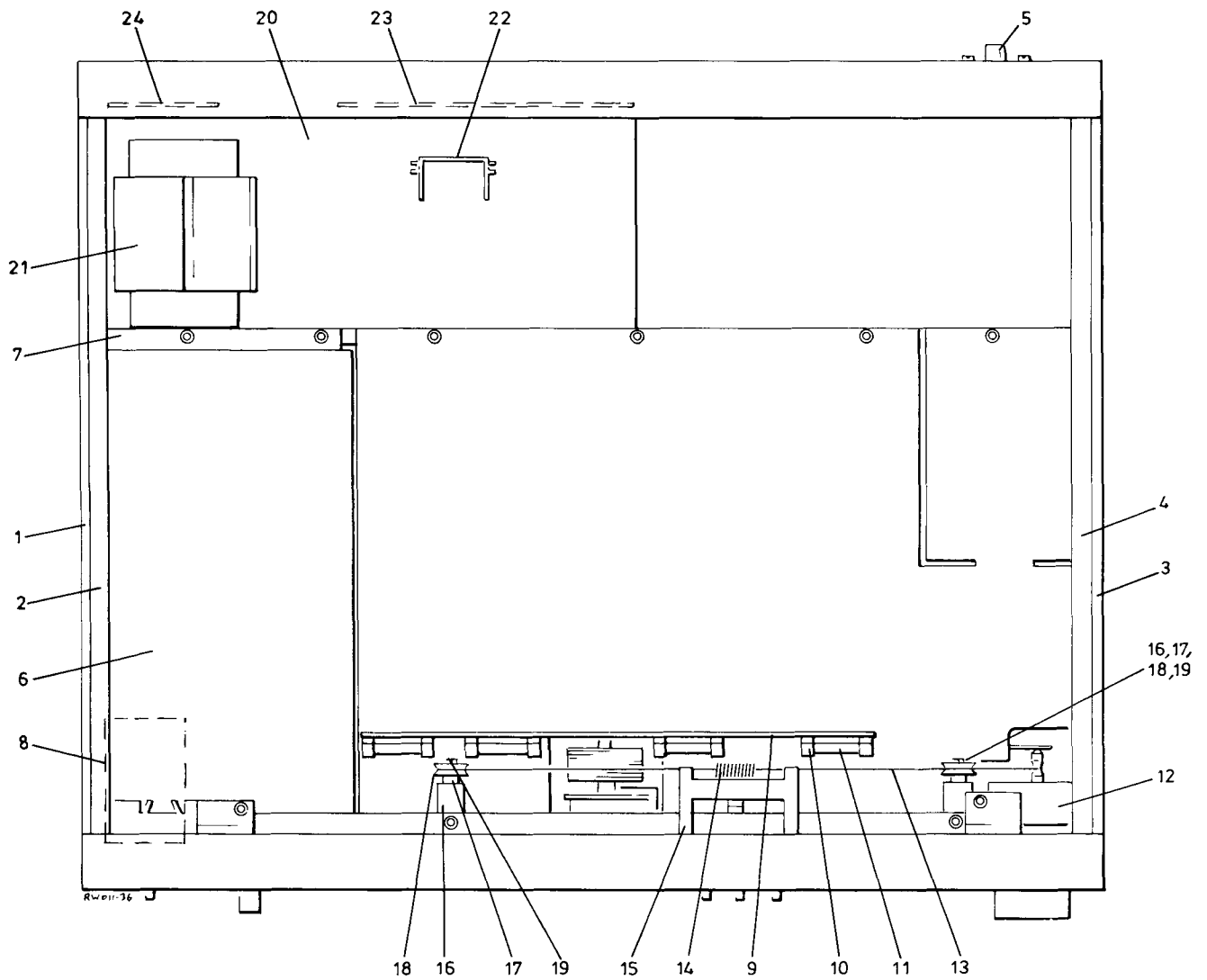
TANDBERG® — The European Alternative

Cabinet assembly



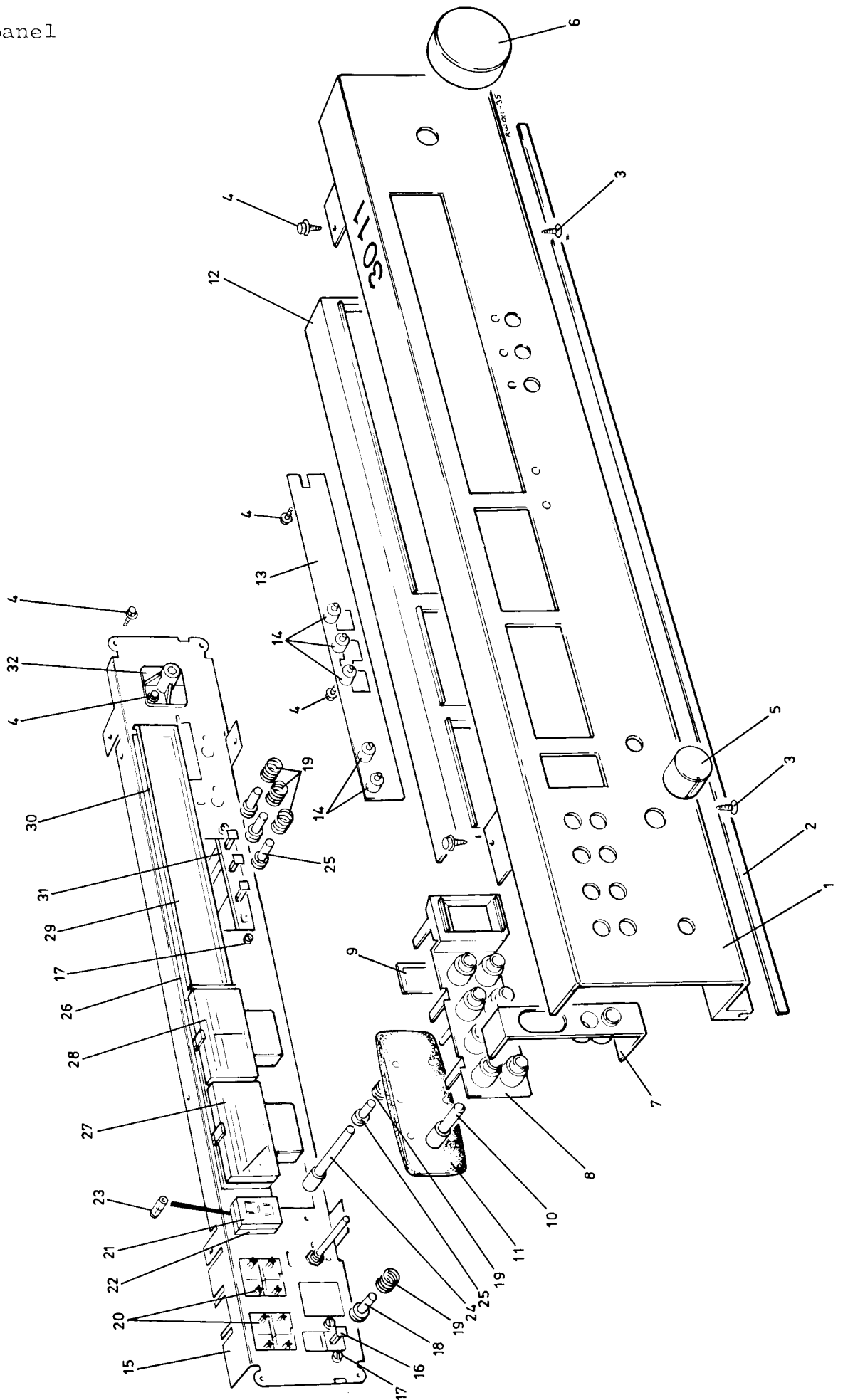
SPECIFY THIS WHEN ORDERING				
Index	Ordering No.	Beskrivelse (merknader)	Description (notes)	Reference
1	405897	Kabinett-enhet	Cabinet assembly	
2	996913	Skinne	Plate, front	
3	346854	Platte	Plate, top-front	
4	402183	Skruer	Screw, M3.5 x 6.3 hex hd, with collar	
5	402183	Skinne	Panel, back	
6	996914	Platte	Plate, top	
7	375969	Skinne	Plate, side, left	
8	400602	Hylse	Spacer, black plastic	
9	401105	Skruer	Screw, M4 x 16 csk hd, black	
10	406816	Skinne	Plate, side, right	
11	375258	Platte	Plate, bottom	
12	996468	Platte, sort, par (lev. m/index 12,13)	Extra side panels, pair (supplied with index 12 and 13)	
13	*	Avstandsstykke	Spacer, black plastic	
14	*	Skruer	Screw, M4 x 25 csk hd, black	
14	996467	Håndtak, par	Extra 19" rack mount kit	

Chassis assembly - top view



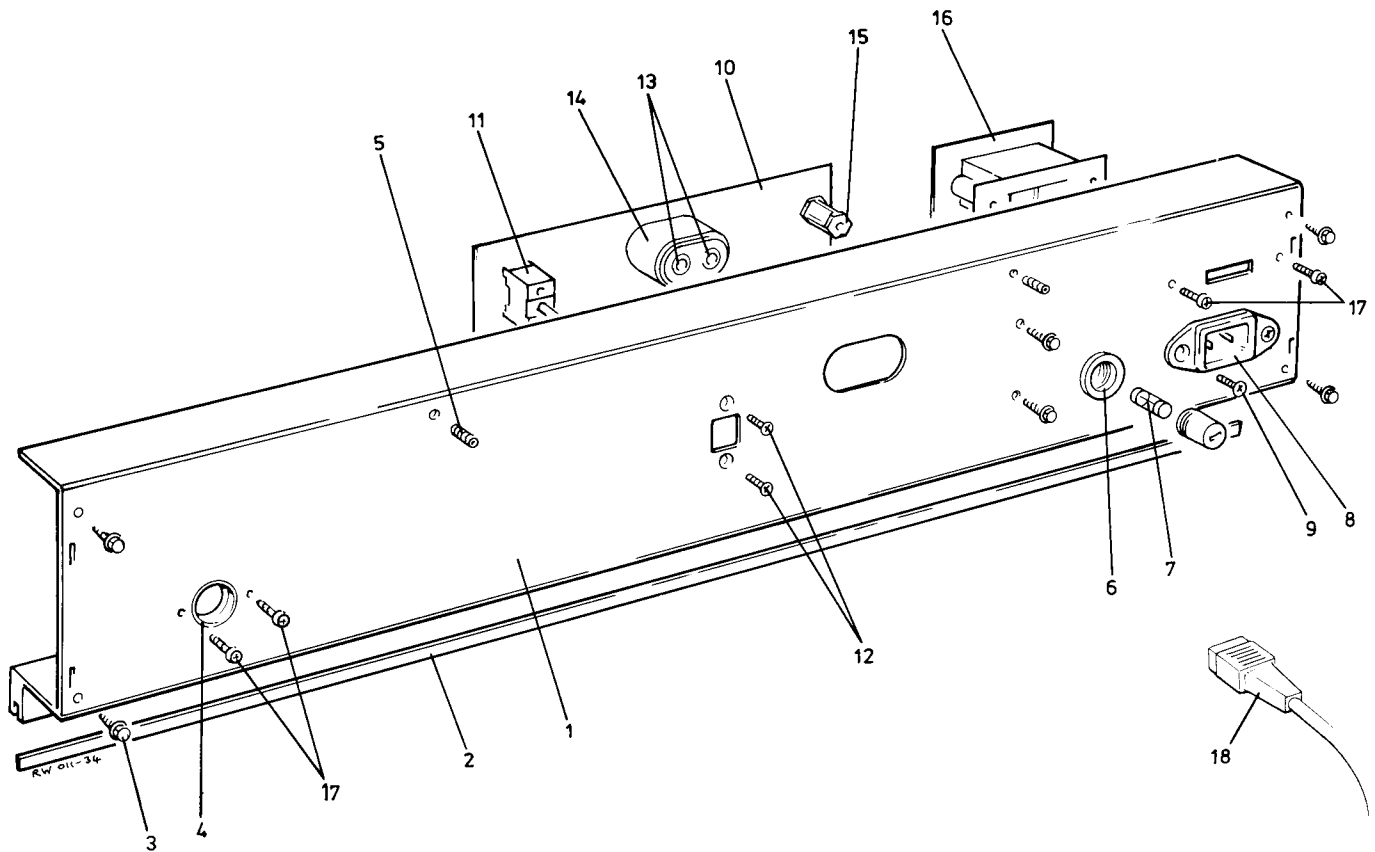
SPECIFY THIS WHEN ORDERING				
Index	Ordering No.	Beskrivelse (merknader)	Description (notes)	Reference
	*	Sjassis-enhet	Chassis, assembly, top view	
1	375969	Skinne	Plate, side, left	
2	378785	Skinne	Plate, chassis, side, left	
3	406810	Skinne	Plate, side, right	
4	375071	Skinne	Plate, chassis, side, right	
5	376695	Kontakt	Socket, antenna	
6	996928	Kort	Board, tuning system 1	
7	996929	Kort	Board, tuning system 2	
8	996940	Kort	Board, power switch	
9	996930	Kort	Board, dial light	
10	277509	Holder	Holder, fuse	
11	378764	Lampe	Bulb, 6.3 V 300 mA	
12	378972A	Drev	Flywheel	
13	272121	Snor	Cord	
14	204112	Fjær	Spring	
15	996942	Viser	Cursor	
16	377586A	Brakett	Bracket, pulley	
17	307868	Hylse	Bush	
18	287501	Trinse	Pulley, plastic	
19	354468	Skrue	Screw, M2.9 x 16 hex hd, with collar	
20	997001	Kort	Board, power supply	
21	378376	Transformator	Transformer	
22	377011	Kjøleribbe	Heatsink	
23	997002	Kort	Board, connector	
24	996941	Kort	Board, voltage selector	

Front panel



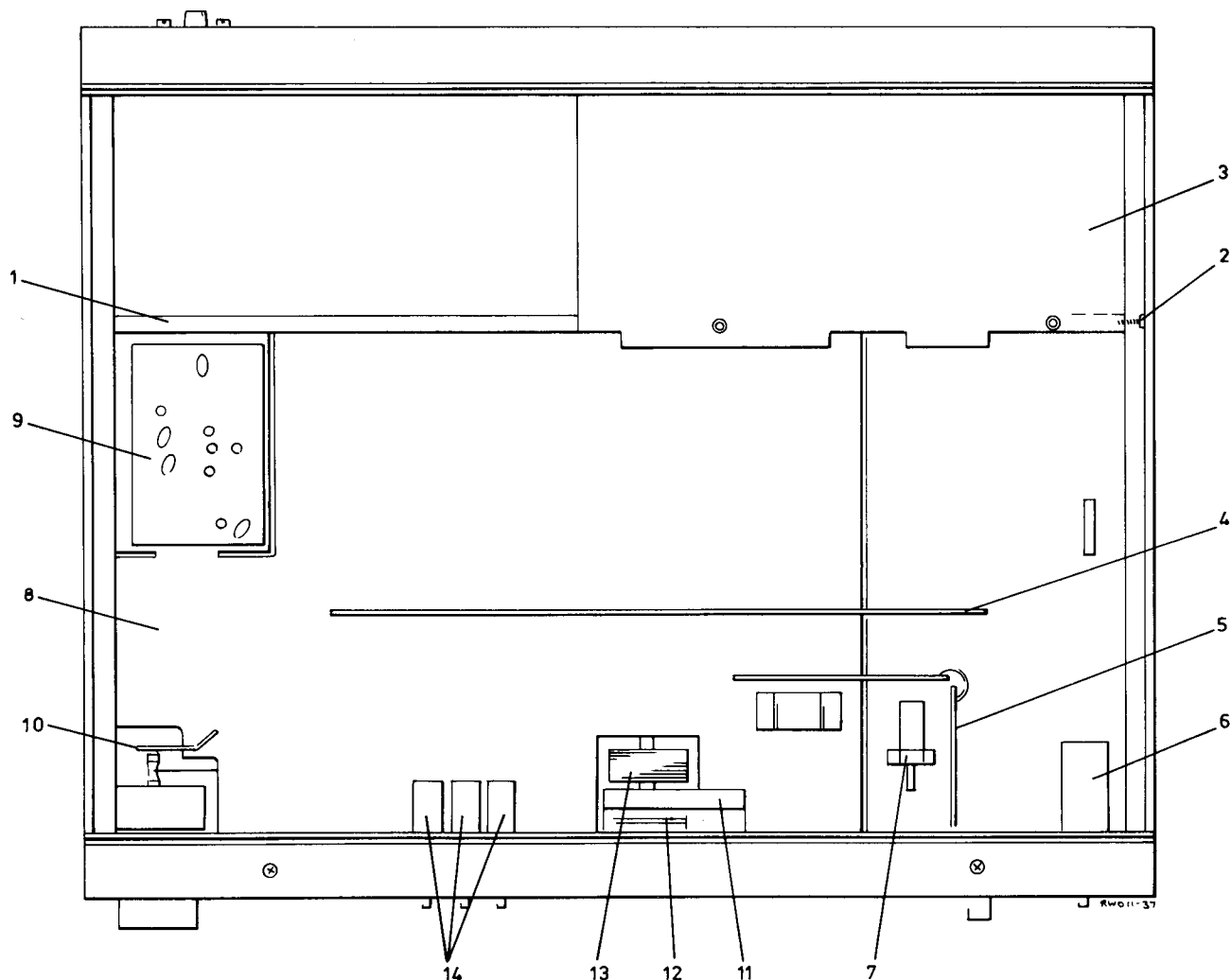
SPECIFY THIS WHEN ORDERING				
Index	Ordering No.	Beskrivelse (mærknader)	Description (notes)	Reference
	*	Frontskinne	Front panel	
1	405897	Skinne	Panel, front	
2	379030B	List	Strip, rubber	
3	307990	Skrue	Screw, 3/8" No.6 csk hd	
4	346854	Skrue	Screw, M3.5 x 6.3 hex hd, with collar	
5	379331	Knapp	Knob	OUTPUT LEVEL
6	378354	Knapp	Knob	TUNING
7	376048A	Hylse	Guide, push button knob	
8	377729	Holder	Holder, preset button	
9	376400	Vindu	Window, display, red	
10	377025	Knapp	Knob, push button	PROGRAM PRESET
11	403196	Skumgummi	Mat, foam rubber	
12	379410	Ramme	Surround, dial and meter, black plastic	
13	997003	Kort	Board, LED	
14	374425	Diode	Diode, SLP-132B, light emitting	
15	379949	Sjassi	Plate, chassis	
16	996940	Kort	Board, power switch	
17	290842	Skrue	Screw, M3 x 6 pan hd	
18	376896A	Knapp	Knob, push button	POWER
19	408023	Fjær	Spring	
20	374073	Vender	Switch, push	PROGRAM PRESET
21	342717	Diode	Diode, light emitting, 7 segment	PROGRAM
22	310505	Holder	Socket, 14 pin DIL	
23	375403	Hylse	Sleeve, plastic	
24	377874	Arm	Spindle, extension	
25	378706A	Knapp	Knob, push button	STORE PROGRAM, MONO, SERVO, MUTING
26	375696	Kasse	Holder, dial and meter	
27	372119	Instrument	Meter	SIGNAL
28	373800	Instrument	Meter	TUNING/FREQUENCY
29	379633A	Plate	Plate, dial	
30	379583	Vindu	Window, dial	
31	405423	Vender	Switch, push	MONO, SERVO, MUTING
32	378081A	Lager	Bush, flanged	

Back panel



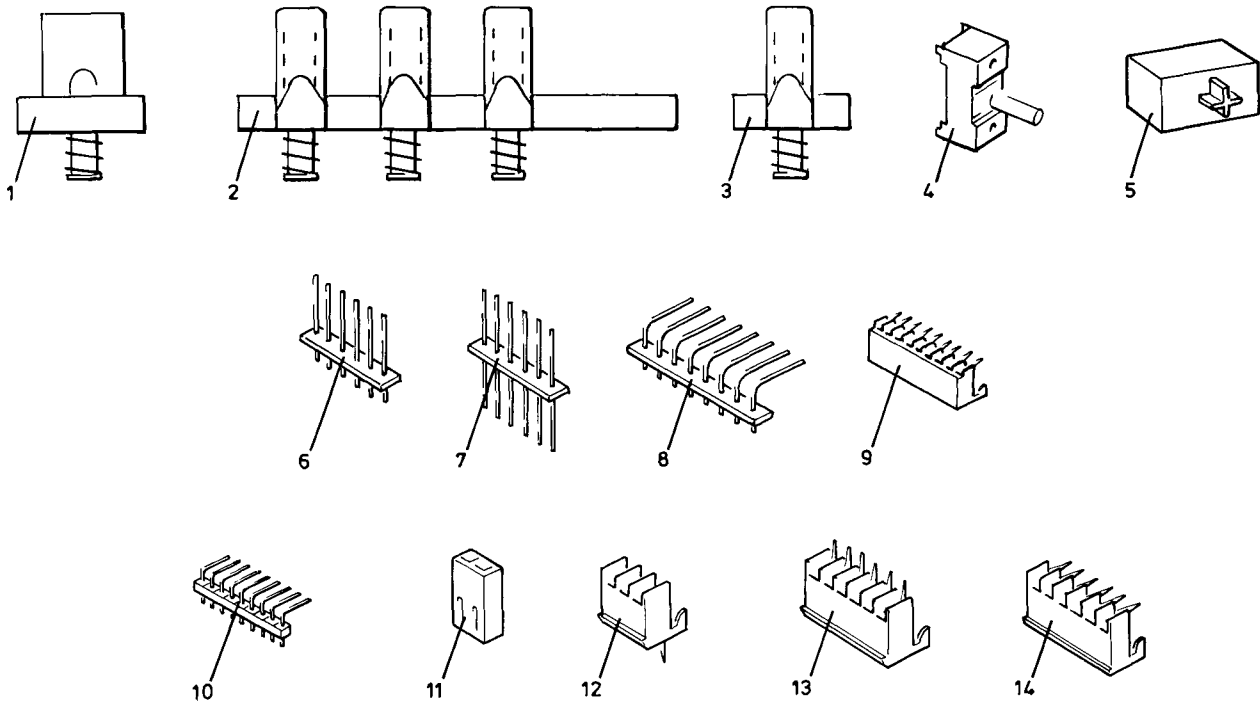
SPECIFY THIS WHEN ORDERING				
Index	Ordering No.	Beskrivelse (merknader)	Description (notes)	Reference
	*	Bakskinne	Back panel	
1	402183	Skinne	Panel, back	
2	379030B	List	Strip, rubber	
3	360755	Skrue	Screw, M3.5 x 7.9 hex hd, with collar	
4	376616	Hylse	Surround, antenna socket, plastic	
5	400753	Skrue	Screw, set, M4 x 18	
6	363909	Holder	Holder, fuse, No.19629/FEI 031.1431	
7	375560	Sikring	Fuse, 200 mA, 5 x 20 mm, slow	Europe
	274240	Sikring	Fuse, 400 mA, 5 x 20 mm, slow	U.S.A.
8	374081	Kontakt	Socket, power, 2 pole	
9	262876	Skrue	Screw, 1/4" No.4 csk hd, black	
10	997002	Kort	Board, connector	
11	370790	Vender	Switch, toggle	DE-EMPHASIS
12	324850	Skrue	Screw, 1/4" No.4 pan hd, black	
13	371142	Kontakt	Socket, phono, silver, SQ-3061	VARIABLE OUTPUT
14	379001	Hylse	Surround, phono socket, double	
15	377528	Avstandsstykke	Spacer, TCBS-8N	
16	996941	Kort	Board, voltage selector	
17	322817	Skrue	Screw, 5/16" No.4 pan hd, black	
18	379906	Ledn. nett, EU	Cable, mains, Europe	
	376192	Ledn. nett, GB	Cable, mains, GB	
	377873	Ledn. nett, USA	Cable, mains, USA	

Chassis assembly - underside view



SPECIFY THIS WHEN ORDERING		Beskrivelse (mærknader)	Description (notes)	Reference
Index	Ordering No.			
	*	Sjassis-enhet	Chassis assembly, underside view	
1	377650	Skinne	Rail, chassis	
2	346854	Skruer	Screw, M3.5 x 6.3 hex hd, with collar	
3	997001	Kort	Board, power supply	
4	996932	Kort	Board, interconnection	
5	996931	Kort	Board, output	
6	996940	Kort	Board, power switch	
7	378412	Vender	Switch, push	STORE PROGRAM
8	997000	Kort	Board, main	
9	995848	Tuner	Tuner, FM, No.4	
10	379555	Fjær	Spring, flat	
11	402226	Brakett	Bracket, tuning potentiometer	
12	375050	Potensiometer	Potentiometer, 100 kohm	R1
13	405940	Hjul	Wheel, cord drive, plastic	
14	405423	Vender	Switch, push	MONO, SERVO, MUTING

Switches and connectors



SPECIFY THIS WHEN ORDERING				
Index	Ordering No.	Beskrivelse (mærknader)	Description (notes)	Reference
	*	Vendere	Switches	
1	370992	Vender	Switch, push	POWER
2	405423	Vender	Switch, push	MONO, SERVO, MUTING
3	378412	Vender	Switch, push	STORE PROGRAM
4	370790	Vender	Switch, toggle	DE-EMPHASIS
5	374073	Vender	Switch, push	PROGRAM PRESET
	*	Kontakter	Connectors	
6	375402	Plint	Connector, fixed, 2 pole	Molex 3192A
	376408	Plint	Connector, fixed, 4 pole	Molex 3192A
	379992	Plint	Connector, fixed, 6 pole	Molex 3192A
	378311	Plint	Connector, fixed, 8 pole	Molex 3192A
	378089	Plint	Connector, fixed, 10 pole	Molex 3192A
7	376056	Plint	Connector, fixed, 4 pole	Molex
	377737	Plint	Connector, fixed, 6 pole	Molex
	379418	Plint	Connector, fixed, 10 pole	Molex
8	402492	Plint	Connector, fixed, 4 pole, horizontal	Molex 2373 tin plated
	376630	Plint	Connector, fixed, 6 pole, horizontal	Molex 2373 tin plated
9	378441	Kontakt	Connector, fixed, 9 pole	Molex 5124B
10	375704	Plint	Connector, fixed, 9 pole, horizontal	Molex 3094
11	379640	Hus	Housing, terminal, 2 pole	Molex 3069
12	376551	Kontakt	Connector, fixed, 4 pole	Molex 3215B
	374828	Kontakt	Connector, fixed, 6 pole	Molex 3215B
	350461	Kontakt	Connector, fixed, 10 pole	Molex 3215B
13	379913	Kontakt	Connector, fixed, 6 pole	Molex 3215C
	378232	Kontakt	Connector, fixed, 8 pole	Molex 3215C
14	379367	Kontakt	Connector, fixed, 4 pole	Molex 3215A
	377607	Kontakt	Connector, fixed, 6 pole	Molex 3215A
	375079	Kontakt	Connector, fixed, 10 pole	Molex 3215A

Tandberg A/S, Post Office Box 53, 2007 Kjeller, Norway