

TANDBERG®

TCD 3004

Illustrated Parts List

Bestilling av deler

Ved alle henvendelser, vennligst oppgi apparatets type og serienummer.
Ved bestilling av deler, oppgi bestillingsnummer og beskrivelse.

Bestillingsadresse

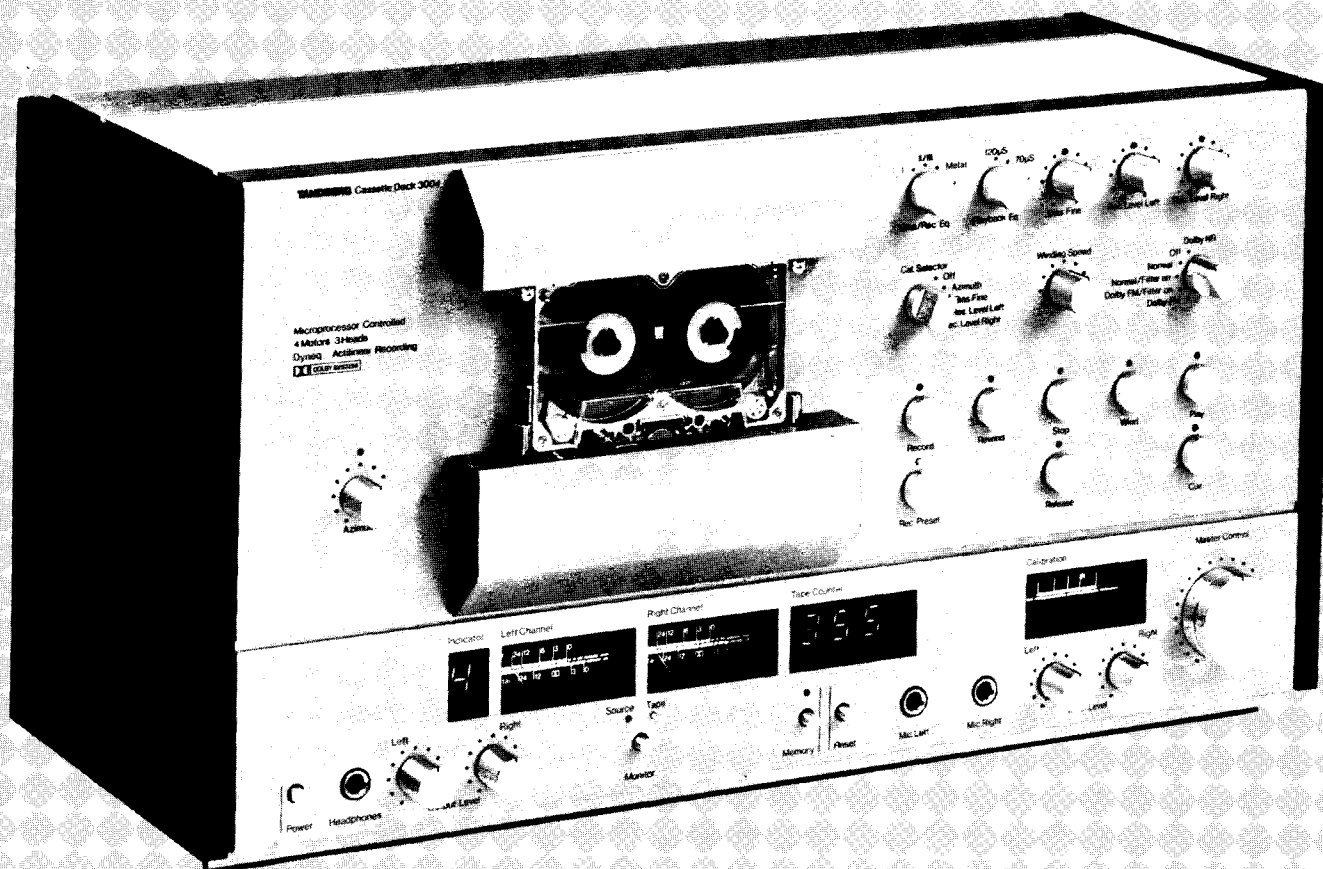
Kontakt nærmeste Tandberg-kontor eller:
Tandberg A/S
Sentral Delelager – Service
Postboks 53
N – 2007 KJELLER – Norge
Telefon: (02) 71 68 20
Telex: 18007 kurer n

Ordering of spare parts

For all enquiries, please state the set's type and serial number.
When ordering, give the part's order number and description.

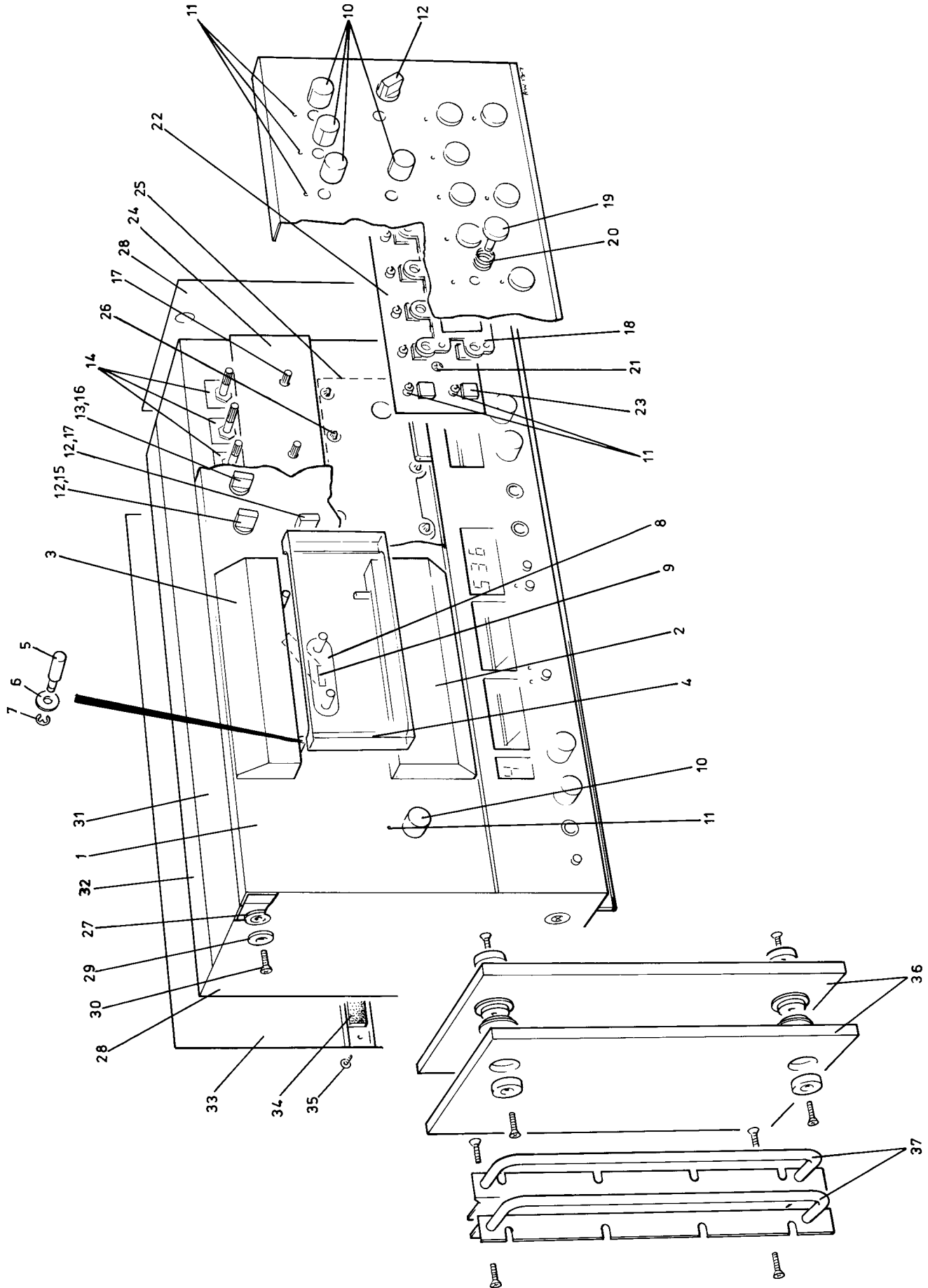
Address

Contact your nearest Tandberg office or:
Tandberg A/S
Spares Department
P.O. Box 53
N – 2007 KJELLER – Norway
Telephone: (2) 71 68 20
Telex: 18007 kurer n



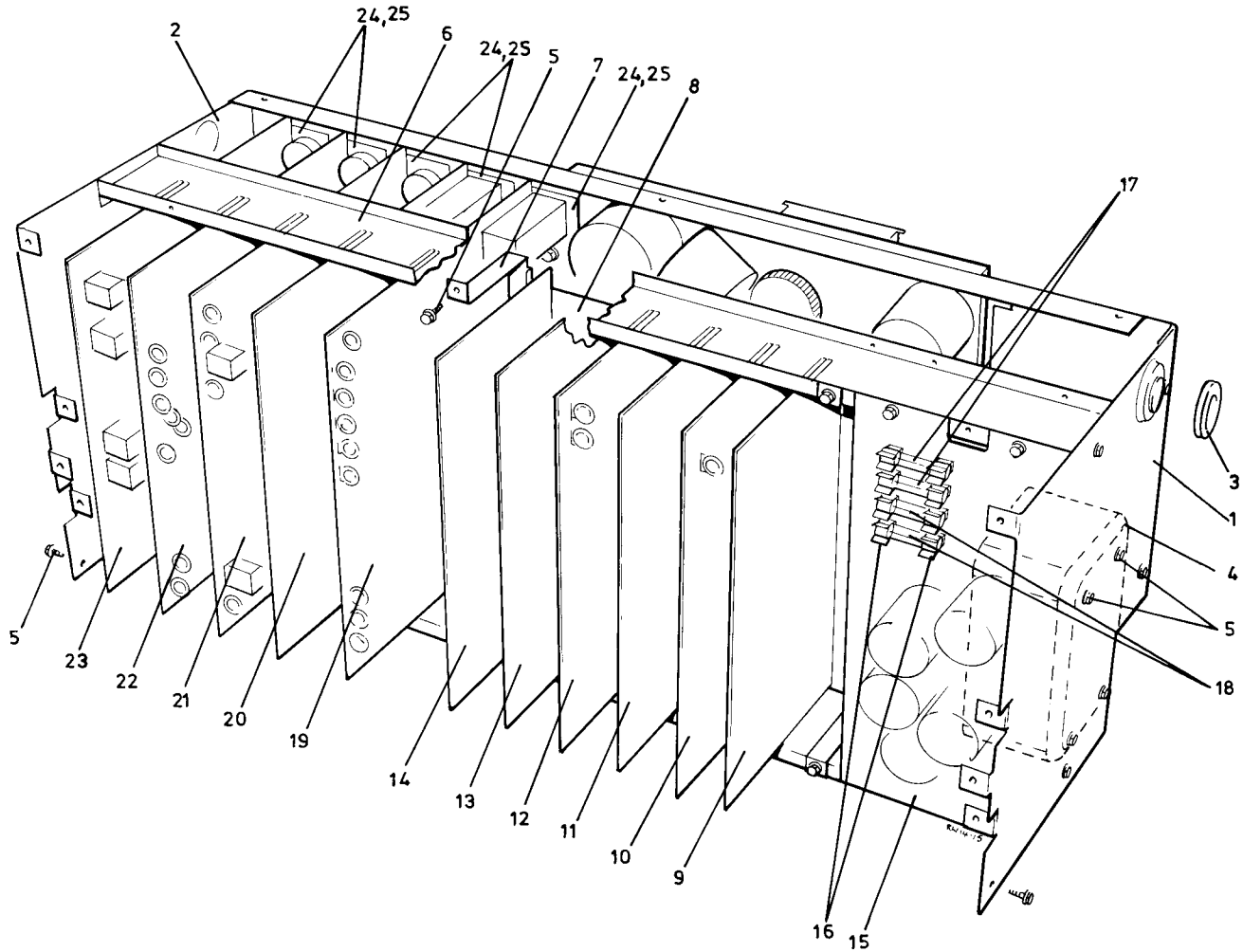
TANDBERG® — The European Alternative

Chassis assembly - front view



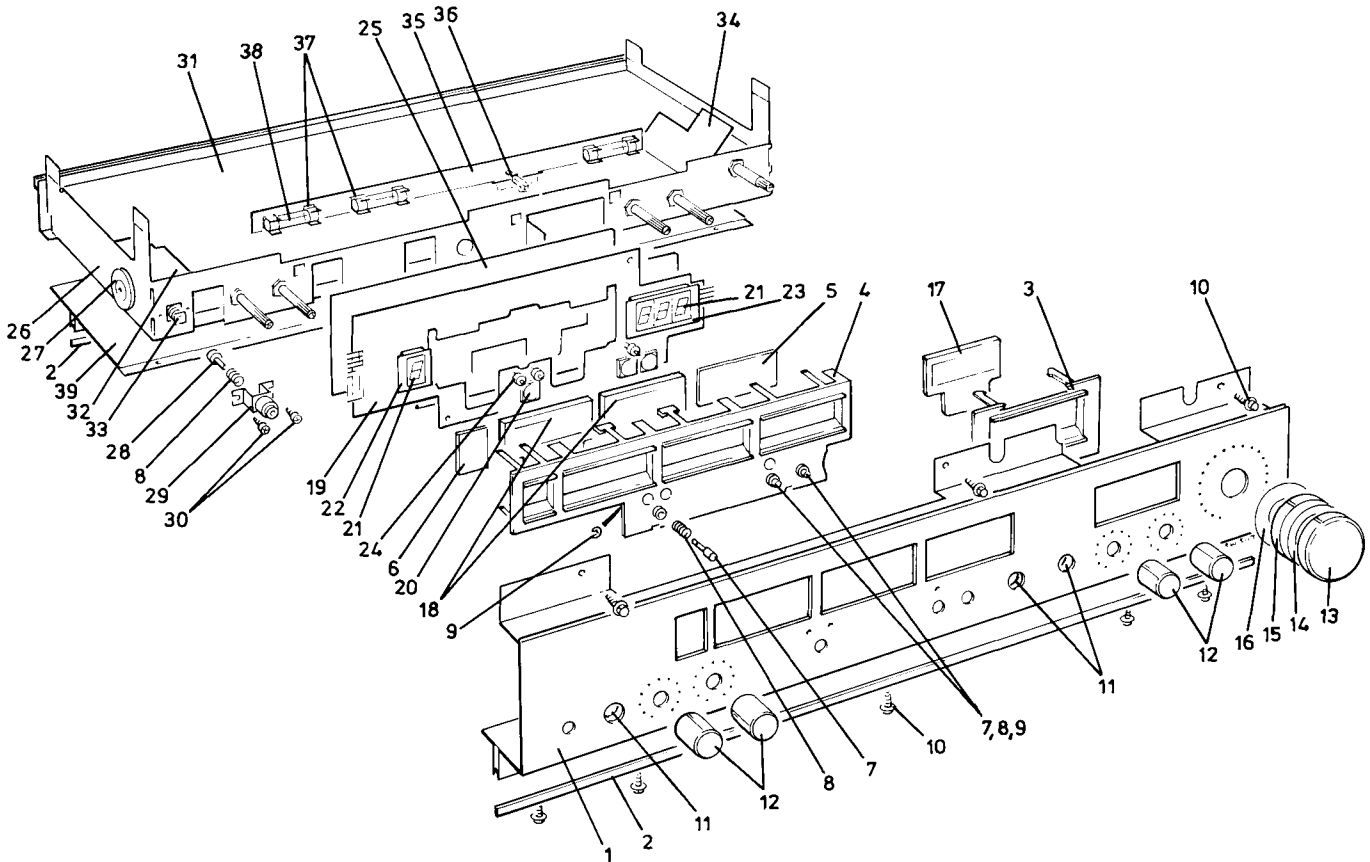
SPECIFY THIS WHEN ORDERING				
Index	Ordering No.	Beskrivelse (mærknader)	Description (notes)	Reference
	*	Sjassis-enhet	Chassis assembly - front view	
1	375898	Skinne	Panel, front, upper	
2	996979	Deksel	Cover, head	
3	996980	Deksel	Cover, upper, cassette unit	
4	375180	Deksel	Deksel, cassette, clear plastic	
5	376954	Pinne	Pin, guide	
6	318371	Skive	Washer, 12 x 5.1 x 0.2 mm	
7	245649	Skive	Clip, M4	
8	379964	Deksel	Cover, light-guide	
9	371531	Plate	Guide, light, clear plastic	
10	405114	Knapp	Knob	AZIMUTH, BIAS FINE, REC LEVEL L, REC LEVEL R, WINDING SPEED
11	374425	Diode	Diode, light-emitting, SLP-132BG	
12	408828	Knapp	Knob	CAL. SELECTOR, DOLBY NR, BIAS/REC EQ PLAYBACK EQ
13	375617	Knapp	Knob	BIAS/REC EQ PLAYBACK EQ
14	377227	Brakett	Bracket, PCB mounting	
15	407987	Vender	Switch, rotary	
16	406306	Vender	Switch, rotary	
17	408964	Vender	Switch, rotary	
18	377931	Ramme	Guide, black plastic	CAL. SELECTOR, DOLBY NR
19	378204	Knapp	Button, push	RECORD, REWIND, STOP, WIND, PLAY, REC PRESET, RELEASE, CUE
20	408023	Fjær	Spring	
21	239651	Skive	Circlip, M3.2	
22	996946	Kort (lev. m/index 23)	Board, control (supplied with index 23)	A20
23	409747	Bryter	Switch, touch	
24	996947	Kort	Board, connection	A19
25	996956	Kort	Board, audio connection	A13
26	375445	Holder	Spacer, PCB stand-off	up to serial no. 364
	409489	Holder	Spacer, PCB stand-off	after serial no. 364
27	407923	Avstandstykke	Spacer, black plastic	
28	378283	Skinne	Plate, chassis side	
29	402528	Skive	Washer, black plastic	
30	406594	Skrue	Screw, M4 x 8 csk hd	
31	378556A	Skinne	Plate, top front	
32	376523	Skinne	Plate, top back	
33	996981	Plate (lev. m/index 34)	Cover, back, black (supplied with index 34)	
34	352658	List	Strip, 0.4 x 1.2 x 39 cm, rubber	
35	346854	Skrue	Screw, M3.5 x 6.3 hex hd, with collar	
36	996466	Sideplater (komplett)	Side panel kit (includes screws and spacers)	
37	996465	Håndtak (m/skruer)	Rack mount kit (includes screws)	

Chassis assembly - top rear view



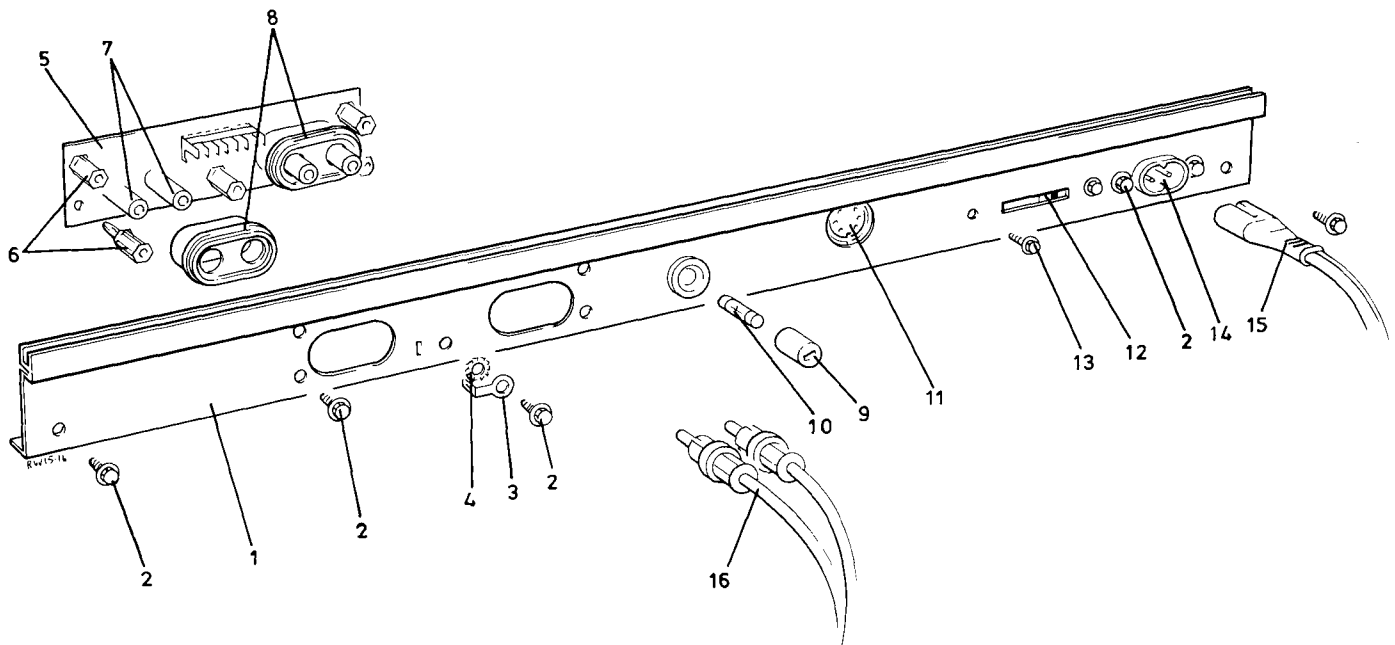
SPECIFY THIS WHEN ORDERING				
Index	Ordering No.	Beskrivelse (merknader)	Description (notes)	Reference
	*	Sjassis-enhet	Chassis assembly - top rear view	
1	407219	Plate	Plate, chassis side	
2	405186	Plate	Plate, chassis front	
3	407923	Avstandstykke	Spacer, black plastic	
4	401845	Transformator	Transformer	
5	346854	Skruer	Screw, M3.5 x 6.3 hex hd, with collar	
6	376875A	Skinne	Plate, PCB guide	
7	378908	Brakett	Bracket, mounting, logic connection board	
8	996955	Kort	Board, logic connection	A14
9	996958	Kort	Board, interface	A11
10	996959	Kort	Board, processor	A10
11	996960	Kort	Board, spool servo	A9
12	996961	Kort	Board, position servo	A8
13	996962	Kort	Board, erase oscillator	A7
14	996963	Kort	Board, ALRA3	A6
15	996957	Kort	Board, power supply	A12
16	277509	Holder	Holder, fuse	
17	272287	Sikring	Fuse, 1 A, 5 x 20 mm, slow	F1903, F1904
18	265736	Sikring	Fuse, 2 A, 5 x 20 mm, slow	F1901, F1902
19	996964	Kort	Board, calibrating oscillator	A5
20	996965	Kort	Board, playback	A4
21	996966	Kort	Board, DOLBY decoder	A3
22	996967	Kort	Board, record EQ amp.	A2
23	996968	Kort	Board, DOLBY encoder	A1
24	377227	Brakett	Bracket, PCB mounting	
25	354820	Skruer	Screw, M2.9 x 6.3 hex hd, with collar	

Chassis assembly - lower front panel



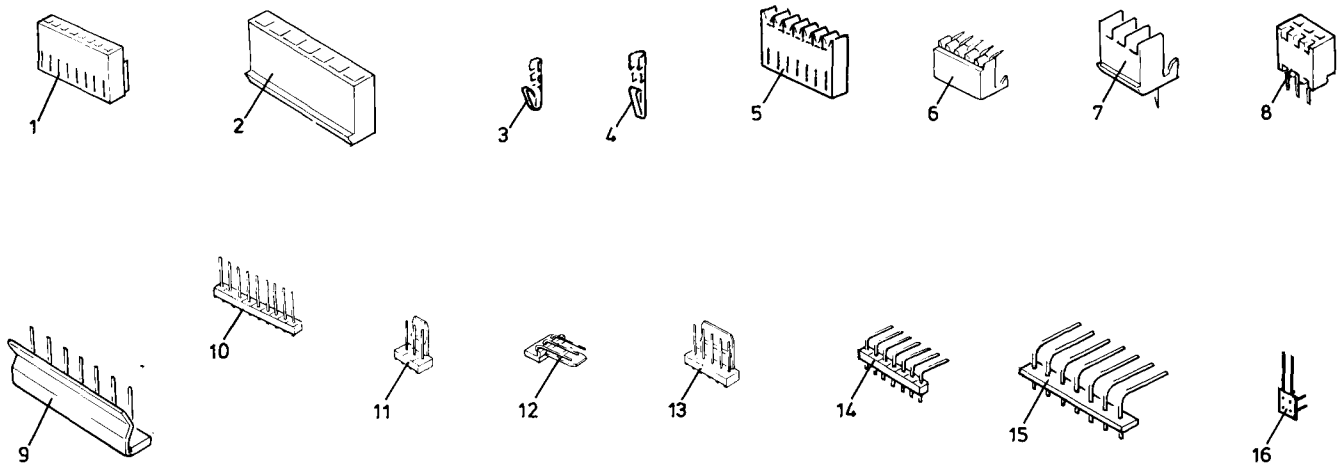
SPECIFY THIS WHEN ORDERING				
Index	Ordering No.	Beskrivelse (merknader)	Description (notes)	Reference
1	* 996983	Sjassis-enhet Frontskinne (lev. m/index 2-4)	Chassis assembly, lower front panel Panel, front, lower (supplied with index 2 to 4)	
2	379030B	List	Strip, rubber	
3	379885A	Holder	Holder, meter, black plastic	
4	375819	Holder	Holder, black plastic	
5	377852	Vindu	Window, red plastic	TAPE COUNTER
6	379181	Vindu	Window, red plastic	INDICATOR
7	378010	Knapp	Button, push	MONITOR, MEMORY, RESET
8	408023	Fjær	Spring	
9	230542	Skive	Circlip, M2.3	
10	346854	Skrue	Screw, M3.5 x 6.3 hex hd, with collar	
11	406069	Jack	Socket, jack, 3 pole, 1/4"	HEADPHONES, MIC L, MIC R
12	379331	Knapp	Knob	OUTPUT LEVEL, INPUT LEVEL
13	375467	Knapp	Knob	MASTER CONTROL
14	404482	Skive	Washer, plastic	
15	377148	Knapp	Knob	MASTER CONTROL preset
16	400768	Skive	Washer, plastic	
17	408770	Instrument	Meter, calibration	
18	401457	Instrument	Meter	
19	996949	Kort (lev.m/index 20+21)	Board, display (supplied with index 20 and 21)	A21
20	409747	Bryter	Switch, touch	
21	342717	Diode	Diode, light-emitting, 7 segment	
22	377500	Ramme	Surround, LED, black plastic	
23	379533	Ramme	Surround, 3 x LED, black plastic	
24	374425	Diode	Diode, light-emitting, SLP-132BG	
25	408318	Plate	Card, isolation	
26	401472	Ramme	Frame, chassis, lower	
27	407923	Avstandstykke	Spacer, black plastic	
28	376896A	Knapp	Button, push	POWER
29	375273	Holder	Holder, black plastic	
30	290842	Skrue	Screw, M3 x 6 pan hd	
31	996954	Kort	Board, main	A15
32	996948	Kort	Board, power switch	A18
33	370992	Bryter	Switch, push	POWER
34	997011	Kort (uten potmeter)	Board (not supplied with potentiometer)	
35	996953	Kort	Board, illumination	A16
36	352508	Lås	Peg	
37	277509	Holder	Holder	
38	354274	Lampe	Bulb, 6 V 3 W	
39	996982	Plate (lev. m/index 2)	Plate, bottom (supplied with index 2)	

Chassis assembly - lower back panel



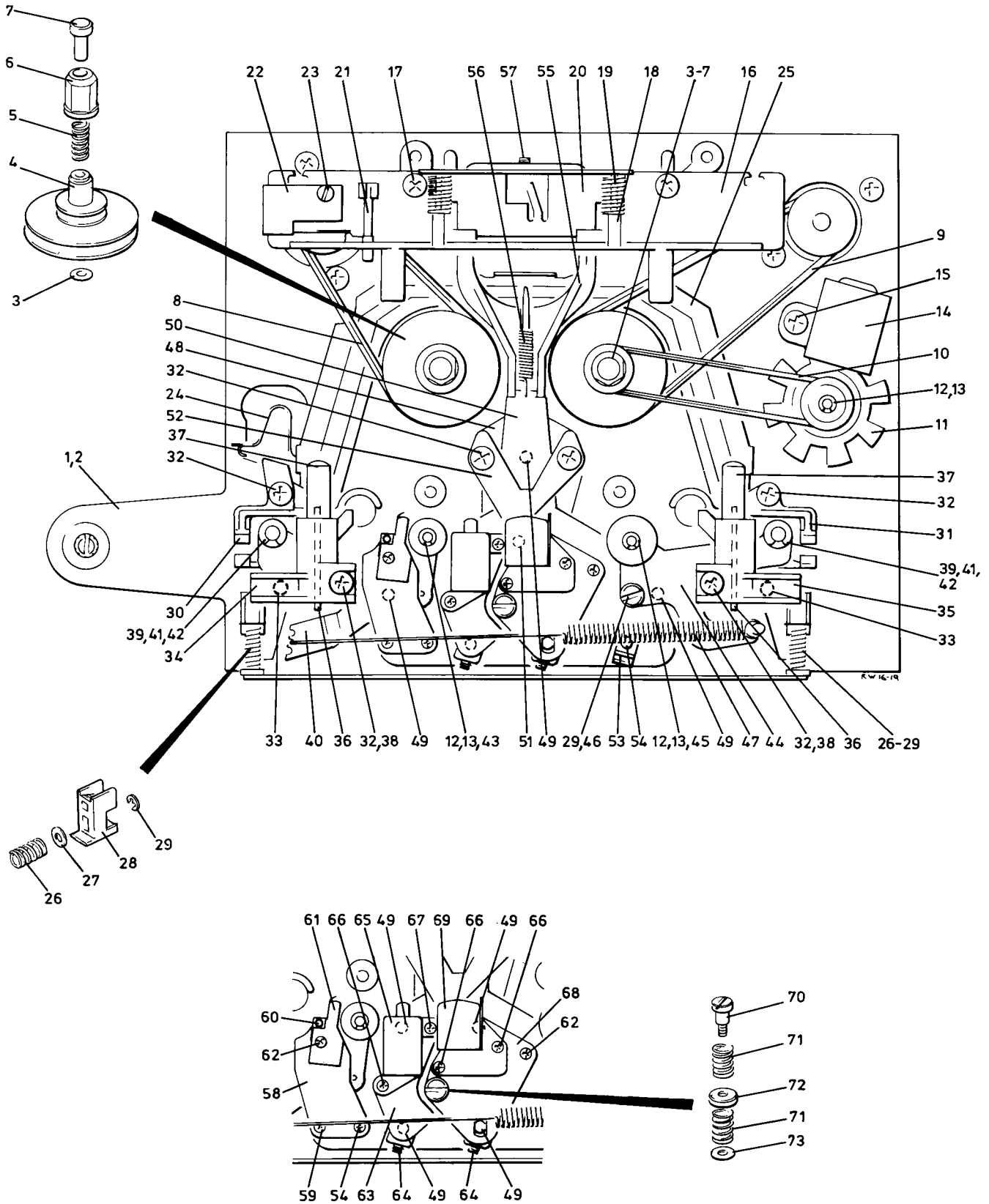
Index	SPECIFY THIS WHEN ORDERING		Description (notes)	Reference
	Ordering No.	Beskrivelse (merknader)		
	*	Sjassis-enhet	Chassis assembly, lower back panel	
1	377579	Skinne	Panel, back, lower	
2	346854	Skruer	Screw, M3.5 x 6.3 hex hd, with collar	
3	320131	Loddeøre	Washer, tag, M4.2	
4	202332	Fjærskive	Washer, M4.3	
5	996952	Kort	Board, phono	A17
6	377528	Holder	Spacer, PCB stand-off	
7	371142	Kontakt	Socket, phono	RECORD, PLAY
8	379001	Hylse	Surround, phono socket, double	
9	363909	Holder	Holder, fuse	
10	379952	Sikring	Fuse, 315 mA, 5 x 20 mm, slow	F1905, 230 V
	270526	Sikring	Fuse, 800 mA, 5 x 20 mm, slow	F1905, 115 V
11	404158	Kontakt	Socket, 7 pin DIN 180 degrees	REMOTE CONTROL
12	374152	Vender	Switch, voltage selector	
13	354820	Skruer	Screw, M2.9 x 6.3 hex hd, with collar	
14	361193	Kontakt	Socket, 2 pole	POWER
15	366078	Ledn.nett	Cable, power, 2 x 0.75 mm2	USA
	369792	Ledn.nett	Cable, power, 2 x 0.75 mm2	England
	367759	Ledn.nett	Cable, power, 2 x 0.75 mm2	Europe
16	351049	Ledn.app	Cable, phono	

Connectors



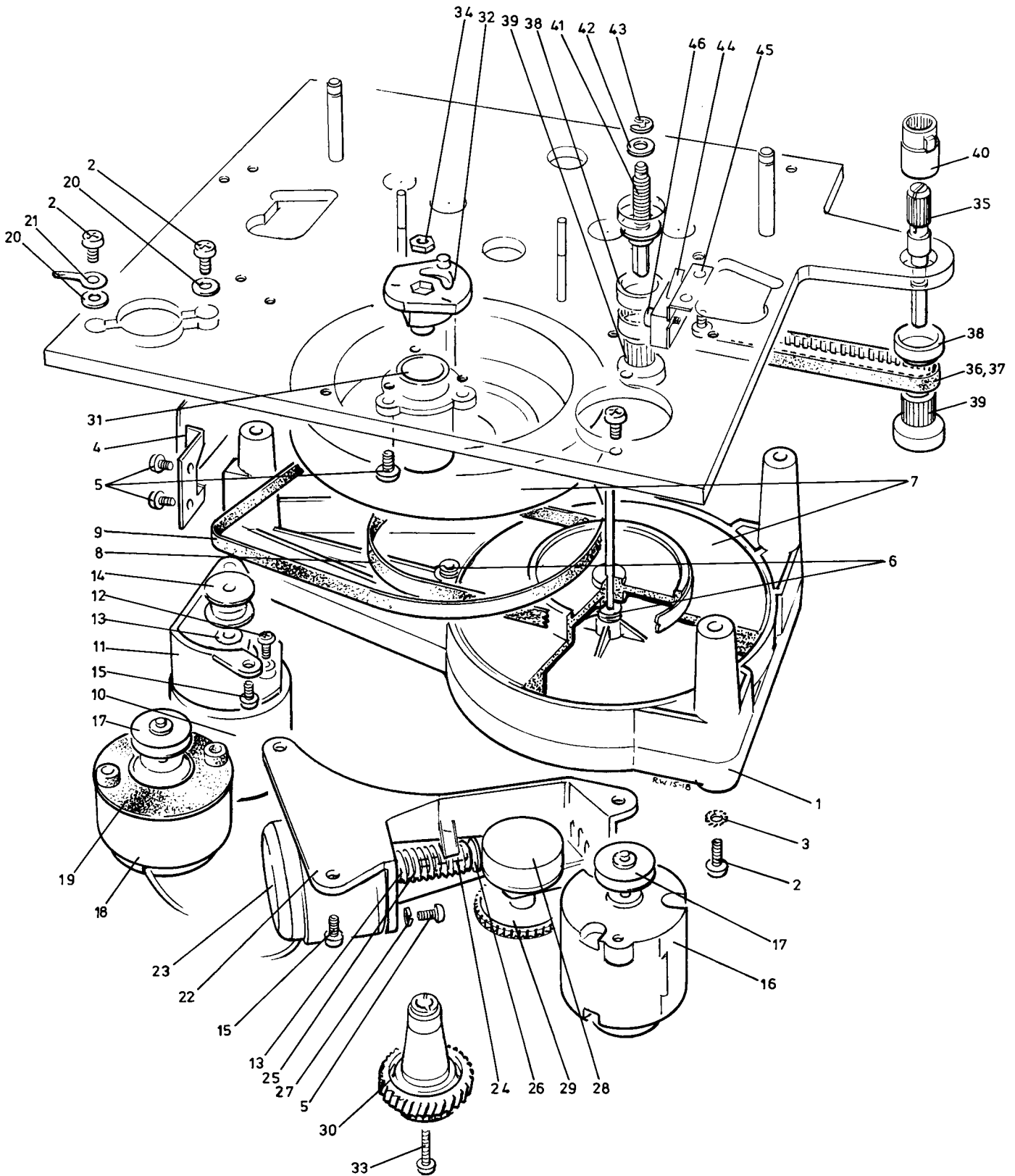
SPECIFY THIS WHEN ORDERING				
Index	Ordering No.	Beskrivelse (merknader)	Description (notes)	Reference
	*	Kontakter	Connectors	
1	338090	Hus	Housing, 2 pole	Molex 5051-02
	339900	Hus	Housing, 3 pole	5051-03
	336186	Hus	Housing, 4 pole	5051-04
	341122	Hus	Housing, 6 pole	5051-06
	408490	Hus	Housing, 8 pole	5051-08
2	407075	Hus	Housing, 2 pole	Molex 3069-02Z0
	345791	Hus	Housing, 3 pole	3069-02Z0
	343793	Hus	Housing, 6 pole	3069-06Z0
	403684	Hus	Housing, 7 pole	3069-07Z0
3	340712	Fjær	Terminal, crimp	Molex 4809T
4	317350	Fjær	Terminal, crimp	Molex 2578T
5	405717	Kontakt	Connector, 7 pole	Molex A7275-07
	402003	Kontakt	Connector, 8 pole	A7275-08
	409431	Kontakt	Connector, 10 pole	A7275-10
	407398	Kontakt	Connector, 11 pole	A7275-11
6	404000	Kontakt	Connector, 4 pole	Molex 3024-04A
	343536	Kontakt	Connector, 5 pole	3024-05A
	357744	Kontakt	Connector, 6 pole	3024-06A
	349346	Kontakt	Connector, 7 pole	3024-07A
	341503	Kontakt	Connector, 9 pole	3024-09A
	355000	Kontakt	Connector, 11 pole	3024-11A
7	377040	Kontakt	Connector, 3 pole	Molex 3215-03BH
	402671	Kontakt	Connector, 7 pole	3215-7BH
8	318320	Holder	Connector, 3 pole	Molex 4038-1
9	405566	Plint	Wafer, 2 pole	Molex 2391-02AM
	405681	Plint	Wafer, 5 pole	2391-05AM
	343089	Plint	Wafer, 6 pole	2391-06AM
	400286	Plint	Wafer, 7 pole	2391-07AM
10	318256	Plint	Wafer, 4 pole	Molex 3022-04A
	319937	Plint	Wafer, 5 pole	3022-05A
	317904	Plint	Wafer, 7 pole	3022-07A
	339197	Plint	Wafer, 9 pole	3022-09A
	404898	Plint	Wafer, 11 pole	3022-11A
11	339771	Plint	Wafer, 2 pole	Molex 5045-02A
	339548	Plint	Wafer, 3 pole	5045-03A
	335834	Plint	Wafer, 4 pole	5045-04A
12	339067	Plint	Wafer, 3 pole	Molex 5046-03
	340339	Plint	Wafer, 4 pole	5046-04
13	406464	Plint	Wafer, 4 pole	Molex 6410-04A
	402750	Plint	Wafer, 5 pole	6410-05A
	401184	Plint	Wafer, 7 pole	6410-07A
	406579	Plint	Wafer, 8 pole	6410-08A
	408612	Plint	Wafer, 10 pole	6410-10A
	402865	Plint	Wafer, 11 pole	6410-11A
14	403375	Plint	Wafer, 4 pole	Molex 4094-04A
	402319	Plint	Wafer, 5 pole	4094-05A
	406033	Plint	Wafer, 6 pole	4094-06A
	407089	Plint	Wafer, 7 pole	4094-07A
15	400990	Plint	Wafer, 3 pole	Molex 2373-03H
	401852	Plint	Wafer, 7 pole	A3246-07A
16	400660	Plint	Wafer	Stocko MGZ 1059-0

Mechanism assembly



Index	SPECIFY THIS WHEN ORDERING		Description (notes)	Reference
	Ordering No.	Beskrivelse (merknader)		
1	996988	Mekanism-enhet (komplett)	Mechanism assembly (complete)	
2	996985	Plate	Plate, mounting, with bearings	
3	371422	Skive	Washer, mylar	
4	996973	Hjul	Pulley, spool hub, black plastic	
5	372350	Fjær	Spring	
6	370669	Hus	Hub, spool, black plastic	
7	379252	Hylse	Cap, spool hub, black plastic	
8	370985	Rem	Belt, drive, rubber	Rewind
9	374699	Rem	Belt, drive, rubber	Wind
10	373018	Rem	Belt, drive, rubber	Sensor
11	372235A	Hjul	Wheel, aperture	
12	372587	Skive	Washer	
13	237970	Skive	Circlip, M1.5	
14	997012	Signalføler	Sensor, with wires and connectors	
15	290842	Skrue	Screw, M3 x 6 pan hd	
16	996978	Kassetanlegg (lev. m/index 18-23)	Bracket, cassette rear, black plastic (supplied with index 18 to 23)	
17	293852	Skrue	Screw, M3 x 16 pan hd	
18	370827	Vippe	Latch, black plastic	
19	370390	Fjær	Spring	
20	372508	Vinkel	Bracket, angle	
21	370748	Tapp	Arm, erase protect sensing	
22	363765	Bryter	Switch, micro	
23	241633	Skrue	Screw, 3/8" No.2 pan hd	
24	370281	Fjær	Spring	
25	996976	Plate	Plate, pressure roller	
26	265340	Fjær	Spring	
27	322020	Skive	Washer, M3.2	
28	372939	Knast	Lug, cassette lock, black plastic	
29	230542	Skive	Circlip, M2.3	
30	372551	Holder	Holder, cassette lock, right	
31	370870	Holder	Holder, cassette lock, left	
32	409316	Skrue	Screw, M3 x 10 pan hd	
33	374972	Fjær	Spring	
34	374584	Brakett	Bracket, cassette lock, right	
35	272903	Brakett	Bracket, cassette lock, left	
36	372702	Aksel	Spindle	
37	372156	Aksel	Spindle	
38	219162	Mutter	Nut, M3	
39	355791	Fjær	Spring	
40	996975	Pressvalsarm	Arm, pressure roller, secondary	
41	373801	Skive	Washer	
42	239651	Skive	Circlip, M3.2	
43	333126	Valse	Roller, pressure, rubber	Secondary
44	996974	Pressvalsarm	Arm, pressure roller, primary	
45	860004A	Hjul	Roller, pressure, rubber	Primary
46	372120	Tapp	Screw, eccentric	
47	370554	Fjær	Spring	
48	374232	Plate	Plate, black plastic	
49	303622	Kule	Ball, bearing, 4 mm	
50	373758	Plate	Plate, head mounting	
51	318364	Kule	Ball, bearing, 3 mm	
52	370044A	Fjær	Spring, flat	
53	405401	Loddeøre	Clip	
54	292487	Skrue	Screw, M2 x 5 pan hd	
55	374462	Sleide	Plate, slide	
56	371021A	Fjær	Spring	
57	373449	Skrue	Screw, set, M3 x 8	
58	372860	Plate	Plate, erase head	
59	294168	Skrue	Screw, M2 x 6 csk hd	
60	370087	Skrue	Screw, set, M2 x 8	
61	6799	Hode	Head, erase	
62	373995	Skrue	Screw, M2 x 10 pan hd	
63	371452	Brakett	Bracket, record head	
64	371768	Skrue	Screw, set, M4 x 5	
65	6673	Hode	Head, record	
66	370633	Skrue	Screw, M1.7 x 3 csk hd	
67	331279	Skrue	Screw, M1.7 x 3.5 pan hd	
68	373133	Plate	Plate, playback head	
69	378031	Hode	Head, playback	
70	372781	Skrue	Screw	
71	371100	Fjær	Spring	
72	373564	Skive	Washer, cup	
73	371099	Skive	Washer, M3.7	

Mechanism assembly



SPECIFY THIS WHEN ORDERING				
Index	Ordering No.	Beskrivelse (merknader)	Description (notes)	Reference
	*	Mekanisme-enhet	Mechanism assembly	
1	372041	Brakett	Bracket, flywheel	
2	409316	Skrue	Screw, M3 x 10 pan hd	
3	218609	Skive	Washer, M3.2	
4	*	lev. m/index 10	supplied with index 10	
5	290842	Skrue	Screw, M3 x 6 pan hd	
6	401788	Skrue	Bearing	
7	996986	Svinghjul (i par)	Flywheel (in matched pairs)	
8	370360	Rem	Belt, drive, secondary	
9	374268	Rem	Belt, drive, primary	
10	996970	Motor (m/index 4,13,14)	Motor, capstan (supplied with index 4, 13 and 14)	
11	401867	Brakett	Bracket, mounting, capstan motor	
12	296417	Skrue	Screw, M2.6 x 8 pan hd	
13	371422	Skive	Washer, mylar	
14	374735	Hjul	Pulley, drive	
15	292523	Skrue	Screw, M3 x 8 pan hd	
16	996972	Motor (lev. m/index 17)	Motor, rewind (supplied with index 17)	
17	373485	Hjul	Pulley, drive	
18	996971	Motor (lev. m/index 17)	Motor, wind (supplied with index 17)	
19	404115A	Plate	Mat, black rubber	
20	371099	Skive	Washer, M3.7	
21	405401	Loddeøre	Washer, tag	
22	374189	Brakett	Bracket, cam motor	
23	996969	Motor (m/index 13,24,25)	Motor, cam (supplied with index 13, 24 and 25)	
24	371064	Aksel	Spindle, 3 mm	
25	337674A	Skrue	Gear, worm	
26	355014	Plate	Disc, thrust bearing	
27	377565	Skive	Washer, M3.2	
28	371416	Potensiometer	Potentiometer, 50 kohm	
29	372429	Tannhjul	Wheel, worm, plastic	
30	370123	Snekkehjul	Wheel, worm	
31	371804	Lager	Bearing	
32	372077	Eksenter	Cam, double	
33	293852	Skrue	Screw, M3 x 16 pan hd	
34	219162	Mutter	Nut, M3	
35	374893	Aksel	Spindle, azimuth	
36	996987	Remtrekk- ombygningsett (lev. m/index 37-41)	Belt drive, modification kit (supplied with index 37 to 41)	
37	996984	Rem (lev. m/index 38,39)	Belt, azimuth adjustment, rubber (supplied with index 38 and 39)	
38	407456	Kopp	Flange, pulley, black plastic	
39	405502	Trinse	Pulley, rubber belt, black plastic	
40	404022	Stopper	Sleeve, spindle stop, black plastic	
41	409216	Skrue	Screw, azimuth adjustment	
42	322020	Skive	Washer, M3.2	
43	230542	Skive	Circlip, M2.3	
44	363765	Bryter	Switch, micro	
45	370202	Brakett	Bracket, microswitch	
46	241633	Skrue	Screw, 3/8" No.2 pan hd	

TANDBERG®
The European Alternative

Tandberg A/S, Post Office Box 53, 2007 Kjeller, Norway
