



GAST MANUFACTURING, INC.  
 A Unit of IDEX Corporation  
 Post Office Box 97  
 Benton Harbor, Michigan  
 Ph: 269/926-6171  
 Fax: 269/925-8288

PART NUMBER:

RTD176

REV.

C

Product Specifications

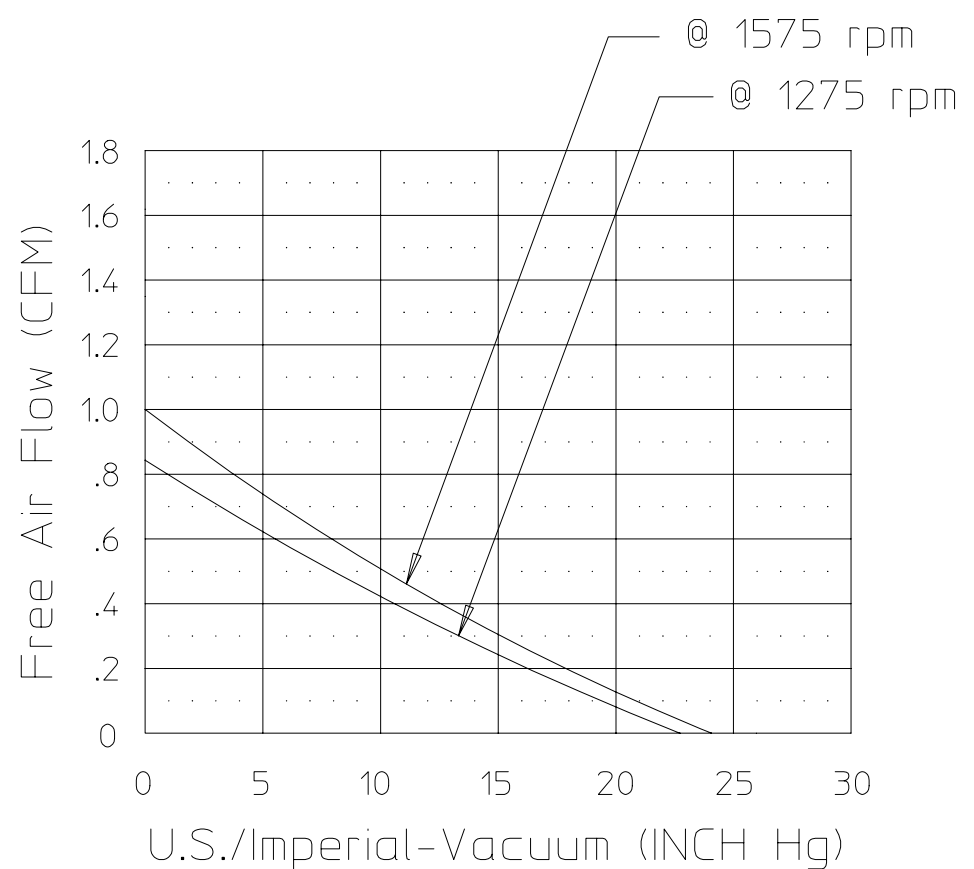
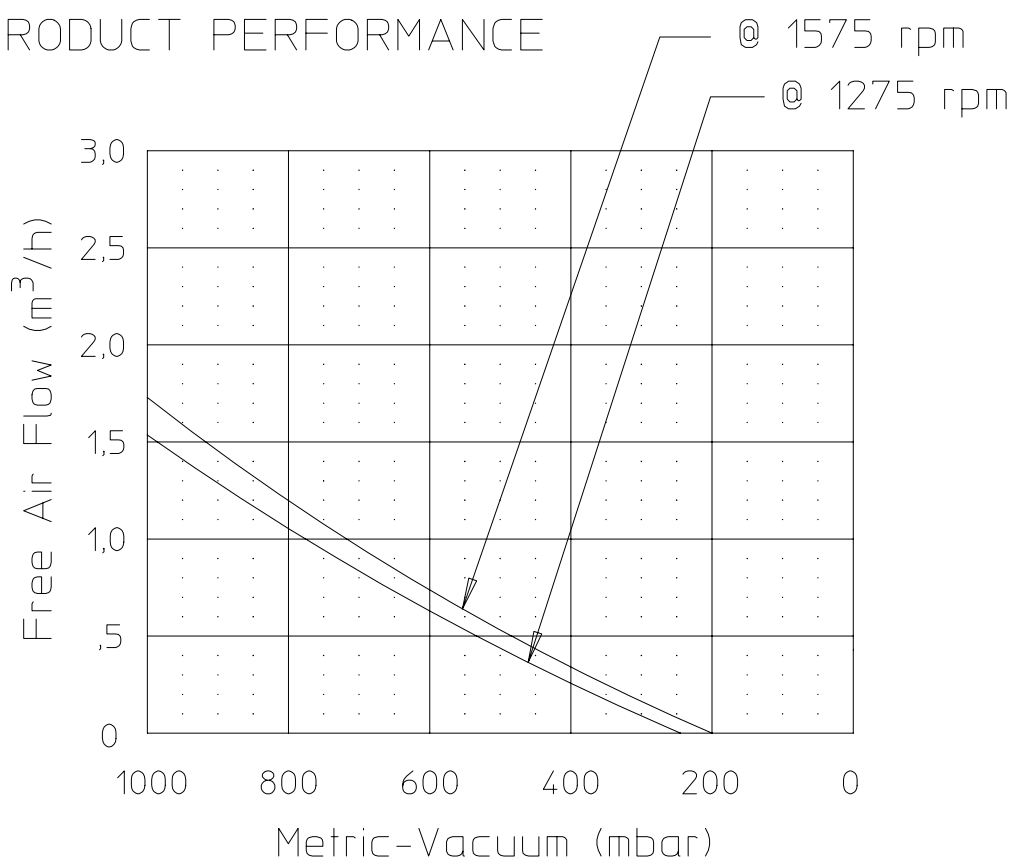
Model Number	Motor	RPM		HP	kW	Net Wt.		AMPS	CAPACITOR mfd. - volts
		60 cycle	50 cycle			lbs.	kg		
MAA-V103-HB	115/110-1	1575	1275	1/16	0,05	8	3,64	1.7/1.7	5 - 370

SOUND LEVEL Less than 70 dB(A)  
 NORMAL AMBIENT +5 degC - +40 degC  
 RELATIVE HUMIDITY 20% - 80%  
 ENVIRONMENT Clean Dust Free

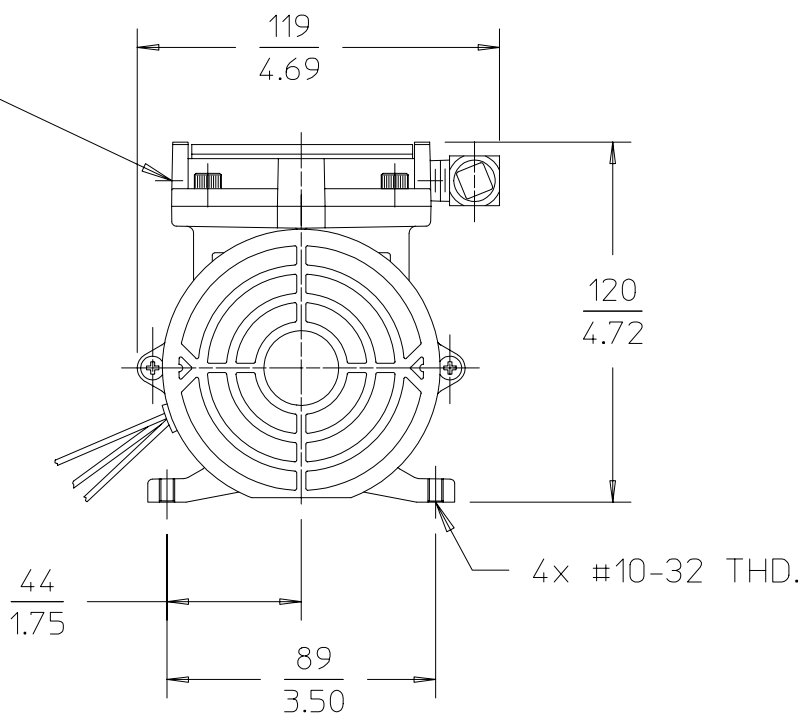
NOTES:

1. ALL DIMENSIONS ARE FOR REFERENCE USE ONLY.
2. PRODUCT DIMENSIONS: U.S. IMPERIAL (inches) METRIC (mm).
3. \* = TECHNICAL DATA SUBJECT TO CHANGE WITHOUT NOTICE.
4. INSTALLATION: THIS PUMP MUST BE INSTALLED IN AN ENCLOSURE.

PRODUCT PERFORMANCE



1/4 NPT OUTLET W/ ORIFICE PLUGS  
 (BOTH PORTS ON THIS SIDE)



1/4 NPT INLET

