

## INTRODUCING GAST 106R ROCKING PISTON COMPRESSOR

### Powerful, Quiet, Reliable

The GAST 106R was engineered for performance across the board- air flow, sound reduction, and longevity.

It provides more air flow while reducing sound levels vs. the OF302. It also boasts an impressive 16,000 hours of bearing life and 6,000 hours of cup life.



#### POWERFUL PERFORMANCE

The 106R delivers impressive performance - 5.5 cfm and a maximum pressure of 145 psi.



#### EXTREME DURABILITY

The 106R is built to last with 16,000 hours of bearing life and 6,000 hours of cup life.



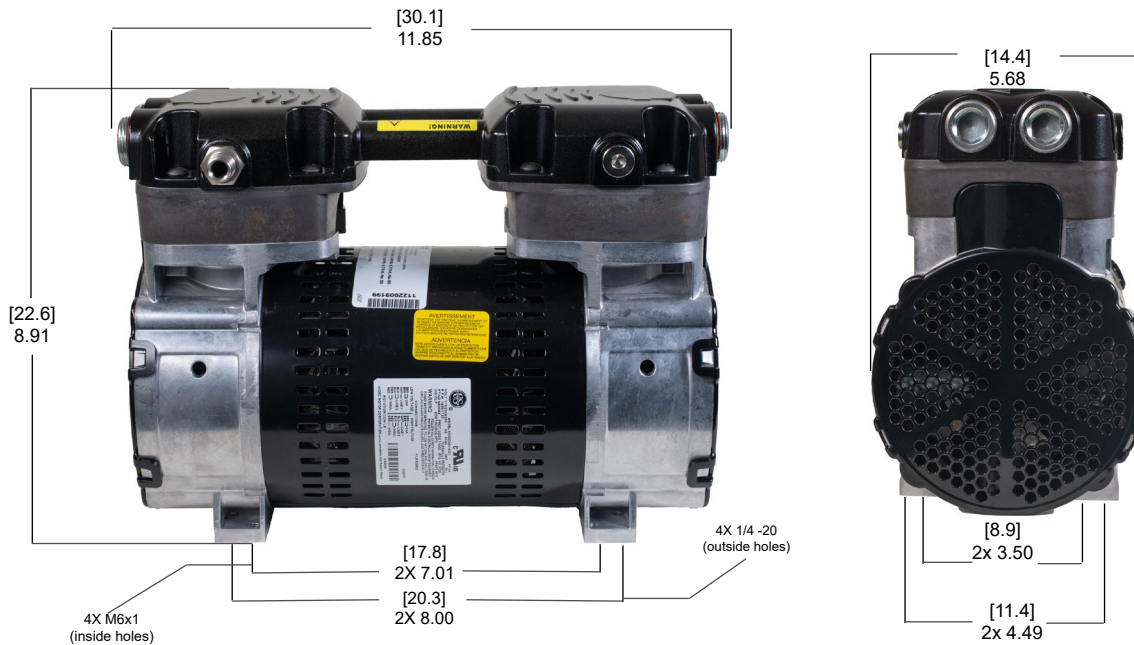
#### QUIET OPERATION

The 106R builds on GAST's reputation for quiet performance by delivering a decrease of up to 5.7 dBA from the OF302.



#### DEPENDABLE DELIVERY

The 106R minimizes supply chain constraints with an all-world dual voltage/dual frequency motor and a streamlined design optimized around readily available internal components.



## PERFORMANCE ATTRIBUTE

## 106R650-101-N600X\*

PERFORMANCE ATTRIBUTE	106R650-101-N600X*	
Max Continuous Pressure	145 psi	10 bar
Horsepower	0.75	
Amps	3.8 @ 230V / 7.4 @120V	
Rated Voltage, 60 Hz	115-120 / 230-240	
Rated Voltage, 50 Hz	220-230	
Open Air Flow, 60 Hz	5.5 cfm	156 lpm
Open Air Flow, 50 Hz	4.7 cfm	133 lpm
Air Flow @ 75 psi (5.2 bar), 60 Hz	2.6 cfm	74 lpm
Air Flow @ 145 psi (10 bar), 60 Hz	1.3 cfm	37 lpm
Air Flow @ 75 psi (5.2 bar), 50 Hz	2.2 cfm	62 lpm
Air Flow @ 145 psi (10 bar), 50 Hz	1.0 cfm	28 lpm
Length	11.9 in	30.1 cm
Width	5.7 in	14.4 cm
Height	8.9 in	22.6 cm
Weight	28 lb	12.7 kg
Service Life @ 100 psi (hours)	6,000	
Product Life @ 100 psi (hours)	16,000	
Sound dB[A]	70	

\*Product specifications are subject to change without notice.

GAST MANUFACTURING, INC.  
 A Unit of IDEX Corporation  
 2300 M-139 Highway, Benton Harbor, MI 49022  
 Office: 269-926-6171 | Tech: 269-934-1130

Copyright © IDEX Corporation 2023. Gast is a unit of IDEX Corporation.

GAST 106R SPEC SHEET V1\_10.23