

BST 1500

- DC24V
- Rated Pressure: 800 kPa
- Max Pressure: 1000 kPa
- Brushless Motor

Model: **BST1500/10DC24V**

Rated Voltage (V): **DC24V**

Input Power (W): **<1250 W**

Speed (r/min): **>1700**

Rated Pressure (kPa): **800 kPa**

Max Pressure (kPa): **1000 kPa**

Restart Pressure (kPa): **0 kPa**

Rated Volume Flow (m³/h): **9.6 m³/h @700 kPa**

Noise dB(A): **<68 dB(A)**. The air inlet is connected to the air filter and the exhaust is connected to the 2m air pipe. The noise is tested at the place 1m above the air inlet and the ambient noise is less than 40 dB.

Ambient Temperature °C: **-41~60 °C**

Working System: **S1 Continuous Working System**

Insulation Class: **F**

Cold Insulation Resistance (MΩ): **>100 MΩ**

Net Weight (kg): **16 kg**

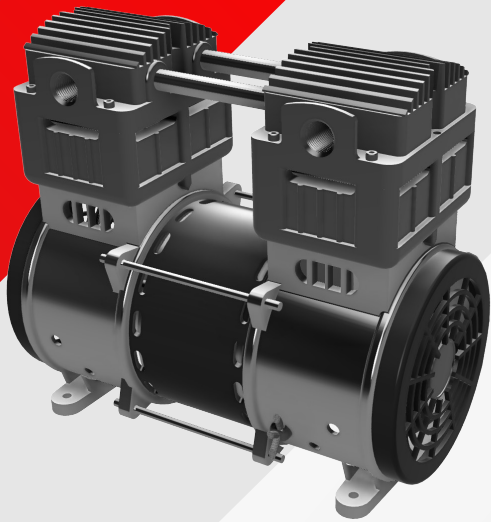
Installation Dimensions (mm): **246x127 mm** (Install Foot M8)

External Dimensions (mm): **319x195x290 mm**



Info@swautomatik.se | Phone: +46 (0)8-620 33 20 | www.swautomatik.se

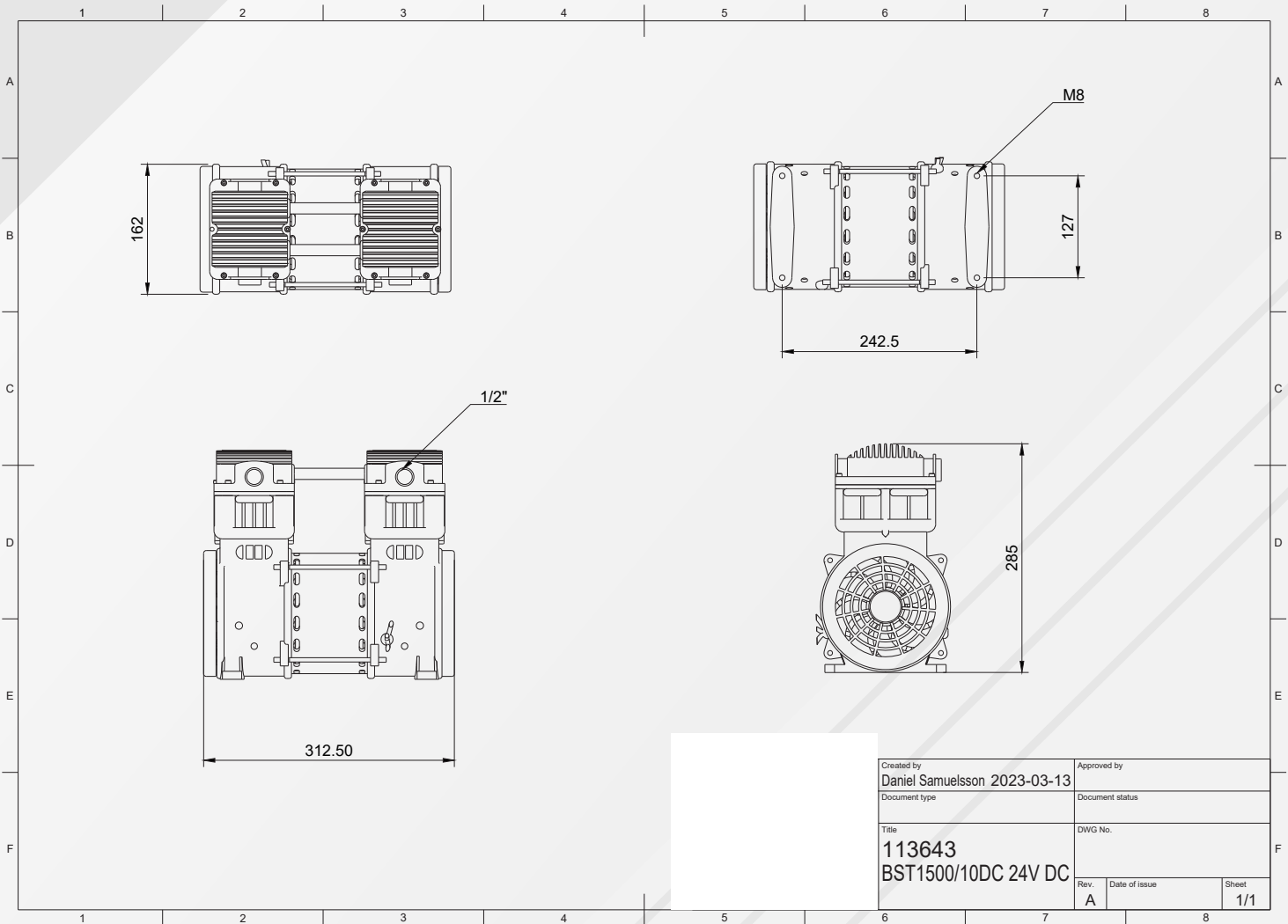
*Head Office: Mårbackagatan 27, Box 64, 123 22 Farsta
Delivery Address: Rålsgratan 6, 802 91 Gävle*



113643

BST1500/10DC 24V DC

• Scale 1:4



Created by Daniel Samuelsson 2023-03-13		Approved by	
Document type		Document status	
Title 113643 BST1500/10DC 24V DC		DWG No.	
Rev. A	Date of issue	Sheet 1/1	

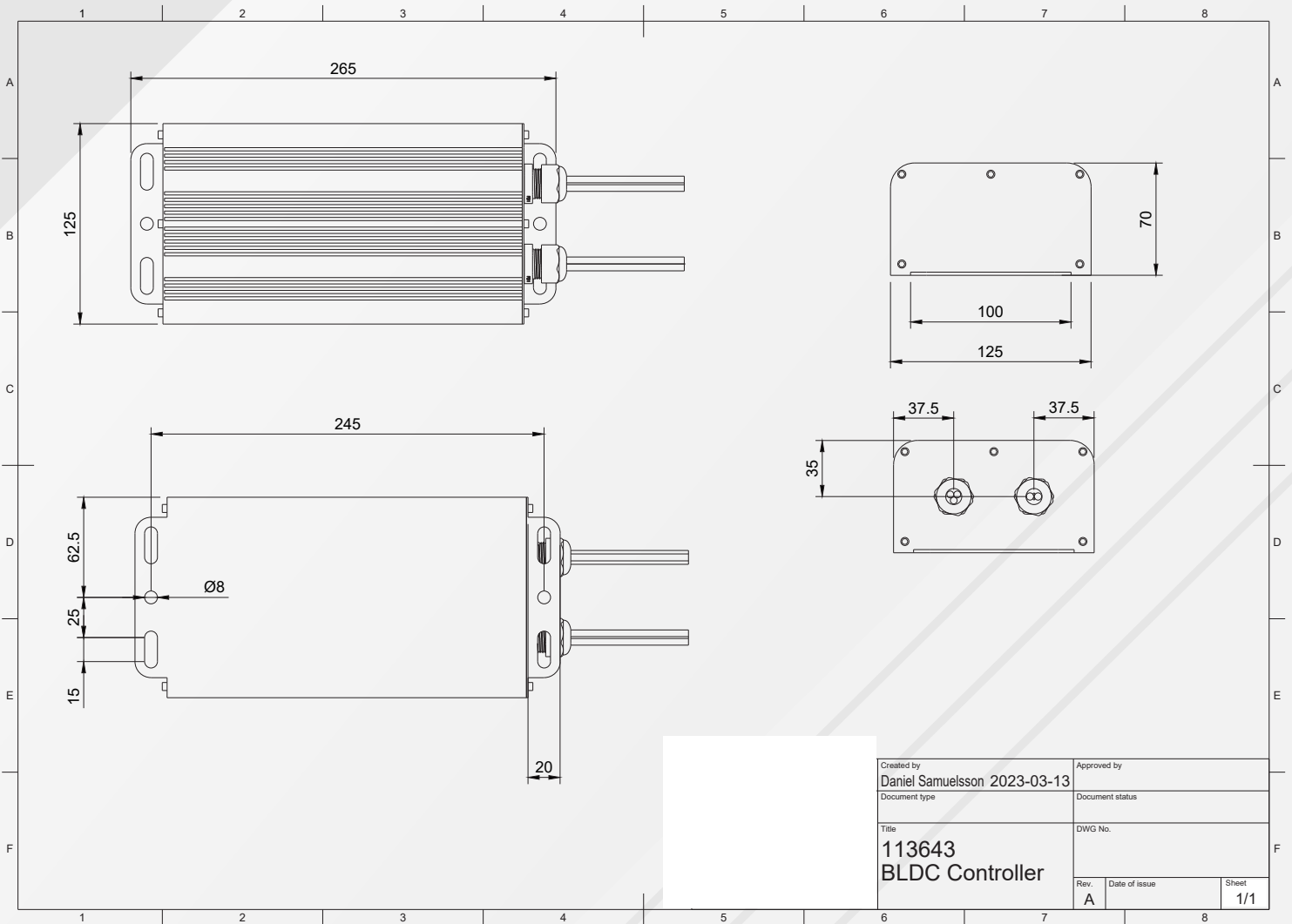
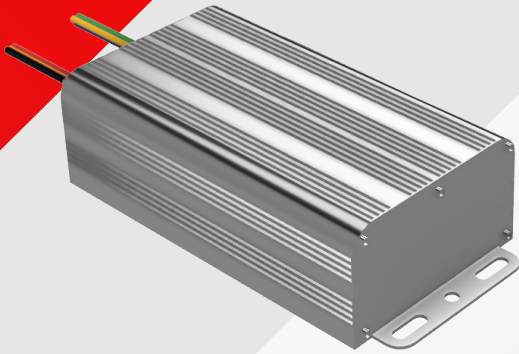


Info@swautomatik.se | Phone: +46 (0)8-620 33 20 | www.swautomatik.se

Head Office: Mårbackagatan 27, Box 64, 123 22 Farsta
 Delivery Address: Rälsgatan 6, 802 91 Gävle

113643 BLDC CONTROLLER

• Scale 1:2



Info@swautomatik.se | Phone: +46 (0)8-620 33 20 | www.swautomatik.se

Head Office: Märbackagatan 27, Box 64, 123 22 Farsta
Delivery Address: Rålgatan 6, 802 91 Gävle