

TECHNICAL DATA SHEET

MODEL NO.	MAX. PRESSURE		MAX. SPEED	HP	kW	NET WT.	
	bar	psi				lb	kg
MVP02DS-ANC-NXXA-01	6,9	100	3,500 RPM	1.2	0,9	5,4	2.5

NOTES:

- CONFORMS TO EUROPEAN STANDARD EN13463-1 NON-ELECTRICAL EQUIPMENT FOR EXPLOSIVE ATMOSPHERES GROUP II CAT 2 (GAS & DUST), PROTECTED BY CONSTRUCTION T5 (TEMP. RATED 100C)
- TECHNICAL DATA SUBJECT TO CHANGE WITHOUT NOTICE

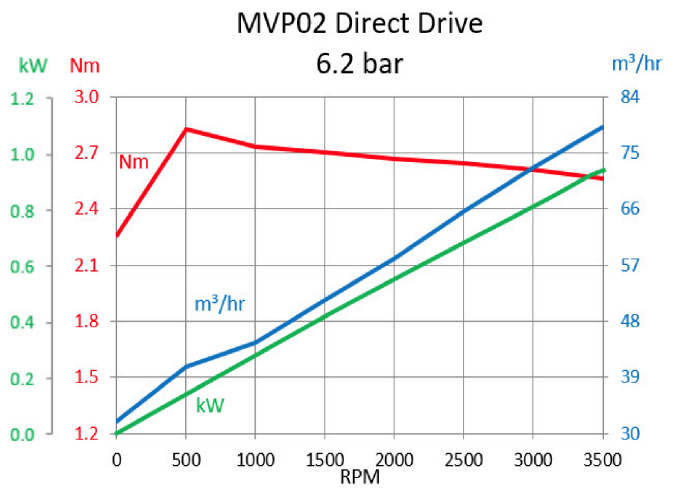
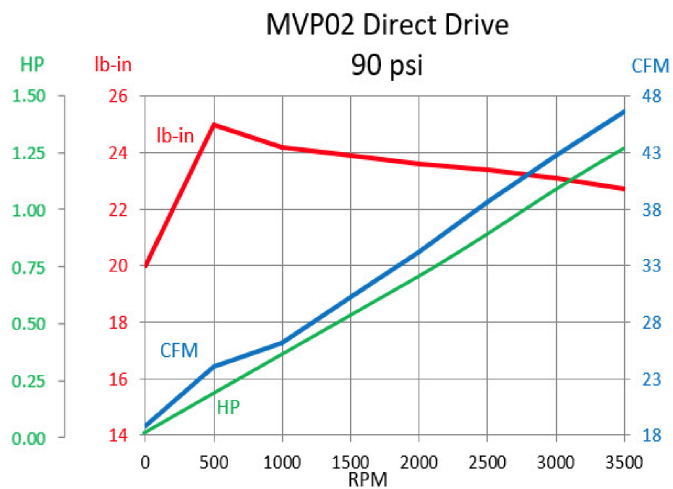
SOUND LEVEL 85 dB(A) MAX.

NORMAL AMBIENT 1 °C - 40 °C

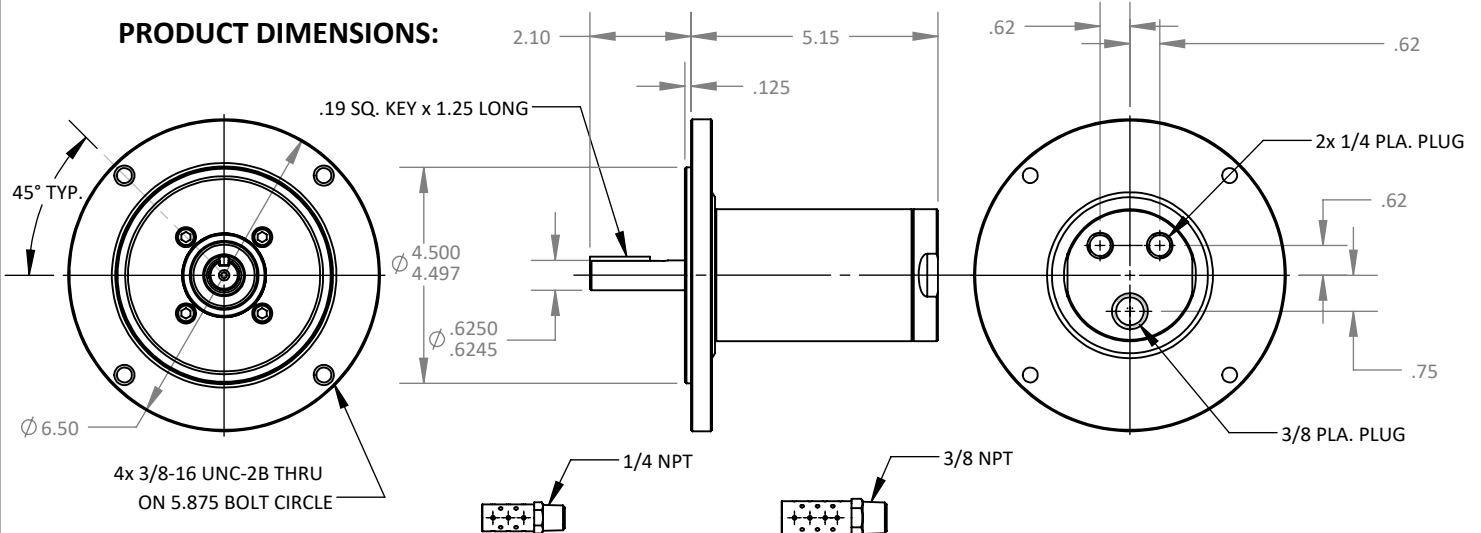
RELATIVE HUMIDITY 0% - 100%

ENVIRONMENT HAZARDOUS AMBIENT COMBUSTIBLE GAS AND DUST

OUTPUT PERFORMANCE



PRODUCT DIMENSIONS:



DATE CREATED: 8/17