

## TECHNICAL DATA SHEET

MODEL NO.	MAX. PRESSURE		MAX. SPEED	HP	kW	NET WT.	
	bar	psi				lb	kg
MVP02DS-ANC-NXSA-01	6,9	100	3,500 RPM	1.2	0,9	10.3	4.7

**NOTES:**

1. CONFORMS TO EUROPEAN STANDARD EN13463-1 NON-ELECTRICAL EQUIPMENT FOR EXPLOSIVE ATMOSPHERES GROUP II CAT 2 (GAS & DUST), PROTECTED BY CONSTRUCTION T5 (TEMP. RATED 100C)
2. TECHNICAL DATA SUBJECT TO CHANGE WITHOUT NOTICE.
3. STAINLESS STEEL CONSTRUCTION.

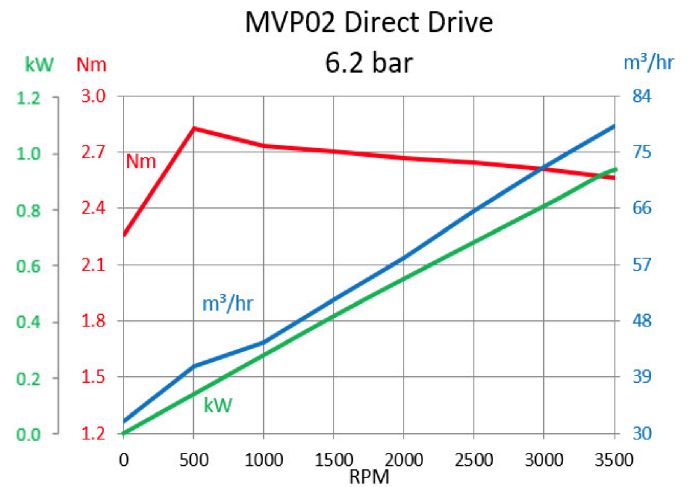
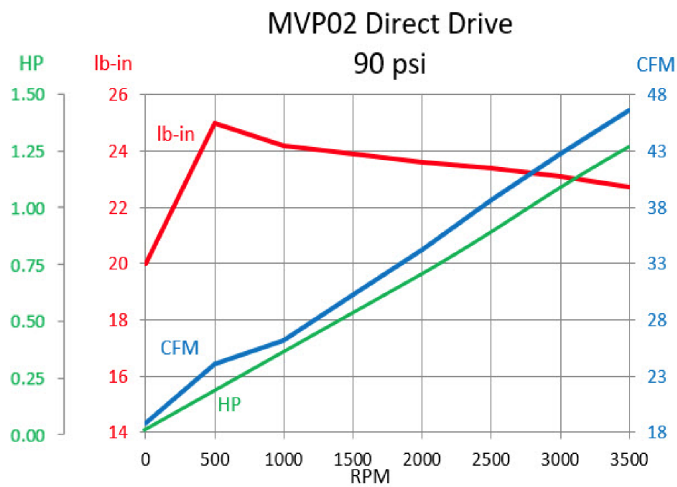
**SOUND LEVEL** 85 dB(A) MAX.

**NORMAL AMBIENT** 1 °C - 40 °C

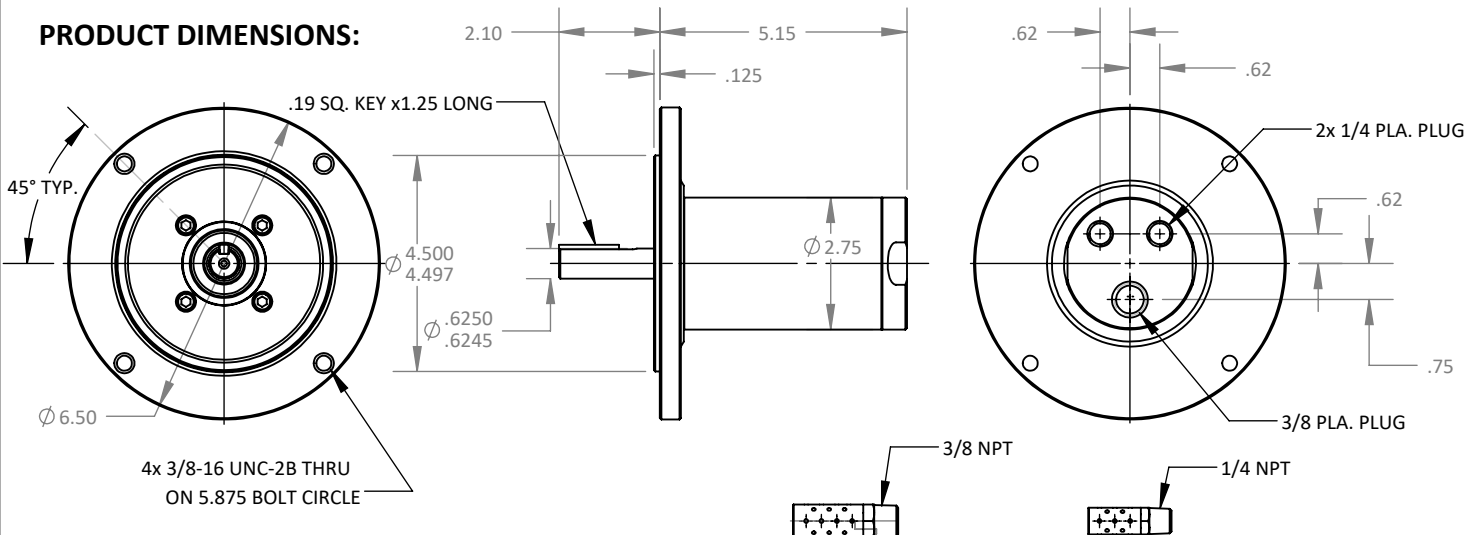
**RELATIVE HUMIDITY** 0% - 100%

**ENVIRONMENT** HAZARDOUS AMBIENT COMBUSTIBLE GAS AND DUST

## OUTPUT PERFORMANCE



**PRODUCT DIMENSIONS:**



DATE CREATED: 9/17