



Post Office Box 97  
 Benton Harbor, Michigan  
 Ph: 616/926-6171  
 Fax: 616/925-8288

PART NUMBER:

LTD109

REV.

E

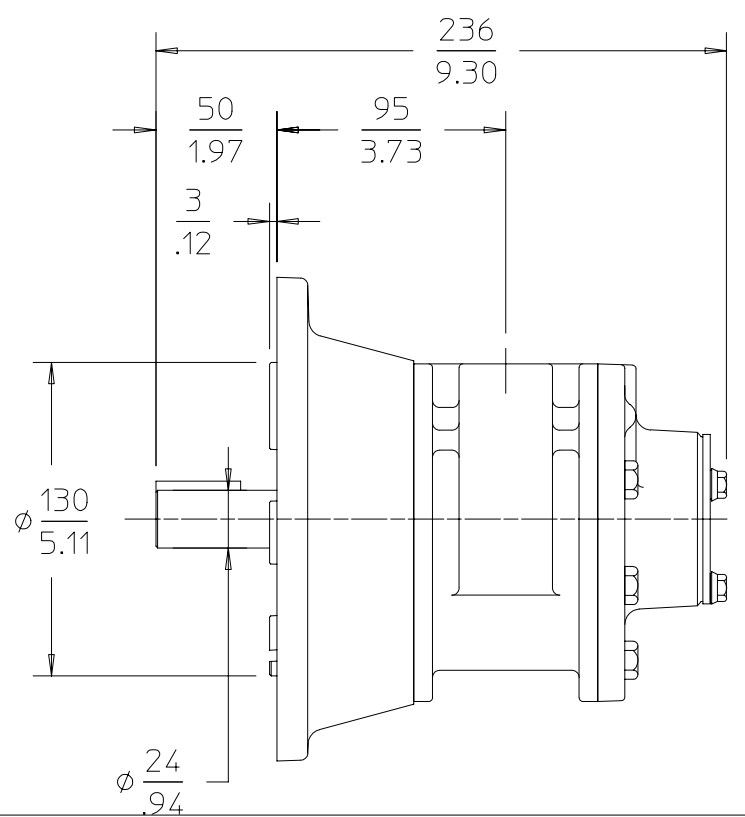
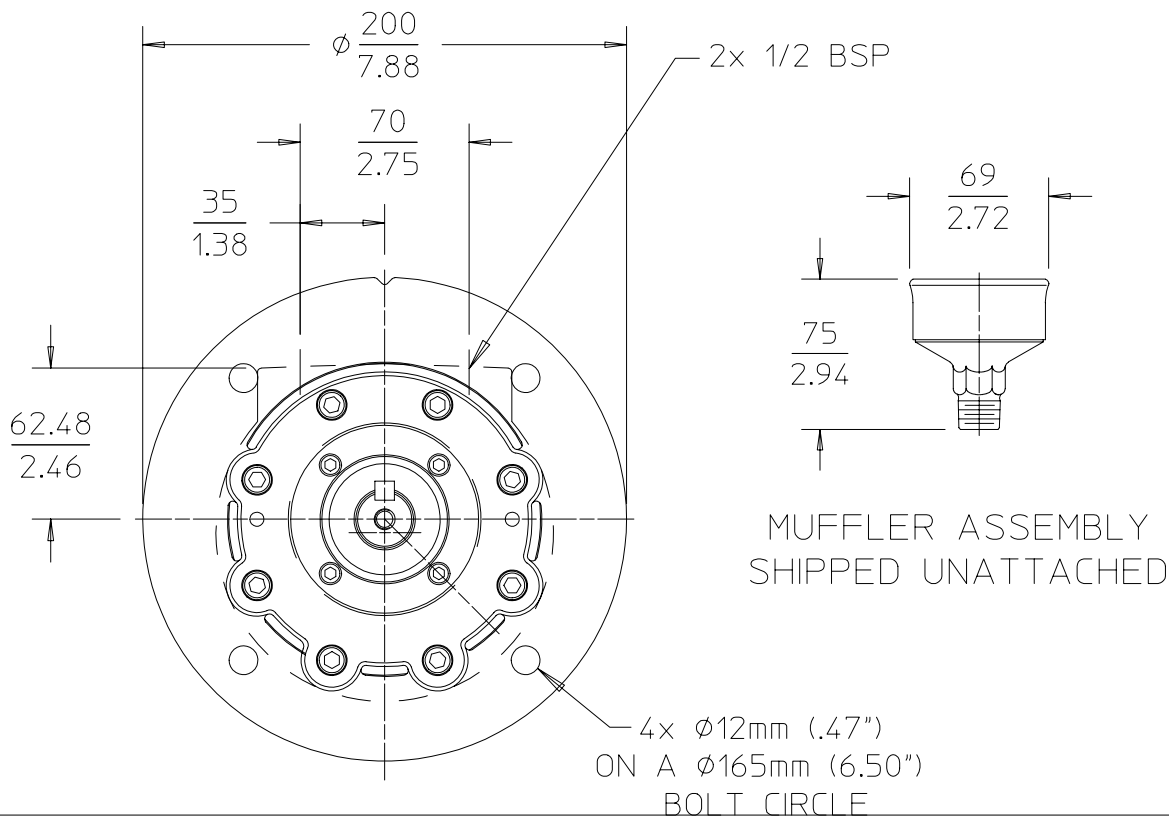
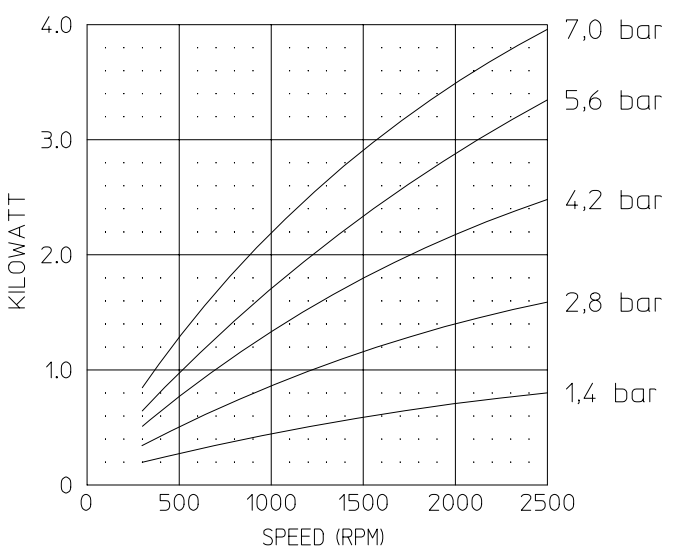
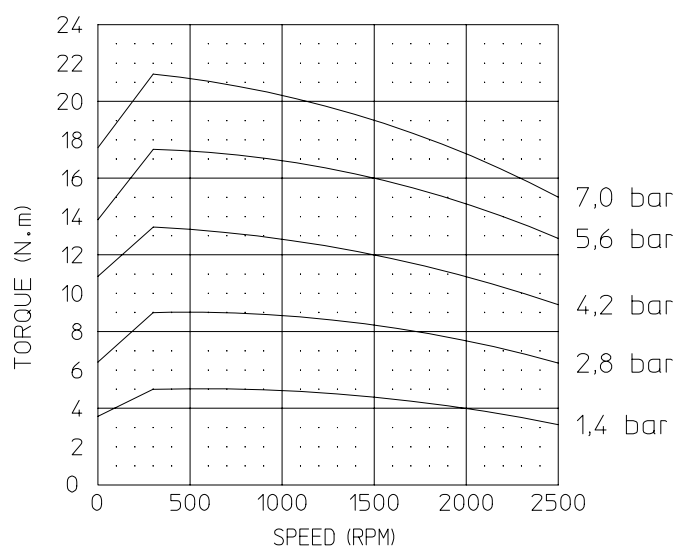
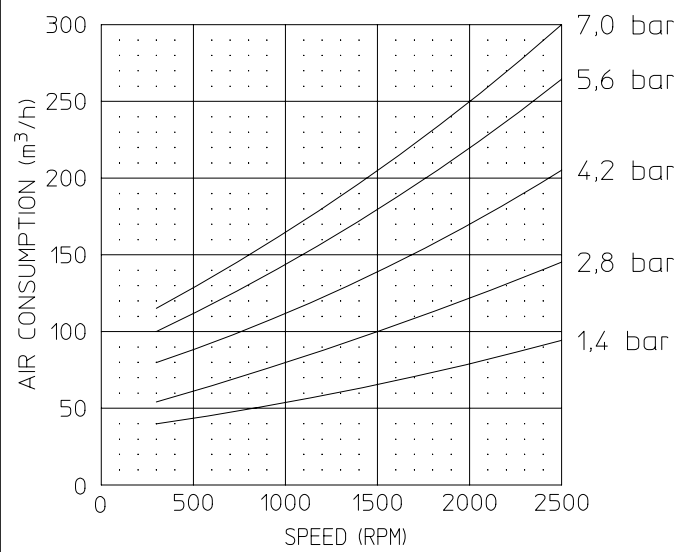
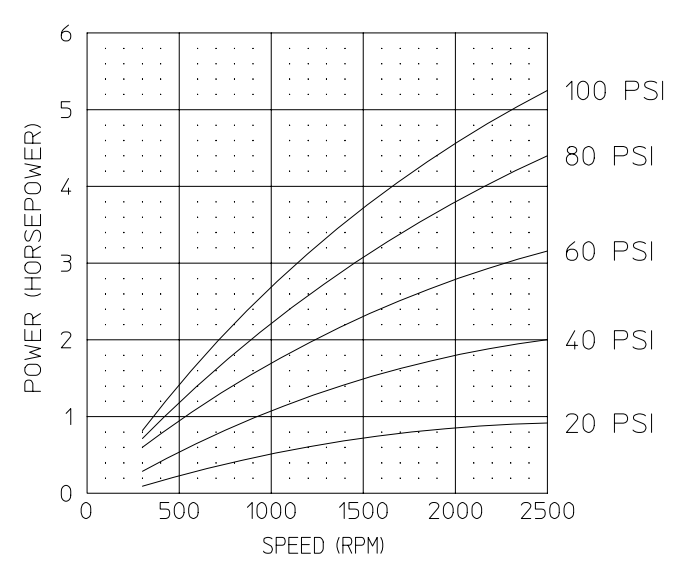
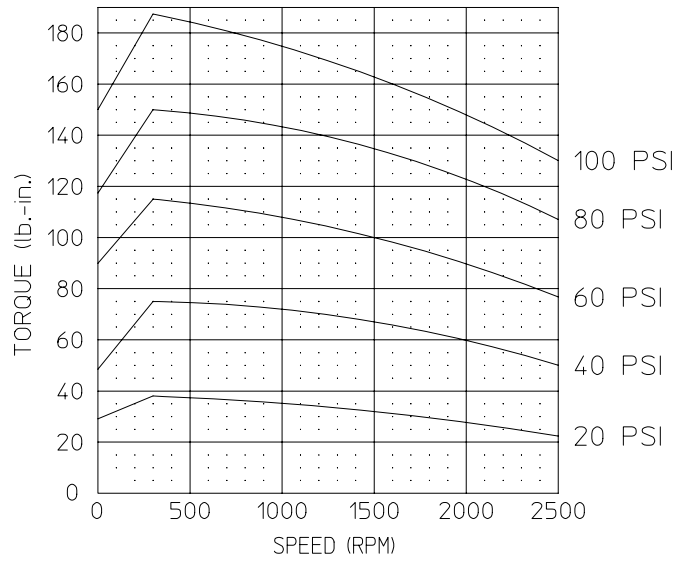
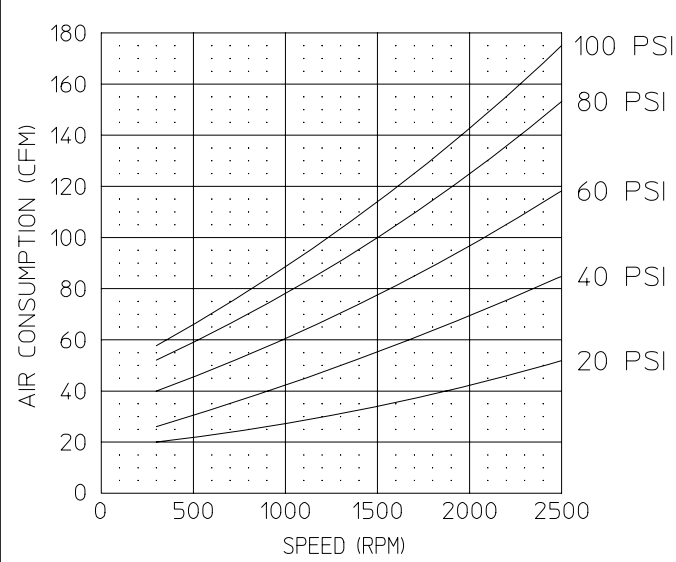
Product Specifications

Model Number	MAX. PRESS.		MAX. SPEED	HP	kW	Net Wt.	
	bar.	PSI				lbs.	kg
8AM-ARV-70	7.0	100	2,500 RPM	5.0	4.0	32	14,54
8AM-ARV-71	7.0	100	2,500 RPM	5.0	4.0	32	14,54

SOUND LEVEL 105 dba MAX.  
 NORMAL AMBIENT 1°C. - 120°C.  
 RELATIVE HUMIDITY 0% - 100%  
 ENVIRONMENT HAZARDOUS AMBIENT COMBUSTIBLE  
GAS AND DUST +1°C TO +40°C

CONFORMS TO EUROPEAN STANDARD EN13463-1  
 NON-ELECTRICAL EQUIPMENT FOR EXPLOSIVE  
 ATMOSPHERES GROUP II CAT 2 (GAS & DUST),  
 PROTECTED BY CONSTRUCTION  
 (SURFACE TEMP. RATED 135°C).

\* TECHNICAL DATA SUBJECT TO CHANGE  
 WITHOUT NOTICE.



4x  $\phi 12$ mm (.47")  
 ON A  $\phi 165$ mm (6.50")  
 BOLT CIRCLE