



Post Office Box 97
 Benton Harbor, Michigan
 Ph: 269/926-6171
 Fax: 269/925-8288

PART NUMBER: STD133
 REVISION: K

Product Specifications

Model Number	MAX. PRESS.		MAX. SPEED	HP	kW	Net Wt.	
	bar.	PSI				lbs.	kg
6AM-NRV-7A	7.0	100	3,000 RPM	4.0	3.0	21	9.5
*6AM-NRV-7C	7.0	100	3,000 RPM	4.0	3.0	21	9.5
6AM-NRV-7D	7.0	100	3,000 RPM	4.0	3.0	21	9.5
6AM-NRV-7E	7.0	100	3,000 RPM	4.0	3.0	21	9.5
6AM-NRV-29A	7.0	100	3,000 RPM	4.0	3.0	21	9.5

CONFORMS TO EUROPEAN STANDARD EN13463-1
 NON-ELECTRICAL EQUIPMENT FOR EXPLOSIVE
 ATMOSPHERES GROUP II CAT 2 (GAS & DUST),
 PROTECTED BY CONSTRUCTION
 (SURFACE TEMP. RATED 135°C).

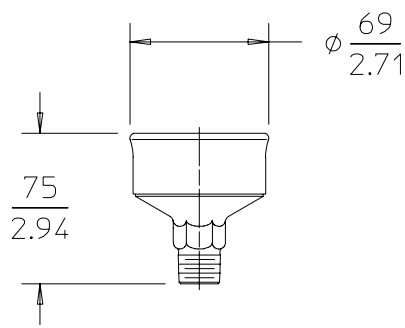
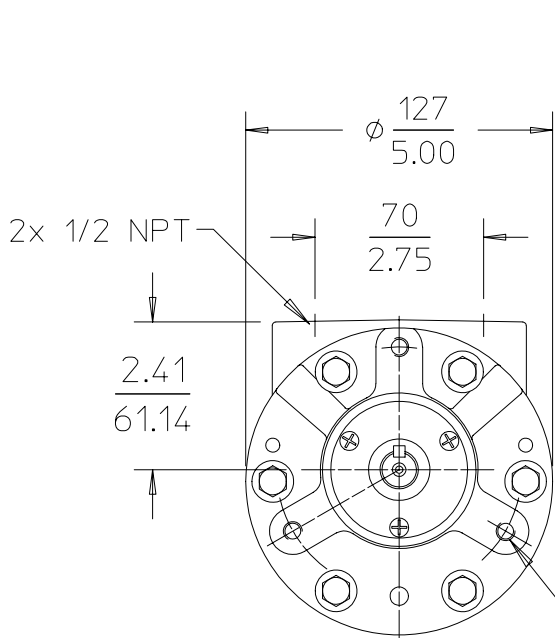
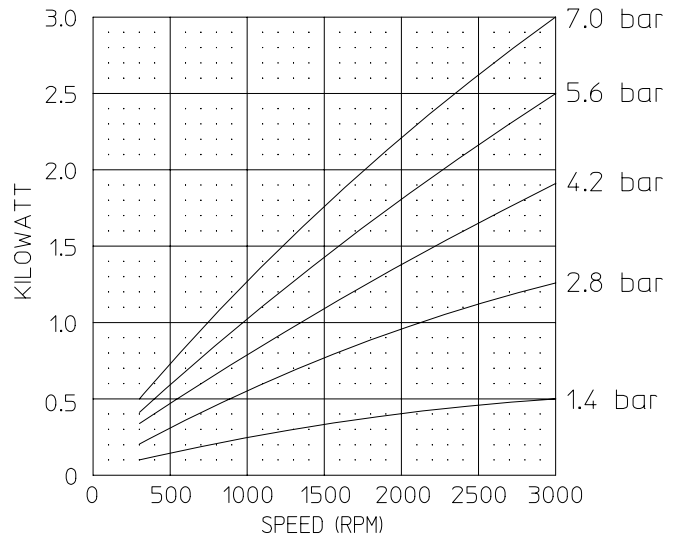
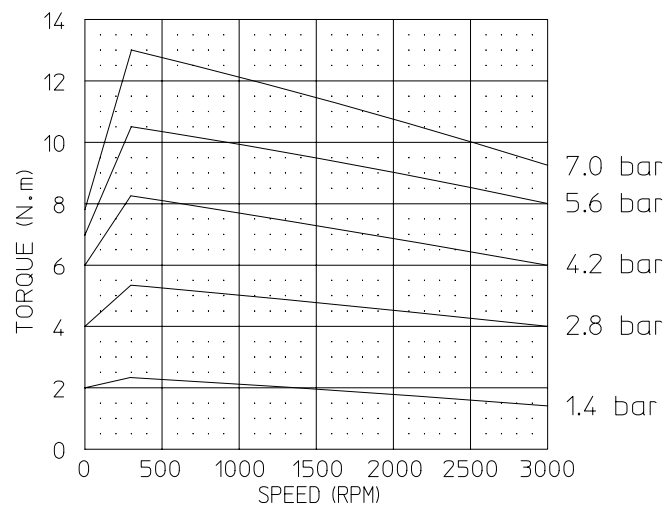
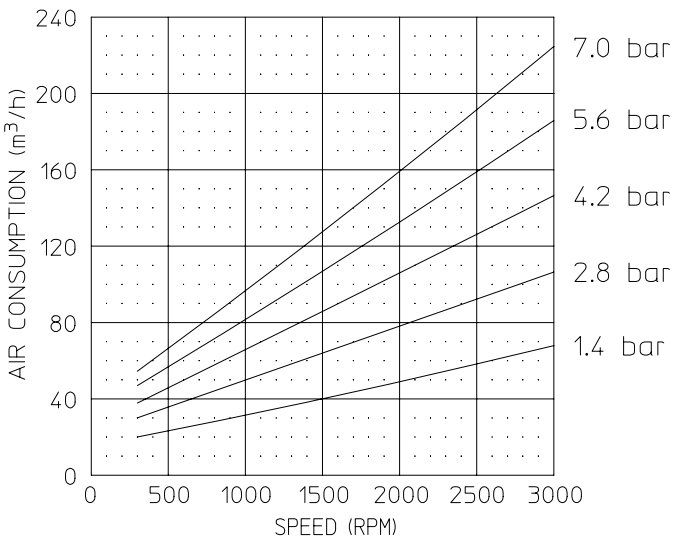
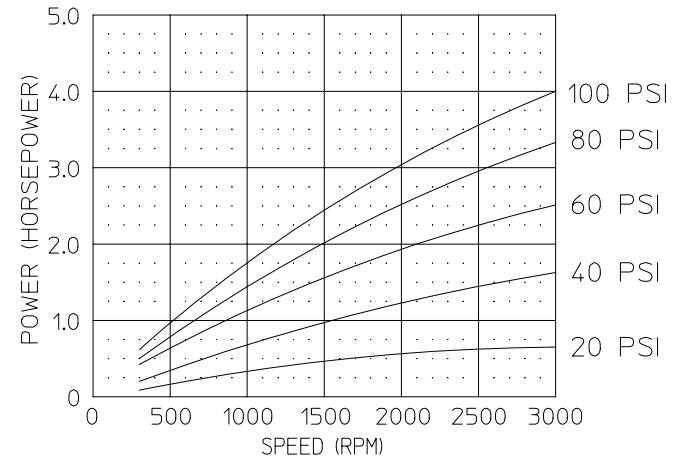
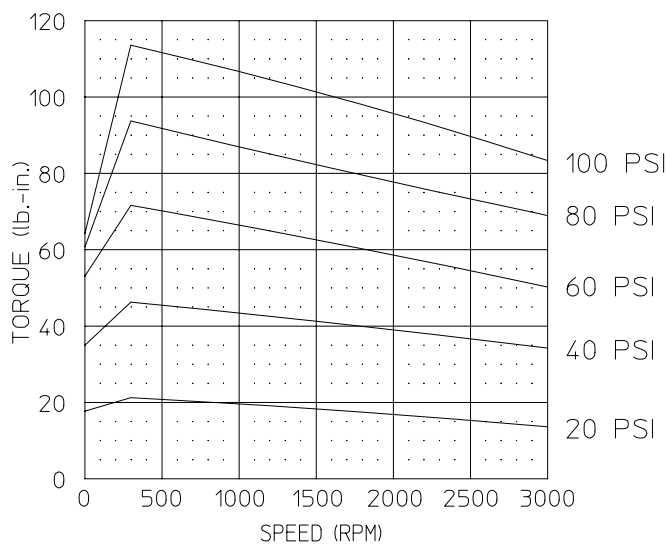
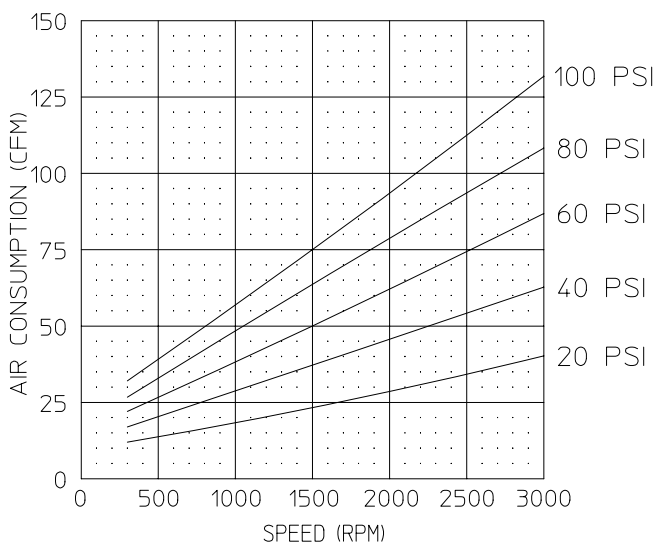
SOUND LEVEL 90 dba MAX.

NORMAL AMBIENT +1°C. - 120°C.

RELATIVE HUMIDITY 0% - 100%

ENVIRONMENT HAZARDOUS AMBIENT COMBUSTIBLE
 GAS AND DUST +1°C TO +40°C

* DENOTES INACTIVE UNITS



MUFFLER ASSEMBLY
 SHIPPED UNATTACHED
 6AM-NRV-7A AND
 6AM-NRV-29A ONLY

3x 5/16-18
 ON A 102mm (4.00")
 BOLT CIRCLE

