



Post Office Box 97
 Benton Harbor, Michigan
 Ph: 269/926-6171
 Fax: 269/925-8288

PART NUMBER: STD151
 REVISION: E

Product Specifications

Model Number	MAX. PRESS.		MAX. SPEED	HP	kW	Net Wt.	
	bar.	PSI				lbs.	kg
1UP-NRV-4	5.6	80	6,000 RPM	.42	0.33	3	1.4
1UP-NRV-11	5.6	80	6,000 RPM	.42	0.33	3	1.4

SOUND LEVEL 78 dB(A) MAX.

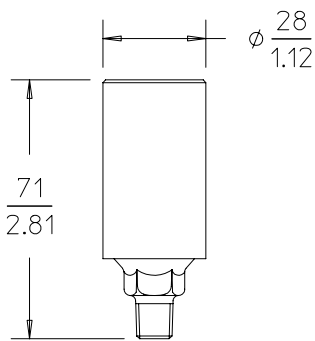
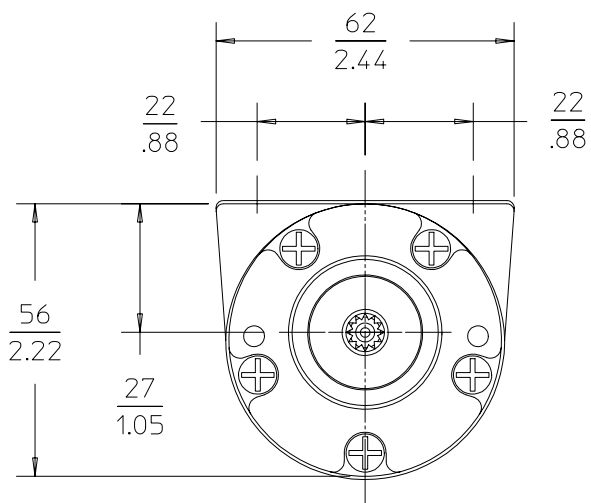
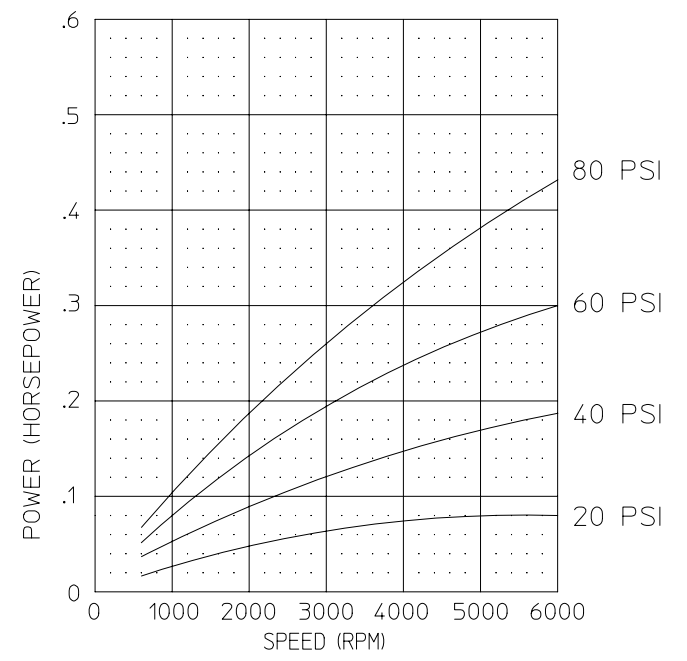
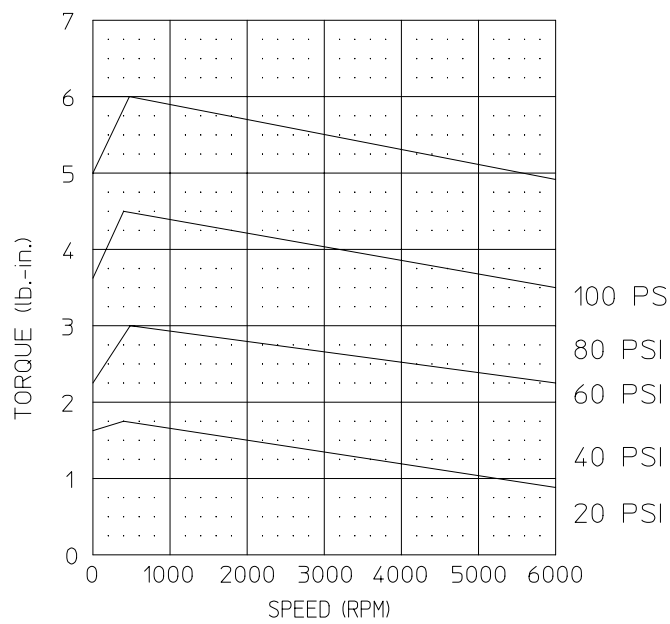
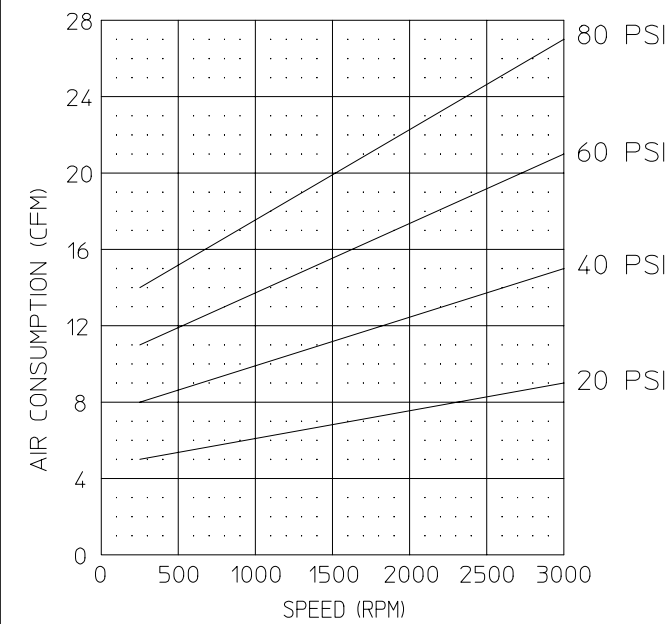
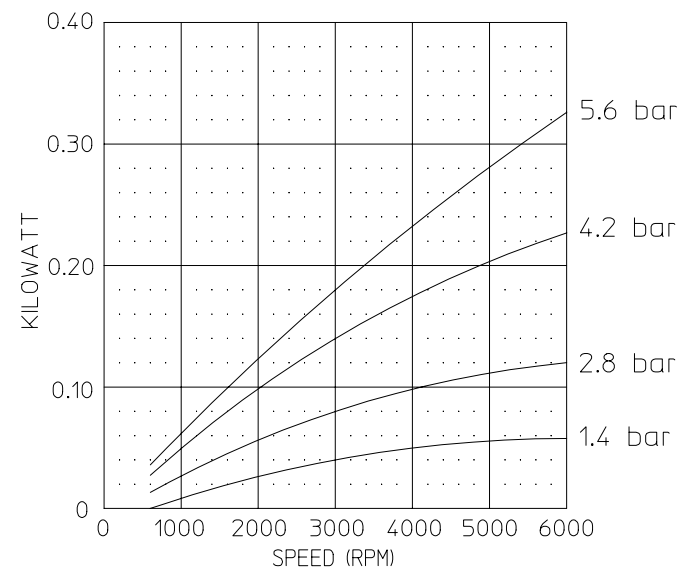
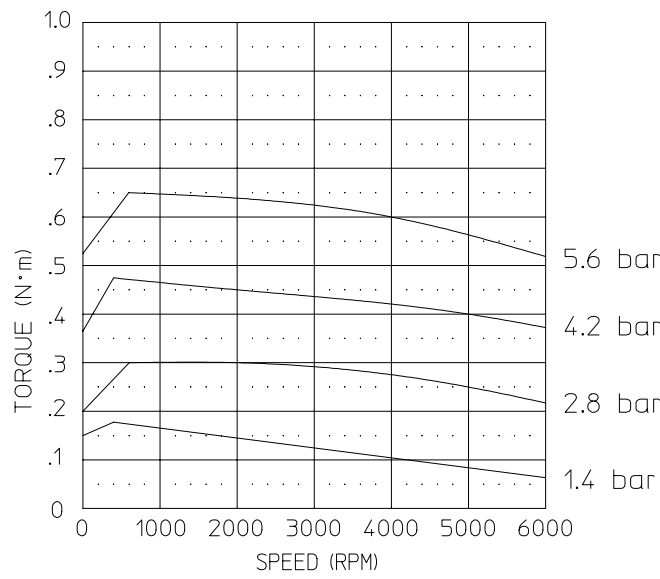
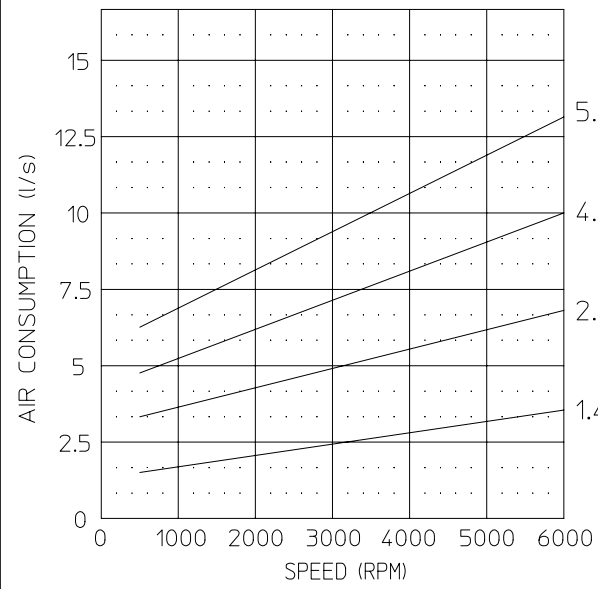
NORMAL AMBIENT +1°C. - 120°C.

RELATIVE HUMIDITY 0% - 100%

ENVIRONMENT HAZARDOUS AMBIENT COMBUSTIBLE
 GAS AND DUST +1°C TO +40°C

CONFORMS TO EUROPEAN STANDARD EN13463-1 NON-ELECTRICAL EQUIPMENT FOR EXPLOSIVE ATMOSPHERES GROUP II CAT 2 (GAS & DUST), PROTECTED BY CONSTRUCTION (SURFACE TEMP RATED 135°C)

* TECHNICAL DATA SUBJECT TO CHANGE WITHOUT NOTICE.



MUFFLER ASSEMBLY SHIPPED UNATTACHED

