

**Technical Characteristics**

- Aluminum alloy construction
- Smooth operation
- Maintenance free

**Electric Motor**

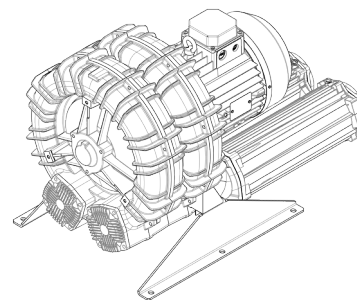
- IE3 Wide Range cURus Motors
- IP 55 protection rating, class F insulation, suitable for operating with inverter (refer to FPZ)
- Thermal Protector (PTO) as standard

**Options**

- Special voltages (IEC 60038)
- Surface treatments
- Increased seal version

~3	[V] (Y / Δ)	[Hz]
IE3	690 / 400	50
	795 / 460	60
Wide Range	600 - 720 / 345 - 415	50
	660 - 830 / 380 - 480	60

Supply voltage - [Tolerance on the fixed voltage value ± 10%, in range ± 5%.]

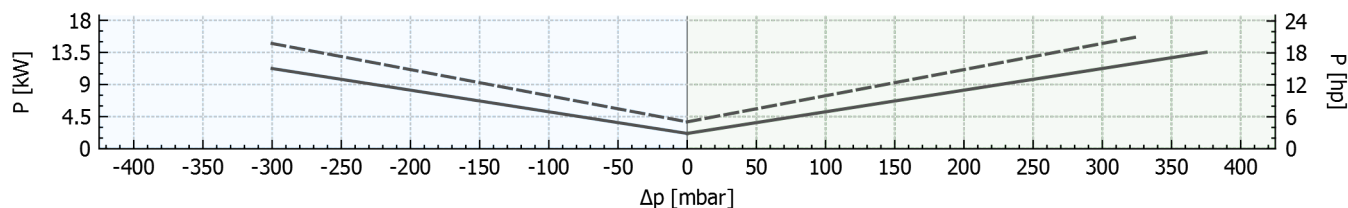
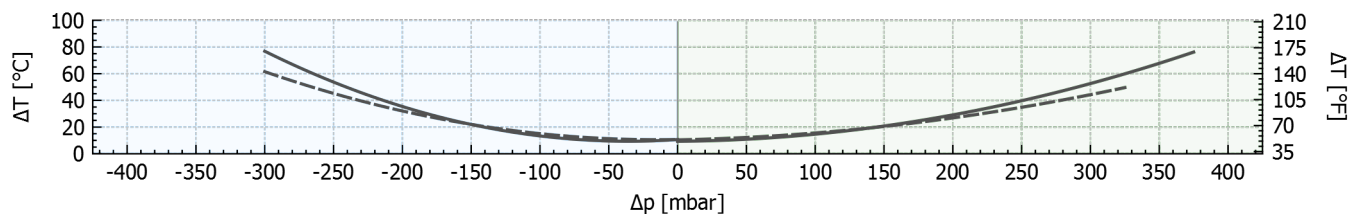
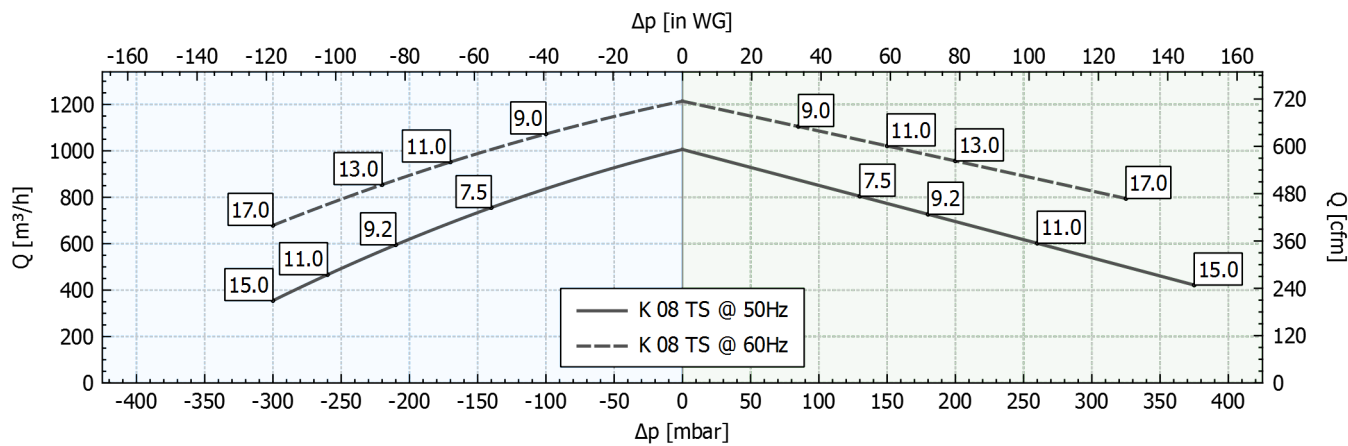


**Performance Table**

P <sub>n</sub> [kW]	Frequency [Hz]	Δp <sub>max</sub> [mbar]		Q <sub>max</sub> [m³/h]	Leq <sup>1</sup> [dB(A)]	Weight [kg]	H <sup>2</sup> [mm]	Current Consumption (Y/Δ) [A]		Cosφ [-]	Speed [rpm]
		Suction	Compression					IE3	Range		
7.5	50	140	130	1006	78.9	104	580	8.95 / 15.5	9.06-9.30 / 15.7-16.1	0.78	2940
9	60	100	85	1214	80.9	104	580	8.78 / 15.2	9.71-8.97 / 16.8-15.5	0.82	3535
9.2	50	210	180	1006	78.9	109	620	10.3 / 17.8	10.9-10.5 / 18.9-18.1	0.83	2935
11	60	170	150	1214	80.9	115.5	620	10.2 / 17.7	11.7-10.3 / 20.3-17.8	0.86	3530
11	50	260	260	1006	78.9	115.5	620	12.5 / 21.6	13.0-12.8 / 22.6-22.2	0.81	2940
13	60	220	200	1214	80.9	115.5	620	12.3 / 21.2	13.8-12.4 / 23.9-21.5	0.84	3535
15	50	300	375	1006	78.9	133	695	16.2 / 28.1	17.5-16.4 / 30.4-28.4	0.84	2935
17	60	300	325	1214	80.9	133	695	15.5 / 26.8	17.8-15.5 / 30.9-26.9	0.86	3535

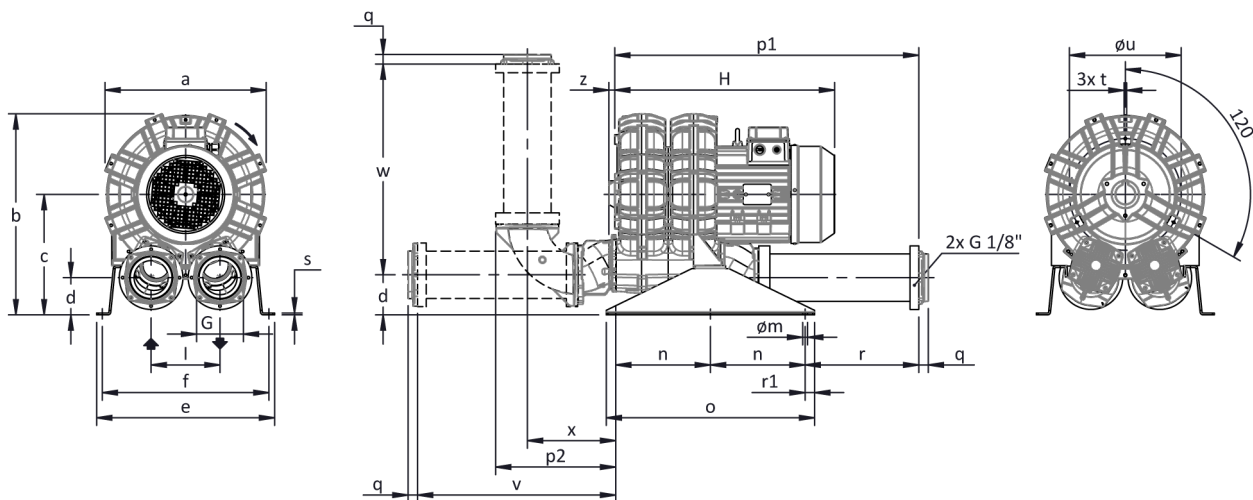
1. Noise level measured at a distance of 1 m with ducted intake and delivery, in accordance with Standard ISO 3744.  
 2. See figure "dimensions" at following page.

**SUCTION** **COMPRESSION**



Tolerance on indicated values ± 10%.  
 Data subject to change without notice.  
 Curves referring to air at a temperature of 20 °C and atmospheric pressure of 1013 mbar (abs).

## Dimensions



Configuration with a vertical silencer is only available with the CK accessory kit; for all assembly options refer to FPZ.

Dimensions in mm

NOT Binding

a	b	c	d	d1	e	f	G	l	l1	l2	m	n	o	p1	p2	q	r	r1	s	t	u	v	w	x	y	z
457	548	319	98	-	480	448	G 4"	182	-	-	13	250	550	802	315	25	299	25	5	M8	310	522	581	276	-	16

## INSTALLATION

- For proper operation of the machine, it must be provided with a suction FILTER and a vacuum/pressure limiting VALVE.
- Other accessories are available on request.
- Permissible ambient and fluid temperature in suction from -15 °C to +40 °C.
- Read the instruction manual carefully before installing the machine.