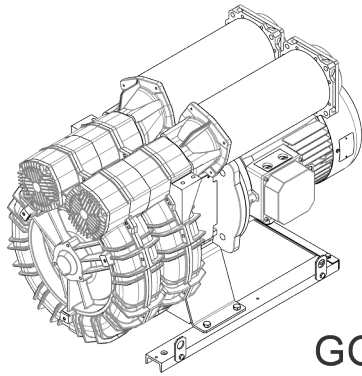
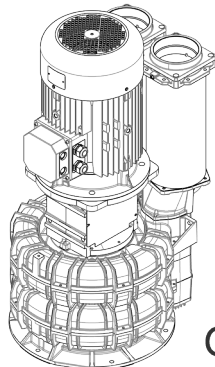
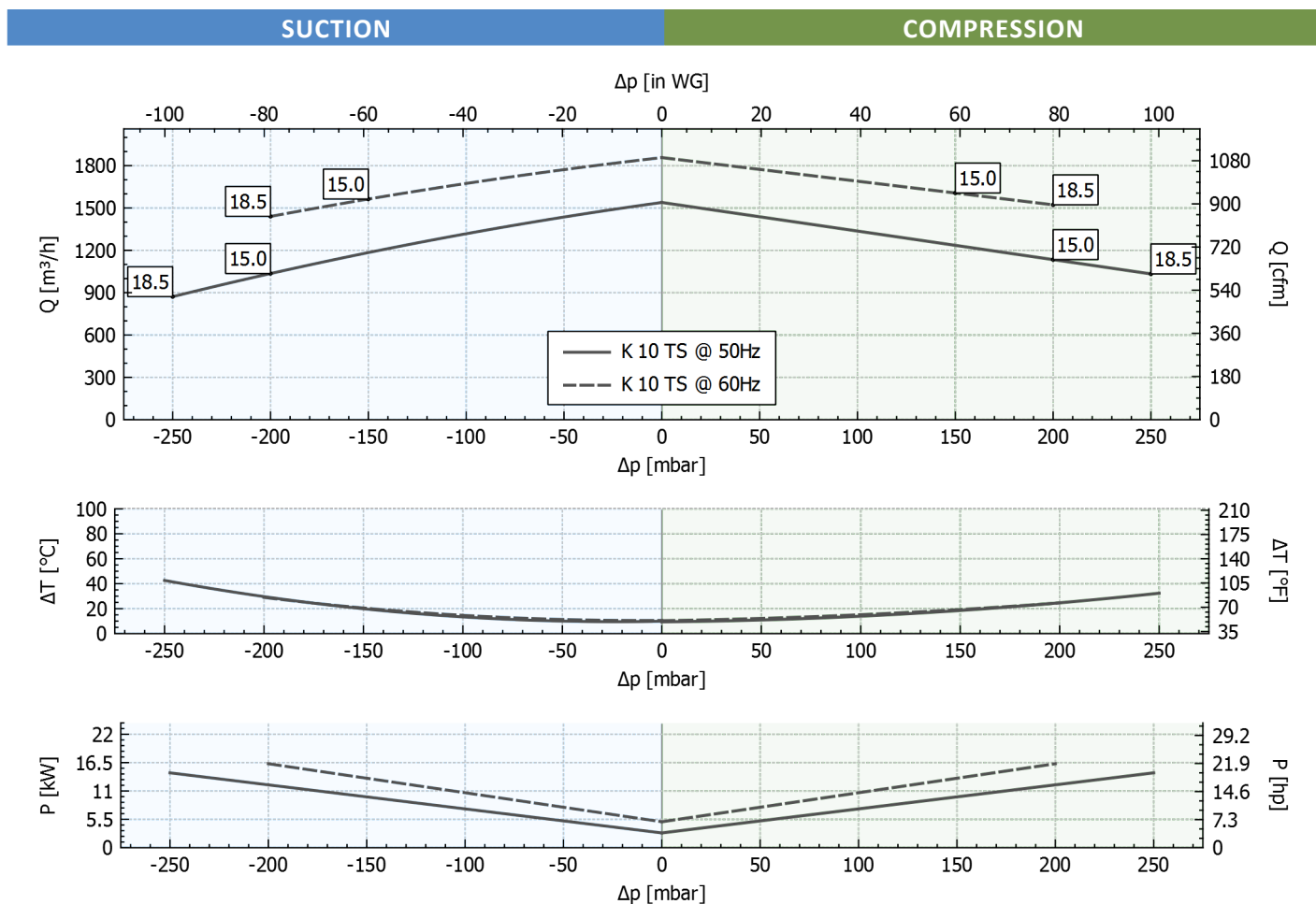


Technical Characteristics - Aluminum alloy construction - Smooth operation - Maintenance free Electric Motor - Motors with IP 55 protection rating. - Class F(B) insulation Options - Special voltages (IEC 60038) - Surface treatments - Increased seal version - VFD compatible motor - PTO/PTC thermal protector	 <p>GOR</p>	 <p>GVR</p>
--	---	---

Performance Table

P _n [kW]	Frequency [Hz]	Δp _{max} [mbar]		Q _{max} [m ³ /h]	Leq ¹ [dB(A)]	Weight [kg] GOR / GVR	H ² [mm]
		Suction	Compression				
15	50	200	200	1539	87.1	216.0 / 202.0	1014
15	60	150	150	1857	89.1	216.0 / 202.0	1014
18.5	50	250	250	1539	87.1	284.5 / 270.5	1058
18.5	60	200	200	1857	89.1	284.5 / 270.5	1058

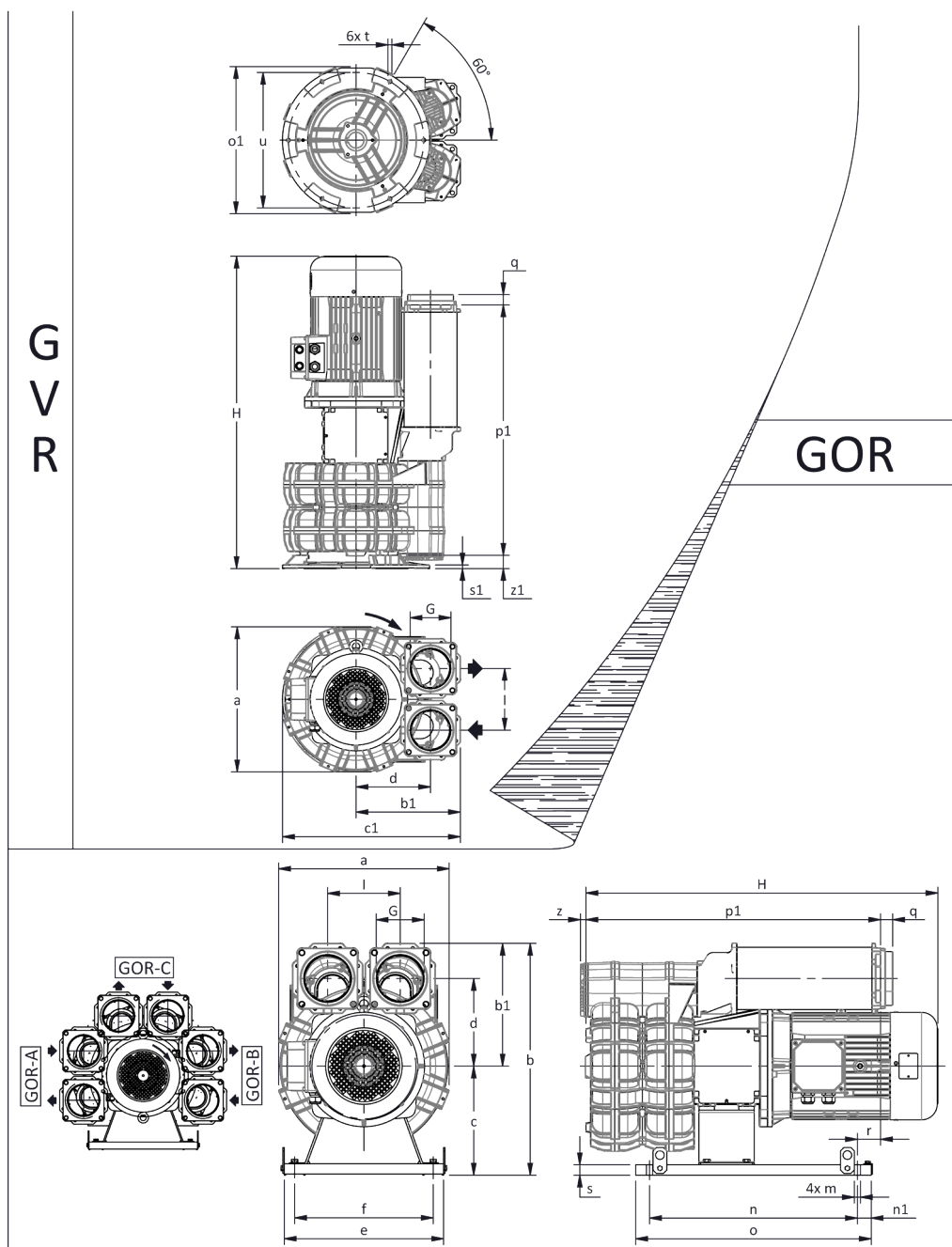
1. Noise level measured at a distance of 1 m with ducted intake and delivery, in accordance with Standard ISO 3744.
 2. See figure "dimensions" at following page.



Tolerance on indicated values ± 10%.
 Data subject to change without notice.
 Curves referring to air at a temperature of 20 °C and atmospheric pressure of 1013 mbar (abs).



Dimensions



Configuration with a vertical silencer is only available with the CK accessory kit; for all assembly options refer to FPZ.
 Dimensions in mm
 NOT Binding

a	b	b1	c	c1	d	d1	e	f	G	l	l1	l2	m				
516	700	385	315	643	283	-	460	400	G 5"	235	-	-	18				
n	n1	o	o1	p1	p2	q	r	r1	s	s1	t	u	v	w	x	z	z1
600	40	680	500	858	-	35	75	-	30	12	13	460	-	-	-	16	45

INSTALLATION

- For proper operation of the machine, it must be provided with a suction FILTER and a vacuum/pressure limiting VALVE.
- Other accessories are available on request.
- Permissible ambient and fluid temperature in suction from -15 °C to +40 °C.
- Read the instruction manual carefully before installing the machine.