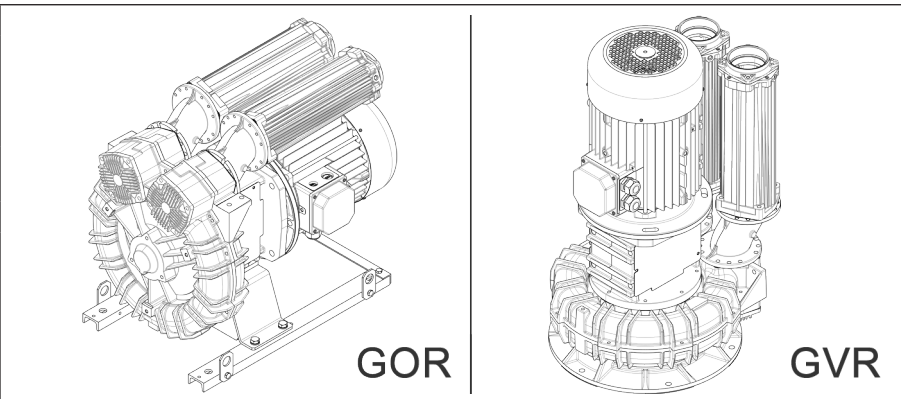


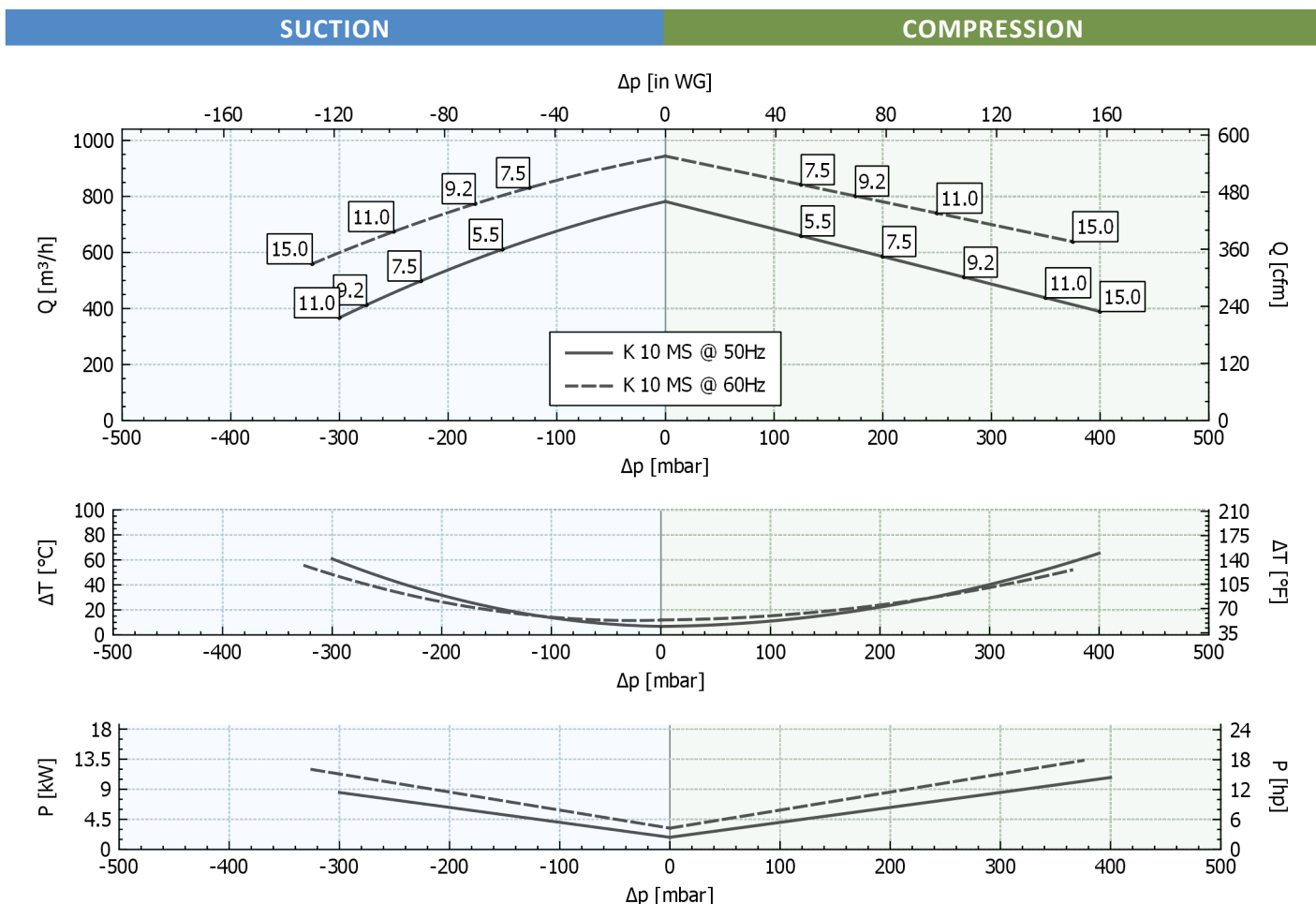
<b>Technical Characteristics</b>
<ul style="list-style-type: none"> <li>- Aluminum alloy construction</li> <li>- Smooth operation</li> <li>- Maintenance free</li> </ul>
<b>Electric Motor</b>
<ul style="list-style-type: none"> <li>- Motors with IP 55 protection rating.</li> <li>- Class F(B) insulation</li> </ul>
<b>Options</b>
<ul style="list-style-type: none"> <li>- Special voltages (IEC 60038)</li> <li>- Surface treatments</li> <li>- Increased seal version</li> <li>- VFD compatible motor</li> <li>- PTO/PTC thermal protector</li> </ul>



**Performance Table**

P <sub>n</sub> [kW]	Frequency [Hz]	Δp <sub>max</sub> [mbar]		Q <sub>max</sub> [m³/h]	Leq¹ [dB(A)]	Weight [kg] GOR / GVR	H² [mm]
		Suction	Compression				
5.5	50	150	125	782	77.4	105.0 / 92.5	653
7.5	50	225	200	782	77.4	122.0 / 109.5	714
7.5	60	125	125	944	79.4	122.0 / 109.5	714
9.2	50	275	275	782	77.4	128.0 / 115.5	752
9.2	60	175	175	944	79.4	128.0 / 115.5	752
11	50	300	350	782	77.4	132.0 / 119.5	752
11	60	250	250	944	79.4	132.0 / 119.5	752
15	50	-	400	782	77.4	172.5 / 158.5	856
15	60	325	375	944	79.4	172.5 / 158.5	856

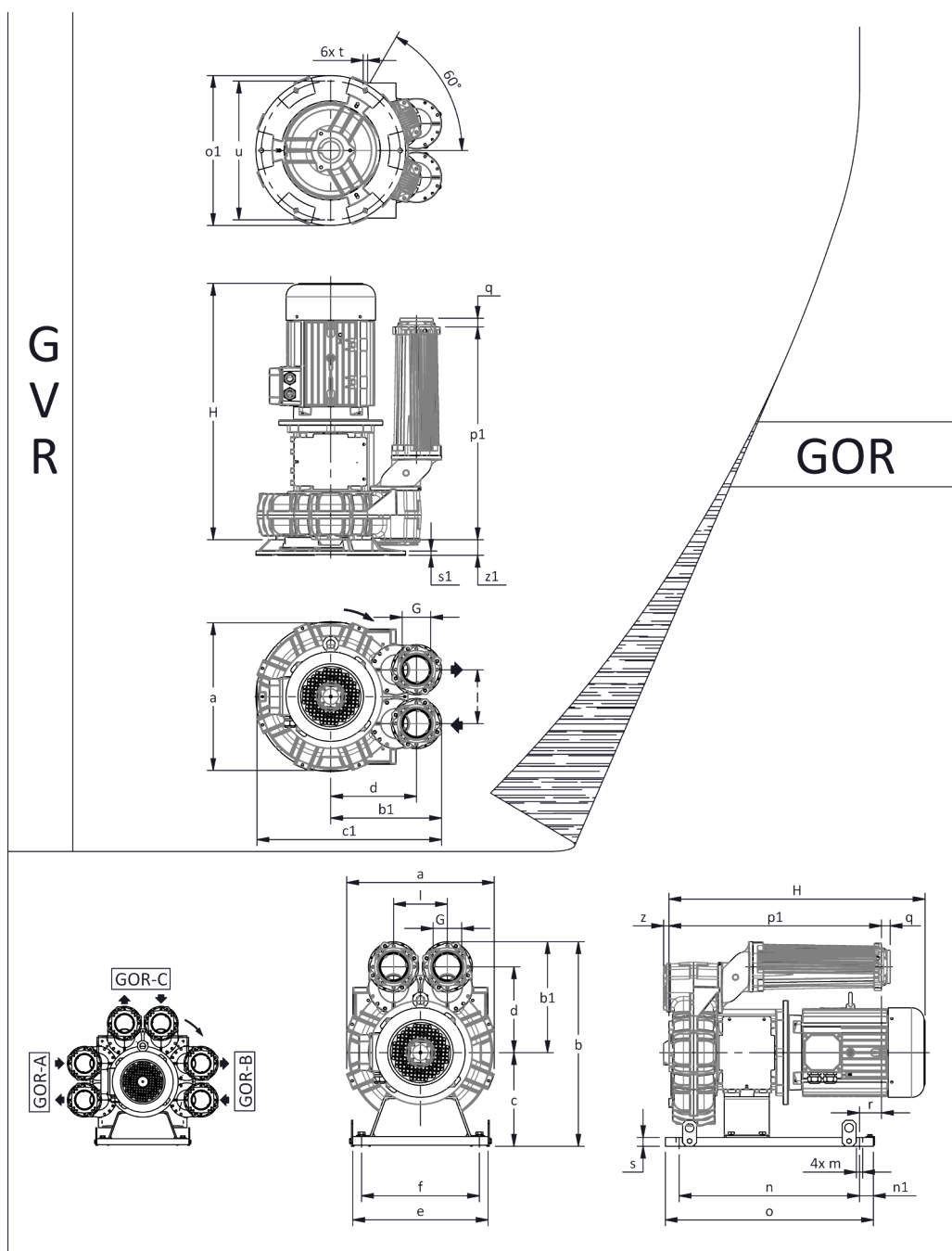
1. Noise level measured at a distance of 1 m with ducted intake and delivery, in accordance with Standard ISO 3744.  
 2. See figure "dimensions" at following page.



Tolerance on indicated values ± 10%.  
 Data subject to change without notice.  
 Curves referring to air at a temperature of 20 °C and atmospheric pressure of 1013 mbar (abs).



## Dimensions



Configuration with a vertical silencer is only available with the CK accessory kit; for all assembly options refer to FPZ.

Dimensions in mm  
 NOT Binding

a	b	b1	c	c1	d	d1	e	f	G	l	l1	l2	m				
516	675	360	315	618	275	-	460	400	G 4"	182	-	-	18				
n	n1	o	o1	p1	p2	q	r	r1	s	s1	t	u	v	w	x	z	z1
600	40	680	500	702	-	25	75	-	30	12	13	460	-	-	-	16	45

## INSTALLATION

- For proper operation of the machine, it must be provided with a suction FILTER and a vacuum/pressure limiting VALVE.
- Other accessories are available on request.
- Permissible ambient and fluid temperature in suction from -15 °C to +40 °C.
- Read the instruction manual carefully before installing the machine.