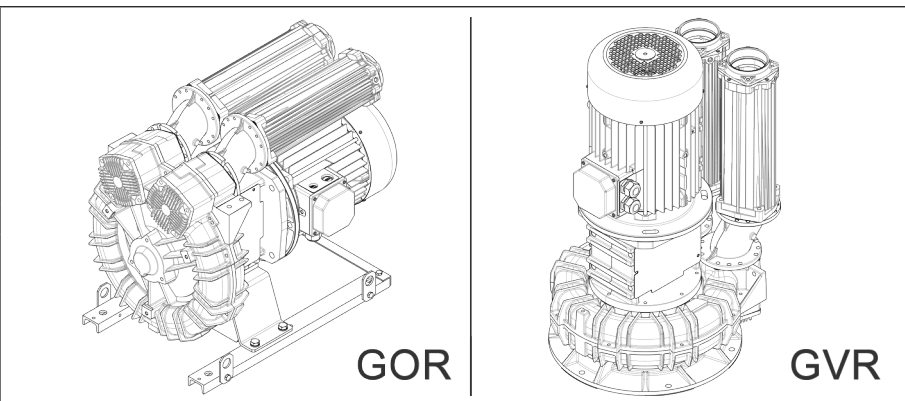


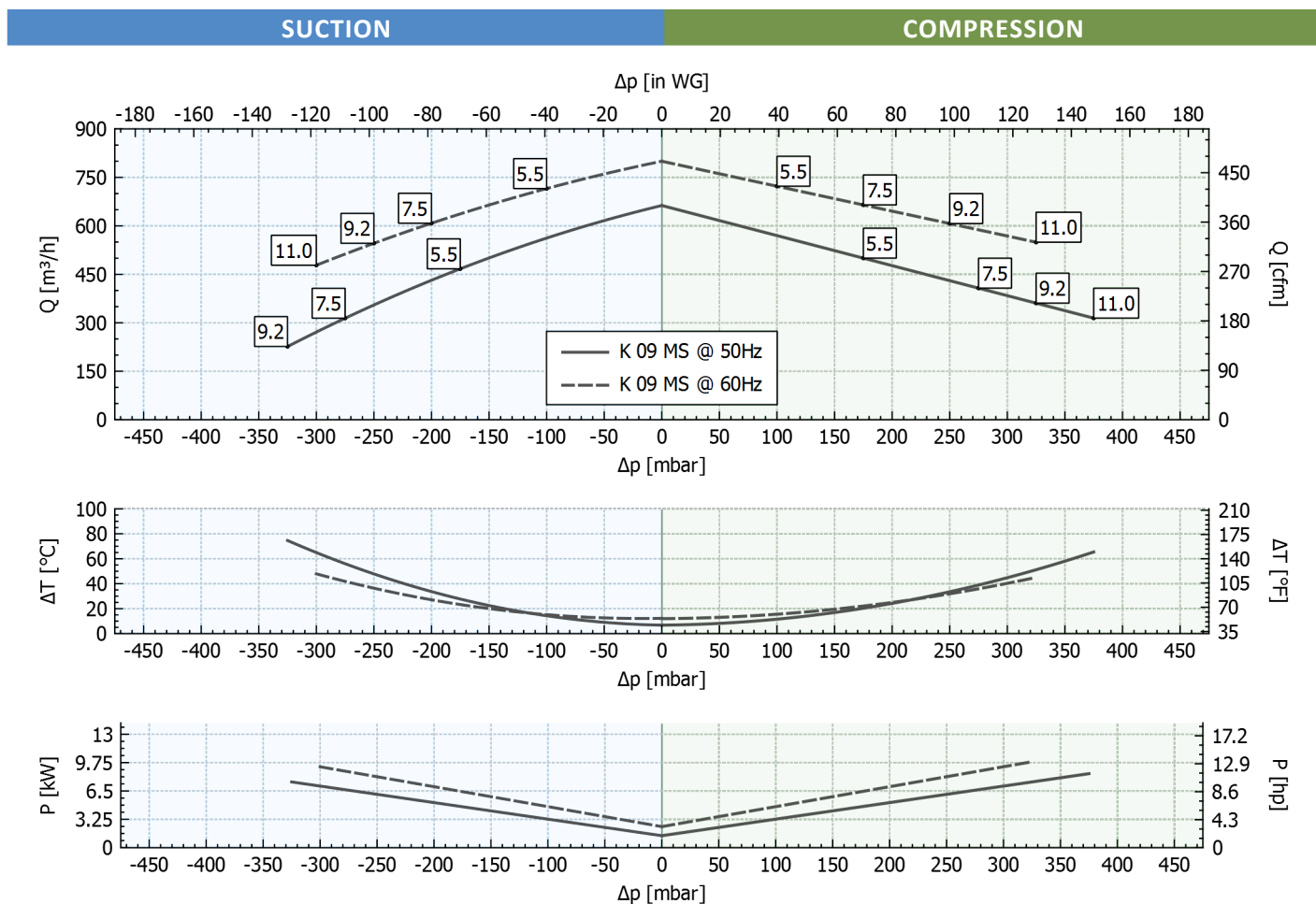
|   |
|---|
| <b>Technical Characteristics</b>  |
| <ul style="list-style-type: none"> <li>- Aluminum alloy construction</li> <li>- Smooth operation</li> <li>- Maintenance free</li> </ul>   |
| <b>Electric Motor</b>   |
| <ul style="list-style-type: none"> <li>- Motors with IP 55 protection rating.</li> <li>- Class F(B) insulation</li> </ul>   |
| <b>Options</b>  |
| <ul style="list-style-type: none"> <li>- Special voltages (IEC 60038)</li> <li>- Surface treatments</li> <li>- Increased seal version</li> <li>- VFD compatible motor</li> <li>- PTO/PTC thermal protector</li> </ul> |



**Performance Table**

| P <sub>n</sub> [kW] | Frequency [Hz] | Δp <sub>max</sub> [mbar] |             | Q <sub>max</sub> [m <sup>3</sup> /h] | Leq <sup>1</sup> [dB(A)] | Weight [kg]<br>GOR / GVR | H <sup>2</sup> [mm] |
|---------------------|----------------|--------------------------|-------------|--------------------------------------|--------------------------|--------------------------|---------------------|
|                     |                | Suction                  | Compression |                                      |                          |                          |                     |
| 5.5                 | 50             | 175                      | 175         | 663                                  | 77.1                     | 103.5 / 91.0             | 653                 |
| 5.5                 | 60             | 100                      | 100         | 800                                  | 79.1                     | 103.5 / 91.0             | 653                 |
| 7.5                 | 50             | 275                      | 275         | 663                                  | 77.1                     | 121.0 / 108.0            | 714                 |
| 7.5                 | 60             | 200                      | 175         | 800                                  | 79.1                     | 121.0 / 108.0            | 714                 |
| 9.2                 | 50             | 325                      | 325         | 663                                  | 77.1                     | 127.0 / 114.0            | 752                 |
| 9.2                 | 60             | 250                      | 250         | 800                                  | 79.1                     | 127.0 / 114.0            | 752                 |
| 11                  | 50             | -                        | 375         | 663                                  | 77.1                     | 131.0 / 118.0            | 752                 |
| 11                  | 60             | 300                      | 325         | 800                                  | 79.1                     | 131.0 / 118.0            | 752                 |

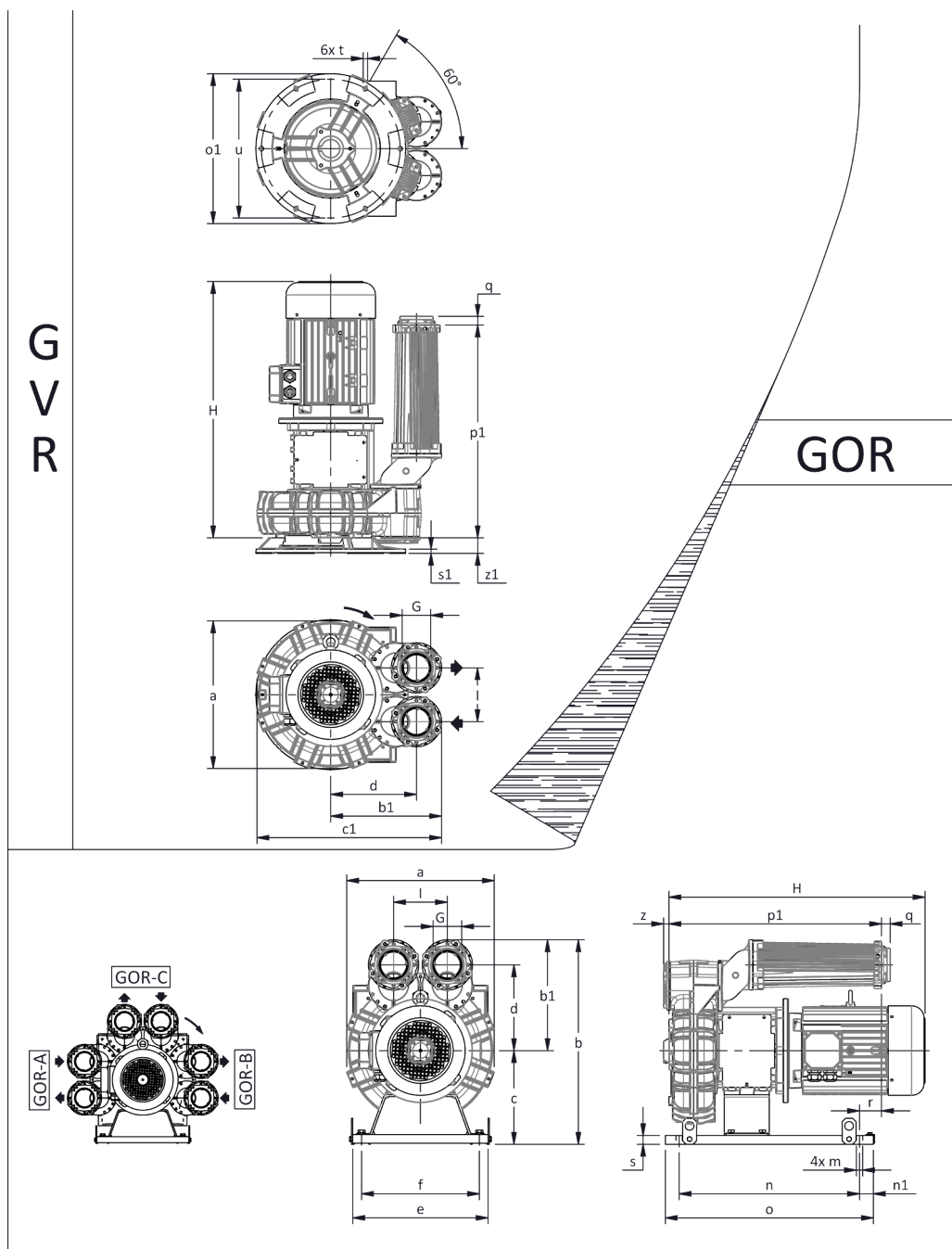
1. Noise level measured at a distance of 1 m with ducted intake and delivery, in accordance with Standard ISO 3744.  
 2. See figure "dimensions" at following page.



Tolerance on indicated values ± 10%.  
 Data subject to change without notice.  
 Curves referring to air at a temperature of 20 °C and atmospheric pressure of 1013 mbar (abs).



## Dimensions



Configuration with a vertical silencer is only available with the CK accessory kit; for all assembly options refer to FPZ.

Dimensions in mm

NOT Binding

|     |     |     |     |     |     |    |     |     |      |     |    |     |    |   |   |    |    |
|-----|-----|-----|-----|-----|-----|----|-----|-----|------|-----|----|-----|----|---|---|----|----|
| a   | b   | b1  | c   | c1  | d   | d1 | e   | f   | G    | l   | l1 | l2  | m  |   |   |    |    |
| 492 | 675 | 360 | 315 | 606 | 275 | -  | 460 | 400 | G 4" | 182 | -  | -   | 18 |   |   |    |    |
| n   | n1  | o   | o1  | p1  | p2  | q  | r   | r1  | s    | s1  | t  | u   | v  | w | x | z  | z1 |
| 600 | 40  | 680 | 500 | 702 | -   | 25 | 75  | -   | 30   | 12  | 13 | 460 | -  | - | - | 16 | 45 |

## INSTALLATION

- For proper operation of the machine, it must be provided with a suction FILTER and a vacuum/pressure limiting VALVE.
- Other accessories are available on request.
- Permissible ambient and fluid temperature in suction from -15 °C to +40 °C.
- Read the instruction manual carefully before installing the machine.