

TS-26 SENSING EDGES

Medium profile, end caps available
Immediate actuation, 3/8 inch overtravel



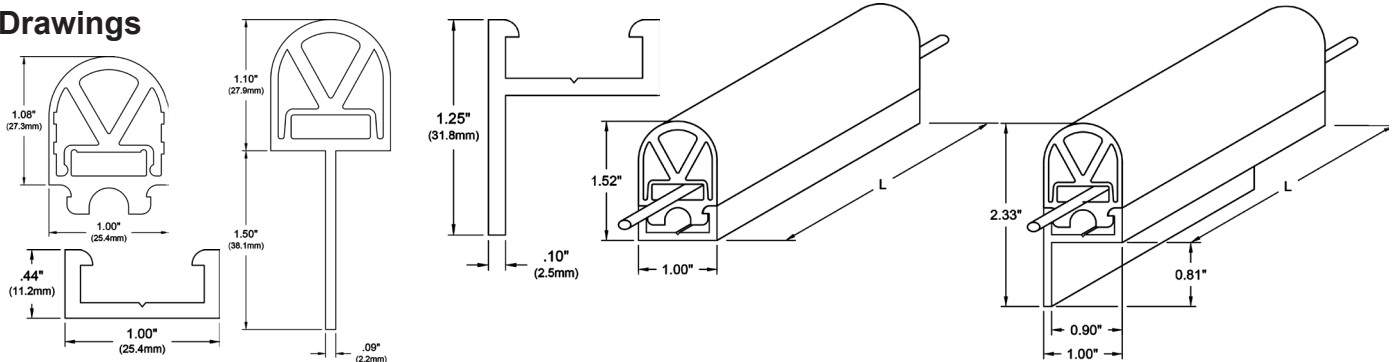
The **TS-26 Sensing Edge** is a general-purpose, medium profile, pressure-sensitive edge. It provides minimum compliance before activation, and about 3/8 inch of overtravel cushioning after activation. This product is excellent for applications requiring side activation. TS-26 Edges are available in two mounting configurations: snap-in channel-mount (flat or angle), clamp-mount.

Housing is Santoprene TPE (TS-26 and TS-26T). Both materials are resistant to water, oil, hydraulic fluids, and coolants. The internal switching elements are rated for millions of operations at any point. All TS-26 Sensing Edges are supplied with 4 conductor, fail-safe wiring and are compatible with Tapeswitch Interface Controllers.

Features & Benefits

- Low compliance for immediate activation
- 35 percent overtravel after activation
- Excellent side activation properties
- Standard 4 conductor fail-safe wiring

Drawings



Typical Applications

- Pinch protection on machinery edges
- Obstruction detection on medical tables
- Collision sensors on AGVs
- Obstruction detection on automatic doors and gates
- Contact sensing on large moving machinery
- Applications requiring side activation

Specifications

Actuation Force	4.5 lbs (20 N) nominal
Overtravel	0.35 in. (9 mm) after activation
Recommended Voltage & Current	28 VAC or VDC at 1.0 amps max.
Exterior Housing	Santoprene TPE for TS-26 and TS-26T
Mounting Options	Aluminum channel (flat or angle) for TS-26 PVC channel (flat only) for TS-26 Clamp mounting for TS-26T only
End Caps	End caps are black
Colors	TS-26 Black, Red & Yellow TS-26T Red
Lead Wiring	2 x 20/2 AWG, Dri-Run, 72 in. long, 3/16 in. dia.

While every effort has been made to ensure the accuracy of the information provided, no liability can be taken for any errors or omission. Tapeswitch Corporation reserves the right to alter specifications and introduce improvements without prior notice.

