

Signal Beacons

INSTRUCTION MANUAL Digest Version

TYPE NE-24A

Notice to Customer Thank you very much for purchasing our Patlite products. Request the installation and wiring to be performed by a professional contractor if construction work is involved.

- Prior to installation, read this manual thoroughly before using this product to ensure correct use.
- In addition, please store this manual for future reference when performing maintenance, repairs or inspections.
- Visit our homepage (www.patlite.com/jp/) and download the "Complete Operation Manual: NE-24A" to find out more about the operating method and features.
- If there are any questions concerning this product, refer to the contact information at the end of this document and contact your nearest PATLITE Sales Representative.

CE Marking

- This product conforms to EN standards and shows the CE Marking. This product has been tested and found to comply with the limits for a Class A device, pursuant to EMC DIRECTIVE. These limits are designed to provide reasonable protection against harmful interference when the equipment is operated in a commercial environment. This product must not be used in residential areas.

1 Read this First (Safety Precautions)

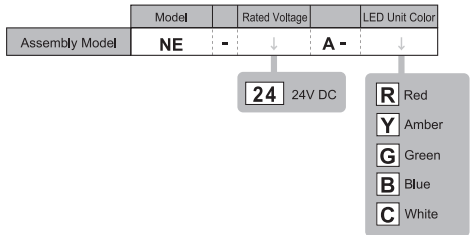
Warning Failure to observe the following may result in death or serious injury.

- To prevent from short-circuits or damage, observe the following:
 - Be sure the power is disconnected before replacement or repair, including the replacement of the fuse.
 - Use this product in a properly maintained condition. (Replace or repair if the globe, case, etc. are damaged.)
- If installing this product requires construction work, ask a specialist in order to avoid fire, or personal injury.
- When this product is used for security purposes, it should be inspected daily. In case a malfunction should occur, it is recommended that you use this product together with other security products.
- After installation, do not use this product to climb up onto the equipment with. Failure to comply will result in product damage and/or falling off the machinery.

Caution Failure to comply with the following points may result in injury, physical loss or damage.

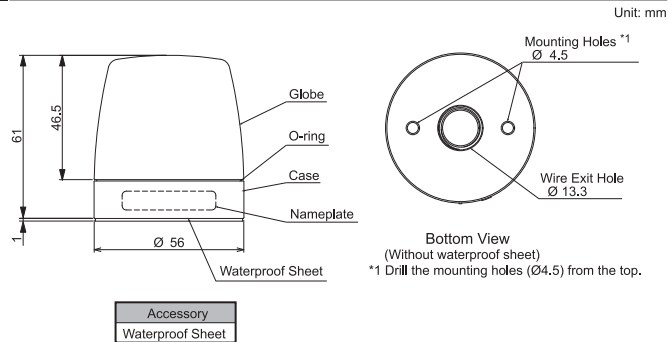
- Be sure to put a fuse in the wiring circuit between the power source and equipment for protection. If a fuse is not added, it may result in product and/or equipment failure.
- Be sure to prevent electrostatic damage due to discharge when working with this product for wiring, exchanging units, setting up parameters, etc. by discharging static electricity on your body, etc.
- Do not disassemble or detach during operation.
- Do not push on any internal parts when wiring.

2 Model Number Configuration



Model Number Example **NE-24A-R**
 • 24 V DC • Red

3 Part Names and Outer Appearance

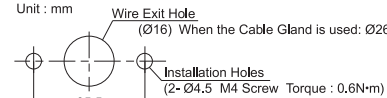


4 Installation

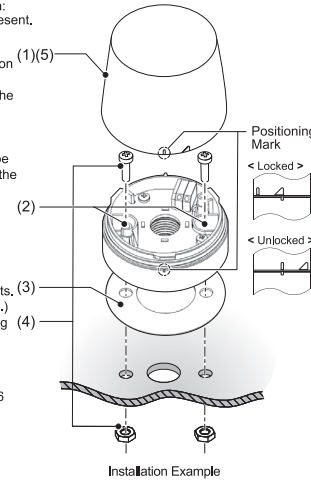
- The following requirements are necessary for proper installation:
 - Install the signal beacons where excessive vibration is not present.
 - Install the signal beacons on a sturdy surface.
 - Install the signal beacons on a level surface.
- When it is necessary to waterproof the backside of the installation surface:
 - Provide a sealant coating around the nuts of the backside of the installation surface.
 - Provide a sealant coating around the wire exit hole, or use a Cable Gland.
- After locking the globe, check that there is no gap between globe and body. Being a gap may cause water intrusion or falling off the globe.

- (1) Unlock the globe by holding and rotating it in a counter-clockwise direction, then lift it up.
- (2) Drill the mounting holes(Ø4.5) from the top on the case.
- (3) Peel off the adhesive paper from the waterproof sheet and apply it to the case.
- (4) Affix the product to the installation surface with screws and nuts. (Installation screws and nuts are not included with this product.)
- (5) After mounting the case, fit the globe by aligning the positioning marks and lock it by rotating in a clockwise direction.

Installation Dimensions



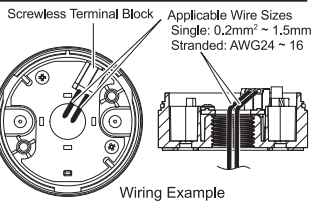
* When the Cable Gland is used, the hole must be large enough for it to fit through. The recommended Cable Gland size is as follows:
 screw size: M16x1.5; screw length: shorter than 11mm;
 outer diameter: less than 25mm;
 material: plastic. (Torque : 3N·m)



- This product is for indoor use only. (Do not use it outdoors.)
- Do not leave the product, or use it without globe installed.
- Do not apply excessive force when mounting/removing the globe. Failure to comply will result in damage.
- Use a soft cloth moistened with water to clean the globe or case. (Do not use thinner, benzine, gasoline or oil.)
- The waterproof sheet must be used before installation.
- This product has a 1mm thick waterproof sheet at the bottom of the case. However, because installation surface unevenness may cause a lack of waterproofing protection, it is recommended to apply sealant between the unit and the installation surface to maintain waterproof conditions.

5 Wiring

- (1) Remove the globe by unscrewing it in a counter-clockwise direction.
 - (2) Connect the wires to the screwless terminal block.
 - (3) Attach the globe by screwing it in a clockwise direction.
- * The terminals have no polarity.



Screwless Terminal Block wiring method

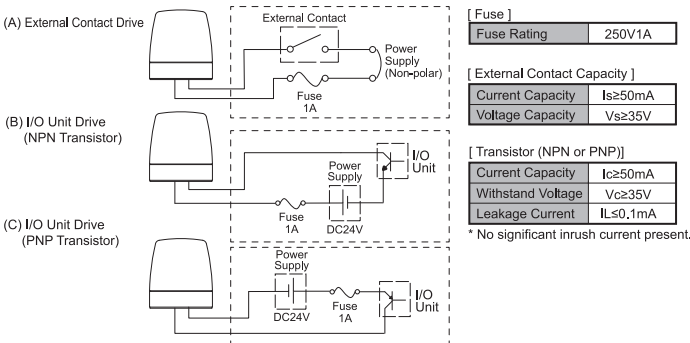
- (1) A minus driver etc. is used to pry the lever slot of the Terminal Block open, by pushing straight onto the lever slot.
 - (2) The stripped side of the lead wire is inserted in the slot.
 - (3) The driver is removed to release the lever. (Check to make sure the lead wire has been locked in place.)
- Strip 8 mm of wire insulation from the wire to insert it in the Terminal Block.
 - The minus driver blade should be at about 2mm by 0.5mm in size.

- Make sure the power is OFF before wiring. A short circuit may damage internal circuits.
- Ensure the proper working voltage is used. Improper voltage will damage internal circuits.
- Do not pull the wire out or push it into the case.
- Be sure the wiring is done properly. Any mistake in wiring may result in damage.
- Be sure to put a fuse in the wiring circuit between the power source and equipment for protection. If a fuse is not added, it may result in product and/or equipment failure.
- Do not apply excessive force to the screwless terminal block during wiring. It will be the cause of the failure.

Notice Make sure that the wires do not sag internally. There is a risk that the light intensity may be reduced by hitting the LED.

Wiring Example

Wiring examples vary depending on the driving method.



6 Specifications

Model	NE-24A-□
Rated Voltage	24V DC (Non-polar)
Current Consumption (Max.)	26mA
Mounting Direction	All Directions
Operating Temperature Range (Relative Humidity)	-30°C ~ +50°C (Less than 90%RH, Non-condensation)
Protection Rating	IP 65 ¹ NEMA TYPE 4X, 13
Mass	0.06kg

¹ Condition to satisfy IP66/67: Only when this product is installed with a Cable Gland on a flat surface.

- Conformity Standards
 - EMC Directive (EN61000-6-4, EN61000-6-2)
 - UL508, CSA-C22.2 No.14
- Conformity requirements for the UL Standard:
 - Maximum surrounding air temperature rating of 50°C
 - This product is designed for use on a flat surface for a **Type 1 Enclosure**.
 - Use a **class 2** power supply specified in the guidelines under **UL1310**.
 - For use in Pollution Degree 2 Environment.
- Conformity requirements for the CE Marking:
 - This product conforms to EN standards and shows the CE Marking. This product has been tested and found to comply with the limits for a Class A device, pursuant to EMC DIRECTIVE. These limits are designed to provide reasonable protection against harmful interference when the equipment is operated in a commercial environment. This product must not be used in residential areas.

(Note) • Dimensions and specifications may change without notice due to continual product improvement.
 • PATLITE and the PATLITE logo is a trademark, or registered trademark of the PATLITE Corporation of Japan and each country.

(Importer for EU)
PATLITE Europe GmbH Am Soeldnermoos 8, D-85399 Hallbergmoos, Germany

世界中に「安心・安全・実業」をお届けする

株式会社 **パトライト**

www.patlite.co.jp

J2F

〔受付〕月～金 9:00～17:00 ●技術・修理相談窓口（無料）：0120-497-090
土・日・祝日・当社休業日を除く
※ご注文・価格・納期等は、販売店または各営業所拠点にお問い合わせください。

PATLITE Corporation G2J

PATLITE Corporation ※Head office	■ www.patlite.com/
PATLITE (U.S.A.) Corporation	■ www.patlite.com/
PATLITE Europe GmbH ※Germany	■ www.patlite.eu/
PATLITE (SINGAPORE) PTE LTD	■ www.patlite-ap.com/
PATLITE (CHINA) Corporation	■ www.patlite.cn/
PATLITE KOREA CO., LTD.	■ www.patlite.co.kr/
PATLITE TAIWAN CO., LTD.	■ www.patlite.tw/
PATLITE (THAILAND) CO., LTD.	■ www.patlite.co.th/
PATLITE MEXICO S.A. de C.V.	■ www.patlite.com.mx/