

LS7

LS7

Network

Signal Tower

Signal Light

Revolving Warming Light

Cube Tower

Audibles

Hybrid Signaling Devices

LED Illumination

Options

Lighting model

LS7-WH model
Lighting (Wire model)
LS7-WC model
Lighting on (M12 Connector model)

Buzzer model

Model LS7-FBWH
Lighting / Flashing / Buzzer (2 sounds) (Wire model)
Model LS7-BWC
Lighting / Buzzer (1 sound) (M12 Connector model)

Colors

Red, Amber, Green, Blue, White

Globe

Polycarbonate lens with high shock resistance and heat resistance

The LS7 Series features a sleek, smooth body design ideal for hygienic and sanitary cleaning applications. Models available with an M12 connector.

- IP65 standard; IP54 with audible alarm
- Smooth-surface, polycarbonate, shock resistant body design.
- Audible alarm sound options can be heard above machine noise
- High-contrast LED visibility
- Polycarbonate brackets available



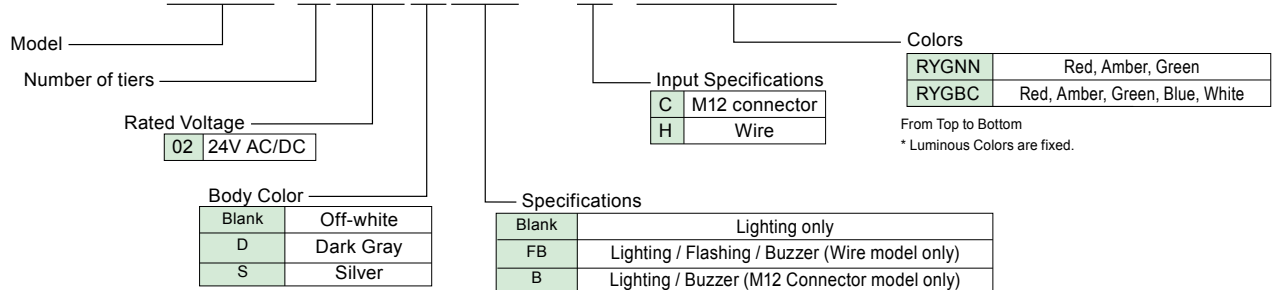
(Buzzer model IP54)

Specifications

Model	Number of Luminous Units	Rated Voltage	Mounting Method	Rated Current Consumption	Maximum Current Consumption	Maximum sound pressure	Operation Temperature Range	Protection Rating	Mass (±10%)	Body Color
LS7-302	3	24V DC (±10%)	Direct Mounting (Indoors Only)	Red: 20mA	Red: 35mA	Buzzer 1, approximately 82dB, Wire model (Fast Intermittent) M12 connector model (Continuous beep)	-30°C	Lighting model IP65	With buzzer: 0.26kg	Off-white (Blank) Off-darkgray (D) Silver (S)
LS7-502	5			Amber, Green, Blue, White: 30mA	Amber, Green, Blue, White: 40mA	Buzzer 2, approximately 85dB, Wire model (Fast Alternating Intermittent) M12 connector model (No Buzzer)	60°C	Buzzer model IP54	Without buzzer: 0.35kg	Off-white (Blank) Off-darkgray (D) Silver (S)

Model Code

LS7-502SFBWH-RYGBC



* F Lighting / Flashing model has H wire only.
* For C (M12 Connector model), the buzzer sound is continuous.

Example: LS7-302WC-RYGNN

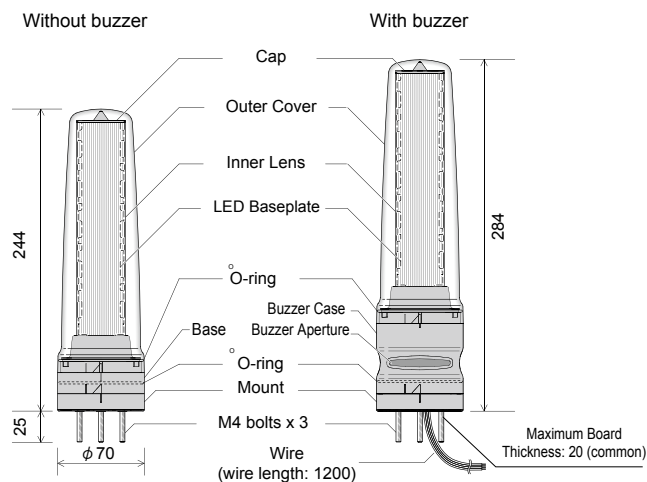
- Body color: Off-white
- Buzzer availability: not available
- LED Color: Red Amber Green (none) (none)
- Illumination specification - Lighting only
- Input specification M12 connector

Optional Parts

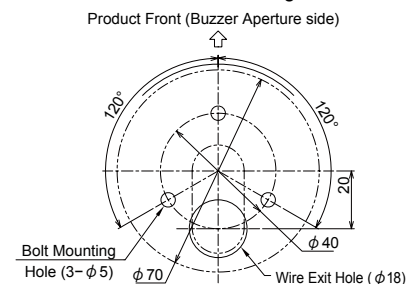
For details, see pages 182 to 187.

Optional Parts	Model
Platform Bracket (Off-white)	Model SZ-100
Platform Bracket (Off-darkgray)	Model SZ-100D
Platform Bracket (Silver)	Model SZ-100S
Wallmount Bracket (Off-white)	Model SZ-110
Wallmount Bracket (Off-darkgray)	Model SZ-110D
Wallmount Bracket (Silver)	Model SZ-110S
Multi-mount Bracket (Off-white)	Model SZ-130
Multi-mount Bracket (Off-darkgray)	Model SZ-130D
Multi-mount Bracket (silver)	Model SZ-130S
Connector with cable, cable length 2m (Omron model)	SZ-120-02 (XS2F-D821-DH0-R)
Connector with cable, cable length 5m (Omron model)	SZ-120-05 (XS2F-D821-GH0-R)
Connector with cable, cable length 10m (Omron model)	SZ-120-10 (XS2F-D821-JH0-R)

Dimensions (mm)



Installation Dimension Drawings



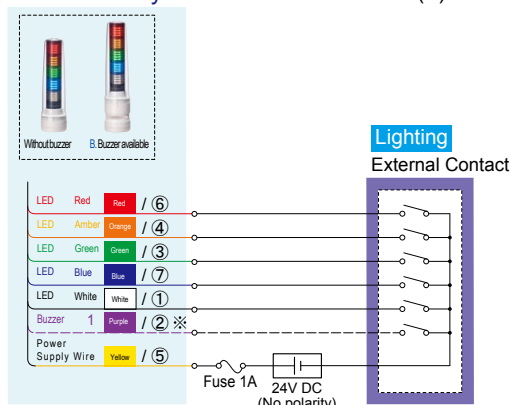
Wiring Diagram

LS7-□□□□ (WH) (WC) (BWC) model

■ Without Lighting / Audible, B. Audible available

Contact Relay

Model: LS7-502□(B)W□

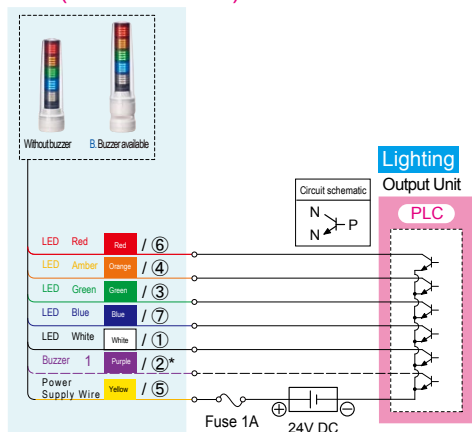


* Only products with audible available

Example) BWC model

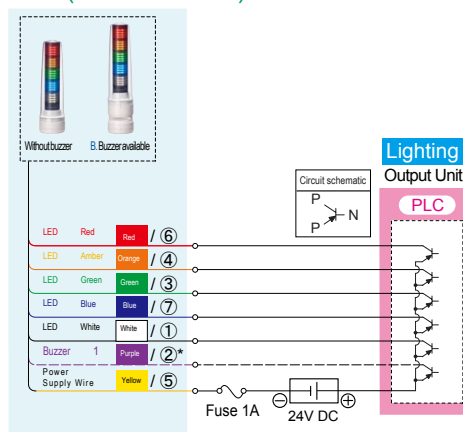
	Tone	Sound pressure
Audible 1 (Purple)	Continuous Beep	70dB - 82dB

PLC (NPN transistor)



* Only products with audible available

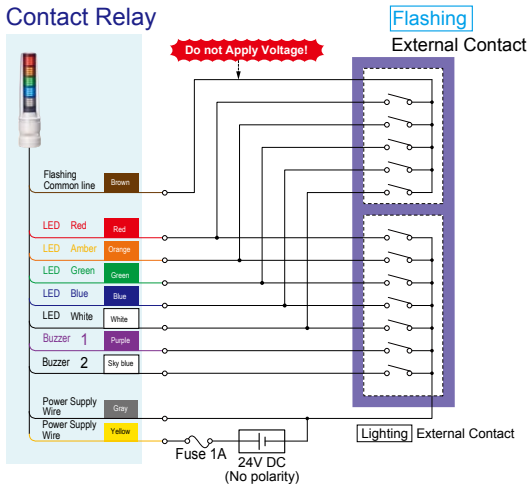
PLC (PNP transistor)



* Only products with audible available

■ F. Lighting / Flashing. B. Audible available Model: LS7-502□FBWH

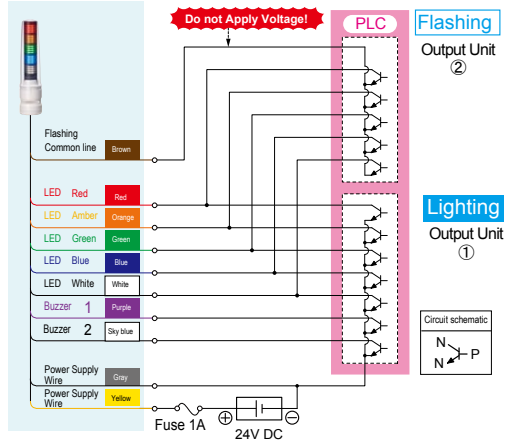
Contact Relay



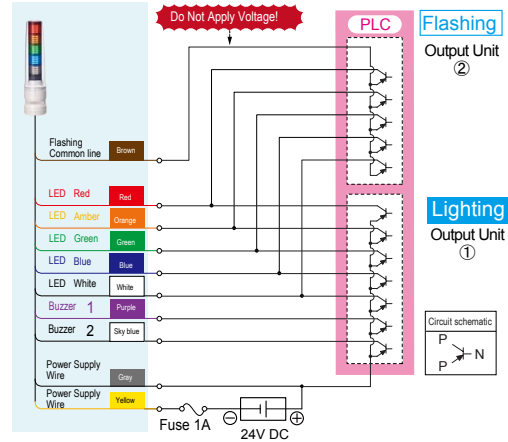
Example) FBWH model

	Tone	Sound pressure
Audible 1 (Purple)	Fast Intermittent	70dB - 82dB
Audible 2 (Sky blue)	Fast Alternating Intermittent	70dB - 85dB

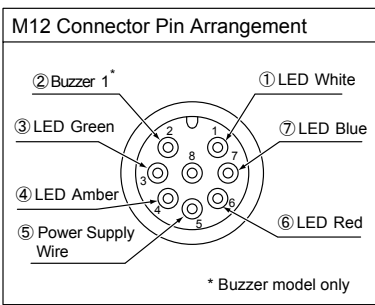
PLC (NPN transistor)



PLC (PNP transistor)



Note: To turn on the lamp and flash the lamp, you need to prepare two separate output units for turning the lamp on and for flashing the lamp.



External Contact specifications

■ Contact Relay (switch)

Rated Load Voltage	Rated Amperes	
	LED	Buzzer
24V DC	100mA or more per tier	200mA or higher

■ PLC Output Unit

Rated Load Voltage	Rated Amperes		Leakage Current
	LED	Buzzer	
24V DC	100mA or more per tier	200mA or higher	0.1mA or less