

GAST/JUN-AIR

GAST MFG, INC. & JUN-AIR
 A Unit of IDEX Corporation
 Post Office Box 97
 Benton Harbor, Michigan 49022 U.S.A.
 Ph: 269/926-6171
 Fax: 269/925-8288

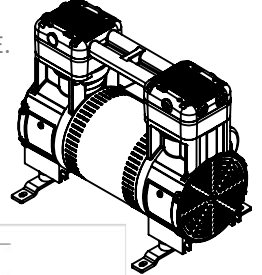
PART NUMBER: RTD1096
 REVISION: B

PRODUCT SPECIFICATIONS

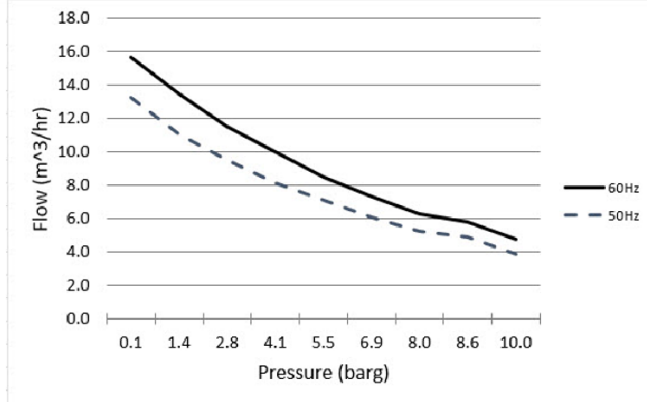
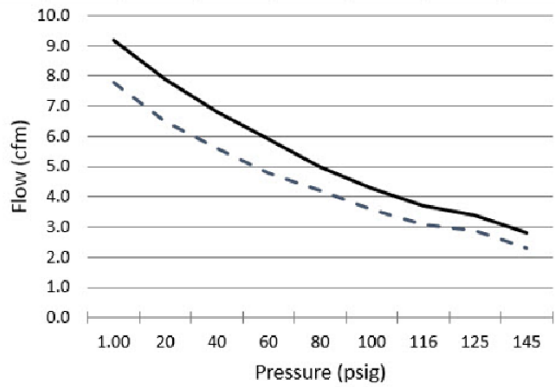
MODEL NO.	MOTOR	RPM		AMPS		HP	kW	NET WT.		CAPACITOR	
		60Hz	50Hz	60Hz	50Hz			lbs.	kg	mfd.	VOLT
120R665-P101M-N800NX	200-240V; 60Hz 200-230V; 50Hz	1790	1490	5.5	6.5	2.0	1.3	59	26.8	35	370

SOUND LEVEL LESS THAN 76 dB(A)
 NORMAL AMBIENT +5 °C to +40 °C
 RELATIVE HUMIDITY 20% - 80%

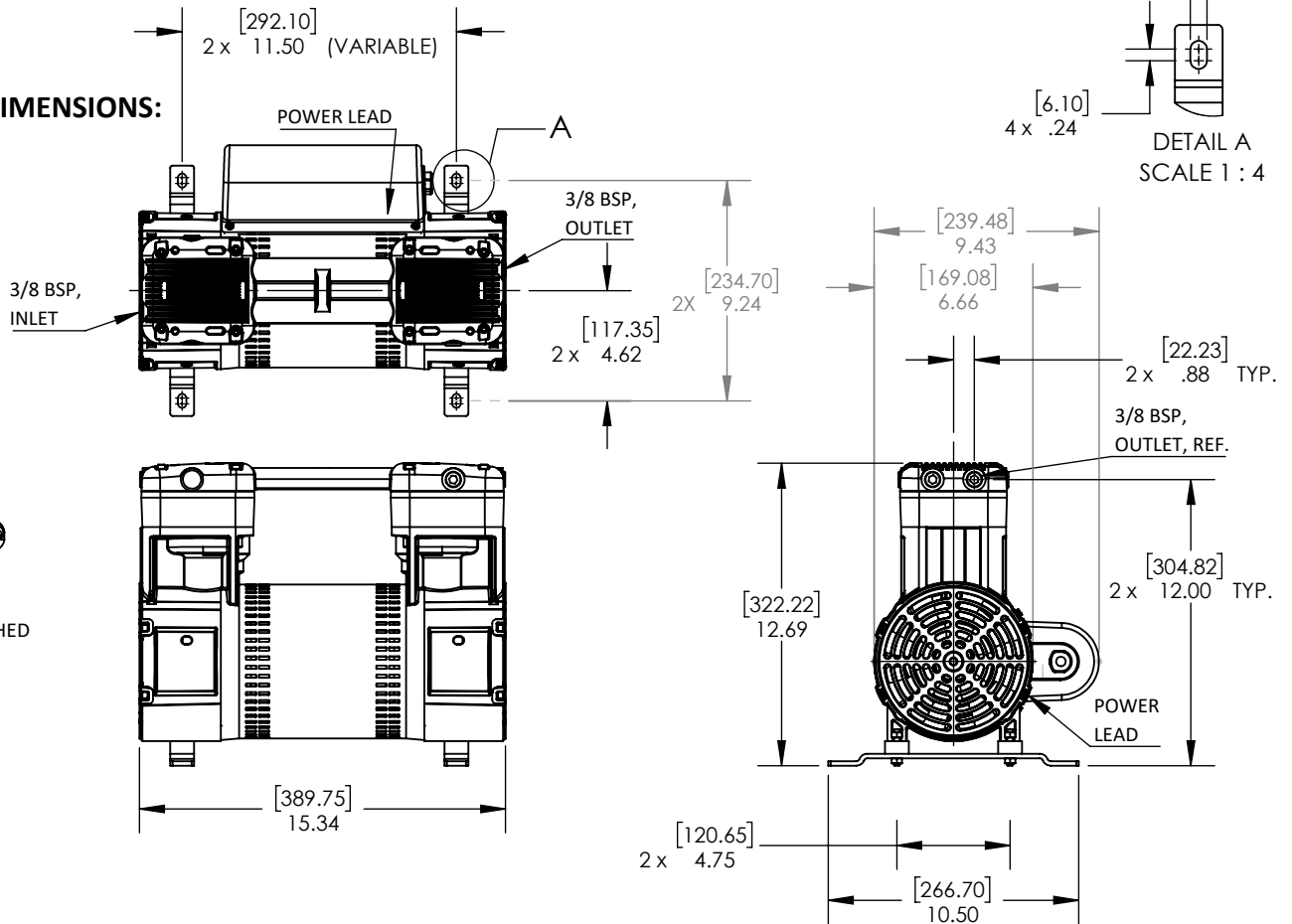
NOTES:
 1. TECHNICAL DATA SUBJECT TO CHANGE WITHOUT NOTICE.
 2. ALL DIMENSIONS ARE FOR REFERENCE ONLY.
 3. FILTER SHIPPED UNATTACHED.



PRODUCT PERFORMANCE:



PRODUCT DIMENSIONS:



FILTER,
UNATTACHED