



GAST MANUFACTURING, INC.  
 A Unit of IDEX Corporation  
 Post Office Box 97  
 Benton Harbor, Michigan  
 Ph: 269/926-6171  
 Fax: 269/925-8288

PART NUMBER:  
 RTD156  
 SHEET 1 of 2

REV.  
 E

Product Specifications

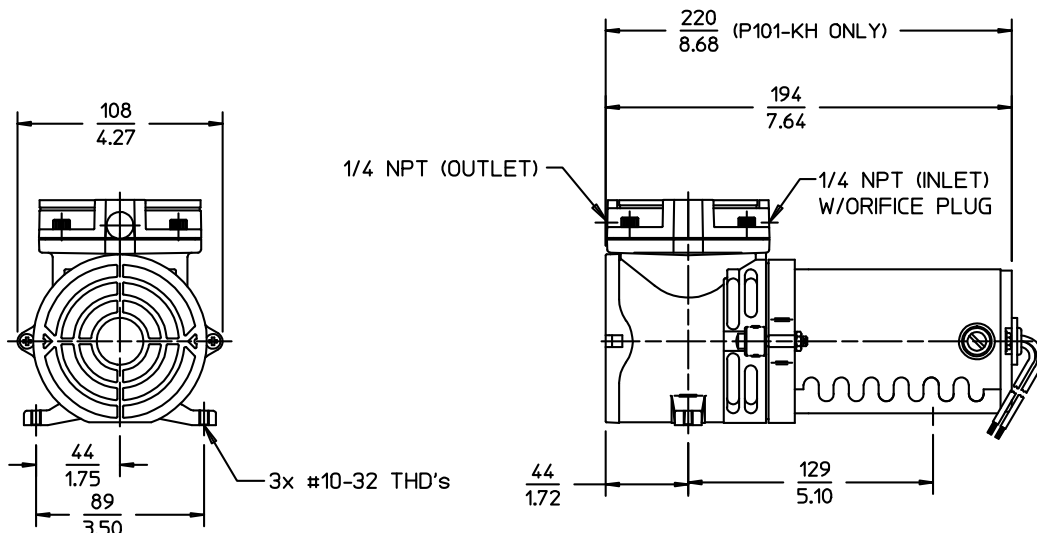
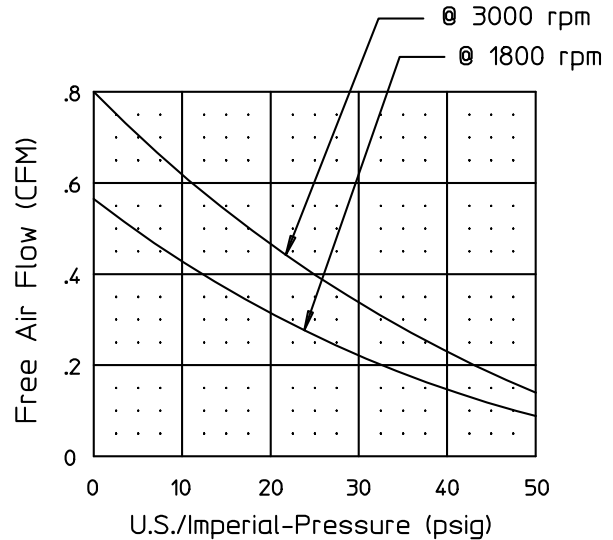
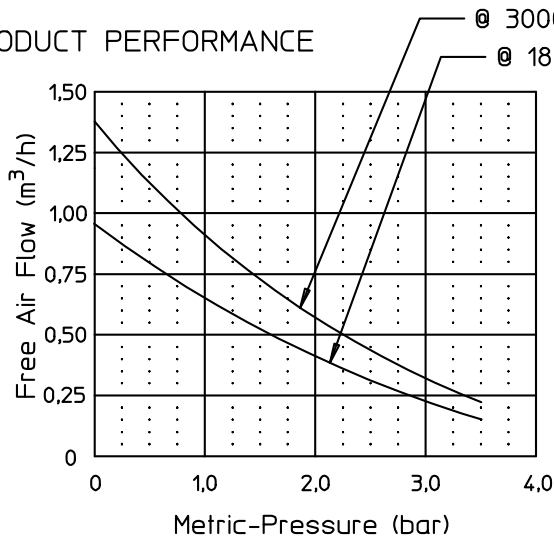
| Model Number | Motor  | RPM  | HP   | kW   | Net Wt. |     | AMPS | CAPACITOR<br>mfd. - volts |
|--------------|--------|------|------|------|---------|-----|------|---------------------------|
|              |        |      |      |      | lbs.    | kg  |      |                           |
| MOA-P101-JH  | 12V DC | 1800 | 1/16 | 0,05 | 5.3     | 2,4 | 6.8  | ----                      |
| MOA-P101-JK  | 24V DC | 1800 | 1/16 | 0,05 | 5.3     | 2,4 | 3.2  | ----                      |
| MOA-P126-JK  | 24V DC | 1800 | 1/16 | 0,05 | 5.3     | 2,4 | 3.2  | ----                      |
| MOA-P101-KH  | 12V DC | 3000 | 1/8  | 0,09 | 5.3     | 2,4 | 12.2 | ----                      |

SOUND LEVEL Less than 70 dB(A) (P101-KH 69-76 dB(A))  
 NORMAL AMBIENT +5 degC - +40 degC  
 RELATIVE HUMIDITY 20% - 80%  
 ENVIRONMENT Clean Dust Free

NOTES:

1. ALL DIMENSIONS ARE FOR REFERENCE USE ONLY.
2. PRODUCT DIMENSIONS: U.S. IMPERIAL (inches) METRIC (mm).
3. \* = TECHNICAL DATA SUBJECT TO CHANGE WITHOUT NOTICE.
4. THESE MODELS REQUIRE ADDITIONAL CAPACITANCE TO BE APPLIED TO THE ELECTRICAL INPUT IN ORDER TO COMPLY WITH THE EU EMC DIRECTIVE. SEE SHEET 2 OF 2.

PRODUCT PERFORMANCE





GAST MANUFACTURING, INC.  
A Unit of IDEX Corporation  
Post Office Box 97  
Benton Harbor, Michigan  
Ph: 269/926-6171  
Fax: 269/925-8288

PART NUMBER:  
RTD156  
SHEET 2 of 2

REV.  
E

MOA-P101-JH = 2x 0.47 mfd  
MOA-P101-KH = 2x 0.47 mfd

MOA-P101-JK = 1x 0.47 mfd  
MOA-P126-JK = 1x 0.47 mfd

