

OIL-LESS DIAPHRAGM VACUUM PUMPS & COMPRESSORS

OPERATION & MAINTENANCE MANUAL



Model DOA Shown



Model DAA Shown

Thank you for purchasing this Gast product. It is manufactured to the highest standards using quality materials. Please follow all recommended maintenance, operational and safety instructions and you will receive years of trouble free service.



WARNING



PLEASE READ THIS MANUAL COMPLETELY BEFORE INSTALLING AND USING THIS PRODUCT. SAVE THIS MANUAL FOR FUTURE REFERENCE AND KEEP IN THE VICINITY OF THE PRODUCT

Product Use Criteria:

- Pump only clean, dry air.
- Operate at 32°F - 104°F (0°C - 40°C).
- Protect unit from dirt & moisture.
- Do not pump flammable or explosive gases or use in an atmosphere that contains such gases.
- Protect all surrounding items from exhaust air. This exhaust air can become very hot.
- Corrosive gases and particulate material will damage unit. Water vapor, oil-based contaminants or other liquids must be filtered out.
- Consult your Gast Distributor/Representative before using at high altitudes.
- This pump is oil-less and requires NO lubrication.
- Pressure units may be used for both pressure and vacuum. Consult your Gast Distributor/Representative to use vacuum units for pressure.



A Unit of **INEX** Corporation

ISO 9001 & 14001 CERTIFIED

Your safety and the safety of others is extremely important.

We have provided many important safety messages in this manual and on your product. Always read and obey all safety messages.



This is the safety alert symbol. This symbol alerts you to hazards that can kill or hurt you and others. The safety alert symbol and the words "DANGER" and "WARNING" will precede all safety messages. These words mean:



DANGER

You will be killed or seriously injured if you don't follow instructions.



WARNING

You can be killed or seriously injured if you don't follow instructions.

All safety messages will identify the hazard, tell you how to reduce the chance of injury, and tell you what can happen if the safety instructions are not followed.

INSTALLATION



WARNING



Electrical Shock Hazard

Disconnect electrical power at the circuit breaker or fuse box before installing this product.

Install this product where it will not come into contact with water or other liquids.

Install this product where it will be weather protected.

Electrically ground this product.

Failure to follow these instructions can result in death, fire or electrical shock.

Correct installation is your responsibility. Make sure you have the proper installation conditions and that installation clearances do not block air flow.

Blocking air flow over the product in any way can cause the product to overheat.

Mounting

This product can be installed in any orientation. Mounting the product to a stable, rigid operating surface and using shock mounts will reduce noise and vibration.

Plumbing

Remove plugs from the IN and OUT ports. Connect with pipe and fittings that are the same size or larger than the product's threaded ports. Be sure to connect the intake and exhaust plumbing to the correct inlet and outlet ports. **Ports will not support the weight of the plumbing.**

Accessories

Filters and mufflers are supplied with some models. These should be checked periodically and replaced when necessary. Please consult your Gast Distributor/Representative for additional filter recommendations.

Install relief valves and gauges at inlet or outlet, or both, to monitor performance. Check valves may be required to prevent back streaming through the pump.

Motor Control

It is your responsibility to contact a qualified electrician and assure that the electrical installation is adequate and in conformance with all national and local codes and ordinances. The metal capacitor shell must be grounded.

Determine the correct overload setting required to protect the motor (see motor starter manufacturer's recommendations). Select fuses, motor protective switches or thermal protective switches to provide protection. Fuses act as short circuit protection for the motor, not as protection against overload. Incoming line fuses must be able to withstand the motor's starting current. Motor starters with thermal magnetic overload or circuit breakers protect motor from overload or reduced voltage conditions.

The wiring diagram supplied with the product provides required electrical information. Check that power source is correct to properly operate the dual-voltage motors.

Electrical Connection



WARNING



Electrical Shock Hazard

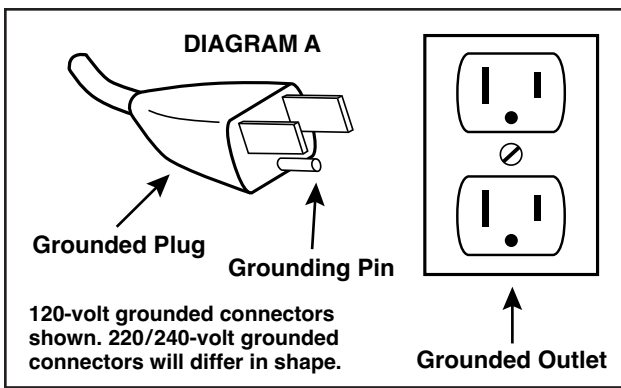
This product must be properly grounded.

Do not modify the plug provided. If it will not fill the outlet, have the proper outlet installed by a qualified electrician.

If repair or replacement of the cord or plug is necessary, do not connect the grounding wire to either flat blade terminal. The wire with insulation that is green with or without yellow stripes is the grounding wire.

Check the condition of the power supply wiring. Do not permanently connect this product to wiring that is not in good condition or is inadequate for the requirements of this product.

Failure to follow these instructions can result in death, fire or electrical shock.



Model with a power supply cord:

This product must be grounded. For either 120-volt or 220/240-volt circuits connect power supply cord grounding plug to a matching grounded outlet. Do not use an adapter. (See DIAGRAM A)

In the event of an electrical short circuit, grounding reduces the risk of electric shock by providing an escape wire for the electric current. This product may be equipped with a power supply cord having a grounding wire with an appropriate grounding plug. The plug must be plugged into an outlet that is properly installed and grounded in accordance with all local codes and ordinances.

Check with a qualified electrician or serviceman if the grounding instructions are not completely understood, or if you are not sure whether the product is properly grounded. Do not modify the plug provided. If it will not fit the outlet, have the proper outlet installed by a qualified electrician.

Model that is permanently wired:

This product must be connected to a grounded, metallic, permanent wiring system, or an equipment grounding terminal or lead on the product.

Power supply wiring must conform to all required safety codes and be installed by a qualified person. Check that supply voltage agrees with that listed on product nameplate.

In the event of an electrical short circuit, grounding reduces the risk of electric shock by providing an escape wire for the electric current. This product may be equipped with a power supply cord having a grounding wire with an appropriate grounding plug. The plug must be plugged into an outlet that is properly installed and grounded in accordance with all local codes and ordinances.

Extension cords:

Use only a 3-wire extension cord that has a 3-blade grounding plug. Connect extension cord plug to a matching 3-slot receptacle. Do not use an adapter. Make sure your extension cord is in good condition. Check that the gage wire of the extension cord is the correct size wire to carry the current this product will draw.

An undersized cord is a potential fire hazard, and will cause a drop in line voltage resulting in loss of power causing the product to overheat. The following table indicates the correct size cord for length required and the ampere rating listed on the product nameplate. **If in doubt, use the next heavier gage cord. The smaller the gage number, the heavier the wire gage.**

-Minimum gage for extension cords

Amps	Volts	Length of cord in feet									
		25	50	100	150	200	250	300	400	500	
	120v	25	50	100	150	200	250	300	400	500	
	240v	50	100	200	300	400	500	600	800	1000	
0-2		18	18	18	16	16	14	14	12	12	
2-3		18	18	16	14	14	12	12	10	10	
3-4		18	18	16	14	12	12	10	10	8	
4-5		18	18	14	12	12	10	10	8	8	
5-6		18	16	14	12	10	10	8	8	8	
6-8		18	16	12	10	10	8	6	6	6	
8-10		18	14	12	10	8	8	6	6	4	
10-12		16	14	10	8	8	6	6	4	4	
12-14		16	12	10	8	6	6	6	4	2	
14-16		16	12	10	8	6	6	4	4	2	
16-18		14	12	8	8	6	4	4	2	2	
18-20		14	12	8	6	6	4	4	2	2	

OPERATION



WARNING

Injury Hazard

Install proper safety guards as needed.
Use only recommended air handling parts acceptable for pressure not less than 70 psi.
Keep fingers and objects away from openings and rotating parts.
When provided, motor terminal covers must be in place for safe operation.
Product surfaces become very hot during operation, allow product surfaces to cool before handling.
Do NOT direct air stream at body. Air stream from product may contain solid or liquid material that can result in eye or skin damage, wear proper eye protection.
Do NOT spray flammable or combustible liquid.
Wear hearing protection. Sound level from motor may exceed 70 dBA.
Failure to follow these instructions can result in burns, eye injury or other serious injury.

It is your responsibility to operate this product at recommended pressures or vacuum duties and room ambient temperatures. Do not start against a vacuum or pressure load.

Start Up

If motor fails to start or slows down significantly under load, shut off and disconnect from power supply. Check that the voltage is correct for motor and that motor is turning in the proper direction.

MAINTENANCE



WARNING



Electrical Shock Hazard

Disconnect electrical power supply cord before performing maintenance on this product.

If product is hard wired into system, disconnect electrical power at the circuit breaker or fuse box before performing maintenance on this product.

Failure to follow these instructions can result in death, fire or electrical shock.



WARNING

Injury Hazard

Product surfaces become very hot during operation, allow product surfaces to cool before handling.

Do not direct air steam at body. Air stream from product may contain solid or liquid material that can result in eye or skin damage, wear proper eye protection.

Clean this product in a well ventilated area.

Failure to follow these instructions can result in burns, eye injury or other serious injury.

It is your responsibility to:

- Regularly inspect and make necessary repairs to product in order to maintain proper operation.
- Make sure that pressure and vacuum is released from product before starting maintenance.

Check intake and exhaust filters after first 500 hours of operation. Clean filters and determine how frequently filters should be checked during future operation. This one procedure will help to assure the product's performance and service life.



WARNING



Solvent Stream

May contain solid or liquid material that can result in eye or skin damage.

Wear eye protection when using this product.

Solvent Cleaning

Use only Gast recommended Solvent or other non-petroleum based solvent. Do Not use kerosene or ANY other combustible solvent to clean product.

1. Remove the four bolts holding the head on.
2. Remove filters and clean with Gast recommended solvent or other non-petroleum based solvent. Use compressed air to dry filters and make sure that all moisture is removed. Reinstall filters in head, set aside.

3. Check to see that the head gasket on the valve plate is not compromised in any way, remove from valve plate, and set aside for reinstallation after cleaning valve plate.
4. Gently remove valve plate from body of unit (CAUTION: DO NOT LOSE THE SHIM WASHERS THAT ARE UNDER EACH CORNER BOLT HOLE BETWEEN THE VALVE PLATE AND BODY. THEY MUST GO BACK BETWEEN THE VALVE PLATE AND BODY EXACTLY AS THEY CAME OUT). Clean the valve plate with soap and water and carefully blow off with compressed air.
5. Reinstall shim washers at each bolt hole on the body and carefully reinstall valve plate over the pump body.
6. Reinstall head gasket on the valve plate, place head over valve plate, install four bolts to hold assembly to body. Torque each bolt in a cross pattern to 90-100 in. lbs.

Check that all external accessories such as relief valves and gauges are attached to cover and are not damaged before re-operating product.

SHUTDOWN PROCEDURES

It is your responsibility to follow proper shutdown procedures to prevent product damage. Store pump indoors. Do Not expose to wet weather conditions. NEVER ADD OIL TO THIS OIL-LESS PUMP.

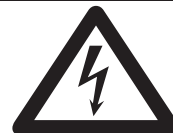
Proper shutdown procedures must be followed to prevent pump damage. Failure to do so may result in premature pump failure. Gast Manufacturing Rocking Piston Oil-Less pumps are constructed of ferrous metals or aluminum which are subject to rust and corrosion when pumping condensable vapors such as water. Follow the to assure correct storage and shutdown between operating periods.

1. Disconnect plumbing.
2. Operate product for at least 5 minutes without plumbing.
3. Run at maximum vacuum for 10-15 minutes.
4. Repeat step 2.
5. Disconnect power supply.
6. Plug open ports to prevent dirt or other contaminants from entering product.

SERVICE KIT INSTALLATION



WARNING



Electrical Shock Hazard

Disconnect electrical power supply cord before installing service kit.

If product is hard wired into system, disconnect electrical power at the circuit breaker or fuse box before installing service kit.

Disconnect air supply and vent all air lines to release pressure or vacuum.

Failure to follow these instructions can result in death, fire or electrical shock.

Gast will NOT guarantee field-rebuilt product performance. For performance guarantee, the product must be returned to a Gast Authorized Service Facility.

Service Kit contents vary. Most contain gaskets and filter parts.

1. Put on eye protection.
2. Disconnect electrical power to pump.
3. Disconnect air supply and vent all air lines to release pressure or vacuum.
4. Remove the socket cap screws from the head of the pump. Remove the head and valveplate from the pump. (Caution: Do not lose the shim washers that are at each corner between the valveplate and body of the unit. Upon reinstallation, these shims must be put back in the same position they were taken from to maintain proper had clearances.

Replacing Diaphragm

1. Remove the two Phillips-head screws then the retainer plate and diaphragm.
2. Install the new diaphragm in any position onto the connecting rod.
3. Replace the retainer plate and attach with two screws. Torque the screws to 30 in. lbs.

Replacing Inlet and Outlet Valves

1. Remove the slotted machine screw that holds each valve in place.
2. Clean the stainless steel valves with water. Valves are interchangeable.
3. Replace both valves or install new valves making sure that the valves completely cover the raised valve seat. Check that the notch marked on the inlet valve is in the lower right hand corner towards the inlet of the air chamber.
4. Replace the head on the pump. Torque the socket cap screws to 90-100 in. lbs.

Do Not replace the connecting rod or motor bearings.

Check that all external accessories such as relief valves and gauges are attached to cover and are not damaged before re-operating product.

If pump still does not produce proper vacuum or pressure, send unit to a Gast Authorized Service Facility for repair.

WARRANTY

Gast finished products, when properly installed and operated under normal conditions of use, are warranted by Gast to be free from defects in material and workmanship for a period of twelve (12) months from the date of purchase from Gast or an authorized Gast Representative or Distributor. In order to obtain performance under this warranty, the buyer must promptly (in no event later than thirty (30) days after discovery of the defect) give written notice of the defect to Gast Manufacturing Incorporated, PO Box 97, Benton Harbor Michigan USA 49023-0097 or an authorized Service Center (unless specifically agreed upon in writing signed by both parties or specified in writing as part of a Gast OEM Quotation). Buyer is responsible for freight charges both to and from Gast in all cases.

This warranty does not apply to electric motors, electrical controls, and gasoline engines not supplied by Gast. Gast's warranties also do not extend to any goods or parts which have been subjected to misuse, lack of maintenance, neglect, damage by accident or transit damage.

THIS EXPRESS WARRANTY EXCLUDES ALL OTHER WARRANTIES OR REPRESENTATIONS EXPRESSED OR IMPLIED BY ANY LITERATURE, DATA, OR PERSON. GAST'S MAXIMUM LIABILITY UNDER THIS EXCLUSIVE REMEDY SHALL NEVER EXCEED THE COST OF THE SUBJECT PRODUCT AND GAST RESERVES THE RIGHT, AT ITS SOLE DISCRETION, TO REFUND THE PURCHASE PRICE IN LIEU OF REPAIR OR REPLACEMENT.

GAST WILL NOT BE RESPONSIBLE OR LIABLE FOR INDIRECT OR CONSEQUENTIAL DAMAGES OF ANY KIND, however arising, including but not limited to those for use of any products, loss of time, inconvenience, lost profit, labor charges, or other incidental or consequential damages with respect to persons, business, or property, whether as a result of breach of warranty, negligence or otherwise. Notwithstanding any other provision of this warranty, BUYER'S REMEDY AGAINST GAST FOR GOODS SUPPLIED OR FOR NON-DELIVERED GOODS OR FAILURE TO FURNISH GOODS, WHETHER OR NOT BASED ON NEGLIGENCE, STRICT LIABILITY OR BREACH OF EXPRESS OR IMPLIED WARRANTY IS LIMITED SOLELY, AT GAST'S OPTION, TO REPLACEMENT OF OR CURE OF SUCH NONCONFORMING OR NON-DELIVERED GOODS OR RETURN OF THE PURCHASE PRICE FOR SUCH GOODS AND IN NO EVENT SHALL EXCEED THE PRICE OR CHARGE FOR SUCH GOODS. GAST EXPRESSLY DISCLAIMS ANY WARRANTY OF MERCHANTABILITY OR FITNESS FOR A PARTICULAR USE OR PURPOSE WITH RESPECT TO THE GOODS SOLD. THERE ARE NO WARRANTIES WHICH EXTEND BEYOND THE DESCRIPTIONS SET FORTH IN THIS WARRANTY, notwithstanding any knowledge of Gast regarding the use or uses intended to be made of goods, proposed changes or additions to goods, or any assistance or suggestions that may have been made by Gast personnel.

Unauthorized extensions of warranties by the customer shall remain the customer's responsibility.

CUSTOMER IS RESPONSIBLE FOR DETERMINING THE SUITABILITY OF GAST PRODUCTS FOR CUSTOMER'S USE OR RESALE, OR FOR INCORPORATING THEM INTO OBJECTS OR APPLICATIONS WHICH CUSTOMER DESIGNS, ASSEMBLES, CONSTRUCTS OR MANUFACTURES.

This warranty can be modified only by authorized Gast personnel by signing a specific, written description of any modifications.

PARTS & ORDERING INFORMATION

Please reference the exploded views on the next page for the following model and parts table.

DAA / DOA / DOL SERIES

REF	DESCRIPTION	QTY	DOA-P701-AA DOL-701-AA DOA-P501-BN DOA-P501-JH	DAA-P501-EB* DAA-V701-EB*
1	HEAD	1	AP500	AP500
		2		
2 Δ	HEAD O-RING	1	AP513	AP513
		2		
3 Δ	FILTER/MUFFLER ELEMENT	2	AT712A	AT712A
		4		
4 Δ	VALVE LIMITER	1	AP110	AP110
		2		
5 Δ	LEAF VALVE	2	AF817	AF817
		4		
6	VALVE PLATE	1	AP504	AP504
		2		
7 Δ	VALVE RETAINER	1	AF819A	AF819A
		2		
8 Δ	VALVE SCREW	1	BB330A	BB330A
		2		
9	RETAINER PLATE	1	AF809	AF809
		2		
10	DIAPHRAGM-COMPRESSOR	1	AF818A	AF818A
		2		
10	DIAPHRAGM-VACUUM	1	AF818B	AF818B
		2		
11	FELT SPACER	3	AA929	AA929
		3		
12	SPACER	1	AD996	AD996
		2		
13	FAN - DOA, DOL FAN - DAA	1	AF533	AF533 AF533A
		1		
14	GRILLE	1	AF807	AF807
		2		
15	RIVET	4	AP534	AP534
		8		
16	VALVE PLATE ASSEMBLY	1	AP519	AP519
		2		
17	CRANKCASE COVER	1	AP526	AP526
		2		
18	CRANKCASE COVER SCREW	2	AP525	AP525
		4		
***	SERVICE KIT	1	K294A	K294A
		2		

* DOA shown. The double-ended DAA models (not illustrated) are two DOAs mounted back to back with heads rotated.

*** Item not shown.

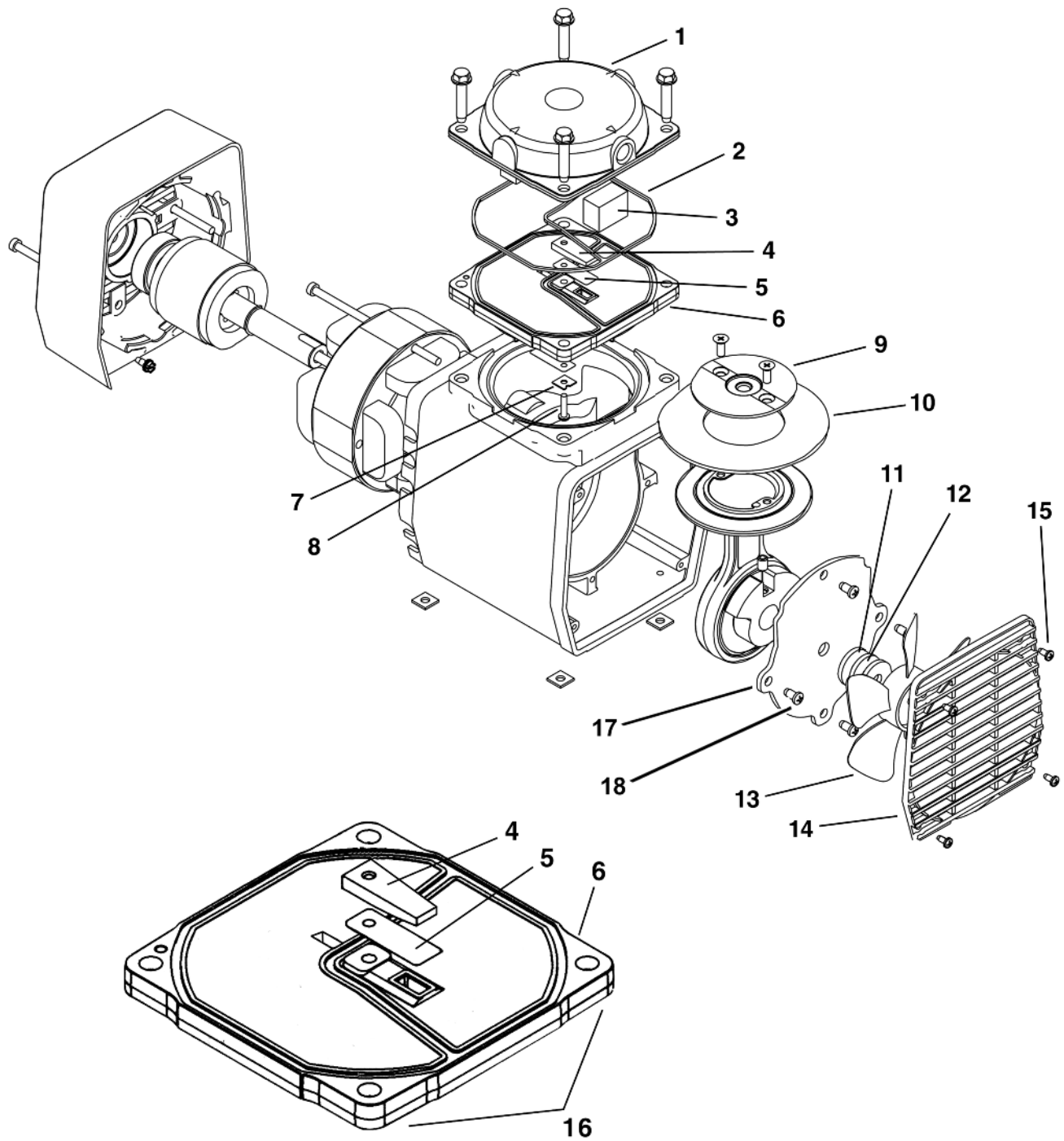
Δ Denotes parts included in the Service Kit.

Δ The service kit may contain parts for more than one model or style diaphragm pump.

Parts not needed may be discarded.

Parts listed are for stock models. For specific OEM models, please consult the factory.
When corresponding or ordering parts, please give complete model and serial numbers.

EXPLODED PRODUCT VIEWS - MODEL DOA & VALVE PLATE ASSEMBLY



Valve Plate Assembly (available separately)
(Valve Plate Assembly also includes items 7 & 8,
as shown in the main exploded view)

TROUBLESHOOTING CHART

Low		High		Pump Overheat	Motor Overload	Excess Noise	Reason and remedy for problem.
Vacuum	Pressure	Vacuum	Pressure				
.	.	At Pump					Filter dirty. Clean or replace.
.	.		At pump				Muffler dirty. Clean or replace.
.	.						Valves dirty or valves bent. Clean or replace.
			.				Relief valve set too high. Inspect and adjust.
.	.						Relief valve set too low. Inspect and adjust.
.	.	At pump	At pump				Plugged vacuum/pressure line. Inspect and repair.
.		At pump					Collapsed vacuum line. Inspect and repair.
				.	.		Low voltage, won't start. Check power source.
				.	.	.	Voltage wrong. Check power source.
				.		.	Cylinder misadjustment. Realign.
.	.						Leaky hose or check valve. Replace.
.	Dirt or liquid on top of piston. Inspect and clean.
.	.			.	.		Motor not wired correctly. Check wiring diagram/line voltage.
.	.					.	Blown head gasket. Replace.



Head Office: Stig Wahlström Automatik AB | Phone: +46 8 620 33 20 | Box 64 | SE-123 22 Farsta | Sweden
Visiting address | Mårbackagatan 27

Gävle office/ Warehouse: Stig Wahlström Automatik AB | Phone: +46 26 188 100 | SE-802 91 Gävle | Sweden
Visiting address | Rålsгатan 6A |



A Unit of **IMEX** Corporation

ISO 9001 & 14001 CERTIFIED