

PRODUCT SPECIFICATION

GAST

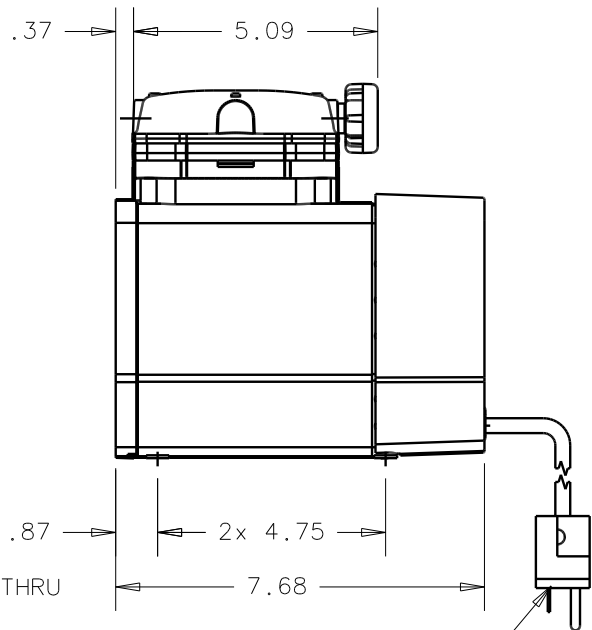
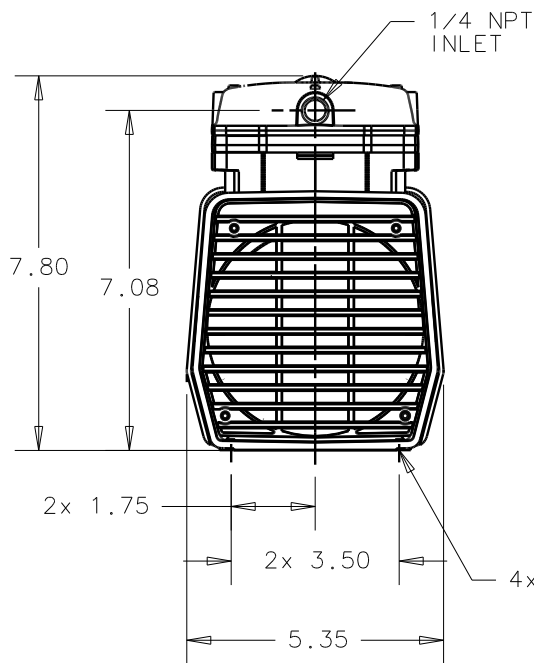
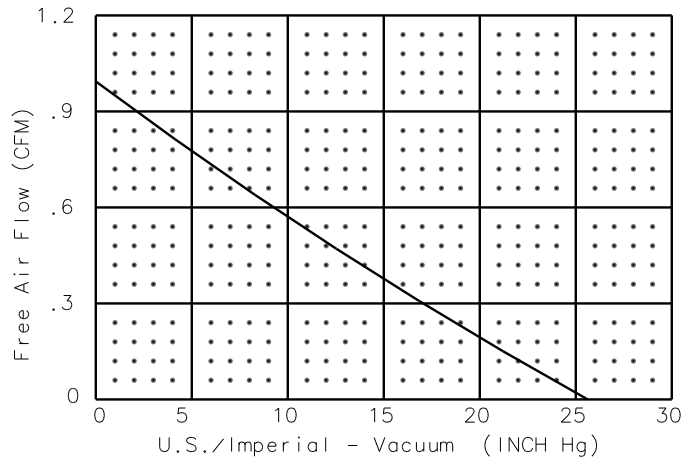
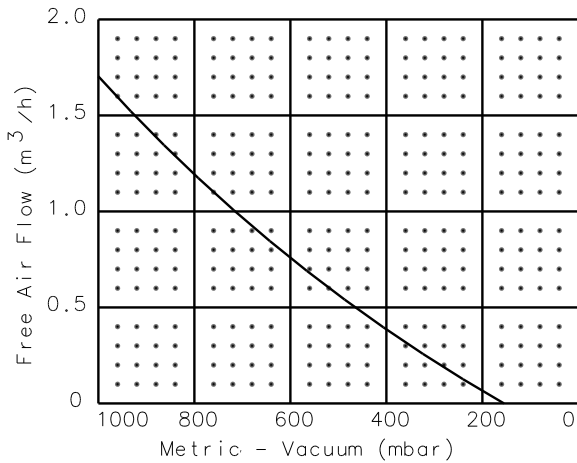
A UNIT OF **DEX** CORPORATION
BENTON HARBOR, MI U.S.A.

1575	<70 dB(A)	+5 °C	20% - 80%	14.38 LBS. 6.54 kg.
V	HP	kW	Hz	A
230	1/8	0.09	60	1.8

PART NUMBER	REV.
RTD794	C
MODEL NO. DOA-V702-AC	

NOTES:

1. ALL DIMENSIONS ARE FOR REF. USE ONLY.
2. PRODUCT DIMENSIONS: U.S. IMPERIAL (inches).
3. TECHNICAL DATA SUBJECT TO CHANGE WITHOUT NOTICE.
4. ENVIRONMENT: CLEAN DUST FREE.



6 FT. CORD AND PUG ASM.