



GAST MANUFACTURING, INC.  
 A Unit of DEX Corporation  
 Post Office Box 97  
 Benton Harbor, Michigan  
 Ph: 269/926-6171  
 Fax: 269/925-8288

PART NO.

RTD964  
 (SHT 1 of 2)

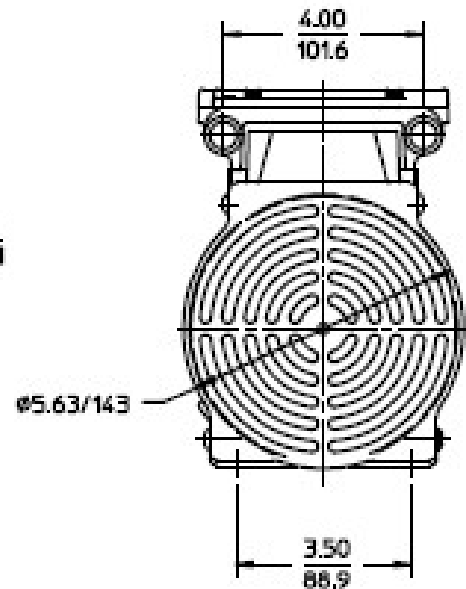
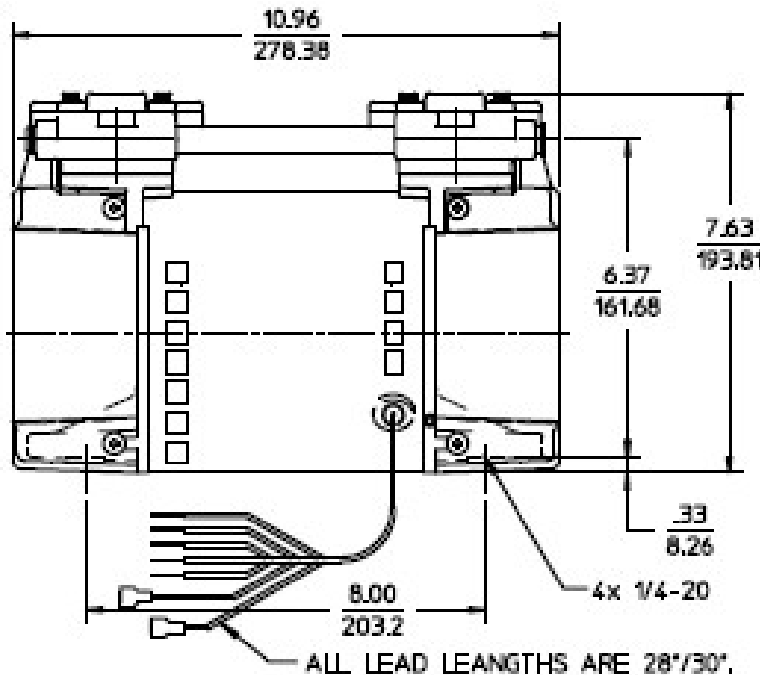
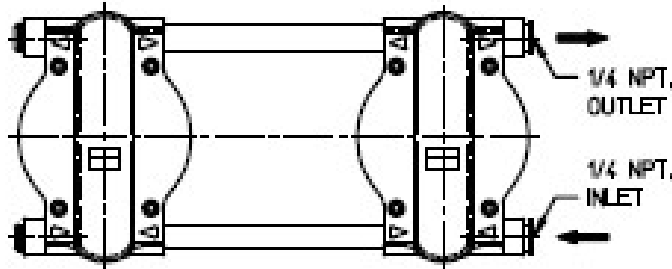
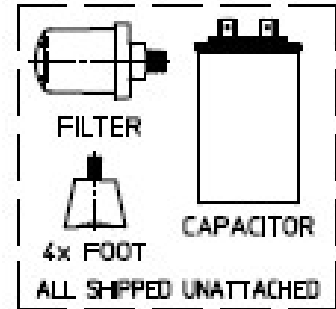
REV.

B

SOUND LEVEL	Less Than 70 dB(A)
NORMAL AMBIENT	+5 degC - +40 degC
RELATIVE HUMIDITY	20% - 80%
ENVIRONMENT	Clean Dust Free
REGULATORY	cURus, CE

NOTES:

1. ALL DIMENSIONS ARE FOR REFERENCE USE ONLY.
2. PRODUCT DIMENSIONS: U.S. IMPERIAL (Inches) METRIC (mm).
3. \* - TECHNICAL DATA SUBJECT TO CHANGE WITHOUT NOTICE.
4. INSTALLATION: THIS PUMP MUST BE INSTALLED IN AN ENCLOSURE.
5. INCLUDES AN ELECTRICAL PARTS KIT, AND A CAPACITOR MTG. KIT.



Product Specifications

Model Number	VOLTS (SINGLE PHASE ONLY)	Hz	RPM	HP	kW	Net Wt.		AMPS	CAPACITOR mfd. - volts
						lbs.	kg		
72R655-P193A-N570X	115-120 / 230-240	60	1725	3/4	.56	16	7.3	7.9/4.0	45 - 370
	110-120 / 220-240	50	1425					7.7/4.0	



GAST MANUFACTURING, INC.  
A Unit of DEX Corporation  
Post Office Box 97  
Benton Harbor, Michigan  
Ph: 269/926-6171  
Fax: 269/925-8288

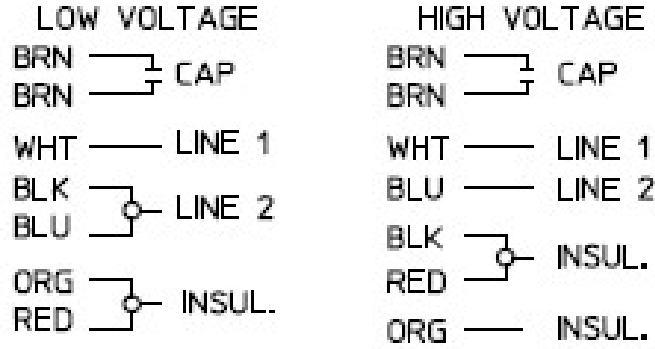
PART NO.

RTD964  
(SHT 2 of 2)

REV.

B

### WIRING DIAGRAM



### Product Performance

