



GAST MANUFACTURING, INC.
 A Unit of DEX Corporation
 Post Office Box 97
 Benton Harbor, Michigan
 Ph: 269/926-6171
 Fax: 269/925-8288

PART NO.

RTD312

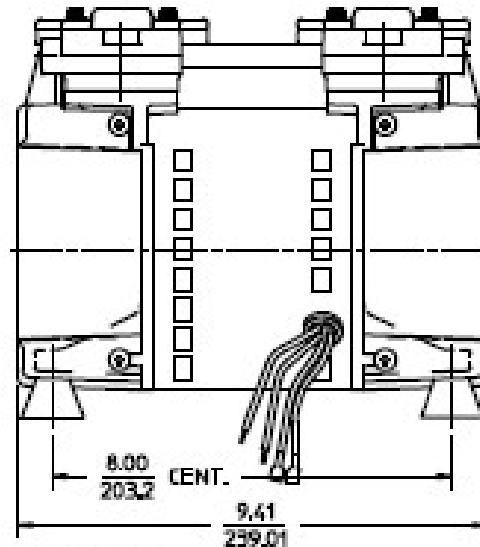
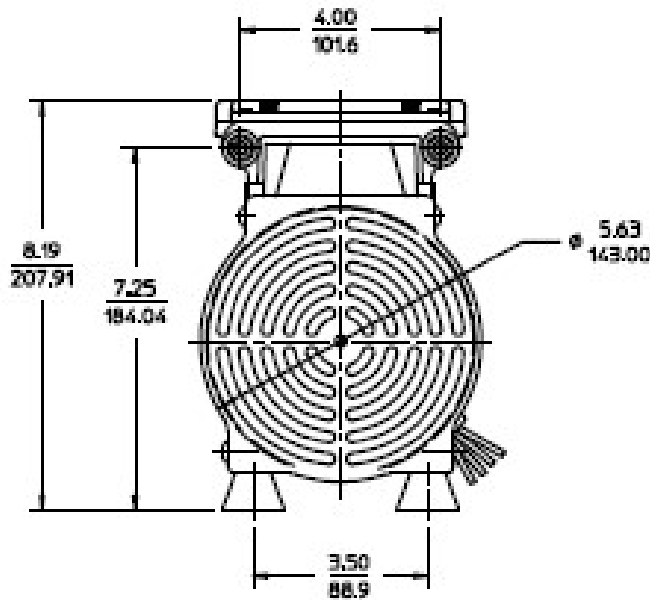
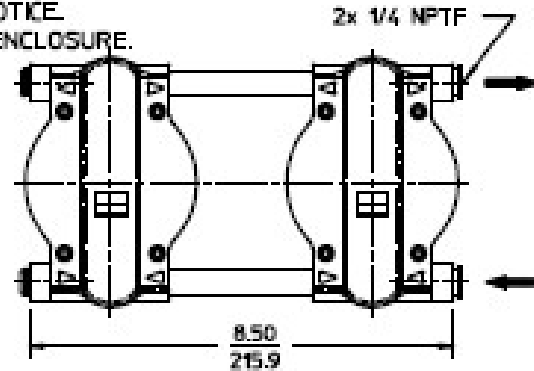
REV.

E

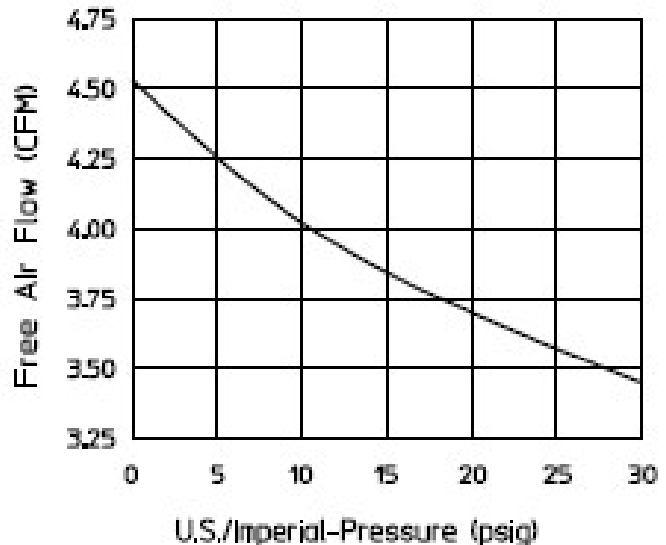
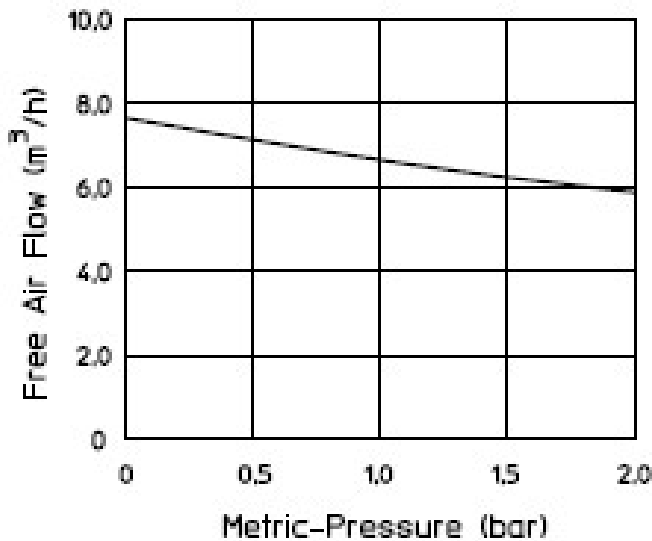
NOTES:

1. ALL DIMENSIONS ARE FOR REFERENCE USE ONLY.
2. PRODUCT DIMENSIONS: U.S. IMPERIAL (inches) METRIC (mm).
3. * - TECHNICAL DATA SUBJECT TO CHANGE WITHOUT NOTICE.
4. INSTALLATION: THIS PUMP MUST BE INSTALLED IN AN ENCLOSURE.

SOUND LEVEL	Less Than 70 dB(A)
NORMAL AMBIENT	+5 degC - +40 degC
RELATIVE HUMIDITY	20% - 80%
ENVIRONMENT	Clean Dust Free



Product Performance



Product Specifications

Model Number	Motor	RPM		HP	kW	Net Wt.		AMPS	CAPACITOR mfd. - volts
		60 cycle	50 cycle			lbs.	kg		
7R655-P112-D304X	Z20/240-1	---	1375	1/3	.25	16	7.3	2.4	10 - 370