



GAST MANUFACTURING, INC.  
 A Unit of DEX Corporation  
 Post Office Box 97  
 Benton Harbor, Michigan  
 Ph: 269/926-6171  
 Fax: 269/925-8288

PART NO.

RTD967

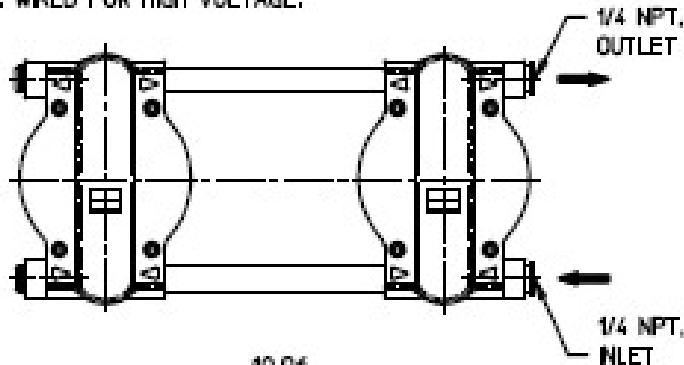
REV.

B

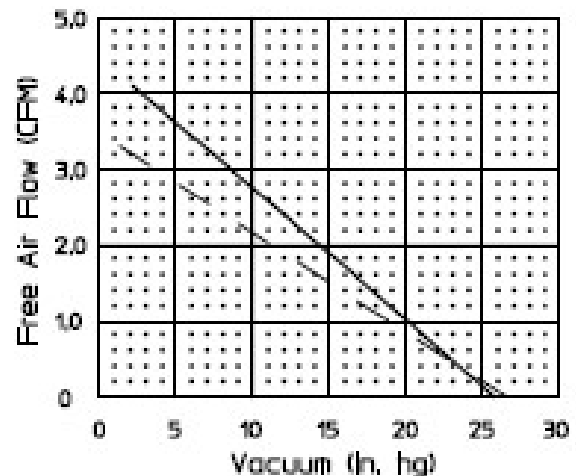
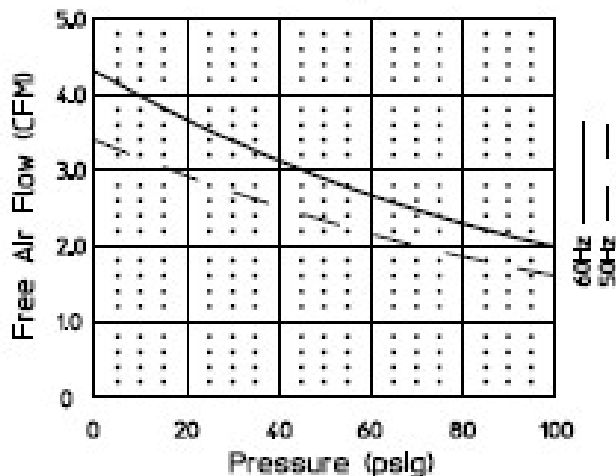
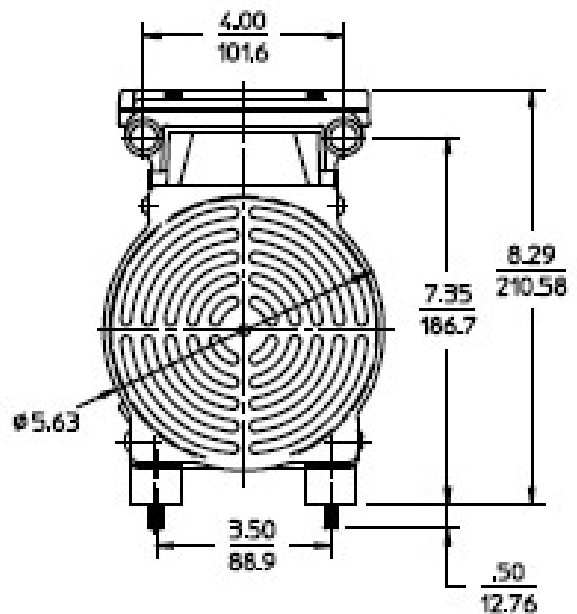
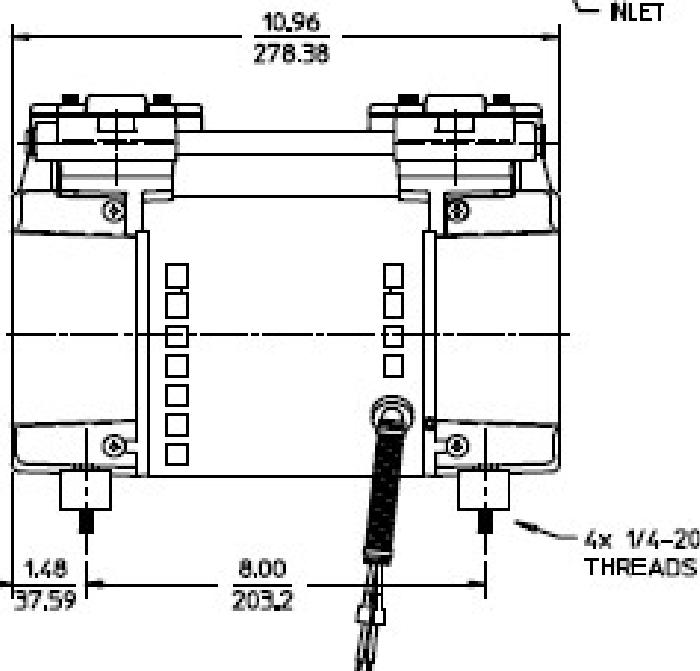
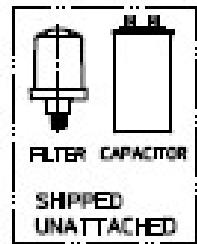
NOTES:

1. ALL DIMENSIONS ARE FOR REFERENCE USE ONLY.
2. PRODUCT DIMENSIONS: U.S. IMPERIAL (inches) METRIC (mm).
3. \* - TECHNICAL DATA SUBJECT TO CHANGE WITHOUT NOTICE.
4. INSTALLATION: THIS PUMP MUST BE INSTALLED IN AN ENCLOSURE.
5. INCLUDES AN ELECTRICAL PARTS KIT, AND A CAPACITOR MOUNTING KIT.
6. WIRED FOR HIGH VOLTAGE.

SOUND LEVEL	Less Than 70 dB(A)
NORMAL AMBIENT	+5 degC - +40 degC
RELATIVE HUMIDITY	20% - 80%
ENVIRONMENT	Clean Dust Free
REGULATORY	cURus, CE



LOW VOLTAGE		HIGH VOLTAGE	
BRN	— CAP	BRN	— CAP
WHT	— LINE 1	WHT	— LINE 1
BLK	— LINE 2	BLU	— LINE 2
BLU	— INSUL.	BLK	— INSUL.
ORG	— INSUL.	RED	— INSUL.
RED	— INSUL.	ORG	— INSUL.



Product Specifications

Model Number	VOLTS (SINGLE PHASE ONLY)	Hz	RPM	HP	kW	Net Wt.		AMPS	CAPACITOR mfd. - volts
						lbs.	kg		
71R650-P158-N570X	115-120 / 230-240	60	1725	3/4	.56	16	7.3	6.7/3.4	45 - 370
	110-120 / 220-240	50	1425					7.0/3.7	