



Post Office Box 97
 Benton Harbor, Michigan
 Ph: 269/926-6171
 Fax: 269/925-8288

PART NUMBER:

STD370A

REV.

A

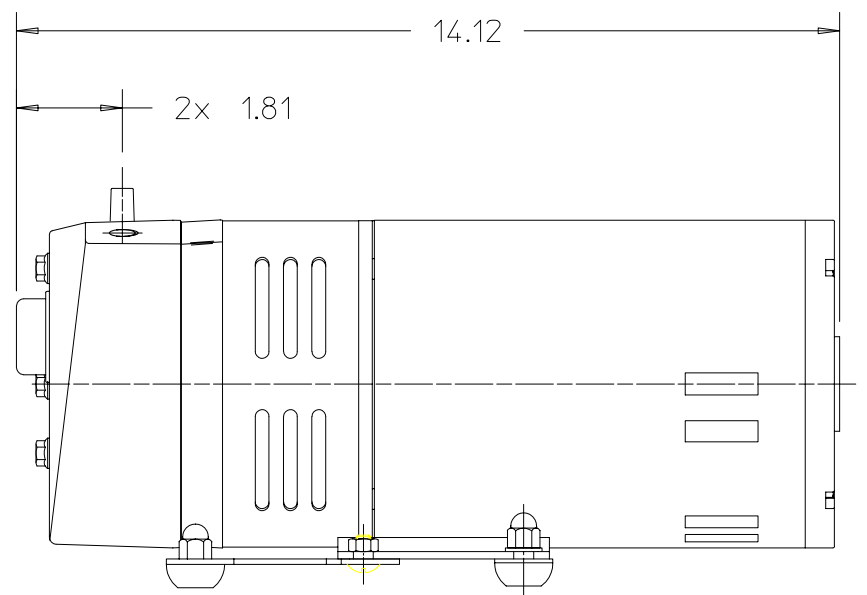
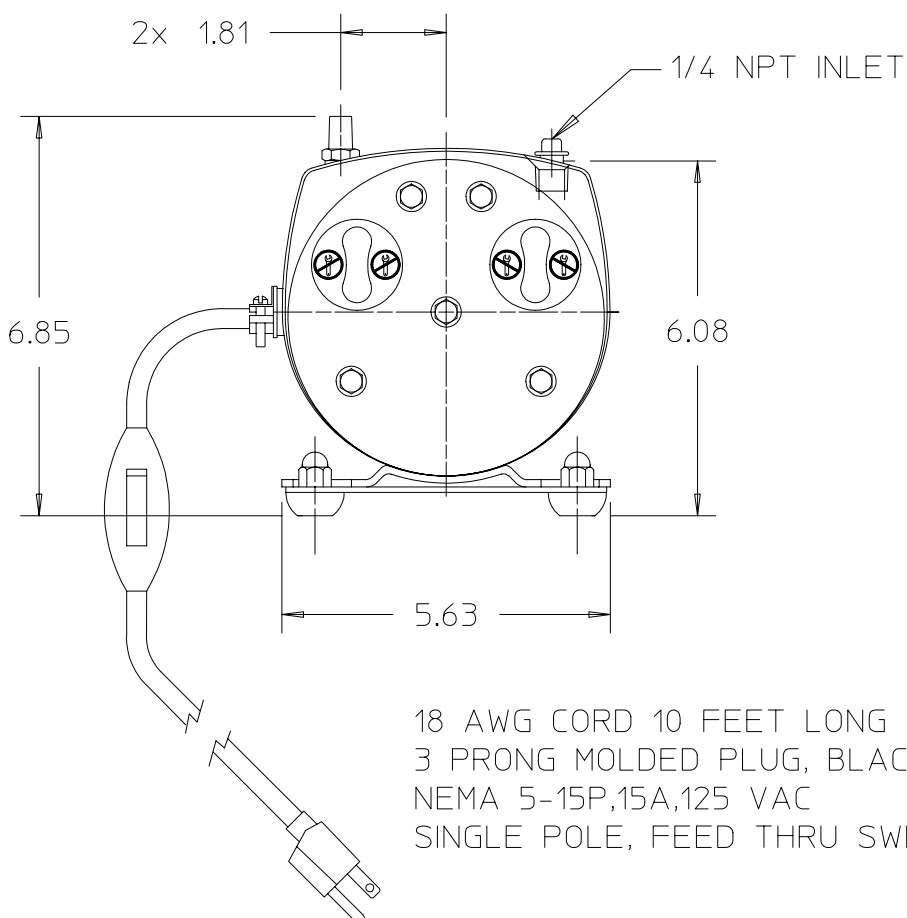
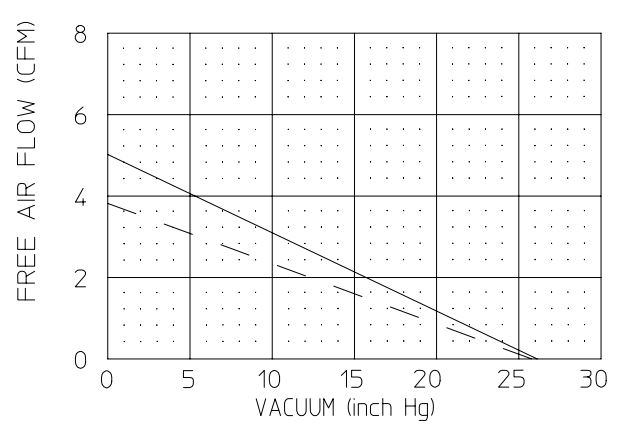
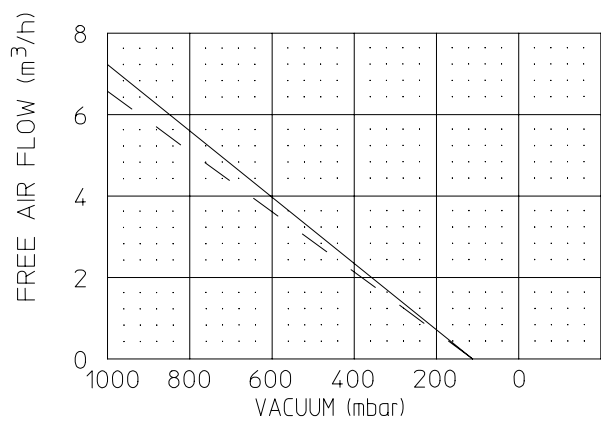
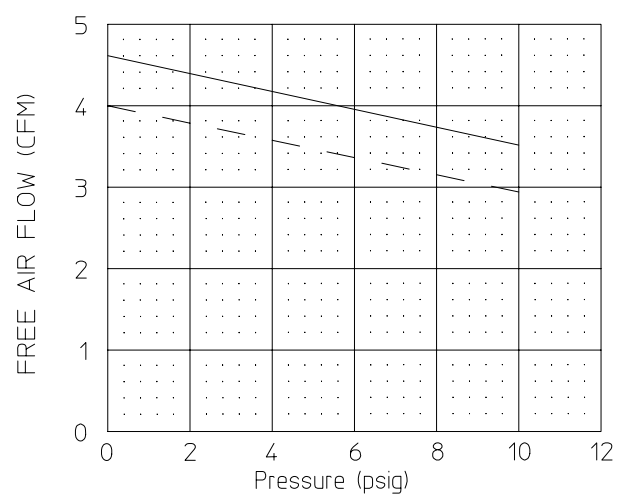
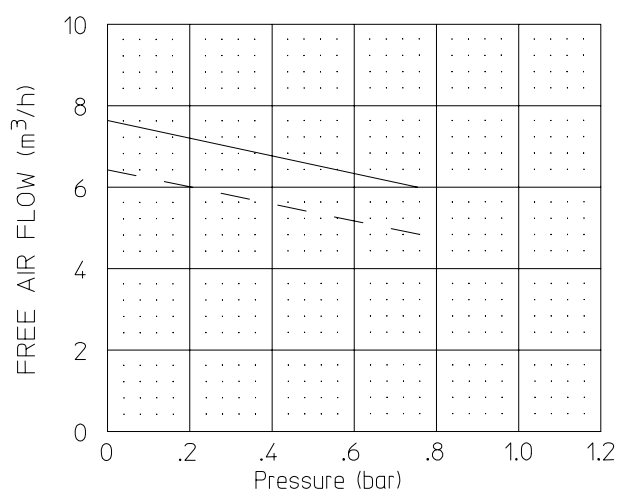
Product Specifications

Model Number	Motor Voltage	RPM		HP	kW	Net Wt.	
		60 cycle	50 cycle			lbs.	kg
0523-545Q-G588NDX	110-115/220-240	1725	1425	.25	0.18	30	13.6

SOUND LEVEL LESS THAN 70 dB(A)
 NORMAL AMBIENT 1°C. - 40°C.
 RELATIVE HUMIDITY 8% - 100% NON CONDENSING
 ENVIRONMENT CLEAN DUST FREE

NOTES:

- 1) TECHNICAL DATA SUBJECT TO CHANGE WITHOUT NOTICE.
- 2) DIMENSIONS ARE FOR REFERENCE ONLY.
- 3) DASHED LINE INDICATES 50 Hz. PERFORMANCE. SOLID LINE INDICATES 60 Hz. PERFORMANCE.



18 AWG CORD 10 FEET LONG
 3 PRONG MOLDED PLUG, BLACK
 NEMA 5-15P,15A,125 VAC
 SINGLE POLE, FEED THRU SWITCH